



SPECIFICATION GUIDE

Rev-A-Shelf was established in 1984 as the components manufacturer for Lazy Susan and has since become a market leading innovator of high quality cabinet storage and organizational products for every room in the house.

Over the past 40 years, we have introduced thousands of SKUs and expanded our product categories, while proudly maintaining our in-house design, assembly, and shipping. Over 350 dedicated employees collaborate daily across 525,000 square feet to produce the diverse range of products that Rev-A-Shelf confidently stands behind.



For overview and installation videos on many of our products visit: rev-a-shelf.com/videos



21/22 Specification Guide What's Inside

Introduction	2	Tall Pantry Solutions.....	172
Contents	3	Drawer Solutions.....	198
American Made	4	Wall Solutions	228
What's New	5	Vanity Solutions.....	250
Full Access Solutions	6	Closet Solutions.....	278
Walnut Solutions	8	Lazy Susan	347
Solid Bottom Solutions.....	10	Hardware	397
New/Improved Solutions	12	LED Lighting.....	406
Waste Solutions.....	36	Index.....	506
Blind Corner Solutions	74	Warranty/PROP 65/Terms	514
Sink Solutions.....	92	Homes for Our Troops.....	515
Base Solutions	117		





Proudly "Made In America" and manufactured and assembled in our two Kentucky facilities



Employing a local workforce of more than 400



America
Proud

Louisville based and family owned for three generations

WHAT'S NEW

PRODUCT CHART

We've simplified our product chart and added a couple of columns to help make your buying decisions easier.

Drawer Pullout w/ Euro Slides		
PRODUCT	DESCRIPTION	DIMS
4WDB-12	Pullout Drawer	11" (280 mm) W x 18-1/2" (470 mm) D x 5-5/8" (143 mm) H
4WDB-15	Pullout Drawer	14" (356 mm) W x 22-1/2" (572 mm) D x 5-5/8" (143 mm) H
Drawer Pullout w/ BLUMOTION Soft-Close		
4WDB4-18SC-1	Standard Drawer	14" (356 mm) W x 21-5/8" (549 mm) D x 4-7/8" (124 mm) H
4WDB7-18SC-1	Tall Drawer with dividers	14" (356 mm) W x 21-5/8" (549 mm) D x 8" (203 mm) H
4WDB4-24SC-1	Standard Drawer	20" (508 mm) W x 21-5/8" (549 mm) D x 4-7/8" (124 mm) H
4WDB7-24SC-1	Tall Drawer with dividers	20" (508 mm) W x 21-5/8" (549 mm) D x 8" (203 mm) H

	CAB	FIN
	B15	Ma
	B18	M

"CAB" = Typical Cabinet. We get it, professionals just want to know what size cabinet the product is designed for. So we've tried to identify the typical cabinet for each of our products.

"MCO" = Minimum Cabinet Opening. Our recommended minimum cabinet opening dimensions are based upon installation into 1.5" face frame cabinets. This is important because occasionally the width of the product is wider than the part of the product that pulls out of the cabinet.

MCO	
	12" (305 mm)
	15" (381 mm)

When both face frame and frameless typical cabinet recommendations are provided we have listed them as FF for face frame and FL for frameless (aka full access).

Note: unless otherwise noted, typical cabinet recommendations are based upon 1.5" face frame cabinet construction.

When both face frame and frameless dimensions are needed, we have listed them as FFMCO and FLMCO. The FF is for face frame and the FL for frameless (aka full access).










COLOR NUMBER CODE

White	11	Blue	22	Orange	20
Black	18	Gray	14	Yellow	21
Orion Gray	13	Champagne	12	Brown	10
Silver	17	Green	19		
Almond	15	Red	16		

WHAT DOES THIS MEAN?

You will notice that our charts contain columns that house MCO's and CAB's for that specific product. Below you will find a bank of what those letters mean.



FF Face Frame  a cabinet that has a fixed frame to the front of the cabinet.	FL Full Access (frameless)  a cabinet that allows full accessibility by eliminating the face frame of the cabinet.	FH Full Height  a cabinet without a drawer opening, using the whole height of the cabinet.	B Door/Drawer  a cabinet that has a drawer atop the cabinet opening	T Tall Cabinet  Tall/ Utility cabinets	W Wall Cabinet  a cabinet designed to be mounted above counter tops	SB Sink Base  a cabinet designed to be used with a sink	VB Vanity Base  a shorter depth cabinet designed to be used in a vanity or bathroom	BC Blind Corner  a cabinet that is in the corner of your kitchen
---	---	---	--	---	---	--	--	---



pg. 48



pg. 76



pg. 206



pg. 112



pg. 166



pg. 184



We're taking full access to new levels.

Over 140 SKU's designed specifically for full access cabinetry.

Full Access Pages:

Waste Containers:	48, 54, 56, 59, 66, 69
Blind Corner Accessories:	76, 78, 84, 85, 87
Sink Accessories:	111, 112
Base Accessories:	118, 150, 156, 158-163, 168, 170
Tall and Pantry Accessories:	184, 186
Drawer Accessories:	202-210
Vanity:	259, 277
Lazy Susans:	392





Walnut Utility Tray Inserts:
Page 214



Walnut Soft-Close Mxer Lift Kit:
Page 170



Walnut Cutlery Tray Inserts:
Page 216

We're going *nuts* about this stuff.

Dozens of walnut SKU's available.



Walnut Drawer Peg Systems:
Page 212



Walnut Double Knife Block Inserts:
Page 220

Walnut Spice Drawer Inserts:
Page 218



Walnut Top Mount Waste Containers:
Page 69



Walnut Bottom Mount Waste Containers:
Page 59



Walnut Blind Corner Optimizer:
Page 86



Solid bottoms with textured linen finish
and orion gray flat wire.

pages: 76, 84, 112, 158-163, 168, 184, 392

Gray solid bottoms with round chrome wire

pages: 78, 80, 84, 87, 158-163, 168, 186, 192

Maple solid bottoms with round chrome wire
pages: 878, 80, 84, 87, 112, 158-163, 168, 186, 192

We're bringing the latest
styles to the industry.

Proudly offering a wide range of colors and finishes.

PAPER TOWEL PULLOUT

AVAILABLE SPRING 2021!

blum

Clean-up your cleaning supplies with Rev-A-Shelf's 448PTH Series Base Organizer that lets you store everything in one easy to access pullout. The two configurations for 12" face frame or 9" full access feature a shelf for cleaning supplies, a trash bag compartment and a paper towel holder. Gliding on full-extension, TANDEM, 110 lb. rated concealed slides with BLUMOTION soft-close, the units are fully accessible. TSCA Title VI compliant, they door mount with our patented door mount brackets with 5" of adjustability and micro-trim adjuster for trouble-free installation on any door style. (US Patent No: 8,388,076)



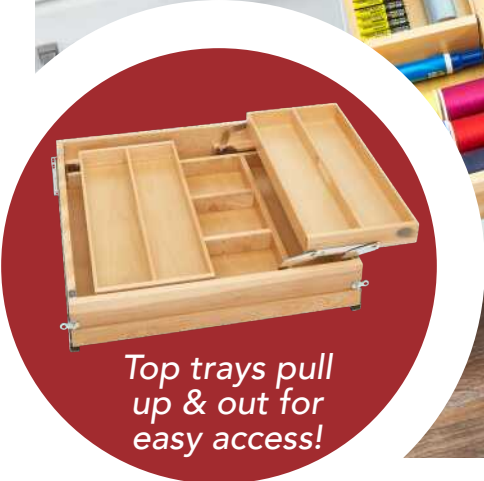
Patented door mount brackets with 5" of adjustability and micro-trim adjuster



Refillable paper towel holder!

AVAILABLE SPRING 2021!





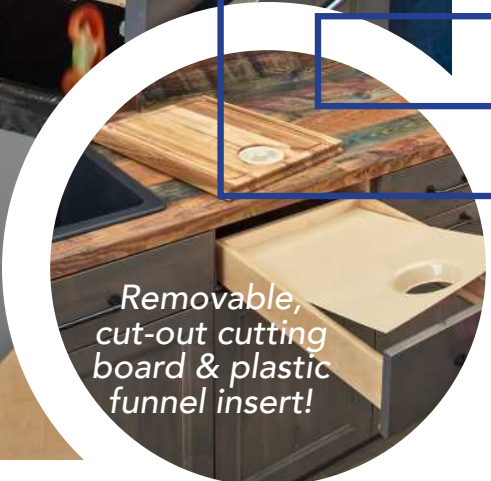
Top trays pull up & out for easy access!

THE MAXXXX DRAWER *blum*

Drawers flowing over and desperately need organization? Then look no further than the Maxx Drawer System. This one-of-a-kind drawer system, developed in collaboration with Cabinetworks Group, maximizes the available space within the drawer. The two upper sections pull up and away, for easy access to the items stored beneath. Adjustable dividers allow you to arrange your items any way you like. The 4WTMD Maxx Drawer is designed for 24" base cabinets and comes complete with 90lb. TANDEM slides with BLUMOTION soft-close and features natural maple construction. Just add a drawer front and take your drawer to the Maxx!



Comes with (8) short dividers, (5) long dividers and (26) clips for easy customazation!



Sanitary cap



CUT-OUT CUTTING BOARD DRAWER



Save a step and reduce your food preparation time with Rev-A-Shelf's 4WCCB Series. Designed for 18" base cabinet drawers, this easy-to-install drawer system features natural maple construction and 5/8" side walls, TANDEM slides with BLUMOTION soft-close and door mounting brackets. The wood cutting board comes with a sanitary cap and a unique cut-out with removable funnel insert that allows you to conveniently discard scraps directly into a waste container (waste container sold separately).

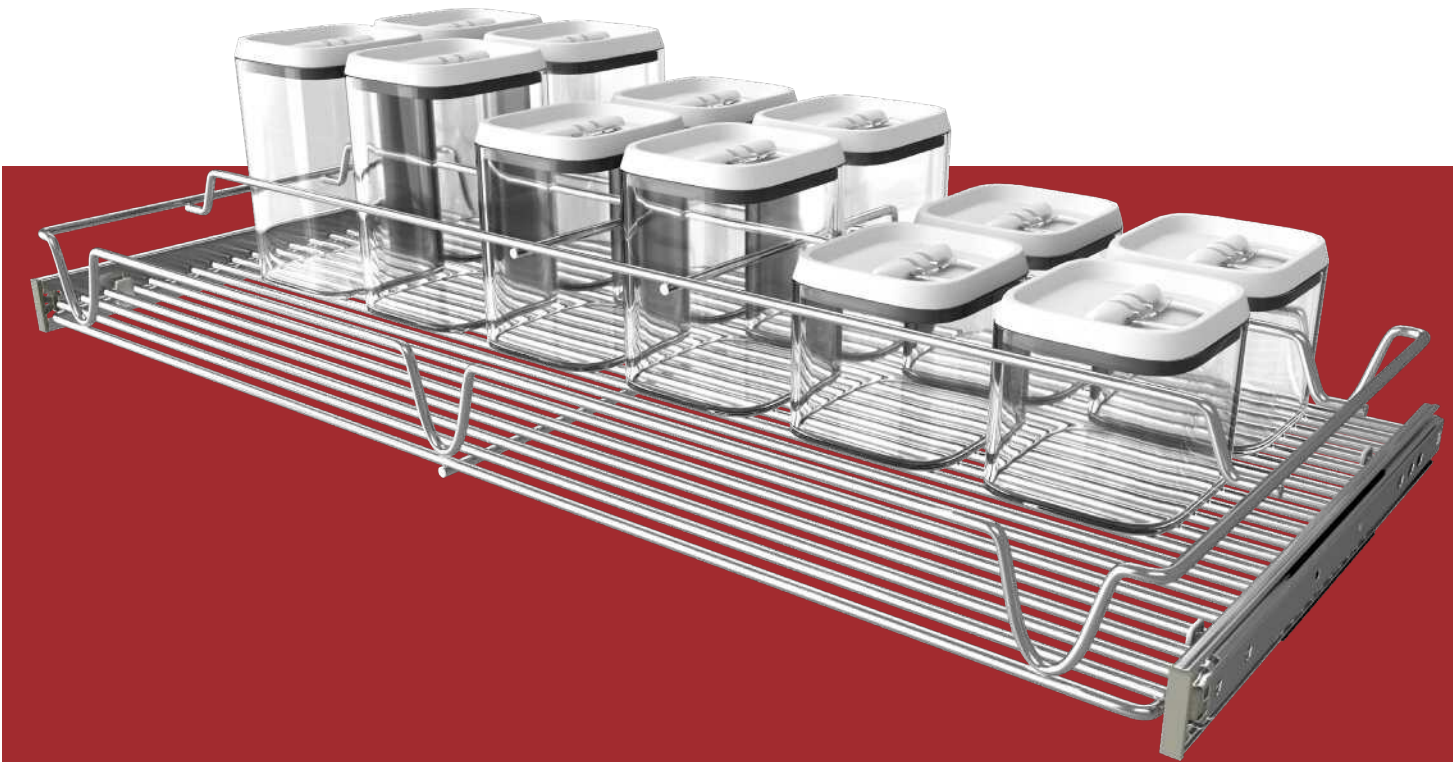
AVAILABLE SUMMER 2021!

Page 203

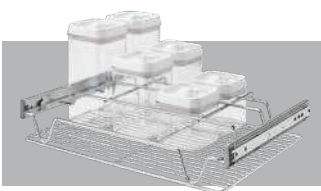


PANTRY SYSTEM CONTAINER ORGANIZER

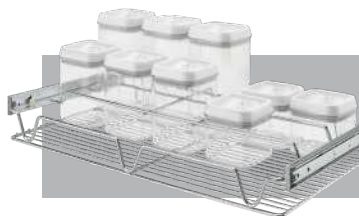
Looking for an easy access way to store sundries, then look no further than Rev-A-Shelf's 5WCOR storage rack. Complete with BPA-free durable, airtight acrylic containers with easy-open lids, this organizer is easy to install and fully accessible with full-extension, ball-bearing slides. Designed for full access 18", 24" or 30" pantry panel systems, they are the perfect addition to any pantry.



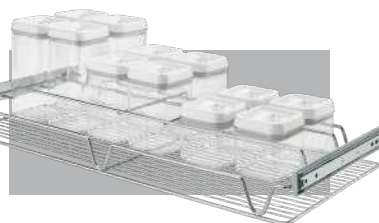
One storage container set includes: (1) small, (1) medium & (1) large



18"
**(2) Storage
container sets**



24"
**(3) Storage
container sets**



30"
**(4) Storage
container sets**



Additional containers
(sold separately)

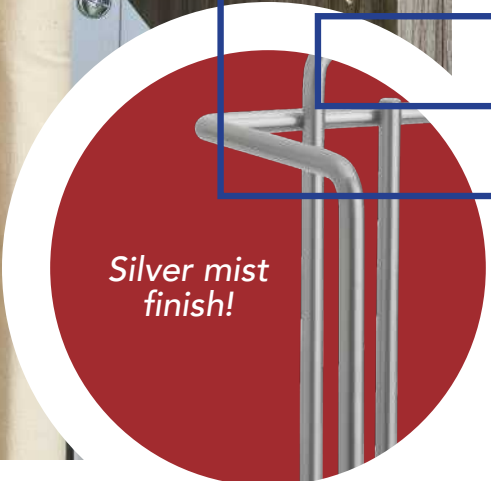
AVAILABLE SPRING 2021!



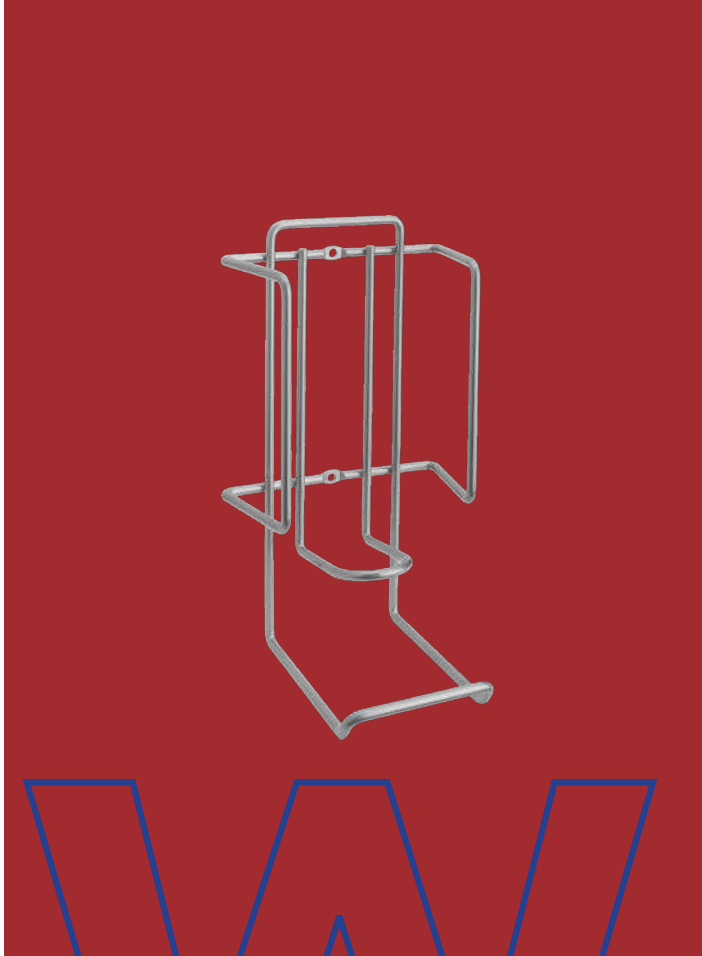
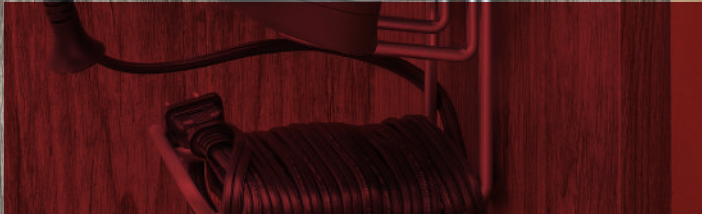


BLACK HAMPER PULLOUT

If laundry day is looming, fret no more with Sidelines by Rev-A-Shelf pullout hamper. Designed for 14" depths, it is available for 18", 24" and 30" closet cabinet openings and mounts easily with just four screws. The full-extension, 75 lb. rated, ball-bearing steel slides provide complete accessibility, and the removable 1.7 BU canvas bag(s) comes complete with handles for effortless transport.



Silver mist finish!



IRON HOLDER

Conveniently store your iron with Rev-A-Shelf's IRH Series. Ideal for closets, laundry rooms and more, the silver mist holder installs with just two screws and features a cord management component to keep your cord secured when not in use.

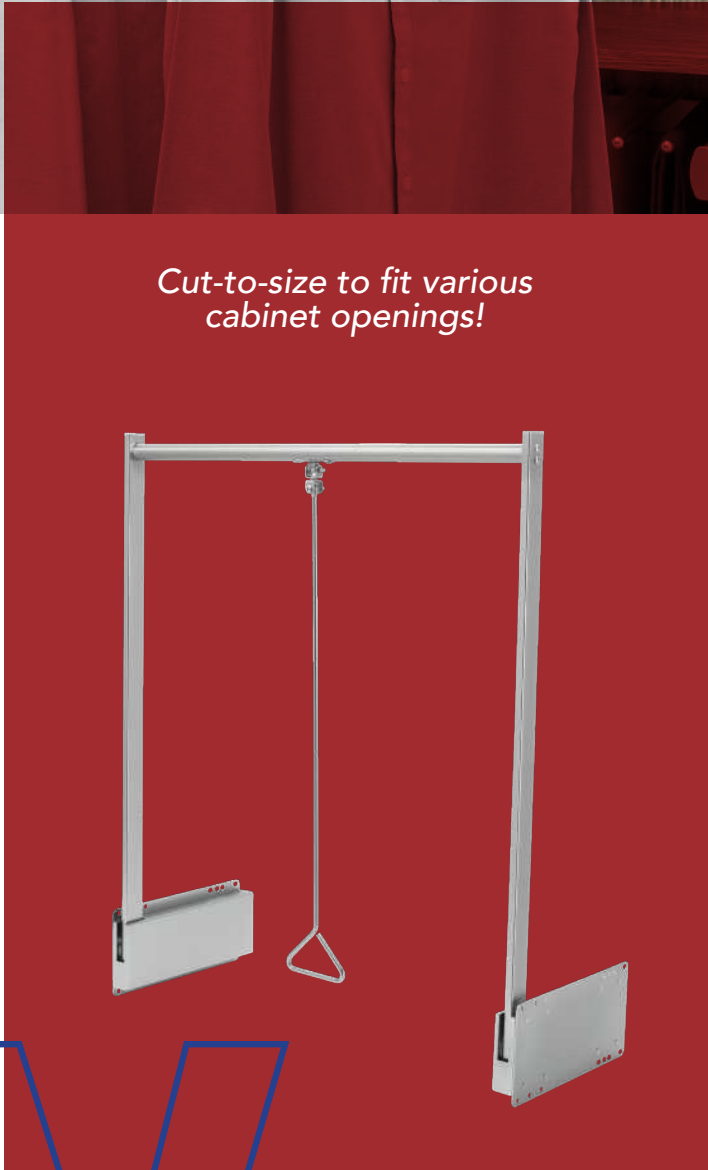


Durable mechanism housing constructed of steel!

PREMIER SATIN CHROME PULLDOWN CLOSET ROD

Maximize your closet space with the Sidelines by Rev-A-Shelf Premiere Satin Chrome Pull-down Closet Rod that pulls down and out from the cabinet, giving you complete accessibility to your clothes. Available in a luxurious finish, its unique cut-to-size design fits a range of openings from 18" (457 mm) to 48" (1219 mm) and features a durable mechanism housing constructed of steel, a swivel handle and soft open/soft close assist technology for easy access. It is the perfect addition to any closet and is stackable for use in taller applications.

Cut-to-size to fit various cabinet openings!





PULLDOWN CLOSET ROD

Rev-A-Shelf's CPDR Series has a new and exciting finish, Oil-Rubbed Bronze. Adjustable, it accommodates openings from 26" – 35" and comes with a telescoping pull-rod, allowing you to extend its reach from 34" – 50", making it ideal for universal design.



Dovetail plywood box w/ semi-gloss finish!

VALUE LINE WASTE CONTAINER

For those looking for value and quality, Rev-A-Shelf's 4VLWCSC Series is the perfect waste container. Designed for 15", 18" and 21" base cabinets, the 4VLWCSC Series features a dovetail plywood box with semi-gloss finish, single and double 35 and 50 qt. white containers, patented door mount brackets with 5" of adjustability and micro-trim adjuster (US Patent No. 8,388,076) included and all single units feature additional rear storage.

AVAILABLE SPRING 2021!





Universal frame configuration!

Chrome-plated welded wire frame!



UNIVERSAL WASTE PULLOUT

Perfect for tight spaces like vanities, laundry rooms and kitchens, Rev-A-Shelf's Universal RU units clear your kitchen of trash by hiding it inside your cabinet. The universal frame accommodates 27", 30" and 33" sink base cabinets; simply by turning it in either direction, you can avoid plumbing and other obstructions. Available with a single gray 20 qt. or 32 qt. can, they feature a heavy-duty wire frame with full-extension, 100 lb. rated, ball-bearing slides and are easy to install with only four screws. Optional door mounting kit sold separately.

AVAILABLE SUMMER 2021!

BASE CABINET PULLOUT W/ KNIFE BLOCK AND UTENSIL BIN

449KB Faceframe:

Rev-A-Shelf's all-in-one patented bottom and side mount knife pullout that comes complete with a knife block, cutting mats, a removable bin for cooking utensils, a shelf for additional storage and soft-close slides.(US Patent No. 10,799,020) and (US Patent No. 8,388,076).

448KB:

Rev-A-Shelf's 448KB Series is now available for 9" full height face frame base cabinets. The innovative pullout comes with cutting mats and allows you to store knives, scissors and other utensils in one place.

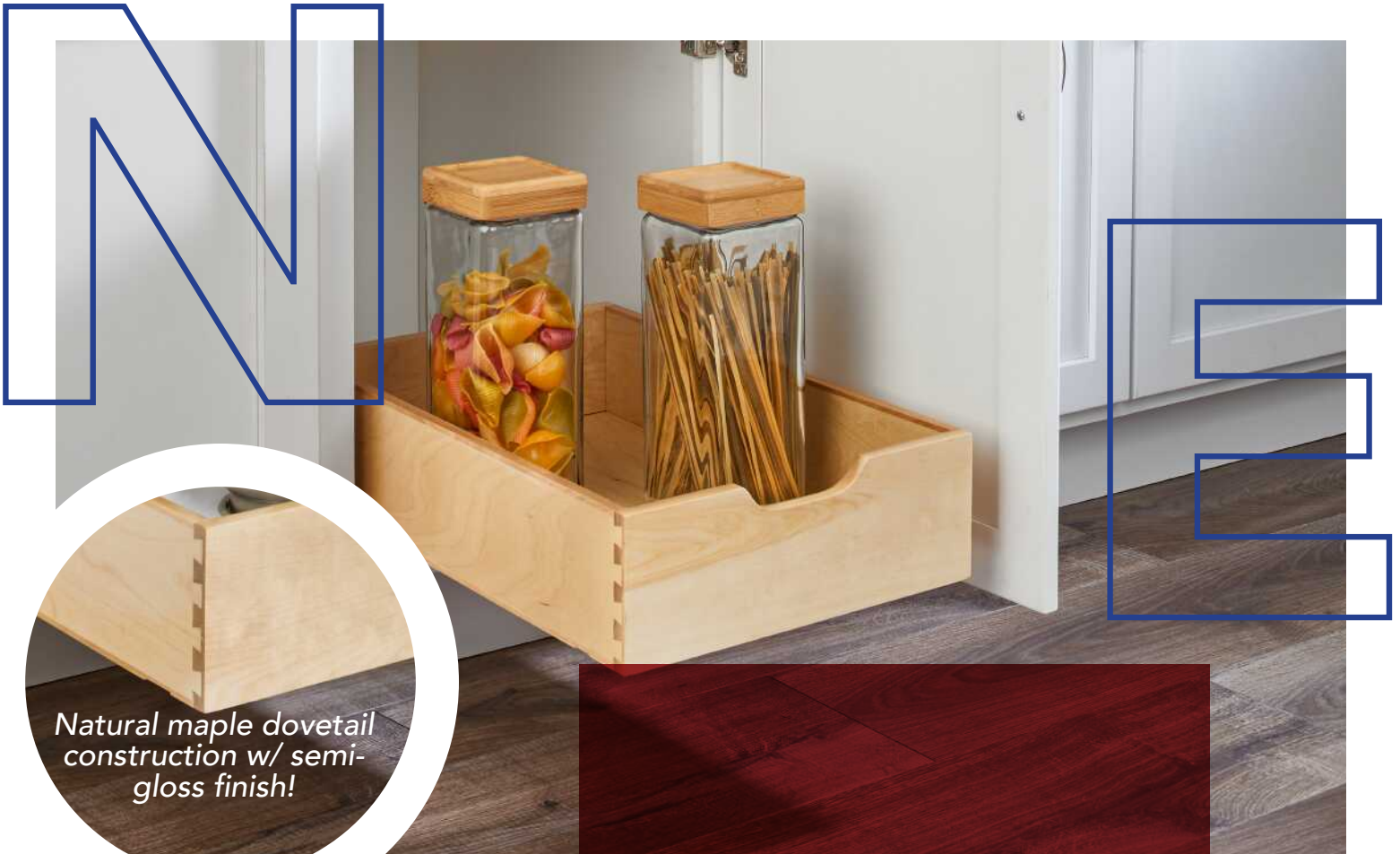
*New 449KB-BCSC-8C
designed for 12" full
height face frame base
cabinets!*

*New 448KB-BCSC-5C
designed for 9" full
height base cabinets!*





**PAGE
154/156**



Natural maple dovetail construction w/ semi-gloss finish!

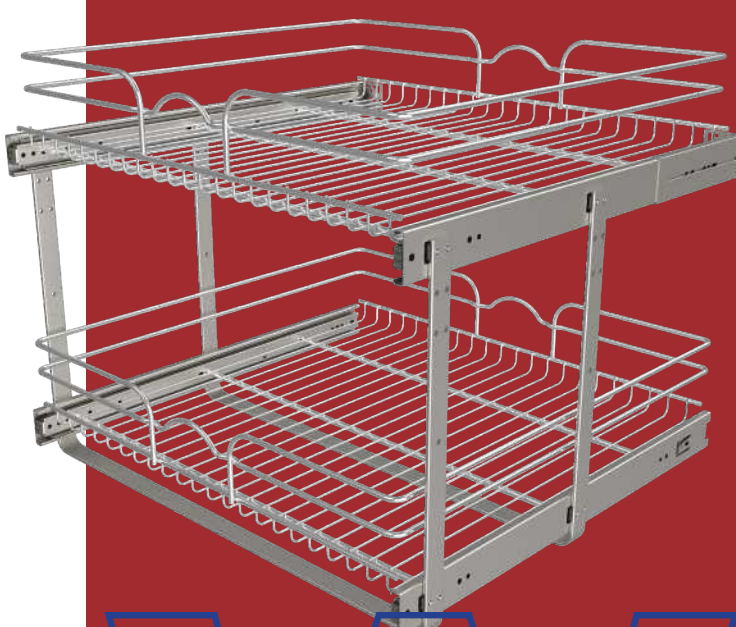
DRAWER PULLOUT *blum*

Bring functionality to your cabinets with these beautiful pullout drawers. Designed for 12", 15", 18" and 21" base cabinets, the 12" is available in 18" and 22" depths. All boxes glide on 3/4-extension, 33 lb. rated slides with soft-close, are TSCA Title IV compliant and feature sturdy dovetail construction. Easy to install with just four screws, they are perfect for kitchens and pantries to store sundries, pots & pans, appliances and more!

AVAILABLE SPRING 2021!

All boxes glide on 3/4- extension, 33 lb. rated slides with soft-close!





WIRE PULLOUT SHELVES *blum*

New to our popular line of chrome wire baskets is the single-tier 5WB1-2422CR and two-tier 5WB2-2422CR. Designed for any base 27" cabinet with a 23-1/2" opening, these new pullouts have 22" full-extension ball-bearing slides, heavy-duty chrome-plated frames, and are easy to install.

AVAILABLE SUMMER 2021!

DRAWER PULLOUTS blum

Throughout our 2021 releases, you will find familiar drawer system products, but with an "H" in the nomenclature. The "H" represents the item's use of BLUM TANDEM 563H slides with BLUMOTION soft-close for 5/8" sidewalls.

AVAILABLE SUMMER 2021!

Series updates will be staggered.



Page 202

NEW SIZE

MAPLE BOTTOM MOUNT WASTE CONTAINER blum

Rev-A-Shelf's American ingenuity brings us a new addition to our 4WCSC Series waste containers, designed for 15" reduced depth base cabinets. The 4WCSC-1532DM16-1 features a gray 32 qt. can that is slimmer than others, making it ideal for under sink and even desk applications. (US Patent No. 8,388,076)

AVAILABLE SPRING 2021!

Page 62





LED LIGHTING



RGB & WHITE TUNABLE FLEXTAPE®

RGB-CCT CONTROLLER/RECEIVERS

Compatible Tresco® FREEDiM series RGB or CCT hand and wall controllers (sold separately)

Works with any 12/24VDC Tresco® RGB or CCT low voltage lights

Tuning of the RGB or Color temperature from 2700K-6500K



Parent Controller/Receiver (required)



Child Controller/Receiver (optional)



Precision tunable remote controls (sold separately)



WHITE TUNABLE FLEXTAPE®

Changing your light source's color temperature is easy with Tresco® Lighting's White Tunable CCT FlexTape® lighting solution. Select between warmer lighting that highlights natural wood grains and earth tones or cool lighting to highlight whites; perfect for cabinet, task or accent lighting and store fixtures. The low profile and adhesive 3M™ backing give this LED lighting solution the versatility to install in a multitude of places. Eliminate the guesswork and get the LED that pairs perfectly with your general lighting and overall design.

3W/ft.
(9.8W/m)



12VDC



24VDC



2700K



3500K



6500K

Eliminate the guesswork and get the LED that pairs perfectly with your general lighting and overall design.

RGB TUNABLE FLEXTAPE®



Creating dramatic lighting with 16 million colors is a reality with Tresco® Lighting's RGB color-changing FlexTape®.

Why Balance

All tape lighting has inherent voltage drop. This voltage drop can cause color shift in longer runs of RGB. The On-Board Constant Current Regulators prevent this from happening resulting in balanced color from start to finish.

4.4W/ft.
(14.4W/m)



12VDC BALANCE



24VDC BALANCE



24VDC STANDARD



**BEGINNING
IN PAGE
406**

COB FLEXTAPE®

COB FLEXTAPE®

Chip on Board or "COB" LED tape is the latest advancement in tape lighting. With diodes directly mounted on a printed circuit board and a continuous fortified coating, this flexible, high density LED lighting strip creates our Luniform look without dark spots – no covers or filters needed!



12VDC



4.4W/ft.
(14.5W/m)

245 Lumens
per ft.
(809 per meter)



24VDC



5.5W/ft.
(18.1W/m)

420 Lumens
per ft.
(1386 per meter)



PROFILE CONTROLLERS

12VDC
24VDC



Touch Dimmer Controller

Touch ON/OFF

Gradual dimming from 100%-5%

Power failure memory (retains last setting)

10-hour automatic energy-saving shutoff

Touch Dimmer and Motion Controller Combo

Premium Panasonic motion sensor

Touch dimmer function 100/75/50/25/Off

(3) time settings: 30 seconds, 3 minutes, 30 minutes or customization available

Motion sensor can be bypassed

Dimming function works in motion sensor mode or stand-alone mode

10-hour automatic energy-saving shut off in dimmer only mode

*Motion sensor time can be customized by Tresco®

COMPATIBLE WITH ENTIRE TRESKO LOW VOLTAGE LINE

(5) profiles to choose from – angled, curved, recessed, round or square

Capacity: 12VDC/60W; 24VDC/96W

(2) configurations: Touch Dimmer and Touch Dimmer/Motion Combo

Power failure memory (retains last setting)

79" (2 m) input and 3" (76 mm) output

Controls all Tresco® dimmable low voltage lights

Various finishes available

SIDELINES[®]

by REV-A-SHELF

Sidelines
is now
Sidelines
by Rev-A-Shelf

Page

278



Sliding Tie-Rack

- Full-extension, ball-bearing, steel slide with steel rack housing
- Contains 16 tie arms



Swing Out Ironing Board

- Board: 38" long, 13" wide
- 5" wide when stored, including hardware



3 Way Hook

- Available in Chrome, Bronze, Satin Nickel, & Satin Chrome
- Zinc die cast construction



3-Way Swivel Closet Mirror

- Universal left or right mount hardware
- Soft-close retracting mechanism



Swivel Belt Rack

- Over-extension, ball-bearing, steel slide with pivoting roller hinge
- Locks in place after pivoting



Pop-Out Telescopic Valet Rod

- 10 mm diameter rod extends 9.5"
- Available in Bronze, Chrome, Satin Nickel, & Satin Chrome



Slanted Hamper Basket

- Unique, slanted rim design for clearance with tilt-down hamper cabinet doors
- Optional canvas fitted laundry bags available
- Flap stay hardware included



Sliding Basket

- Full-extension, ball-bearing slides
- Available in Bronze, Chrome, & Satin Nickel



PROP 65 WARNING FOR CALIFORNIA RESIDENTS



WARNING: These products can expose you to chemicals such as formaldehyde, lead or styrene, which are known to the State of California to cause cancer and birth defects or other reproductive harm. For more information go to www.P65Warnings.ca.gov



21/22.

Renowned as the most complete and thorough line available, Rev-A-Shelf's waste container series includes traditional wire, classic wood, stainless steel and aluminum frames, paired with our polymer and Compo+ containers. We have designed a pullout waste container for every situation in your home. The options are endless.

WASTE

Chrome Universal
Waste Pullout

- Designed for 27", 30" and 33" Sink Base
- Universal frame configuration
- Single 20 and 32 qt. polymer containers, gray
- Chrome-plated welded wire frame
- Full-extension, ball-bearing, 100 lb. rated slides
- Clip-on handle
- RB versions come with a rear storage basket
- 4-screw installation
- Mounts to cabinet floor
- RV DMKIT 17 door mount kit (sold separately)



RUKD-1420RB-1
Chrome Universal Waste Pullout
(Single 20 qt. version shown)



RUKD-932-1
Chrome Universal Waste Pullout
(Single 32 qt. version shown)



Chrome-plated welded wire frame

Chrome Universal Waste Pullout

PRODUCT	DESCRIPTION	DIMS	MCO	CAB	FINISH	SLP
RUKD-820-1	Single 20 qt.	8-1/2" (216 mm) W x 16-1/8" (410 mm) D x 16-5/8" (422 mm) H 14-11/32" (364 mm) W x 16-1/8" (410 mm) D x 16-5/8" (422 mm) H	8-3/4" (222 mm) 14-1/2" (368 mm)	B12 B18	Gray/Chrome	\$72.20
RUKD-1420RB-1	Single 20 qt. w/ Rear Basket	14-1/2" (368 mm) W x 15-3/4" (400 mm) D x 16-5/8" (422 mm) H	14-1/2" (368 mm)	B18	Gray/Chrome	\$93.50
RUKD-932-1	Single 32 qt.	9" (229 mm) W x 15-3/4" (400 mm) D x 19-5/8" (499 mm) H	8-3/4" (222 mm) 14-1/2" (368 mm)	B12	Gray/Chrome	\$82.65
RUKD-1432RB-1	Single 32 qt. w/ Rear Basket	14-1/2" (368 mm) W x 15-3/4" (400 mm) D x 19-5/8" (499 mm) H	14-1/2" (368 mm)	B18	Gray/Chrome	\$91.95
Accessories						
RV DM17 KIT	Heavy Duty Door Mount Kit				Silver Epoxy	\$34.25



CK-1117-13-1

- Available in (4) color options - black, green, orion gray or white
- 24 qt. capacity
- Odor reducing mechanism that opens when the lid is raised and seals when the lid is closed
- A removable no-mess trash carriage
- (12) compostable liners
- (2) carbon filters that eliminate odors
- Compo+ US Patent No.'s: 8,978,917/ 9,309,049/ 9,669,995
- Air vents to help speed the compost process



For video visit:
rev-a-shelf.com/videos

HOW IT WORKS



NOTE: For more information on each frame option please see pg. 42 for RV Series, pg. 52 for 5349 Series, pg. 62 for 4WCSC/D Series and pg. 66 for 4WCTM Series. Depending on cabinet construction and pull hardware, a lid on the rear waste container may not fully function. See pg. 46 for replacement containers.



4WCSC-1835CKBL-2
Maple Bottom Mount Compo+
w/ 35 qt. Waste Container
(Black/ White finish shown)



5349-18CKOG-2
Aluminum Bottom Mount Compo+
w/ 35 qt. Waste Container
(Orion Gray/ White finish shown)



4WCTM-18CKWHSCDM2
Maple Top Mount Compo+
w/ 35 qt. Waste Container
(Maple/ White finish shown)



CK-1117-WH-1
Compo+ Bin
(White finish shown)



Removable waste carriage for easy waste transport



RV-1216-CKGR-1
RV Compost w/ Full-Extension Slides
(Green and white finish shown)



Includes charcoal filter and (12) compostable waste bags



RV-12KD-CKGR-S
RV Compost w/ Full-Extension Slides
(Green and chrome finish shown)



RV DM KIT door mount kit
(sold separately)

** select "WH" for white, "OG" for orion gray, "BK" for black, "GR" for green

RV White Wire Bottom Mount Compost Pullout w/ Full-Extension Slides

PRODUCT	DESCRIPTION	DIMS	MCO	CAB	FINISH	SLP
RV-1216-CK**-1	Single Compo+	12" (305 mm) W x 16" (406 mm) D x 17-29/32" (455 mm) H	12" (305 mm)	B15	**/ White	\$258.10

RV Chrome Wire Bottom Mount Compost Pullout w/ Full-Extension Slides

RV-12KD-CK**-S	Single Compo+	10-3/4" (273 mm) W x 18-15/16" (481 mm) D x 17-29/32" (455 mm) H	11" (279 mm)	B15	**/ Chrome	\$223.75
----------------	---------------	--	--------------	-----	------------	----------

Aluminum Bottom Mount Compost Pullout w/ Soft-Close

5349-15CK**-1	Single Compo+	10-13/16" (275 mm) W x 18" (457 mm) D x 18-1/16" (459 mm) H	10-13/16" (275 mm)	B15	**/Alum	\$435.00
5349-18CK**-2	Compo+ w/ 35 qt. Container	14-13/16" (376 mm) W x 22-3/32" (561 mm) D x 19-1/16" (484 mm) H	15" (381 mm) - FF 14-15/16" (379 mm) - FL	B18	**/White/Alum	\$507.50

Maple Bottom Mount Compost Pullouts w/ Soft-Close

4WCSC-CK**-1	Single Compo+	12" (305 mm) W x 18-1/2" (470 mm) D x 18-9/16" (472 mm) H	12" (305 mm)	B15	**/Maple	\$450.10
4WCSC-1835CK**-2	Compo+ w/ 35 qt. Container	15" (381 mm) W x 22" (559 mm) D x 20-3/8" (518 mm) H	15" (381 mm)	B18	**/White/Maple	\$520.70

Maple Top Mount Compost Pullouts w/ Soft-Close

4WCTM-12CK**SCDM1	Single Compo+	12" (305 mm) W x 22-7/8" (581 mm) D x 16-15/16" (430 mm) H	12" (305 mm)	B15	**/Maple	\$285.95
4WCTM-18CK**SCDM2	Compo+ w/ 35 qt. Container	15" (381 mm) W x 22-7/8" (581 mm) D x 19-27/32" (504 mm) H	15" (381 mm)	B18	**/White/Maple	\$293.90

Accessories

RV DM KIT	White, Heavy Duty Door Mount Kit - For RV series only	\$34.00
RV DM17 KIT	Silvwe, Heavy Duty Door Mount Kit - For RV series only	\$34.00
CP-BAGROLL-1	Replacement Compost Bags (1 Roll, 12 Bags)	\$14.50
CP-FILTER-1	Replacement Charcoal Filter (2)	\$23.05
CK-1117**-1	Replacement Compo+ Bin	\$71.20

RV Series

RV White Wire Bottom Mount



RV-18PB-2 S

- Designed for a multitude of cabinet sizes
- Single 30, 35 and 50 qt. and double 27 and 35 qt. polymer containers, white
- 4-screw installation
- White powder-coated welded wire frame
- 3/4 or full-extension, ball-bearing, 100 lb. rated slides
- Mounts to cabinet floor
- Door mount kit (sold separately)
- 35 and 50 qt. polymer lids available (sold separately)
- Compo+ US Patent No.'s: 8,978,917/ 9,309,049/ 9,669,995

NOTE: Depending on cabinet construction and pull hardware, a lid on the rear waste container may not fully function. See pg. 46 for replacement containers and pg. 45 for lids.



RV-15PB-2 S
RV Wire Bottom Mount
w/ Full-Extension Slides
(Double 27 qt. shown)



RV-18PB-1
RV Wire Bottom Mount
w/ 3/4-Extension Slides
(Single 35 qt. shown)



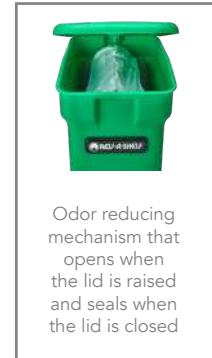
RV-1216-CKOG-1
RV Compo+ w/ Full-Extension Slides
(Orion gray and white finish shown)
See pg. 40 for more information



Durable white powder-coat finish



Door mountable



Odor reducing mechanism that opens when the lid is raised and seals when the lid is closed

** select "WH" for white, "OG" for orion gray, "BK" for black, "GR" for green

RV White Wire Bottom Mount Waste Container Pullouts w/ Full-Extension Slides						
PRODUCT	DESCRIPTION	DIMS	MCO	CAB	FINISH	SLP
RV-9PB S	Single 30 qt.	9-1/2" (242 mm) W x 22" (559 mm) D x 19-1/4" (489 mm) H	9-1/2" (248 mm) - FF 9-5/8" (245 mm) - FL	B15	White	\$102.20
RV-12PB S	Single 35 qt.	10-5/8" (270 mm) W x 22" (559 mm) D x 19" (483 mm) H	10-1/2" (267 mm) - FF 10-3/4" (273 mm) - FL	B15	White	\$112.40
RV-12PB-LE	Single 35 qt. w/ (1) Lid	10-5/8" (270 mm) W x 16" (407 mm) D x 20-3/8" (518 mm) H	10-5/8" (270 mm) - FF 10-5/8" (270 mm) - FL	B15	White	\$124.85
RV-12PB-50 S	Single 50 qt. w/ (1) Lid	12-1/4" (273 mm) W x 22" (559 mm) D x 24-1/4" (616 mm) H	12-3/8" (314 mm)	FHB15	White	\$149.20
RV-15PB-2 S	Double 27 qt.	11-13/16" (300 mm) W x 22-1/4" (565 mm) D x 19-1/8" (486 mm) H	12" (305 mm) - FF 11-15/16" (303 mm) - FL	B15	White	\$142.55
RV-18PB-2 S	Double 35 qt.	14-3/8" (365 mm) W x 22" (559 mm) D x 19-1/4" (489 mm) H	14-1/2" (368 mm)	B18	White	\$158.35
RV White Wire Bottom Mount Waste Container Pullouts w/ 3/4-Extension Slides						
RV-9PB	Single 30 qt.	9-1/2" (242 mm) W x 22" (559 mm) D x 19-1/4" (489 mm) H	9-1/2" (248 mm) - FF 9-5/8" (245 mm) - FL	B15	White	\$94.55
RV-12PB	Single 35 qt.	10-5/8" (270 mm) W x 22" (559 mm) D x 19" (483 mm) H	10-1/2" (267 mm) - FF 10-3/4" (273 mm) - FL	B15	White	\$98.00
RV-12PB-L	Single 35 qt. w/ (1) Lid	10-5/8" (270 mm) W x 22" (559 mm) D x 20-3/8" (518 mm) H	10-5/8" (270 mm) - FF 10-5/8" (270 mm) - FL	B15	White	\$104.40
RV-18PB-1	Single 35 qt.	14-3/8" (365 mm) W x 22" (559 mm) D x 19-1/4" (489 mm) H	14-1/2" (368 mm)	B18	White	\$109.45
RV-12PB-50	Single 50 qt. w/ (1) Lid	12-1/4" (273 mm) W x 22" (559 mm) D x 24-1/4" (616 mm) H	11-3/8" (289 mm)	FHB18	White	\$117.00
RV White Wire Bottom Mount Compost Pullout w/ Full-Extension Slides						
RV-1216-CK**-1	Single 24 qt. Compo+ Bin	12" (305 mm) W x 16" (406 mm) D x 18-3/4" (476 mm) H	12" (305 mm)	B15	**/ White	\$258.10
Accessories						
RV DM KIT	Heavy Duty Door Mount Kit					\$34.00
CP-BAGROLL-1	Replacement Compost Bags (1 Roll, 12 Bags)					\$14.50
CP-FILTER-1	(2) Replacement Charcoal Filter					\$23.05
CK-1117-**-1	Replacement Compo+ Bin					\$71.20

RV Series

RV Chrome Wire Bottom Mount

- Designed for a multitude of cabinet sizes
- Single 35 qt. and double 27 and 35 qt. polymer containers, black or metallic silver
- 4-screw installation
- Chrome-plated wire frame
- Full-extension, ball-bearing, 100 lb. rated slides
- Rear storage with all single units
- Mounts to cabinet floor
- Door mount kit (sold separately)
- 35 qt. polymer lids available (sold separately)



RV-18KD-17C S

RV-12KD-18C S
Single 35 qt. Waste Container
(Chrome, Black finish shown)

NOTE: Depending on cabinet construction and pull hardware, a lid on the rear waste container may not fully function. See pg. 46 for replacement containers and pg. 45 for lids.

** select "WH" for white, "OG" for orion gray, "BK" for black, "GR" for green

RV Chrome Wire Bottom Mount Waste Container Pullouts w/ Full-Extension Slides

PRODUCT	DESCRIPTION	DIMS	MCO	CAB	FINISH	SLP
RV-12KD-17C S	Single 35 qt. w/ 18" slides	10-5/8" (270 mm) W x 22" (559 mm) D x 19-1/4" (489 mm) H	10-3/4" (273 mm)	B15	Silver/Chrome	\$95.40
RV-12KD-18C S	Single 35 qt. w/ 18" slides	10-5/8" (270 mm) W x 22" (559 mm) D x 19-1/4" (489 mm) H	10-3/4" (273 mm)	B15	Black/Chrome	\$96.70
RV-15KD-17C S	Double 27 qt.	11-13/16" (300 mm) W x 22-1/4" (565 mm) D x 19-1/4" (489 mm) H	12" (305 mm) - FF 11-15/16" (303 mm) - FL	B15	Silver/Chrome	\$126.30
RV-15KD-18C S	Double 27 qt.	11-13/16" (300 mm) W x 22-1/4" (565 mm) D x 19-1/4" (489 mm) H	12" (305 mm) - FF 11-15/16" (303 mm) - FL	B15	Black/Chrome	\$126.30
RV-18KD-17C S	Double 35 qt.	14-3/8" (365 mm) W x 22" (559 mm) D x 19-1/4" (489 mm) H	14-1/2" (368 mm)	B18	Silver/Chrome	\$140.65
RV-18KD-18C S	Double 35 qt.	14-3/8" (365 mm) W x 22" (559 mm) D x 19-1/4" (489 mm) H	14-1/2" (368 mm)	B18	Black/Chrome	\$140.65

RV Chrome Wire Bottom Mount Compost Pullout w/ Full-Extension Slides

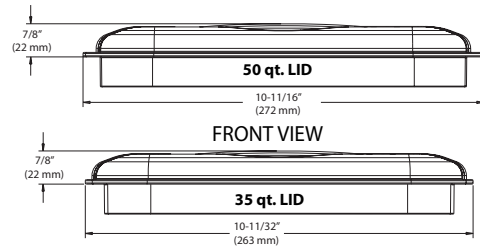
RV-12KD-CK**S	Single Compo+	10-3/4" (273 mm) W x 18-15/16" (481 mm) D x 17-29/32" (455 mm) H	11" (279 mm)	B15	**/ Chrome	\$223.75
---------------	---------------	--	--------------	-----	------------	----------

Accessories

RV DM17 KIT	Heavy Duty Door Mount Kit				Silver Epoxy	\$34.25
-------------	---------------------------	--	--	--	--------------	---------



- Black (18), champagne (12), green (G), metallic silver (17), orion gray (13) and white (11) polymer lids for 35 and 50 qt. polymer containers



Polymer Lids for 35 and 50 qt. Waste Containers

PRODUCT	DESCRIPTION	FINISH	SLP
RV-35-LID-1	35 qt. Waste Container Lid	White	\$18.70
RV-35-LID-12-1	35 qt. Waste Container Lid	Champagne	\$22.05
RV-35-LID-17-1	35 qt. Waste Container Lid	Metallic Silver	\$21.00
RV-35-LID-18-1	35 qt. Waste Container Lid	Black	\$21.00
RV-35-LID-G-1	35 qt. Waste Container Lid	Green	\$21.00
RV-35-LID-13-1	35 qt. Waste Container Lid	Orion Gray	\$22.05
RV-50-LID-1	50 qt. Waste Container Lid	White	\$20.15
RV-50-LID-12-1	50 qt. Waste Container Lid	Champagne	\$25.10
RV-50-LID-17-1	50 qt. Waste Container Lid	Metallic Silver	\$22.60
RV-50-LID-G-1	50 qt. Waste Container Lid	Green	\$22.60
RV-50-LID-13-1	50 qt. Waste Container Lid	Orion Gray	\$25.10
RV-50-LID-18-1	50 qt. Waste Container Lid	Black	\$20.60

Replacement Containers

- Do you just need a replacement? Here's a list of all the waste containers available.



** select "WH" for white, "OG" for orion gray, "BL" for black, "GR" for green

PRODUCT	SERIES
6700-16-13-52	5LB
CK-1117-**-1	Compo+, 5349, RV, 4WCSC
6700-61-6	RV-9, 568 Series
RV-1024W	RV-15, 4WCTM-15 and 4WCTM-27-4
RV-1024-13-10	53WC Series
RV-1024-17-10	5149, 5349 Series
RV-1024-18-10	RV-15KD-18C S
RV-20-6	RV-8 and RV-14
RV-35-8	RV-12, RV-18, 5149, 5349 Series and 4WCTM Series
RV-35-13-8	53WC Series, 4WC-WN, 5LB
RV-50-13-8	53WC Series, 4WC-WN, 4WCTM-WNRM, 5LB

Cont'd

PRODUCT	SERIES
RV-35-17-8	5149, 5349, 4WCSD, 4WCSC, RV, 53WC Series
RV-35-18-8	RV Series
RV-35-12-8	53WC Series
RV-50-8	RV-12PB-50 and 4WCTM Series
RV-50-17-8	5149, 5349, 4WCSD, 4WCSC, RV, 53WC Series
RV-50-12-8	53WC Series
RV-50WL-8	RV-12PB-50 S
WC-8-1711-1	53TM Series, 4SOWC Series, 5SB Series
WC-8-1719-1	53TM Series, 4SOWC Series
4TMBIN (ALL)	4WTCM Series (except 4WCTM-RM)

Replacement Waste Containers (Bulk Pack)

PRODUCT	DESCRIPTION	DIMS	FINISH	SLP
RV-8-1711-1	(1) 8 qt.	6" (152 mm) W x 9" (229 mm) D x 12-1/2" (318 mm) H	Silver/White	\$23.50
RV-8-1719-1	(1) 8 qt.	6" (152 mm) W x 9" (229 mm) D x 12-1/2" (318 mm) H	Silver/Green	\$23.50
RV-32-11-8	(8) 32 qt.	13-3/4" (349 mm) W x 9-5/16" (237 mm) D x 17-3/4" (451 mm) H	White Polymer	\$14.50
RV-32-14-8	(8) 32 qt.	13-3/4" (349 mm) W x 9-5/16" (237 mm) D x 17-3/4" (451 mm) H	Gray Polymer	\$18.85
RV-20-6	(6) 20 qt.	8-3/8" (213 mm) W x 14-1/4" (362 mm) D x 15" (381 mm) H	White Polymer	\$14.65 ea.
RV-20-14-6	(6) 20 qt.	8-3/8" (213 mm) W x 14-1/4" (362 mm) D x 15" (381 mm) H	Gray Polymer	\$14.65 ea.
RV-35-8	(8) 35 qt.	14-3/16" (360 mm) W x 10-1/2" (270 mm) D x 17-7/8" (454 mm) H	White Polymer	\$15.10 ea.
RV-35-12-8	(8) 35 qt.	14-3/16" (360 mm) W x 10-1/2" (270 mm) D x 17-7/8" (454 mm) H	Champagne Polymer	\$22.75 ea.
RV-35-13-8	(8) 35 qt.	14-3/16" (360 mm) W x 10-1/2" (270 mm) D x 17-7/8" (454 mm) H	Orion Gray Polymer	\$21.75 ea.
RV-35-15-52	(1) 35 qt.	14-3/16" (360 mm) W x 10-1/2" (270 mm) D x 17-7/8" (454 mm) H	Almond Polymer	\$32.65
RV-35-17-8	(8) 35 qt.	14-3/16" (360 mm) W x 10-1/2" (270 mm) D x 17-7/8" (454 mm) H	Metallic Silver Polymer	\$21.75 ea.
RV-35-18-8	(8) 35 qt.	14-3/16" (360 mm) W x 10-1/2" (270 mm) D x 17-7/8" (454 mm) H	Black Polymer	\$21.75 ea.
RV-50-8	(8) 50 qt.	14-3/4" (274 mm) W x 10-3/4" (375 mm) D x 21-3/4" (550 mm) H	White Polymer	\$27.40 ea.
RV-50-13-8	(8) 50 qt.	14-3/4" (274 mm) W x 10-3/4" (375 mm) D x 21-3/4" (550 mm) H	Orion Gray Polymer	\$32.05 ea.
RV-50-12-8	(8) 50 qt.	14-3/4" (274 mm) W x 10-3/4" (375 mm) D x 21-3/4" (550 mm) H	Champagne Polymer	\$32.05 ea.
RV-50-17-8	(8) 50 qt.	14-3/4" (274 mm) W x 10-3/4" (375 mm) D x 21-3/4" (550 mm) H	Metallic Silver Polymer	\$29.45 ea.
RV-1024W	(8) 27 qt.	11" (280 mm) W x 10-7/8" (277 mm) D x 17-3/4" (451 mm) H	White Polymer	\$23.20 ea.
RV-1024-17-10	(10) 27 qt.	11" (280 mm) W x 10-7/8" (277 mm) D x 17-3/4" (451 mm) H	Metallic Silver Polymer	\$26.10 ea.
RV-1024-18-10	(10) 27 qt.	11" (280 mm) W x 10-7/8" (277 mm) D x 17-3/4" (451 mm) H	Black Polymer	\$24.20 ea.
6700-61-6	(6) 30 qt.	9-3/8" (239 mm) W x 15-3/8" (397 mm) D x 17-7/8" (454 mm) H	White Polymer	\$22.75 ea.
6700-61-13-52	(1) 30 qt.	9-3/8" (239 mm) W x 15-3/8" (397 mm) D x 17-7/8" (454 mm) H	Orion Gray Polymer	\$47.15
6700-61-15-52	(1) 30 qt.	9-3/8" (239 mm) W x 15-3/8" (397 mm) D x 17-7/8" (454 mm) H	Almond Polymer	\$31.75
6700-61-18-52	(1) 30 qt.	9-3/8" (239 mm) W x 15-3/8" (397 mm) D x 17-7/8" (454 mm) H	Black Polymer	\$47.15
6700-61-17-52	(1) 30 qt.	9-3/8" (239 mm) W x 15-3/8" (397 mm) D x 17-7/8" (454 mm) H	Metallic Silver Polymer	\$27.10
CK-1117-**-1	Replacement Compo+ Bin			\$71.20

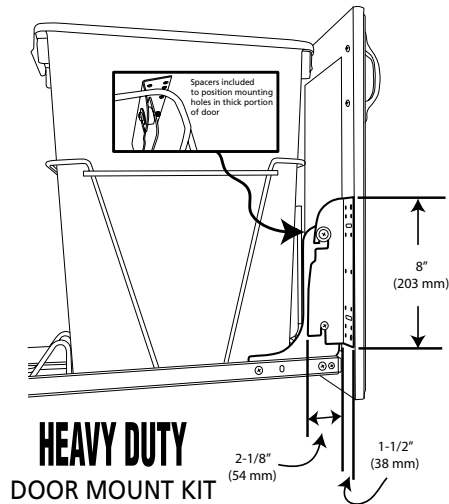
4WCTM Replacement Polymer Rear Storage Bins

4TMBIN-6	(6) Replacement Polymer Bins	10-3/8" (264 mm) W x 7-3/8" (188 mm) D x 6-3/8" (162 mm) H	White Polymer	\$9.15 ea.
4TMBIN-15-6	(6) Replacement Polymer Bins	10-3/8" (264 mm) W x 7-3/8" (188 mm) D x 6-3/8" (162 mm) H	Almond Polymer	\$9.15 ea.
4TMBIN-17-6	(6) Replacement Polymer Bins	10-3/8" (264 mm) W x 7-3/8" (188 mm) D x 6-3/8" (162 mm) H	Metallic Silver Polymer	\$10.90 ea.



- Fits all RV Series Waste Containers, HPRV/HRV Hampers, and 5CW2 Series Cookware Organizers
- Allows cabinet door to be installed easily
- Pre-assembled door mounting brackets
- 6-way adjustable bracket
- Includes a complete set of brackets, fasteners and spacers for installation
- Eliminates the need for a sub door panel

RV DM17 KIT



White finish available



Door mount bracket for 5WB Baskets

Heavy Duty Door Mount Kit

PRODUCT	DESCRIPTION	FINISH	SLP
RV DM KIT	Heavy Duty Door Mount Kit	White	\$34.00
RV DM17 KIT	Heavy Duty Door Mount Kit	Silver Epoxy	\$34.25

Door Mount Kit

5WB-DMKIT	Door Mount Kit for 5WB wire shelves	Silver Epoxy	\$34.95
-----------	-------------------------------------	--------------	---------

5LB Series

LEGRABOX
Bottom Mount

- Designed for full access 12", 15" and 18" base cabinets with 3/4" side panels
- Single 30, 35 and 50 qt. and double 35 and 50 qt. polymer containers, black or orion gray
- LEGRABOX frame, orion gray or stainless steel (9-1/2" F height)
- Full-extension, LEGRABOX, 155 lb. rated, concealed slides with BLUMOTION soft-close
- Wood insert secures container(s), natural maple with semi-gloss finish, walnut with satin finish or painted black MDF
- Fully assembled, just add your door front
- Mounts to cabinet door and side walls
- LEGRABOX door mount brackets
- (1) matching lid*
- TIP-ON or SERVO-DRIVE systems available (sold separately)
- TSCA Title VI compliant

*Lids not available for 30 qt.

5LB-1835OGMP-213



For video visit:
rev-a-shelf.com/videos

NOTE: Depending on cabinet construction and pull hardware, a lid on the rear waste container may not fully function. See pg. 46 for replacement containers and pg. 45 for lids.



TIP-ON Kit available



SERVO-DRIVE available



5LB-1230SSBL-118
Single 30 qt. Waste Container
(Stainless steel and black finish shown)



5LB-1550GMP-113
Single 50 qt. Waste Container
(Orion gray and maple finish shown)



5LB-1850GWN-213
Double 50 qt. Waste Container
(Orion gray and walnut finish shown)

LEGRABOX Bottom Mount Waste Container Pullouts w/ Soft-Close

PRODUCT	DESCRIPTION	DIMS	MCO	CAB	FINISH	SLP
5LB-1230OGMP-113	Single 30 qt.	10-1/2" (266 mm) W x 21-23/32" (552 mm) D x 19-19/32" (498 mm) H	10-1/2" (267 mm)	FLB12	Orion Gray/ Maple	\$493.00
5LB-1230OGWN-113	Single 30 qt.	10-1/2" (266 mm) W x 21-23/32" (552 mm) D x 19-19/32" (498 mm) H	10-1/2" (267 mm)	FLB12	Orion Gray/ Walnut	\$551.60
5LB-1230SSBL-118	Single 30 qt.	10-1/2" (266 mm) W x 21-23/32" (552 mm) D x 19-19/32" (498 mm) H	10-1/2" (267 mm)	FLB12	Stainless Steel/ Black	\$629.75
5LB-1535OGMP-113	Single 35 qt.	13-1/2" (343 mm) W x 21-23/32" (552 mm) D x 20-11/32" (516 mm) H	13-1/2" (343 mm)	FLB15	Orion Gray/ Maple	\$454.40
5LB-1535OGWN-113	Single 35 qt.	13-1/2" (343 mm) W x 21-23/32" (552 mm) D x 20-11/32" (516 mm) H	13-1/2" (343 mm)	FLB15	Orion Gray/ Walnut	\$560.70
5LB-1535SSBL-118	Single 35 qt.	13-1/2" (343 mm) W x 21-23/32" (552 mm) D x 20-11/32" (516 mm) H	13-1/2" (343 mm)	FLB15	Stainless Steel/ Black	\$657.30
5LB-1550OGMP-113	Single 50 qt.	13-1/2" (343 mm) W x 21-23/32" (552 mm) D x 24-7/32" (615 mm) H	13-1/2" (343 mm)	FLFHB15	Orion Gray/ Maple	\$501.70
5LB-1550OGWN-113	Single 50 qt.	13-1/2" (343 mm) W x 21-23/32" (552 mm) D x 24-7/32" (615 mm) H	13-1/2" (343 mm)	FLFHB15	Orion Gray/ Walnut	\$566.65
5LB-1550SSBL-118	Single 50 qt.	13-1/2" (343 mm) W x 21-23/32" (552 mm) D x 24-7/32" (615 mm) H	13-1/2" (343 mm)	FLFHB15	Stainless Steel/ Black	\$638.30
5LB-1835OGMP-213	Double 35 qt.	16-1/2" (419 mm) W x 21-23/32" (552 mm) D x 20-11/32" (516 mm) H	16-1/2" (419 mm)	FLB18	Orion Gray/ Maple	\$502.30
5LB-1835OGWN-213	Double 35 qt.	16-1/2" (419 mm) W x 21-23/32" (552 mm) D x 20-11/32" (516 mm) H	16-1/2" (419 mm)	FLB18	Orion Gray/ Walnut	\$564.50
5LB-1835SSBL-218	Double 35 qt.	16-1/2" (419 mm) W x 21-23/32" (552 mm) D x 20-11/32" (516 mm) H	16-1/2" (419 mm)	FLB18	Stainless Steel/ Black	\$634.25
5LB-1850OGMP-213	Double 50 qt.	16-1/2" (419 mm) W x 21-23/32" (552 mm) D x 24-7/32" (615 mm) H	16-1/2" (419 mm)	FLFHB18	Orion Gray/ Maple	\$511.85
5LB-1850OGWN-213	Double 50 qt.	16-1/2" (419 mm) W x 21-23/32" (552 mm) D x 24-7/32" (615 mm) H	16-1/2" (419 mm)	FLFHB18	Orion Gray/ Walnut	\$574.05
5LB-1850SSBL-218	Double 50 qt.	16-1/2" (419 mm) W x 21-23/32" (552 mm) D x 24-7/32" (615 mm) H	16-1/2" (419 mm)	FLFHB18	Stainless Steel/ Black	\$639.90

LEGRABOX TIP-ON Kit for Full Access

5LB-TOKIT-12	Kit for 12"	3-1/2" (89 mm) W x 9" (229 mm) D x 1-3/4" (44 mm) H				\$63.65
5LB-TOKIT-15	Kit for 15"	3-1/2" (89 mm) W x 9" (229 mm) D x 1-3/4" (44 mm) H				\$66.10
5LB-TOKIT-18	Kit for 18"	3-1/2" (89 mm) W x 9" (229 mm) D x 1-3/4" (44 mm) H				\$66.10

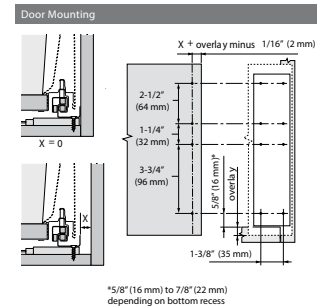
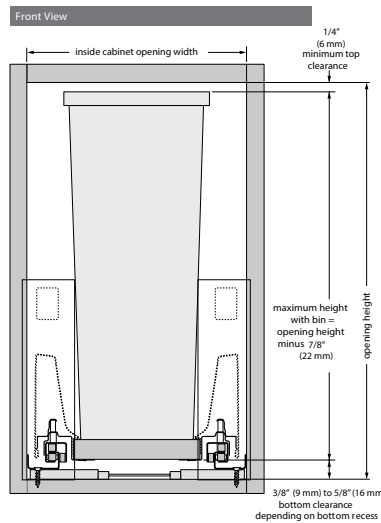
LEGRABOX SERVO-DRIVE Kit

5LBSD-KIT-1	SERVO-Drive Kit for 5LB					\$551.15
-------------	-------------------------	--	--	--	--	----------



- Designed for 15", 18" and 21" base cabinets
- Single and double 35 and 50 qt. polymer containers, available in white
- Full-extension, TANDEM smooth running action, 110 lb. rated, concealed slides with BLUMOTION soft-close
- Pre-assembled TANDEMBOX frame
- Wood insert secures container(s), available in painted white MDF
- Mounts to cabinet floor
- Built-in door mount brackets
- Rear storage with all single units
- 35 and 50 qt. polymer lids available (sold separately)
- TSCA Title VI compliant

TWCS-18DM-2



Minimum inside cabinet depth
 With SERVO-DRIVE 22-5/8" (574 mm)
 Without SERVO-DRIVE 22-1/2" (569 mm)

TANDEMBOX Bottom Mount Waste Container Pullouts w/ BLUMOTION Soft-Close

PRODUCT	DESCRIPTION	DIMS	MCO	Inset	BC	FINISH	SLP
TWCSC-15DM-1	Single 35 qt.	12-1/2" (318 mm) W x 22-1/2" (572 mm) D x 19" (483 mm) H	12" (305 mm)	12-3/4" (324 mm)	B15	White	\$532.45
TWCSC-1550DM-1	Single 50 qt.	12-1/2" (318 mm) W x 22-1/2" (572 mm) D x 23" (584 mm) H	12" (305 mm)	12-3/4" (324 mm)	FHB15	White	\$536.40
TWCSC-18DM-2	Double 35 qt.	15-1/2" (394 mm) W x 22-1/2" (572 mm) D x 19" (483 mm) H	15" (381 mm)	15-3/4" (400 mm)	B18	White	\$547.45
TWCSC-21DM-2	Double 35 qt.	18-1/2" (470 mm) W x 22-1/2" (572 mm) D x 19" (483 mm) H	18" (457 mm)	18-3/4" (476 mm)	B21	White	\$559.75
TWCSC-1850DM-2	Double 50 qt.	15-1/2" (394 mm) W x 22-1/2" (572 mm) D x 23" (584 mm) H	15" (381 mm)	15-3/4" (400 mm)	FHB18	White	\$555.45
TWCSC-2150DM-2	Double 50 qt.	18-1/2" (470 mm) W x 22-1/2" (572 mm) D x 23" (584 mm) H	18" (457 mm)	18-3/4" (476 mm)	FHB21	White	\$570.45

TANDEMBOX Bottom Mount Electric Assist Waste Container Pullouts w/ Soft-Close and SERVO-DRIVE

TWCSD-15DM-1	Single 35 qt.	12-1/2" (318 mm) W x 22-5/8" (575 mm) D x 19" (483 mm) H	12" (305 mm)	12-3/4" (324 mm)	B15	White	\$1,053.00
TWCSD-1550DM-1	Single 50 qt.	12-1/2" (318 mm) W x 22-5/8" (575 mm) D x 23" (584 mm) H	12" (305 mm)	12-3/4" (324 mm)	FHB15	White	\$1,062.15
TWCSD-18DM-2	Double 35 qt.	15-1/2" (394 mm) W x 22-5/8" (575 mm) D x 19" (483 mm) H	15" (381 mm)	15-3/4" (400 mm)	B18	White	\$1,072.95
TWCSD-21DM-2	Double 35 qt.	18-1/2" (470 mm) W x 22-5/8" (575 mm) D x 19" (483 mm) H	18" (457 mm)	18-3/4" (476 mm)	B21	White	\$1,088.25
TWCSD-1850DM-2	Double 50 qt.	15-1/2" (394 mm) W x 22-5/8" (575 mm) D x 23" (584 mm) H	15" (381 mm)	15-3/4" (400 mm)	FHB18	White	\$1,081.50
TWCSD-2150DM-2	Double 50 qt.	18-1/2" (470 mm) W x 22-5/8" (575 mm) D x 23" (584 mm) H	18" (457 mm)	18-3/4" (476 mm)	FHB21	White	\$1,096.50

Aluminum Bottom Mount Rev-A-Motion®

5149 Series



- Designed for 15", 18" and 21" base cabinets
- Single 35 and 50 qt. and double 27, 35 and 50 qt. polymer containers, metallic silver or white
- Patented anodized aluminum frame, metallic silver or white base (US Patent No. 9,049,930)
- Full-extension with 1-1/2" over-travel, ball-bearing, 150 lb. rated, concealed slides with Rev-A-Motion® soft-open/soft-close (US Patent No. 8,091,971)
- Rear storage with all single units
- Mounts to cabinet door and floor
- Patented door mount brackets with 5" of adjustability (US Patent No. 8,939,526)
- 35 and 50 qt. polymer lids available (sold separately)

5149-18DM-217



5149-1527DM-211
Double 27 qt. Waste Container
(White/aluminum finish shown)



5149-15DM18-117
Single 35 qt. Reduced Depth
Waste Container
(White/aluminum finish shown)



Patented door mount brackets
(US Patent No. 8,939,526)

NOTE: Depending on cabinet construction and pull hardware, a lid on the rear waste container may not fully function. See pg. 46 for replacement containers and pg. 45 for lids.

* Reduced depth



Aluminum Bottom Mount Rev-A-Motion® Waste Container Pullouts

PRODUCT	DESCRIPTION	DIMS	MCOFL	MCOFF	CAB	FINISH	SLP
5149-15DM-111	Single 35 qt.	12-1/8" (308 mm) W x 22" (559 mm) D x 19-1/2" (495 mm) H	12-1/4" (311 mm)	11-1/2" (292 mm)	B15	White/Alum	\$367.85
5149-15DM-117	Single 35 qt.	12-1/8" (308 mm) W x 22" (559 mm) D x 19-1/2" (495 mm) H	12-1/4" (311 mm)	11-1/2" (292 mm)	B15	Silver/Alum	\$369.70
5149-15DM18-111	Single 35 qt.*	12-1/8" (308 mm) W x 18" (457 mm) D x 19-1/2" (495 mm) H	12-1/4" (311 mm)	11-1/2" (292 mm)	B15	White/Alum	\$373.80
5149-15DM18-117	Single 35 qt.*	12-1/8" (308 mm) W x 18" (457 mm) D x 19-1/2" (495 mm) H	12-1/4" (311 mm)	11-1/2" (292 mm)	B15	Silver/Alum	\$373.80
5149-1550DM-111	Single 50 qt.	12-1/8" (308 mm) W x 22" (559 mm) D x 23-1/2" (597 mm) H	12-1/4" (311 mm)	11-1/2" (292 mm)	FHB15	White/Alum	\$373.05
5149-1550DM-117	Single 50 qt.	12-1/8" (308 mm) W x 22" (559 mm) D x 23-1/2" (597 mm) H	12-1/4" (311 mm)	11-1/2" (292 mm)	FHB15	Silver/Alum	\$371.15
5149-1527DM-211	Double 27 qt.	12-1/8" (308 mm) W x 22" (559 mm) D x 19-1/2" (495 mm) H	12-1/4" (311 mm)	11-1/2" (292 mm)	B15	White/Aum	\$386.45
5149-1527DM-217	Double 27 qt.	12-1/8" (308 mm) W x 22" (559 mm) D x 19-1/2" (495 mm) H	12-1/4" (311 mm)	11-1/2" (292 mm)	B15	Silver/Aum	\$392.25
5149-18DM-211	Double 35 qt.	14-3/16" (360 mm) W x 22" (559 mm) D x 19-1/2" (495 mm) H	14-1/2" (368 mm)	14-1/2" (368 mm)	B18	White/Alum	\$369.60
5149-18DM-217	Double 35 qt.	14-3/16" (360 mm) W x 22" (559 mm) D x 19-1/2" (495 mm) H	14-1/2" (368 mm)	14-1/2" (368 mm)	B18	Silver/Alum	\$369.60
5149-2150DM-211	Double 50 qt.	15-5/8" (397 mm) W x 22" (559 mm) D x 23-1/2" (597 mm) H	15-3/4" (400 mm)	15-3/4" (400 mm)	FHB21	White/Alum	\$384.45
5149-2150DM-217	Double 50 qt.	15-5/8" (397 mm) W x 22" (559 mm) D x 23-1/2" (597 mm) H	15-3/4" (400 mm)	15-3/4" (400 mm)	FHB21	Silver/Alum	\$384.45



- Designed for 15", 18" and 21" base cabinets
- Single 35 and 50 qt. and double 27, 35 and 50 qt. polymer containers, metallic silver or white
- 10" high door mountable aluminum frame
- Full-extension with 1-1/2" over-travel, brushed aluminum, 85 lb. rated slides with soft-close
- Rear storage with all single units
- Mounts to cabinet door and floor
- Compo+ US Patent No.'s: 8,978,917/ 9,309,049/ 9,669,995
- Built-in door mount brackets
- 35 and 50 qt. polymer lids available (sold separately)

Door Mount Extension Bracket

- Designed for our 5349 Aluminum Bottom Mount Series
- Extension brackets attach to the existing door brackets
- Eliminates need for a sub door
- Allow adjustment from 3/4" - 2-1/2" per side

5349-18DM-217

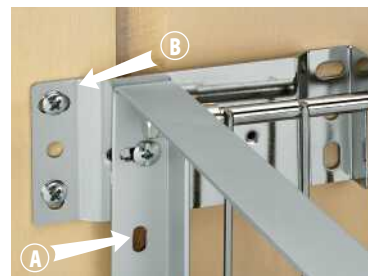
NOTE: Depending on cabinet construction and pull hardware, a lid on the rear waste container may not fully function. See pg. 46 for replacement containers and pg. 45 for lids.



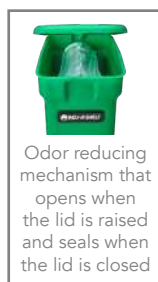
5349-15DM-1
Single 35 qt. Waste Container
(White/aluminum finish shown)



5349-1527DM-217
Double 27 qt. Waste Container
(Metallic Silver/aluminum finish shown)



5349-18CKWH-2
Single Compost and Single 35 qt. Waste Container
(White/white/aluminum finish shown)
See pg. 40 for more information

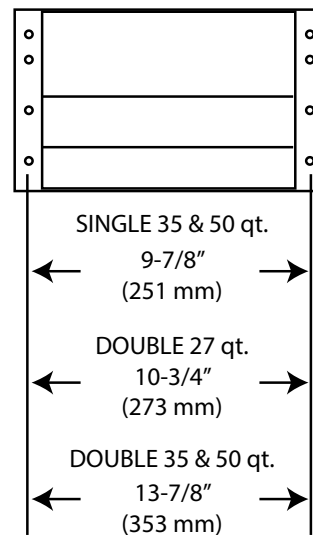


Odor reducing mechanism that opens when the lid is raised and seals when the lid is closed



5349-1550DM-117
Single 50 qt. Waste Container
(Silver/aluminum finish shown)

HOLE SPREAD DIMENSIONS



** select "WH" for white, "OG" for orion gray, "BK" for black, "GR" for green

Aluminum Bottom Mount Waste Container Pullouts w/ Soft-Close

PRODUCT	DESCRIPTION	DIMS	MCO	CAB	FINISH	SLP
5349-15DM-1	Single 35 qt.	10-3/4" (273 mm) W x 21-15/16" (557 mm) D x 19-1/4" (489 mm) H	11" (279 mm)	B15	White/Alum	\$355.55
5349-15DM18-1	Single 35 qt.	10-13/16" (275 mm) W x 18" (457 mm) D x 19-5/16" (491 mm) H	11" (279 mm)	B15	White/Alum	\$348.85
5349-15DM-117	Single 35 qt.	10-3/4" (273 mm) W x 21-15/16" (557 mm) D x 19-1/4" (489 mm) H	11" (279 mm)	B15	Silver/Alum	\$400.20
5349-15DM18-117	Single 35 qt.	10-13/16" (275 mm) W x 18" (457 mm) D x 19-5/16" (491 mm) H	11" (279 mm)	B15	Silver/Alum	\$400.20
5349-1550DM-1	Single 50 qt.	10-3/4" (273 mm) W x 21-15/16" (557 mm) D x 23-1/8" (588 mm) H	11" (279 mm)	FHB15	White/Alum	\$383.95
5349-1550DM-117	Single 50 qt.	10-3/4" (273 mm) W x 21-15/16" (557 mm) D x 23-1/8" (588 mm) H	11" (279 mm)	FHB15	Silver/Alum	\$400.50
5349-1527DM-2	Double 27 qt.	11-11/16" (297 mm) W x 22-1/4" (565 mm) D x 18-15/16" (481 mm) H	12" (305 mm)	B15	White/Alum	\$359.00
5349-1527DM-217	Double 27 qt.	11-11/16" (297 mm) W x 22-1/4" (565 mm) D x 18-15/16" (481 mm) H	12" (305 mm)	B15	Silver/Alum	\$417.90
5349-18DM-2	Double 35 qt.	14-13/16" (376 mm) W x 21-7/8" (556 mm) D x 19-1/4" (489 mm) H	15" (381 mm)	B18	White/Alum	\$383.95
5349-18DM-217	Double 35 qt.	14-13/16" (376 mm) W x 22-1/8" (562 mm) D x 19-1/4" (489 mm) H	15" (381 mm)	B18	Silver/Alum	\$436.90
5349-2150DM-2	Double 50 qt.	14-13/16" (376 mm) W x 22-1/8" (562 mm) D x 22-15/16" (583 mm) H	15" (381 mm)	FHB18	White/Alum	\$416.15
5349-2150DM-217	Double 50 qt.	14-13/16" (376 mm) W x 22-1/8" (562 mm) D x 22-15/16" (583 mm) H	15" (381 mm)	FHB18	Silver/Alum	\$461.40

Aluminum Bottom Mount Compost Pullouts w/ Soft-Close

5349-15CK**-1	Single Compo+ Bin	10-13/16" (275 mm) W x 18" (457 mm) D x 18-1/16" (459 mm) H	12" (305 mm)	B15	**/Alum	\$435.00
5349-18CK**-2	Compo+ Bin w/one 35 qt. Container	14-13/16" (376 mm) W x 22-1/8" (562 mm) D x 19-1/16" (484 mm) H	15" (381 mm)	B18	**/White/Alum	\$507.50

Accessories

5345-DM-KIT-1	Door Mount Extension Brackets				Chrome	\$34.05
CP-BAGROLL-1	Replacement Compost Bags (1 Roll, 12 Bags)					\$14.50
CP-FILTER-1	Replacement Charcoal Filter (2)					\$23.05
CK-1117**-1	Replacement Compo+ Bin					\$71.20



- Designed for 15" and 18" base cabinets
- Single 35 and 50 qt. and double 27, 35 and 50 qt. polymer containers, available in orion gray, champagne or metallic silver
- Full-extension, progressive roller, 90 lb. rated, concealed slides with soft-close
- Powder-coated wire frame, available in champagne or metallic silver
- Mounts to cabinet floor
- Pre-assembled door mounting brackets
- Rear storage bin with all single units
- 35 and 50 qt. polymer lids available (sold separately)

53WC-1535SCDM-113



For video visit:
rev-a-shelf.com/videos

NOTE: Depending on cabinet construction and pull hardware, a lid on the rear waste container may not fully function. See pg. 46 for replacement containers and pg. 45 for lids.



Full-extension, progressive roller, 90 lb. rated, concealed slides with soft-close



Pre-assembled door mount brackets



53WC-1535SCDM-112
Single 35 qt. Waste Container
(Champagne finish shown)



53WC-1550SCDM-117
Single 50 qt. Waste Container
(Metallic silver finish shown)



53WC-1527SCDM-213
Double 27 qt. Waste Container
(Orion gray finish shown)



53WC-1835SCDM-212
Double 35 qt. Waste Container
(Champagne finish shown)



53WC-2150SCDM-217
Double 50 qt. Waste Container
(Metallic silver finish shown)

Steel Bottom Mount Waste Container Pullouts w/ Soft-Close Slides

PRODUCT	DESCRIPTION	DIMS	MCO	CAB	FINISH	SLP
53WC-1535SCDM-113	Single 35 qt.	10-7/8" (276 mm) W x 22-1/4" (565 mm) D x 19" (483 mm) H	11-1/2" (292 mm)	B15	Orion Gray	\$250.85
53WC-1535SCDM-112	Single 35 qt.	10-7/8" (276 mm) W x 22-1/4" (565 mm) D x 19" (483 mm) H	11-1/2" (292 mm)	B15	Champagne	\$252.15
53WC-1535SCDM-117	Single 35 qt.	10-7/8" (276 mm) W x 22-1/4" (565 mm) D x 19" (483 mm) H	11-1/2" (292 mm)	B15	Metallic Silver	\$243.00
53WC-1550SCDM-113	Single 50 qt.	10-7/8" (276 mm) W x 22-1/4" (565 mm) D x 22-7/8" (581 mm) H	11-1/2" (292 mm)	FHB15	Orion Gray	\$252.75
53WC-1550SCDM-112	Single 50 qt.	10-7/8" (276 mm) W x 22-1/4" (565 mm) D x 22-7/8" (581 mm) H	11-1/2" (292 mm)	FHB15	Champagne	\$254.05
53WC-1550SCDM-117	Single 50 qt.	10-7/8" (276 mm) W x 22-1/4" (565 mm) D x 22-7/8" (581 mm) H	11-1/2" (292 mm)	FHB15	Metallic Silver	\$243.45
53WC-1527SCDM-213	Double 27 qt.	11-1/4" (286 mm) W x 22-3/32" (561 mm) D x 18-15/16" (481 mm) H	11-1/2" (292 mm)	B15	Orion Gray	\$262.75
53WC-1527SCDM-212	Double 27 qt.	11-1/4" (286 mm) W x 22-3/32" (561 mm) D x 18-15/16" (481 mm) H	11-1/2" (292 mm)	B15	Champagne	\$262.75
53WC-1527SCDM-217	Double 27 qt.	11-1/4" (286 mm) W x 22-3/32" (561 mm) D x 18-15/16" (481 mm) H	11-1/2" (292 mm)	B15	Metallic Silver	\$253.45
53WC-1835SCDM-213	Double 35 qt.	14-3/8" (365 mm) W x 22-1/4" (565 mm) D x 19" (483 mm) H	15" (381 mm)	B18	Orion Gray	\$261.30
53WC-1835SCDM-212	Double 35 qt.	14-3/8" (365 mm) W x 22-1/4" (565 mm) D x 19" (483 mm) H	15" (381 mm)	B18	Champagne	\$261.30
53WC-1835SCDM-217	Double 35 qt.	14-3/8" (365 mm) W x 22-1/4" (565 mm) D x 19" (483 mm) H	15" (381 mm)	B18	Metallic Silver	\$253.90
53WC-2150SCDM-213	Double 50 qt.	14-3/4" (375 mm) W x 22-1/4" (565 mm) D x 22-7/8" (581 mm) H	15" (381 mm)	FHB18	Orion Gray	\$268.25
53WC-2150SCDM-212	Double 50 qt.	14-3/4" (375 mm) W x 22-1/4" (565 mm) D x 22-7/8" (581 mm) H	15" (381 mm)	FHB18	Champagne	\$269.55
53WC-2150SCDM-217	Double 50 qt.	14-3/4" (375 mm) W x 22-1/4" (565 mm) D x 22-7/8" (581 mm) H	15" (381 mm)	FHB18	Metallic Silver	\$258.10

53TM Series

Steel Top Mount



- Designed for full access 18" and 24" base cabinets with 5/8" or 3/4" side walls
- 4 configurations available:
 - Double 35 qt. polymer containers, metallic silver
 - Double 50 qt. polymer containers, metallic silver
 - Double 35 qt. and double 8 L polymer containers, metallic silver
 - Single 35 qt. and double 8 L polymer containers, metallic silver
- Powder-coated metal frame, metallic silver
- Full-extension with 1-1/2" over-travel, Grass, 90 lb. rated slides with soft-close
- Mounts to cabinet door and side walls
- Pre-assembled door mount brackets
- Built-in metal lid
- (1) green and (1) white 8 L lids



53TM-24GSCDM4-FL



53TM-24GSCDM4-FL
Double 35 qt. and Double 8 L
Waste Container



53TM-1850GSCDM2-FL
Double 50 qt. Waste Container



For video visit:
rev-a-shelf.com/videos

Full Access Steel Top Mount Waste and Recycle Center Pullout w/ Soft-Close

PRODUCT	DESCRIPTION	DIMS	MCO	CAB	FIN-ISH	SLP
53TM-1835GSCDM2-FL	Double 35 qt.	16-7/32" (412 mm) - 16-27/32" (428 mm) W x 21-11/16" (551 mm) D x 19" (483 mm) H	16-7/32" (412 mm)	FLB18	Steel	\$389.45
53TM-1850GSCDM2-FL	Double 50 qt.	16-7/32" (412 mm) - 16-27/32" (428 mm) W x 21-11/16" (551 mm) D x 23" (584 mm) H	16-7/32" (412 mm)	FLFHB18	Steel	\$400.50
53TM-18GSCDM3-FL	Sgl. 35 qt. and Dbl. 8 L	16-7/32" (412 mm) - 16-27/32" (428 mm) W x 21-11/16" (551 mm) D x 19" (483 mm) H	16-7/32" (412 mm)	FLB18	Steel	\$390.75
53TM-24GSCDM4-FL	Dbl. 35 qt. and Dbl. 8 L	22-1/8" (562 mm) - 22-3/4" (578 mm) W x 21-11/16" (551 mm) D x 19" (483 mm) H	22-1/8" (562 mm)	FLFHB24	Steel	\$418.90



- Designed for 24" base cabinets
- (1) machine washable canvas bag and (3) 25 qt. polymer bins, available in all white or (1) yellow, green and blue each
- Chrome wire frame
- Full-extension with 1-1/2" over-travel, ball-bearing, 150 lb. rated slides with soft-close
- Mounts to cabinet floor
- Built-in door mount brackets

5BBSC-WMDM24-C



5BBSC-WMDM24-W
Triple 25 qt. w/ (1) Canvas Liner
(White finish shown)



5BBSC-WMDM24-C
Triple 25 qt. w/ (1) Canvas Liner
(Multi-color finish shown)



For video visit:
rev-a-shelf.com/videos

Recycle Center Bottom Mount Pullout w/ Soft-Close

PRODUCT	DESCRIPTION	DIMS	MCO	CAB	FINISH	SLP
5BBSC-WMDM24-C	Triple 25 qt. w/ (1) Canvas Liner	20" (508 mm) W x 22-1/8" (562 mm) D x 20-1/8" (511 mm) H	20-1/4" (514 mm) - FF 20-1/4" (514 mm) - FL	B24	Multi/Chrome	\$430.95
5BBSC-WMDM24-W	Triple 25 qt. w/ (1) Canvas Liner	20" (508 mm) W x 22-1/8" (562 mm) D x 20-1/8" (511 mm) H	20-1/4" (514 mm) - FF 20-1/4" (514 mm) - FL	B24	White/Chrome	\$428.90

- Designed for 15", 18" and 24" base cabinets
- Single 35 qt. and double 30 and 35 qt. polymer containers, metallic silver or white
- Maple dovetail frame with semi-gloss finish
- 2 slide configurations available:
 - 35 qt. containers include full-extension with 1-1/2" over-travel, ball-bearing, 150 lb. rated concealed slides
 - 30 qt. containers include full-extension with 3/4" over-travel, 132 lb. rated, concealed slides with BLUMOTION soft-close
- Rear storage with single 35 qt. and double 30 qt. units
- Mounts to cabinet door and floor
- Pre-assembled door mount brackets
- 35 and 50 qt. polymer lids available (sold separately)
- TSCA Title VI compliant



4WC-24DM2-SC



4WC-15DM1
Single 35 qt. Waste Container
(White/maple shown)



4WC-18DM2
Double 35 qt. Waste Container
(White/maple shown)

NOTE: Depending on cabinet construction and pull hardware, a lid on the rear waste container may not fully function. See pg. 46 for replacement containers and pg. 45 for lids.

Maple Bottom Mount Waste Container Pullouts w/ BLUMOTION Soft-Close

PRODUCT	DESCRIPTION	DIMS	MCO	CAB	FINISH	SLP
4WC-24DM2-SC	Double 30 qt.	20-31/32" (532 mm) W x 22-1/4" (565 mm) D x 19-5/8" (498 mm) H	20-1/2" (521 mm) - FF 21" (533 mm) - FL	B24	Silver/Maple	\$401.65

Maple Bottom Mount Waste Container Pullouts w/ Ball-Bearing Slide

4WC-15DM1	Single 35 qt.	11-1/4" (286 mm) W x 21-3/4" (553 mm) D x 19-1/4" (489 mm) H	11-1/2" (292 mm) - FF 11-1/2" (292 mm) - FL	B15	White/Maple	\$281.30
4WC-18DM2	Double 35 qt.	14-1/4" (362 mm) W x 21-3/4" (553 mm) D x 19-1/4" (489 mm) H	14-1/2" (368 mm) - FF 14-1/2" (368 mm) - FL	B18	White/Maple	\$296.65



- Designed for 15", 18" and 21" base cabinets
- Single and double 35 and 50 qt. polymer containers, Orion gray
- Walnut dovetail frame with satin finish (7-1/2" frame height)
- Full-extension with 3/4" over-travel, MOVENTO, 132 lb. rated, concealed slides with BLUMOTION soft-close
- Rear storage with all single units
- Mounts to cabinet door and floor
- Pre-assembled door mount brackets
- (1) matching lid
- TIP-ON technology available (sold separately)
- TSCA Title VI compliant

4WC-18DM2-SC



4WC-WN-15DM1-SC
Single 35 qt. Waste Container



Walnut dovetail construction



Pre-assembled door mount brackets

NOTE: Single 35 and 50 qt. face frame minimum opening is less than the product width. Single unit hardware extends past bottom mount bracket. Depending on cabinet construction and pull hardware, a lid on the rear waste container may not fully function. See pg. 46 for replacement containers and pg. 45 for lids.

Walnut Bottom Mount MOVENTO Waste Container Pullouts w/ Soft-Close and (1) Lid

PRODUCT	DESCRIPTION	DIMS	MCO	CAB	FINISH	SLP
4WC-WN-15DM1-SC	Single 35 qt.	12" (305 mm) W x 22-1/8" (562 mm) D x 19-1/4" (489 mm) H	12" (305 mm)	B15	Orion Gray/Walnut	\$517.35
4WC-WN-1550DM1-SC	Single 50 qt.	12" (305 mm) W x 22-1/8" (562 mm) D x 23-3/8" (594 mm) H	12" (305 mm)	FHB15	Orion Gray/Walnut	\$521.00
4WC-WN-18DM2-SC	Double 35 qt.	15" (381 mm) W x 22-1/8" (562 mm) D x 19-1/4" (489 mm) H	15" (381 mm)	B18	Orion Gray/Walnut	\$517.50
4WC-WN-2150DM2-SC	Double 50 qt.	15" (381 mm) W x 22-1/8" (562 mm) D x 23-3/8" (594 mm) H	18" (457 mm)	FHB21	Orion Gray/Walnut	\$521.00

TIP-ON Kit

4WC-TOKIT-12	12" TIP-ON Kit	3-1/2" (89 mm) W x 9" (229 mm) D x 1-3/4" (44 mm) H				\$67.70
4WC-TOKIT-15	15" TIP-ON Kit	3-1/2" (89 mm) W x 9" (229 mm) D x 1-3/4" (44 mm) H				\$67.70
4WC-TOKIT-18	18" TIP-ON Kit	3-1/2" (89 mm) W x 9" (229 mm) D x 1-3/4" (44 mm) H				\$67.70



4WCBM-2430DM-2

REV-A-MOTION
SOFT OPEN SOFT CLOSE

- Designed for 15", 18", 21" and 24" base cabinets
- Single 35 and 50 qt. and double 30, 35 and 50 qt. polymer containers, metallic silver
- Natural maple dovetail frame with semi-gloss finish (7-1/2" frame height)
- Full-extension with 1-1/2" over-travel, ball-bearing, 150 lb. rated, concealed slides with Rev-A-Motion® soft-open/soft-close assist (US Patent No. 8,091,971)
- Rear storage with all single and double 30 qt. units
- Mounts to cabinet door and floor
- Pre-assembled door mount brackets
- 35 and 50 qt. polymer lids available (sold separately)
- TSCA Title VI compliant

NOTE: Single 35 and 50 qt. face frame minimum opening is less than the product width. Single unit hardware extends past bottom mount bracket. Depending on cabinet construction and pull hardware, a lid on the rear waste container may not fully function. See pg. 46 for replacement containers and pg. 45 for lids.



4WCBM-15DM-1
Single 35 qt. Waste Container
(White/maple finish shown)



4WCBM-1550DM-1
Single 50 qt. Waste Container
(Silver/maple finish shown)



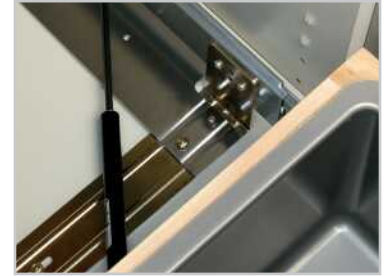
4WCBM-2430DM-2
Double 30 qt. Waste Container
(Silver/maple finish shown)



4WCBM-2150DM-2
Double 50 qt. Waste Container
(Silver/maple finish shown)



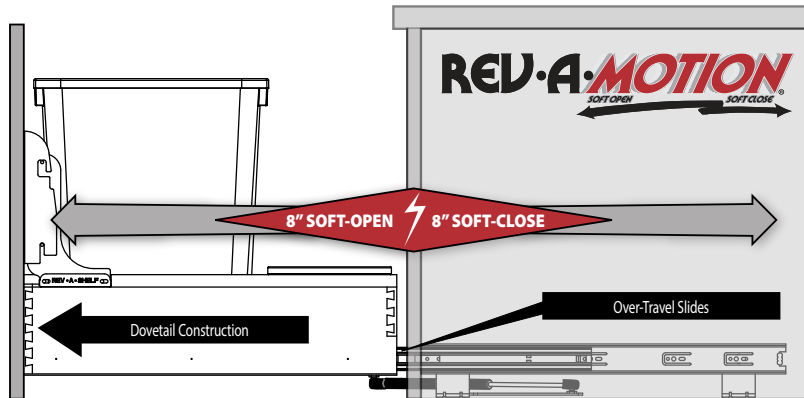
Fully concealed under mount design



Rev-A-Motion® soft-close piston



Maple dovetail construction



Maple Bottom Mount Waste Container Pullouts w/ Rev-A-Motion®

PRODUCT	DESCRIPTION	DIMS	MCOFL	MCOFF	CAB	FINISH	SLP
4WCBM-15DM-1	Single 35 qt.	12" (305 mm) W x 21-3/4" (553 mm) D x 19-1/4" (489 mm) H	12-3/4" (324 mm)	11-1/2" (293 mm)	B15	Silver/Maple	\$386.70
4WCBM-1550DM-1	Single 50 qt.	12" (305 mm) W x 21-3/4" (553 mm) D x 23-3/16" (589 mm) H	12-3/4" (324 mm)	11-1/2" (293 mm)	FHB15	Silver/Maple	\$395.25
4WCBM-2430DM-2	Double 30 qt.	20-1/4" (514 mm) W x 21-3/4" (553 mm) D x 19-1/4" (489 mm) H	20-1/2" (520 mm)	20-1/2" (520 mm)	B24	Silver/Maple	\$489.40
4WCBM-18DM-2	Double 35 qt.	14-1/4" (362 mm) W x 21-3/4" (553 mm) D x 19-1/4" (489 mm) H	14-1/2" (368 mm)	14-1/2" (368 mm)	B18	Silver/Maple	\$406.00
4WCBM-2150DM-2	Double 50 qt.	17-1/4" (438 mm) W x 21-3/4" (553 mm) D x 23-3/16" (589 mm) H	17-1/2" (445 mm)	17-1/2" (445 mm)	FHB21	Silver/Maple	\$454.60



4WCSC-2150DM-2

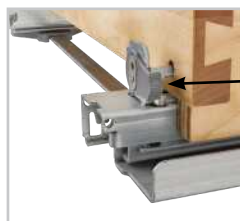
- Designed for 15", 18" and 21" base cabinets
- Single 32, 35, and 50 qt. and double 35 and 50 qt. polymer containers, gray (32 qt. only) or metallic silver
- Natural maple dovetail frame with semi-gloss finish
- Full-extension with 3/4" over-travel, MOVENTO, 132 lb. rated, concealed slides with BLUMOTION soft-close
- Available with Blum SERVO-DRIVE technology, uses standard 110V wall socket
- Rear storage with all single 35 and 50 qt. units
- Mounts to cabinet door and floor
- Patented door mount brackets with 5" of adjustability and micro-trim adjuster (US Patent No. 8,388,076)
- TIP-ON technology available (sold separately)
- 35 and 50 qt. polymer lids available (sold separately)
- Compo+ US Patent No.'s: 8,978,917/ 9,309,049/ 9,669,995
- TSCA Title VI compliant

TOOL FREE ADJUSTMENT! ALSO AVAILABLE WITH TIP-ON OR SERVO-DRIVE TECHNOLOGY


Height adjustment
Max 1/8" lift



Side-to-side adjustment
Max-1/16"



Tilt/skew adjustment for top of door



Curved design hugs the waste bin keeping it securely in place

NOTE: Depending on cabinet construction and pull hardware, a lid on the rear waste container may not fully function. See pg. 46 for replacement containers and pg. 45 for lids.



4WCSC/D-1535DM-1
Single 35 qt. Waste Container
(Silver/maple finish shown)



4WCSC-1535DM19-1
Single 35 qt. Waste Container,
Reduced Depth
(Silver/maple finish shown)



4WCSC-1532DM16-1
Single 32 qt. Waste Container,
Reduced Depth
(Gray/maple finish shown)



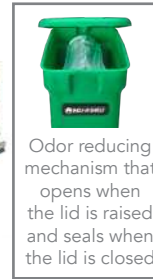
BLUM
MOVENTO
concealed soft-
close slides



SERVO-
DRIVE touch-
to-open
technology
(sold
separately)



4WCSC/D-2150DM-2
Double 50 qt. Waste Container
(Silver/maple finish shown)



Odor reducing
mechanism that
opens when the
lid is raised and
seals when the
lid is closed



4WCSC-1835CKGR-2
Compost Bin w/ Single 35 qt.
Waste Container
(Green/white and maple finish shown)
See pg. 40 for more information

** select "WH" for white, "OG" for orion gray, "BK" for black, "GR" for green

Maple Bottom Mount MOVENTO Waste Container Pullouts w/ BLUMOTION Soft-Close

PRODUCT	DESCRIPTION	DIMS	MCO	CAB	FINISH	SLP
4WCSC-1532DM16-1	Single 32 qt. w/ TANDEM Slides	12" (305 mm) W x 15" (381 mm) D x 19-1/2" (495 mm) H	12" (305 mm)	B15	Gray/Maple	\$276.95
4WCSC-1535DM-1	Single 35 qt.	12" (305 mm) W x 21-21/32" (550 mm) D x 19-1/2" (495 mm) H	12" (305 mm)	B15	Silver/Maple	\$367.45
4WCSC-1535DM19-1	Single 35 qt. w/ TANDEM Slides	12" (305 mm) W x 18-5/8" (473 mm) D x 19-1/2" (495 mm) H	12" (305 mm)	B15	Silver/Maple	\$318.70
4WCSC-1550DM-1	Single 50 qt.	12" (305 mm) W x 21-3/4" (553 mm) D x 23-3/8" (594 mm) H	12" (305 mm)	FHB 15	Silver/Maple	\$366.55
4WCSC-1835DM-2	Double 35 qt.	15" (381 mm) W x 21-3/4" (553 mm) D x 20-3/8" (518 mm) H	15" (381 mm)	B18	Silver/Maple	\$402.40
4WCSC-1835DMND-2	Double 35 qt. for Inset	15" (381 mm) W x 21-3/4" (553 mm) D x 20-3/8" (518 mm) H	15" (381 mm)	B18	Silver/Maple	\$397.00
4WCSC-2135DM-2	Double 35 qt.	18" (457 mm) W x 21-3/4" (553 mm) D x 20-3/8" (518 mm) H	18" (457 mm)	B21	Silver/Maple	\$432.95
4WCSC-2150DM-2	Double 50 qt.	18" (457 mm) W x 21-3/4" (553 mm) D x 24-1/4" (616 mm) H	18" (457 mm)	FHB21	Silver/Wood	\$449.80

Maple Bottom Mount MOVENTO Electric Assist Waste Container Pullouts w/ Soft-Close and SERVO-DRIVE

4WCSD-1535DM-1	Single 35 qt.	12" (305 mm) W x 22-1/2" (572 mm) D x 19-1/2" (495 mm) H	12" (305 mm)	B15	Silver/Maple	\$856.55
4WCSD-1550DM-1	Single 50 qt.	12" (305 mm) W x 22-1/2" (572 mm) D x 23-3/8" (594 mm) H	12" (305 mm)	FHB15	Silver/Maple	\$859.70
4WCSD-1835DM-2	Double 35 qt.	15" (381 mm) W x 22-1/2" (572 mm) D x 19-1/2" (495 mm) H	15" (381 mm)	B18	Silver/Maple	\$895.45
4WCSD-2150DM-2	Double 50 qt.	18" (457 mm) W x 22-1/2" (572 mm) D x 24-1/4" (616 mm) H	18" (457 mm)	FHB21	Silver/Maple	\$940.50

Maple Bottom Mount Compost Pullouts w/ BLUMOTION Soft-Close

4WCSC-CK**-1	Single Compo+ Bin	12" (305 mm) W x 18-1/2" (470 mm) D x 18-5/8" (473 mm) H	12" (305 mm)	B18	**/Maple	\$450.10
4WCSC-1835CK**-2	Compo+ Bin w/ 35 qt.	15" (381 mm) W x 22" (559 mm) D x 19-1/2" (495 mm) H	15" (381 mm)	B18	**/White/Maple	\$520.70

Accessories

CP-BAGROLL-1	Replacement Compost+ Bags (1 Roll, 12 Bags)					\$14.50
CP-FILTER-1	Replacement Charcoal Filter (2)					\$23.05
CK-1117**-1	Replacement Compo+ Bin					\$71.20
4WC-TOKIT-12	12" TIP-ON Kit	3-1/2" (89 mm) W x 9" (229 mm) D x 1-3/4" (44 mm) H				\$67.70
4WC-TOKIT-15	15" TIP-ON Kit	3-1/2" (89 mm) W x 9" (229 mm) D x 1-3/4" (44 mm) H				\$67.70
4WC-TOKIT-18	18" TIP-ON Kit	3-1/2" (89 mm) W x 9" (229 mm) D x 1-3/4" (44 mm) H				\$67.70

4VLWCSC Series

Value Line
Waste Container

- Designed for 15", 18" and 21" base cabinets
- Single and double 35 and 50 qt. polymer containers, white
- Dovetail plywood box w/ semi-gloss finish
- Full-extension, 75 lb. rated, concealed slides with soft-close
- Rear storage with all single units
- Mounts to cabinet door and floor
- Patented door mount brackets with 5" of adjustability and micro-trim adjuster (US Patent No. 8,388,076)
- 35 and 50 qt. polymer lids available (sold separately)
- TSCA Title VI compliant

4VLWCSC-1535DM-1



Patented door mount brackets with 5" of adjustability and micro-trim adjuster (US Patent No. 8,388,076)



Universal box fits both 35 and 50 qt. cans



Dovetail plywood box w/ semi-gloss finish



4VLWCSC-1835DM-2
Double 35 qt. Waste Container
(White/Wood finish shown)



4VLWCSC-2150DM-2
Double 50 qt. Waste Container
(White/Wood finish shown)

PALLET PROGRAM

Our Value Line waste containers are available in pallet quantities.

- Volume Pricing
- Reduced transportation cost
- Minimal storage space
- Environmentally conscious packaging



Value Line Bottom Mount Waste Container Drawer Box w/ Soft-Close Slides

PRODUCT	DESCRIPTION	DIMS	MCO	CAB	FINISH	SLP
4VLWCSC-1535DM-1	Single 35 qt.	11-1/2" (292 mm) W x 21-1/2" (546 mm) D x 19-5/8" (499 mm) H	FF: 11-1/2" (292 mm) FL: 11-3/4" (298 mm)	B15	White/Wood	\$253.30
4VLWCSC-1550DM-1	Single 50 qt.	11-1/2" (292 mm) W x 21-1/2" (546 mm) D x 23-17/32" (598 mm) H	FF: 11-1/2" (292 mm) FL: 11-3/4" (298 mm)	FHB15	White/Wood	\$256.65
4VLWCSC-1835DM-2	Double 35 qt.	14-1/2" (368 mm) W x 21-1/2" (546 mm) D x 19-5/8" (499 mm) H	FF: 14-1/2" (368 mm) FL: 14-3/4" (375 mm)	B18	White/Wood	\$271.15
4VLWCSC-2135DM-2	Double 35 qt.	17-1/2" (445 mm) W x 21-1/2" (546 mm) D x 19-5/8" (499 mm) H	FF: 17-1/2" (445 mm) FL: 17-3/4" (451 mm)	B21	White/Wood	\$294.35
4VLWCSC-2150DM-2	Double 50 qt.	17-1/2" (445 mm) W x 21-1/2" (546 mm) D x 23-17/32" (598 mm) H	FF: 17-1/2" (445 mm) FL: 17-3/4" (451 mm)	FHB21	White/Wood	\$302.30



4WCTM-2450BBSCDM-2

- Designed for 15", 18", 21", 24" and 27" base cabinets
- Single 35 and 50 qt., double 27, 35 and 50 qt. and quadruple 27 qt. polymer containers, metallic silver or white
- Natural maple frame with semi-gloss finish
- Full-extension with 1-1/2" over-travel, ball-bearing, 150 lb. rated slides (soft-close options available)
- Rear storage with all single units
- Side storage with 4WCTM-2450BBSCDM
- Mounts to cabinet door, rear and sidewalls
- Adjustable rear mount brackets and pre-assembled door mount brackets
- 35 and 50 qt. polymer lids available (sold separately)
- Compo+ US Patent No.'s: 8,978,917, 9,309,049, 9,669,995
- TSCA VI compliant

NOTE: 4WCTM-27-4 AND 4WCTM-27-4-597-FL can not be door mounted. Rear storage bin with all 4WCTM single units: 10-3/8" (264 mm) W x 7-3/8" (187 mm) D x 6-3/8" (162 mm) H. Depending on cabinet construction and pull hardware, a lid on the rear waste container may not fully function. See pg. 46 for replacement containers and pg. 45 for lids.



Front of slides mount to the face frame of the cabinet



Adjustable rear mounting brackets for various cabinet depths



4WCTM Spacer kit for customized cabinet applications provides up to 1-1/2" per side



4WCTM-12DM1
Single 35 qt. Waste Container
(White/maple finish shown)



4WCTM-1816DM-1
Single 35 qt. Waste Container
Reduced Depth
(Silver/maple finish shown)



4WCTM-15DM2
Double 27 qt. Waste Container
(White/maple finish shown)



4WCTM-27-4
Quadruple 27 qt. Waste Container
(White/maple finish shown)
CANNOT BE DOOR MOUNTED



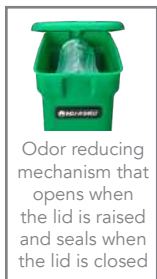
4WCTM-1550DM1-343-FL
Single 50 qt. Waste Container
(Frameless)
(White/maple finish shown)



4WCTM-2150BBSCDM-2
Double 50 qt. Waste Container
w/ Ball-Bearing Soft-Close
(Silver/maple finish shown)



4WCTM-18CKWHSCDM2
Maple Top Mount Compo+
w/ 35 qt. Waste Container
(White/maple finish shown)
See pg. 40 for more information



Odor reducing mechanism that opens when the lid is raised and seals when the lid is closed



4WCTM-2450BBSCDM-2
Double 50 qt. Waste Container
w/ Ball-Bearing Soft-Close
(Silver/maple finish shown)

Pricing and specs on the following page

4WCTM Series

* Reduced depth

** Full Height Required

PRODUCT	DESCRIPTION	DIMS	MCO	CAB	FINISH	SLP
Maple Top Mount Waste Container Pullouts						
1-1/2" Face Frame						
4WCTM-12DM1	Single 35 qt.	12" (305 mm) W x 22-3/4" (578 mm) D x 17-7/8" (454 mm) H	12" (305 mm)	FFB15	White/Maple	\$148.75
4WCTM-1516DM-1	Single 35 qt.*	12" (305 mm) W x 16-7/16" (418 mm) D x 18" (457 mm) H	12" (305 mm)	FFB15	Silver/Maple	\$123.70
4WCTM-1816DM-1	Single 35 qt.*	15" (381 mm) W x 16-1/4" (413 mm) D x 18" (457 mm) H	15" (381 mm)	FFB18	Silver/Maple	\$128.70
4WCTM-1550DM-1	Single 50 qt.**	12" (305 mm) W x 23-1/4" (591 mm) D x 21-3/4" (553 mm) H	12" (305 mm)	FFFHB15	White/Maple	\$159.95
4WCTM-1850DM-1	Single 50 qt.**	15" (381 mm) W x 23-1/4" (591 mm) D x 22-3/4" (578 mm) H	15" (381 mm)	FFFHB18	White/Maple	\$197.65
4WCTM-15DM2	Double 27 qt.	12" (305 mm) W x 23-1/4" (591 mm) D x 17-3/4" (451 mm) H	12" (305 mm)	FFB15	White/Maple	\$180.40
4WCTM-18DM2	Double 35 qt.	15" (381 mm) W x 22-1/2" (572 mm) D x 17-7/8" (454 mm) H	15" (381 mm)	FFB18	White/Maple	\$181.10
4WCTM-21DM2	Double 35 qt.	18" (457 mm) W x 22-3/4" (578 mm) D x 17-7/8" (454 mm) H	18" (457 mm)	FFB21	White/Maple	\$211.70
4WCTM-24DM2	Double 35 qt.	21" (533 mm) W x 22-3/4" (578 mm) D x 17-7/8" (454 mm) H	21" (533 mm)	FFB24	White/Maple	\$236.65
4WCTM-2150DM-2	Double 50 qt.**	18" (457 mm) W x 23-1/4" (591 mm) D x 21-3/4" (553 mm) H	18" (457 mm)	FFFHB21	White/Maple	\$197.35
4WCTM-27-4	Quad 27 qt.	24" (610 mm) W x 23-1/4" (591 mm) D x 18" (457 mm) H	24" (609 mm)	FFB27	White/Maple	\$230.40
1-5/8" Face Frame						
4WCTM-12DM1-162	Single 35 qt.	11-3/4" (299 mm) W x 22-3/4" (578 mm) D x 17-7/8" (454 mm) H	11-3/4" (299 mm)	FFB15	White/Maple	\$151.80
4WCTM-1818DM-1-162	Single 35 qt.*	14-3/4" (375 mm) W x 17-7/8" (454 mm) D x 17-7/8" (454 mm) H	14-3/4" (375 mm)	FFB18	White/Maple	\$138.90
4WCTM-15DM2-162	Double 27 qt.	11-3/4" (299 mm) W x 23-1/4" (591 mm) D x 17-7/8" (454 mm) H	11-3/4" (299 mm)	FFB15	White/Maple	\$178.05
4WCTM-18DM2-162	Double 35 qt.	14-3/4" (375 mm) W x 22-3/4" (578 mm) D x 17-7/8" (454 mm) H	14-3/4" (375 mm)	FFB18	White/Maple	\$180.25
4WCTM-21DM2-162	Double 35 qt.	17-3/4" (451 mm) W x 22-3/4" (578 mm) D x 17-7/8" (454 mm) H	17-3/4" (451 mm)	FFB21	White/Maple	\$192.25
4WCTM-24DM2-162	Double 35 qt.	20-3/4" (527 mm) W x 22-3/4" (578 mm) D x 17-7/8" (454 mm) H	20-3/4" (527 mm)	FFB24	White/Maple	\$204.75
1-3/4" Face Frame						
4WCTM-12DM1-175	Single 35 qt.	11-1/2" (292 mm) W x 22-1/4" (565 mm) D x 17-7/8" (454 mm) H	11-1/2" (292 mm)	FFB15	White/Maple	\$157.20
4WCTM-18DM2-175	Double 35 qt.	14-1/2" (368 mm) W x 22-1/4" (565 mm) D x 17-7/8" (454 mm) H	14-1/2" (368 mm)	FFB18	White/Maple	\$184.75
Frameless - Side mount (Except 4WCTM-21DM2-495-FL which has back mount bracket)						
4WCTM-12DM1-343-FL	Single 35 qt.	13-1/2" (343 mm) W x 22-3/4" (578 mm) D x 17-7/8" (454 mm) H	13-1/2" (343 mm)	FLB15	White/Maple	\$156.00
4WCTM-1550DM1-343-FL	Single 50 qt.**	13-1/2" (343 mm) W x 23-1/4" (591 mm) D x 21-3/4" (553 mm) H	13-1/2" (343 mm)	FLFHB15	White/Maple	\$165.15
4WCTM-15DM2-343-FL	Double 27 qt.	13-1/2" (343 mm) W x 23-1/4" (591 mm) D x 17-3/4" (451 mm) H	13-1/2" (343 mm)	FLB15	White/Maple	\$190.80
4WCTM-18DM2-419-FL	Double 35 qt.	16-1/2" (419 mm) W x 22-3/4" (578 mm) D x 17-7/8" (454 mm) H	16-1/2" (419 mm)	FLB18	White/Maple	\$191.85
4WCTM-1850DM2-419-FL	Double 50 qt.**	16-1/2" (419 mm) W x 23-1/4" (591 mm) D x 21-3/4" (553 mm) H	16-1/2" (419 mm)	FLFHB18	White/Maple	\$207.05
4WCTM-21DM2-495-FL	Double 35 qt.	19-1/2" (495 mm) W x 23-1/4" (591 mm) D x 17-3/4" (451 mm) H	19-1/2" (495 mm)	FLB21	White/Maple	\$195.45
4WCTM-27-4-597-FL	Quad 27 qt.	25-1/2" (648 mm) W x 23-1/4" (591 mm) D x 17-3/4" (451 mm) H	25-1/2" (648 mm)	FLB27	White/Maple	\$238.40
Inset						
4WCTM-12INDM-1	Single 35 qt.	12" (305 mm) W x 22-1/8" (562 mm) D x 17-7/8" (454 mm) H	12" (305 mm)	B15	Silver/Maple	\$178.35
4WCTM-18INDM-2	Double 35 qt.	15" (381 mm) W x 22-1/8" (562 mm) D x 17-7/8" (454 mm) H	15" (381 mm)	B18	Silver/Maple	\$213.30
Maple Top Mount Waste Container Pullouts w/ Soft-Close						
1-1/2" Face Frame						
4WCTM-12BBSCDM1	Single 35 qt.	12" (305 mm) W x 22-3/4" (578 mm) D x 17-7/8" (454 mm) H	12" (305 mm)	FFB15	Silver/Maple	\$171.40
4WCTM-15BBSCDM2	Double 27 qt.	12" (305 mm) W x 23-1/4" (591 mm) D x 17-3/4" (451 mm) H	12" (305 mm)	FFB15	Silver/Maple	\$204.75
4WCTM-18BBSCDM2	Double 35 qt.	15" (381 mm) W x 22-3/4" (578 mm) D x 17-7/8" (454 mm) H	15" (381 mm)	FFB18	Silver/Maple	\$205.45
4WCTM-1550BBSCDM-1	Single 50 qt.**	12" (305 mm) W x 23-1/4" (591 mm) D x 21-3/4" (553 mm) H	12" (305 mm)	FFFHB15	Silver/Maple	\$179.50
4WCTM-2150BBSCDM-2	Double 50 qt.**	18" (457 mm) W x 23-1/4" (591 mm) D x 21-3/4" (553 mm) H	18" (457 mm)	FFFHB21	Silver/Maple	\$220.10
4WCTM-2450BBSCDM-2	Double 50 qt.	21" (533 mm) W x 22-1/2" (572 mm) D x 21-3/4" (553 mm) H	21" (533 mm)	FHB24	Silver/Maple	\$311.75
Maple Top Mount Compost Pullouts w/ Soft-Close						
4WCTM-12CK**SCDM1	Single Compo+	12" (305 mm) W x 22-7/8" (581 mm) D x 16-15/16" (430 mm) H	12" (305 mm)	B15	**/Maple	\$285.95
4WCTM-18CK**SCDM2	Compo+ w/ 35 qt.	15" (381 mm) W x 22-7/8" (581 mm) D x 19-7/8" (504 mm) H	15" (381 mm)	B18	**/White/Maple	\$293.90
Accessories						
4WCTM-SP-KIT	For Custom Face Frame Installations	1-1/2" (38 mm) W x 22-7/16" (565 mm) D x 2-7/16" (62 mm) H				\$29.60

** select "WH" for white, "OG" for orion gray, "BK" for black, "GR" for green . - For use in compo+ unit only



- Designed for 18" and 21" base cabinets
- Single and double 50 qt. polymer containers, orion gray
- Walnut dovetail frame with satin finish
- Full-extension with 1-1/2" over-travel, ball-bearing, 150 lb. rated, concealed slides with Rev-A-Motion® soft-open/soft-close (US Patent No. 8,297,722)
- Rear storage with single units
- Mounts to cabinet door, rear and side walls
- Adjustable rear mount brackets and pre-assembled door mount brackets
- 35 and 50 qt. polymer lids available (sold separately)
- TSCA Title VI compliant

4WCTM-WNRM-2150DM-2



4WCTM-WNRM-1850DM-1
Single 50 qt. Waste Container
(Orion gray/walnut finish shown)



4WCTM-RM-2135DM-2
Double 35 qt. Waste Container
(Silver/maple finish shown)



Additional mending plate for frameless applications

NOTE: See pg. 46 for replacement containers and pg. 45 for lids.

Preset Hole Locations

	Side Mounting Bracket Location	Product Member Hole Location	Mending Plate Hole Location
1-1/2" (38 mm) Face Frame	C	C	N/A
1-5/8" (41 mm) Face Frame	B	B	N/A
1-3/4" (45 mm) Face Frame	A	A	N/A
Frameless with 3/4" (19 mm) Wall	B	A	2 & 5
Frameless with 11/16" (18 mm) Wall	B	D	1 & 8
Frameless with 7/8" (22 mm) Wall	B	B	3 & 8

Walnut Top Mount Waste Container Pullouts w/ Rev-A-Motion® Soft-Close

PRODUCT	DESCRIPTION	DIMS	MCO	CAB	FINISH	SLP
4WCTM-WNRM-1850DM-1	Single 50 qt.	15-1/4" (387 mm) W x 21-3/4" (553 mm) D x 24-3/4" (629 mm) H	14-1/2" (368 mm) - FF 15-3/8" (391 mm) - FL	FHB18	Orion Gray/Walnut	\$522.60
4WCTM-WNRM-2150DM-2	Double 50 qt.	18-1/4" (464 mm) W x 21-3/4" (553 mm) D x 24-3/4" (629 mm) H	17-1/2" (445 mm) - FF 18-3/8" (467 mm) - FL	FHB21	Orion Gray/Walnut	\$524.45

Maple Top Mount Waste Container Pullouts w/ Rev-A-Motion® Soft-Close

4WCTM-RM-1835DM-1	Single 35 qt.	15-1/4" (387 mm) W x 21-3/4" (553 mm) D x 21" (533 mm) H	14-1/2" (368 mm) - FF 15-3/8" (391 mm) - FL	B18	Metallic Silver/Maple	\$386.15
4WCTM-RM-1850DM-1	Single 50 qt.	15-1/4" (387 mm) W x 21-3/4" (553 mm) D x 24-3/4" (629 mm) H	14-1/2" (368 mm) - FF 15-3/8" (391 mm) - FL	FHB18	Metallic Silver/Maple	\$403.95
4WCTM-RM-2135DM-2	Double 35 qt.	18-1/4" (464 mm) W x 21-3/4" (553 mm) D x 21" (533 mm) H	17-1/2" (445 mm) - FF 18-3/8" (467 mm) - FL	B21	Metallic Silver/Maple	\$398.45
4WCTM-RM-2150DM-2	Double 50 qt.	18-1/4" (464 mm) W x 21-3/4" (553 mm) D x 24-3/4" (629 mm) H	17-1/2" (445 mm) - FF 18-3/8" (467 mm) - FL	FHB 21	Metallic Silver/Maple	\$411.80

8-010

- Designed for 33" and 36" sink base cabinets
- Single black polymer container with built-in handle, 14 or 15 L
- Stainless steel or white lacquer finish
- Lid rises as container pivots out
- Mounts to cabinet door, floor and side walls

8-700

- Designed for full access 36" sink base cabinets
- Single white polymer bin with built-in handle, 20 L
- Lid rises as container pivots out
- Mounts to cabinet door and side walls



8-010314-15



8-010412-15
Single 15 L Waste Container
(White lacquered shown)



8-700411-20
Single 20 L Waste Container
(White polymer finish shown)

Under Sink Waste Container Pivot Outs

PRODUCT	DESCRIPTION	DIMS	MCO	CAB	FINISH	SLP
8-010212-14	Single 14 L	11" (279 mm) W x 10-1/2" (267 mm) D x 17-1/8" (435 mm) H	13-3/4" (350 mm)	SB33	White Lacquered	\$101.05
8-010412-15	Single 15 L	11-3/4" (299 mm) W x 11" (279 mm) D x 17" (432 mm) H	14-3/4" (375 mm) - FF 14-3/4" (375 mm) - FL	SB36	White Lacquered	\$111.65
8-010314-15	Single 15 L	11-3/4" (299 mm) W x 11" (279 mm) D x 17" (432 mm) H	14-3/4" (375 mm) - FF 14-3/4" (375 mm) - FL	SB36	Stainless Steel	\$139.50
8-700411-20	Single 20 L	15-3/4" (400 mm) W x 7-1/4" (185 mm) D x 18" (457 mm) H	17-1/2" (445 mm)	SB36	White Polymer	\$179.20



- Designed for 30" sink base cabinets
- Double stainless steel containers with handles, (1) 10 L and (1) 20 L
- Full-extension, ball-bearing, 75 lb. rated slides
- Mounts to cabinet floor
- Built-in polymer lid
- Door mountable frame available

8-785-30-2SS



8-785-30-DM2SS
Sgl. 10 L and Sgl. 20 L
Waste Container

Stainless Steel Under Sink Mount Waste Container Pullouts

PRODUCT	DESCRIPTION	DIMS	MCO	CAB	FINISH	SLP
8-785-30-2SS	10 L and 20 L	10-1/4" (260 mm) W x 18-3/4" (476 mm) D x 15-3/16" (386 mm) H	11" (279 mm)	SB30	Stainless Steel	\$428.75
8-785-30-DM2SS	10 L and 20 L w/ Door Mount	10-1/4" (260 mm) W x 18-3/4" (476 mm) D x 15-3/16" (386 mm) H	11" (279 mm)	SB30	Stainless Steel	\$443.10

5SBWC Series

- Designed for 24" and larger sink base cabinets
- Double metallic silver polymer containers with handles, (1) 8 L and (1) 15 L
- Full-extension, under mount, 75 lb. rated, concealed slides with soft-close
- Mounts to cabinet floor
- (1) green lid and (1) white lid
- Door mount kit available (sold separately)



For video visit:
rev-a-shelf.com/videos



Wire Under Sink Pullout



Wire Under Sink Waste Pullout

PRODUCT	DESCRIPTION	DIMS	MCO	CAB	FINISH	SLP
5SBWC-815S-1	(1) 8 L and (1) 15 L	8-15/16" (227 mm) W x 18-5/8" (473 mm) D x 14-1/4" (362 mm) H	9" (229 mm)	SB24+	Silver	\$145.70

Accessories

5WB-DMKIT	Door Mount Kit				Silver Epoxy	\$34.95
-----------	----------------	--	--	--	--------------	---------

4SOWC Series

- Designed for 30" vanity base cabinets
- Single 8 L polymer container, metallic silver
- Maple dovetail frame with semi-gloss finish
- Mounts to cabinet door
- (4) Patented pre-assembled adjustable door mount brackets (US Patent No. 7,204,569)
- (1) white lid
- TSCA Title VI compliant



Maple Door Mount



Maple Door Mount Vanity Waste Container

PRODUCT	DESCRIPTION	DIMS	MCO	CAB	FINISH	SLP
4SOWC-8-1	Single 8 qt.	10-3/8" (264 mm) W x 7-3/8" (187 mm) D x 12-5/16" (313 mm) H	12-3/4" (324 mm)	VB30	Silver	\$66.80

Counter Top Mount

8-060 Series



- Designed for countertop installation
- 12-1/4" diameter
- Removable 11 or 13 L polymer bin with built-in handle, black
- Stainless steel lid and rubber inner ring

Counter Top Mount Waste Containers

PRODUCT	DESCRIPTION	DIMS	FINISH	SLP
8-060-11SS	11 L	Diameter 12-1/4" (311 mm) W x 11-5/8" (295 mm) H	Stainless Steel/Black	\$301.60
8-060-15SS	13 L	Diameter 12-1/4" (311 mm) W x 13-1/4" (337 mm) H	Stainless Steel/Black	\$309.55

TIP-ON Kit



4WC-TOKIT-18



TOKIT Series

- Designed for all standard depth waste containers, 4WCSC Series, and 5LB LEGRABOX Series
- 4-dimensional adjustment ensures precise gap layout
- Open with a touch of a finger
- Adjustment wheel allows a tool-free integrated depth adjustment
- Front gap of just 2.5 mm
- Extensive trigger range is ensured at all times

MOVENTO TIP-ON Kit for 4WCSC Series

PRODUCT	DESCRIPTION	DIMS	SLP
4WC-TOKIT-12	12" 4WCSC TIP-ON Kit	3-1/2" (89 mm) W x 9" (229 mm) D x 1-3/4" (44 mm) H	\$67.70
4WC-TOKIT-15	15" 4WCSC TIP-ON Kit	3-1/2" (89 mm) W x 9" (229 mm) D x 1-3/4" (44 mm) H	\$67.70
4WC-TOKIT-18	18" 4WCSC TIP-ON Kit	3-1/2" (89 mm) W x 9" (229 mm) D x 1-3/4" (44 mm) H	\$67.70

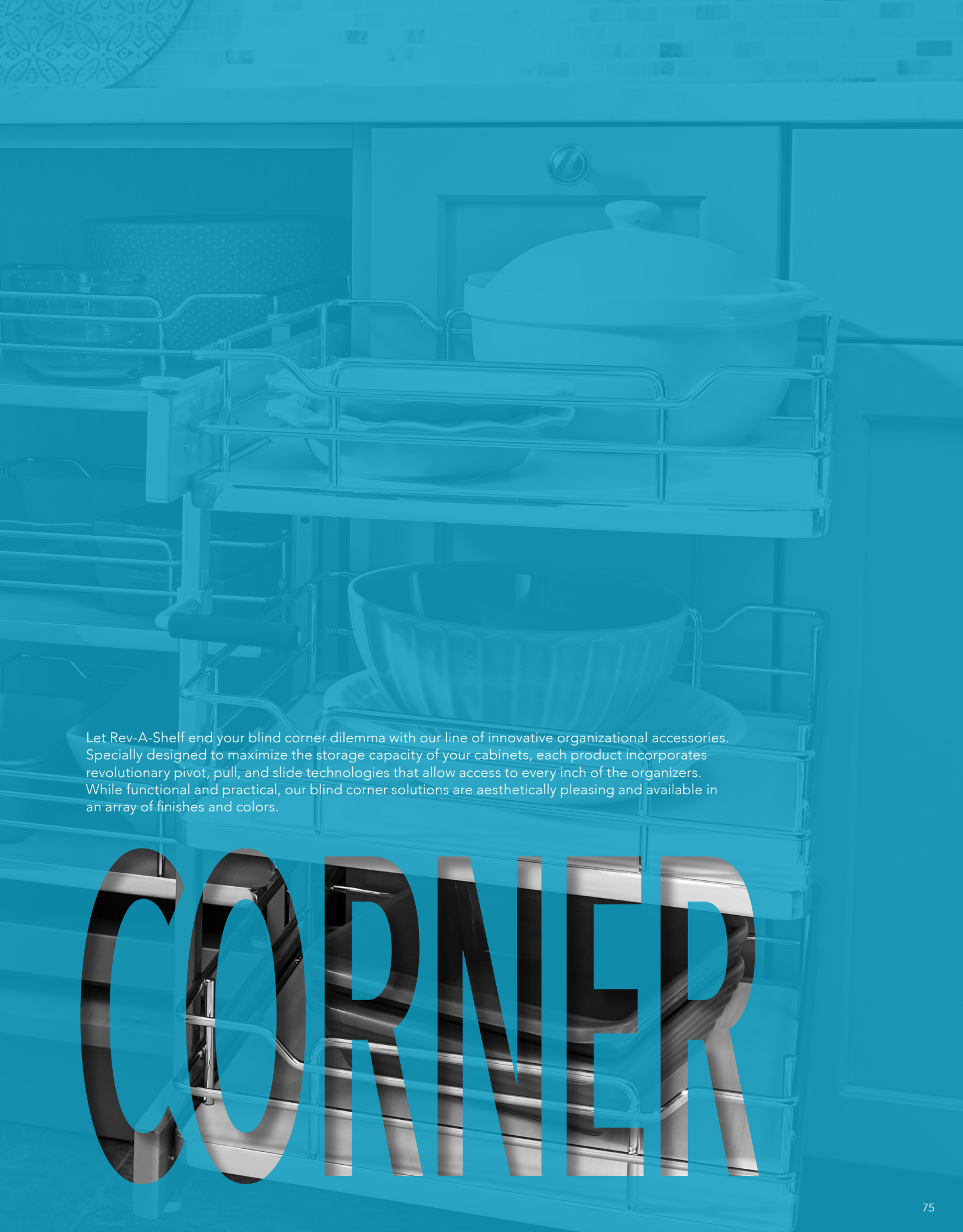
MOVENTO TIP-ON Kit for 5LB Series

5LB-TOKIT-12	12" LEGRABOX TIP-ON Kit	3-1/2" (89 mm) W x 9" (229 mm) D x 1-3/4" (44 mm) H	\$67.70
5LB-TOKIT-15	15" LEGRABOX TIP-ON Kit	3-1/2" (89 mm) W x 9" (229 mm) D x 1-3/4" (44 mm) H	\$67.70
5LB-TOKIT-18	18" LEGRABOX TIP-ON Kit	3-1/2" (89 mm) W x 9" (229 mm) D x 1-3/4" (44 mm) H	\$67.70

21/22.

PROP 65 WARNING FOR CALIFORNIA RESIDENTS
WARNING: These products can expose you to chemicals such as formaldehyde, lead or styrene, which are known to the State of California to cause cancer and birth defects or other reproductive harm. For more information go to www.P65Warnings.ca.gov

BLIND



Let Rev-A-Shelf end your blind corner dilemma with our line of innovative organizational accessories. Specially designed to maximize the storage capacity of your cabinets, each product incorporates revolutionary pivot, pull, and slide technologies that allow access to every inch of the organizers. While functional and practical, our blind corner solutions are aesthetically pleasing and available in an array of finishes and colors.

CORNER



- Designed for 15", 18" and 21" blind corner cabinet openings
- Single and double solid bottom shelves, orion gray
- Textured linen finish with orion gray flat wire accents
- Left or right handed mounting
- Mounts to cabinet floor (single) and side walls (double)
- Mounted telescopic post system (double)
- 45 lb. capacity per shelf
- Soft-close available (sold separately)
- TSCA Title VI compliant

5372-21-FOG-R

**Single
blind corner
organizer for
left door/ blind
right corner**



**Double
blind corner
organizer for
right door/
blind left
corner**



For video visit:
rev-a-shelf.com/videos

PRODUCT #	SURFACE AREA
5371-15	361 sq. in.
5371-18	471 sq. in.
5371-21	527 sq. in.
5372-15	722 sq. in.
5372-18	942 sq. in.
5372-21	1054 sq. in.

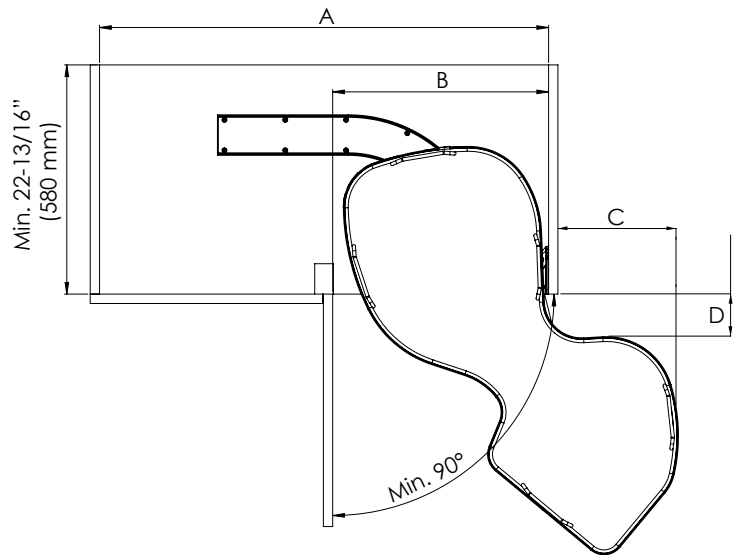
Min. Dimensions				
PRODUCT #	A	B	C	D
5371-15/ 5372-15	34" (864 mm)	15" (381 mm)	7" (180 mm)	4-1/8" (106 mm)
5371-18/5372-18	38" (965 mm)	18" (457 mm)	9-3/16" (233 mm)	3-9/16" (91 mm)
5371-21/5372-21	40" (1016 mm)	21" (533 mm)	9-1/4" (235 mm)	3-7/8" (98 mm)



5371-21-FOG-L
Single Blind Corner organizer for Left Door/Blind Right Cabinet
(21" Shelf shown)



5372-15-FOG-L
Single Blind Corner organizer for Left Door/Blind Right Cabinet
(15" Shelves shown)



Featuring orion gray flat wire with textured linen solid bottom

Single Blind Corner for Right Door/Blind Left Cabinets						
PRODUCT	DESCRIPTION	DIMS	MCO	CAB	FINISH	SLP
5371-15-FOG-R	Single for 15" Cabinet Opening	33" (838 mm) W x 21-7/8" (556 mm) D x 6-1/2" (165 mm) H	15" (381 mm)	BC42	Orion Gray	\$292.75
5371-18-FOG-R	Single for 18" Cabinet Opening	37-5/8" (956 mm) W x 21-9/16" (548 mm) D x 6-1/2" (165 mm) H	18" (457 mm)	BC45	Orion Gray	\$299.70
5371-21-FOG-R	Single for 21" Cabinet Opening	39" (991 mm) W x 21-3/4" (553 mm) D x 6-1/2" (165 mm) H	21" (533 mm)	BC48	Orion Gray	\$301.75
Single Blind Corner for Left Door/Blind Right Cabinets						
5371-15-FOG-L	Single for 15" Cabinet Opening	33" (838 mm) W x 21-7/8" (556 mm) D x 6-1/2" (165 mm) H	15" (381 mm)	BC42	Orion Gray	\$292.75
5371-18-FOG-L	Single for 18" Cabinet Opening	37-5/8" (956 mm) W x 21-9/16" (548 mm) D x 6-1/2" (165 mm) H	18" (457 mm)	BC45	Orion Gray	\$299.70
5371-21-FOG-L	Single for 21" Cabinet Opening	39" (991 mm) W x 21-3/4" (553 mm) D x 6-1/2" (165 mm) H	21" (533 mm)	BC48	Orion Gray	\$301.75
Double Blind Corner for Right Door/Blind Left Cabinets						
5372-15-FOG-R	Double for 15" Cabinet Opening	33" (838 mm) W x 21-7/8" (556 mm) D x 24-1/2" (622 mm) - 30-1/4" (768 mm) H	15" (381 mm)	BC42	Orion Gray	\$699.35
5372-18-FOG-R	Double for 18" Cabinet Opening	37-5/8" (956 mm) W x 21-9/16" (548 mm) D x 24-1/2" (622 mm) - 30-1/4" (768 mm) H	18" (457 mm)	BC45	Orion Gray	\$714.55
5372-21-FOG-R	Double for 21" Cabinet Opening	39" (991 mm) W x 21-3/4" (553 mm) D x 24-1/2" (622 mm) - 30-1/4" (768 mm) H	21" (533 mm)	BC48	Orion Gray	\$719.20
Double Blind Corner for Left Door/Blind Right Cabinets						
5372-15-FOG-L	Double for 15" Cabinet Opening	33" (838 mm) W x 21-7/8" (556 mm) D x 24-1/2" (622 mm) - 30-1/4" (768 mm) H	15" (381 mm)	BC42	Orion Gray	\$699.35
5372-18-FOG-L	Double for 18" Cabinet Opening	37-5/8" (956 mm) W x 21-9/16" (548 mm) D x 24-1/2" (622 mm) - 30-1/4" (768 mm) H	18" (457 mm)	BC45	Orion Gray	\$714.55
5372-21-FOG-L	Double for 21" Cabinet Opening	39" (991 mm) W x 21-3/4" (553 mm) D x 24-1/2" (622 mm) - 30-1/4" (768 mm) H	21" (533 mm)	BC48	Orion Gray	\$719.20
Soft-Close Kit						
5371-SC-KIT-1	Soft-Close Kit for Single Shelf					\$63.80
5372-SC-KIT-2	Soft-Close Kit for Double Shelves					\$129.80



- Designed for 15", 18" and 21" blind corner cabinet openings
- Single and double solid bottom shelves, natural maple or gray
- Chrome round wire accents
- Left or right handed mounting
- Mounts to cabinet floor (single) and side walls (double)
- Mounted telescopic post system (double)
- 45 lb. capacity per shelf
- Soft-close available (sold separately)
- TSCA Title VI compliant

5372-21-MP-L

**Single
blind corner
organizer for
left door/
blind
right corner**



**Double
blind corner
organizer for
right door/
blind left
corner**



For video visit:
rev-a-shelf.com/videos

PRODUCT #	SURFACE AREA
5371-15	361 sq. in.
5371-18	471 sq. in.
5371-21	527 sq. in.
5372-15	722 sq. in.
5372-18	942 sq. in.
5372-21	1054 sq. in.

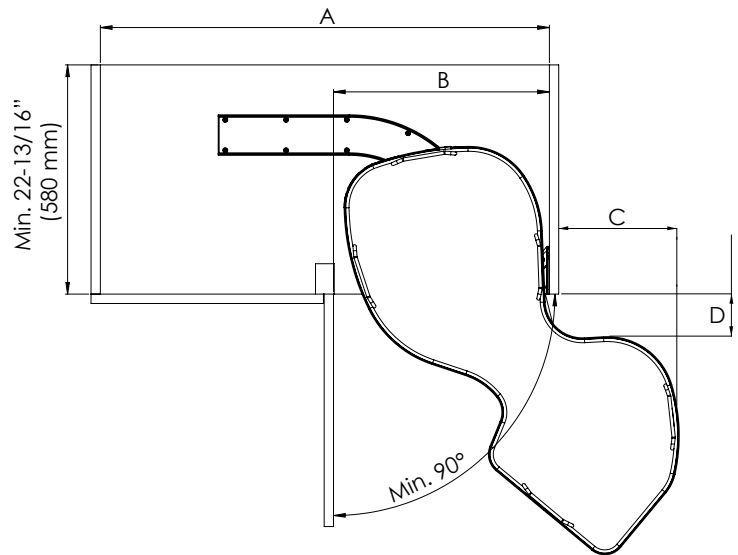
Min. Dimensions				
PRODUCT #	A	B	C	D
5371-15/ 5372-15	34" (864 mm)	15" (381 mm)	7" (180 mm)	4-1/8" (106 mm)
5371-18/5372-18	38" (965 mm)	18" (457 mm)	9-3/16" (233 mm)	3-9/16" (91 mm)
5371-21/5372-21	40" (1016 mm)	21" (533 mm)	9-1/4" (235 mm)	3-7/8" (98 mm)



5371-21-GR-R
Single Blind Corner organizer for
Right Door/Blind Left Cabinet
(21" Gray Shelf shown)



5372-15-MP-L
Single Blind Corner organizer for
Left Door/Blind Right Cabinet
(15" Maple Shelves shown)

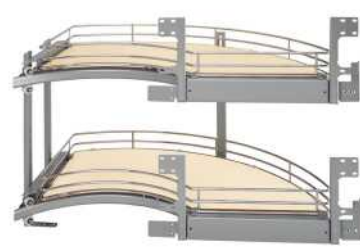
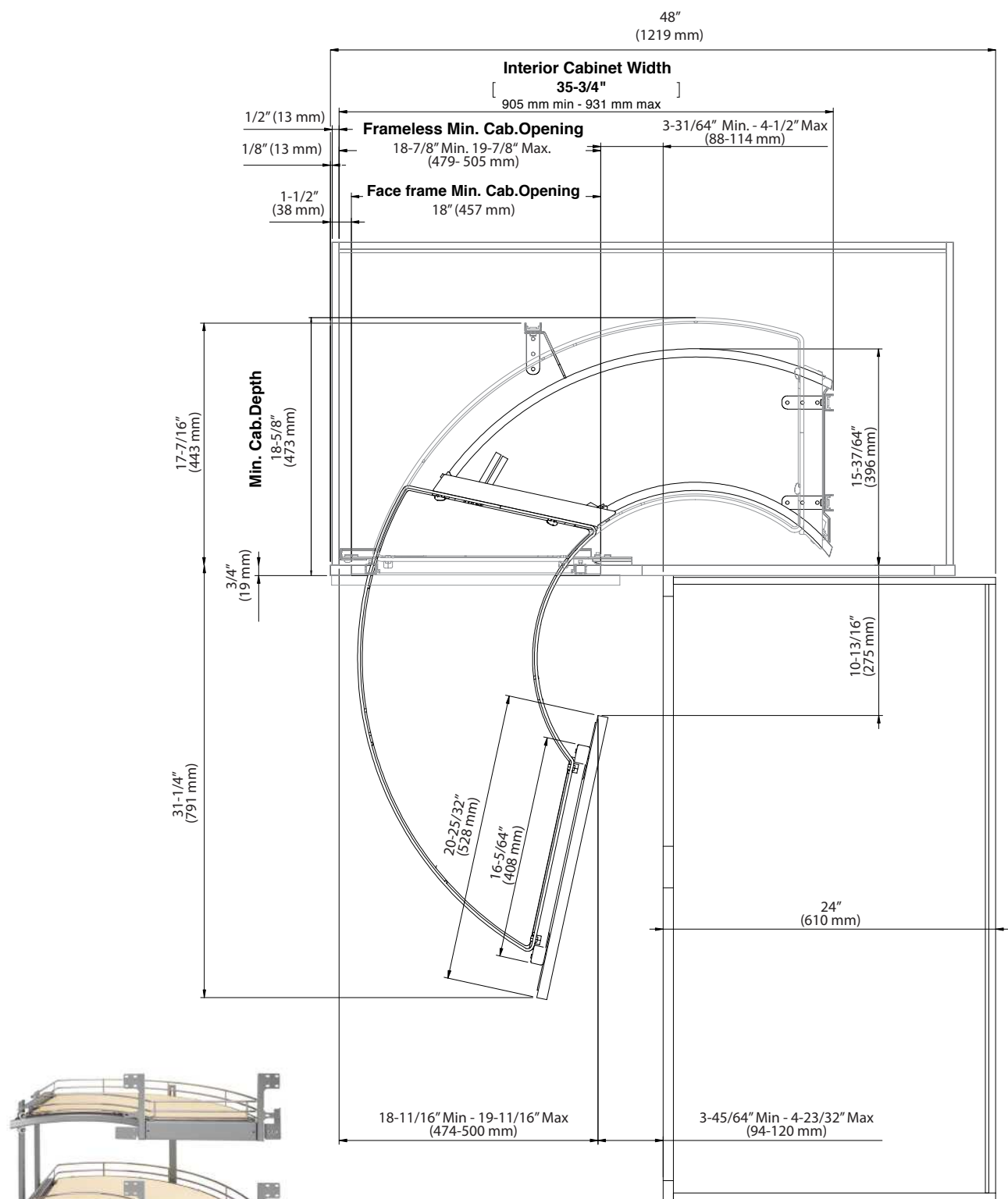


NOTE: ** Insert "MP" for Maple Shelf or "GR" for Gray Shelf

Single Blind Corner for Right Door/Blind Left Cabinets					
PRODUCT	DESCRIPTION	DIMS	MCO	CAB	Maple / Gray
5371-15-**-R	Single for 15" Cabinet Opening	33" (838 mm) W x 21-7/8" (556 mm) D x 6-1/2" (165 mm) H	15" (381 mm)	BC42	\$263.05 / \$257.95
5371-18-**-R	Single for 18" Cabinet Opening	37-5/8" (956 mm) W x 21-9/16" (548 mm) D x 6-1/2" (165 mm) H	18" (457 mm)	BC45	\$270.00 / \$265.05
5371-21-**-R	Single for 21" Cabinet Opening	39" (991 mm) W x 21-3/4" (553 mm) D x 6-1/2" (165 mm) H	21" (533 mm)	BC48	\$271.45 / \$266.35
Single Blind Corner for Left Door/Blind Right Cabinets					
5371-15-**-L	Single for 15" Cabinet Opening	33" (838 mm) W x 21-7/8" (556 mm) D x 6-1/2" (165 mm) H	15" (381 mm)	BC42	\$263.05 / \$257.95
5371-18-**-L	Single for 18" Cabinet Opening	37-5/8" (956 mm) W x 21-9/16" (548 mm) D x 6-1/2" (165 mm) H	18" (457 mm)	BC45	\$270.00 / \$265.05
5371-21-**-L	Single for 21" Cabinet Opening	39" (991 mm) W x 21-3/4" (553 mm) D x 6-1/2" (165 mm) H	21" (533 mm)	BC48	\$271.45 / \$266.35
Double Blind Corner for Right Door/Blind Left Cabinets					
5372-15-**-R	Double for 15" Cabinet Opening	33" (838 mm) W x 21-7/8" (556 mm) D x 24-7/16" (621 mm) - 30-1/4" (768 mm) H	15" (381 mm)	BC42	\$671.50 / \$661.20
5372-18-**-R	Double for 18" Cabinet Opening	37-5/8" (956 mm) W x 21-9/16" (548 mm) D x 24-7/16" (621 mm) - 30-1/4" (768 mm) H	18" (457 mm)	BC45	\$685.55 / \$675.40
5372-21-**-R	Double for 21" Cabinet Opening	39" (991 mm) W x 21-3/4" (553 mm) D x 24-7/16" (621 mm) - 30-1/4" (768 mm) H	21" (533 mm)	BC48	\$688.30 / \$678.30
Double Blind Corner for Left Door/Blind Right Cabinets					
5372-15-**-L	Double for 15" Cabinet Opening	33" (838 mm) W x 21-7/8" (556 mm) D x 24-7/16" (621 mm) - 30-1/4" (768 mm) H	15" (381 mm)	BC42	\$671.50 / \$661.20
5372-18-**-L	Double for 18" Cabinet Opening	37-5/8" (956 mm) W x 21-9/16" (548 mm) D x 24-7/16" (621 mm) - 30-1/4" (768 mm) H	18" (457 mm)	BC45	\$685.55 / \$675.40
5372-21-**-L	Double for 21" Cabinet Opening	39" (991 mm) W x 21-3/4" (553 mm) D x 24-7/16" (621 mm) - 30-1/4" (768 mm) H	21" (533 mm)	BC48	\$688.30 / \$678.30
Soft-Close Kit					
5371-SC-KIT-1	Soft-Close Kit for Single Shelf				\$63.80
5372-SC-KIT-2	Soft-Close Kit for Double Shelves				\$129.80



- Designed for face frame 18" blind corner cabinet openings (full access 18-7/8" min.)
- Two-tier metal frame
- (2) solid bottom shelves with Stylinox™ anti-skid finish, natural maple
- Chrome round wire accents
- Soft-close slides
- Left or right handed mounting
- Mounts to cabinet door, floor and side walls
- Adjustable mounting brackets
- 60 lb. capacity per shelf
- Shelves operate independently
- TSCA Title VI compliant



PRODUCT #	SURFACE AREA
582-18*	361 sq. in.

MINIMUM CABINET HEIGHT
22" (559 mm)

* 18-7/8" to 19-7/8" FULL ACCESS cabinet opening

582-18-RMP
Two-Tier Blind Corner Organizer
(Right Door for Blind Left Corner Cabinet Shown)

Two-Tier Blind Corner							
PRODUCT	DESCRIPTION	DIMS	MCO	MCO Inset	CAB	FINISH	SLP
582-18-RMP	Right Door Mount for Blind Left Corner Cabinet	See Drawing Above	18" (457 mm) - FF 18-7/8" (479 mm) - FL	See Illustration	BC45	Maple/Chrome	\$980.05
582-18-LMP	Left Door Mount for Blind Right Corner Cabinet	See Drawing Above	18" (457 mm) - FF 18-7/8" (479 mm) - FL	See Illustration	BC45	Maple/Chrome	\$980.05

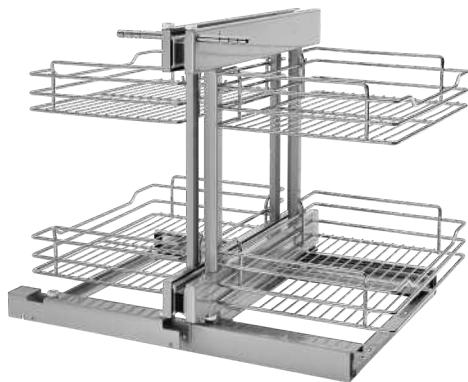


- Designed for 15" and 18" blind corner cabinet openings
- Two- or three-tier wire frame
- (4) or (6) wire bottom shelves with round wire accents
- Full-extension, ball-bearing, 100 lb. rated slides
- Universal mounting, non-handed
- Mounts to cabinet floor
- 15 lb. capacity per shelf
- Soft-close available (sold separately)

5PSP3-18SC-CR



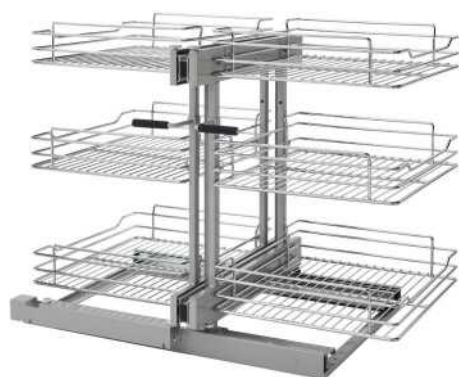
For video visit:
rev-a-shelf.com/videos



5PSP-15-CR
Two-Tier Blind Corner Optimizer
(15" Non Soft-Close version shown)



Unit partially extended



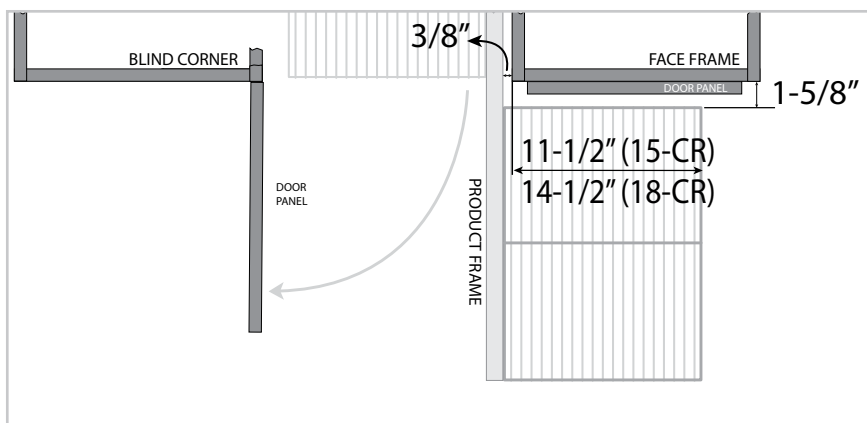
5PSP3-18SC-CR
Three-Tier Blind Corner Optimizer
w/ Soft-Close
(18" version shown)

SPACE BETWEEN SHELVES

- 2 tier soft close = 11"
- 3 tier soft close = 7-15/16"
- 2 tier non soft close = 10-9/32"

- 15" Min. Cabinet Width opening (15-CR)
- 18" Min. Cabinet Width opening (18-CR)
- Both Models:
- 21-21/32" Minimum Inside Cabinet Depth
- 22" Minimum Cabinet Height opening (5PSP)
- 25" Minimum Cabinet Height opening (5PSP3)

PRODUCT #	SURFACE AREA
5PSP-15-CR	194 in ² per shelf
5PSP-18-CR	243 in ² per shelf
5PSP-15SC-CR	194 in ² per shelf
5PSP-18SC-CR	243 in ² per shelf
5PSP3-15-CR	194 in ² per shelf
5PSP3-18-CR	243 in ² per shelf



Three-Tier Wire Bottom Blind Corner Optimizer - Non-Handed w/ Soft-Close

PRODUCT	DESCRIPTION	DIMS	MCO	CAB	FINISH	SLP
5PSP3-15SC-CR	Three-Tier Blind Corner Optimizer	26-1/4" (667 mm) W x 20-1/4" (514 mm) D x 24" (610 mm) H	15" (381 mm)	FHBC42	Chrome	\$695.70
5PSP3-18SC-CR	Three-Tier Blind Corner Optimizer	32-1/4" (819 mm) W x 20-1/4" (514 mm) D x 24" (610 mm) H	18" (457 mm)	FHBC45	Chrome	\$763.40

Two-Tier Wire Bottom Blind Corner Optimizer - Non-Handed w/Soft-Close

5PSP-15SC-CR	Two-Tier Blind Corner Optimizer	26-1/4" (667 mm) W x 20-1/4" (514 mm) D x 21" (533 mm) H	15" (381 mm)	BC42	Chrome	\$613.05
5PSP-18SC-CR	Two-Tier Blind Corner Optimizer	32-1/4" (819 mm) W x 20-1/4" (514 mm) D x 21" (533 mm) H	18" (457 mm)	BC45	Chrome	\$686.30

Two-Tier Wire Bottom Blind Corner Optimizer - Non-Handed

5PSP-15-CR	Two-Tier Blind Corner Optimizer	26-1/4" (667 mm) W x 20-1/4" (514 mm) D x 21" (533 mm) H	15" (381 mm)	BC42	Chrome	\$622.20
5PSP-18-CR	Two-Tier Blind Corner Optimizer	32-1/4" (819 mm) W x 20-1/4" (514 mm) D x 21" (533 mm) H	18" (457 mm)	BC45	Chrome	\$694.10



- Designed for 15" and 18" blind corner cabinet openings
- Two- or three-tier metal frame
- (4) or (6) solid bottom shelves, natural maple, gray or textured linen
- Chrome-plated round wire or orion gray flat wire
- Full-extension, ball-bearing, 100 lb. rated slides with soft-close
- Universal mounting, non-handed
- Mounts to cabinet floor
- 27 lb. (per front shelf) and 34 lb. (per back shelf) capacity
- TSCA Title VI compliant

53PSP-18SC-FOG



53PSP-15SC-FOG
Two-Tier Blind Corner Optimizer w/ Soft-Close
(15" version shown)



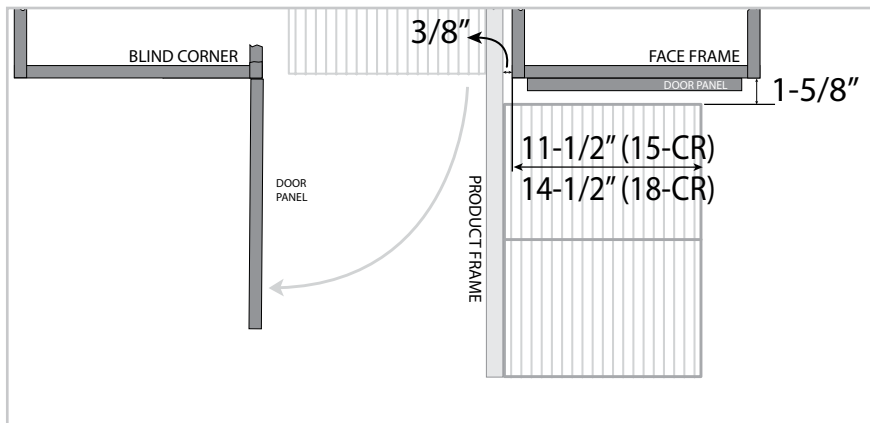
53PSP-15SC-GR
Two-Tier Blind Corner Optimizer w/ Soft-Close
(15" version shown)



53PSP3-18SC-MP
Three-Tier Blind Corner Optimizer w/ Soft-Close
(18" version shown)

SPACE BETWEEN SHELVES
2 tier soft close = 11"
3 tier soft close = 7-15/16"
2 tier non soft close = 10-9/32"

15" Min. Cabinet Width opening (15-CR)
18" Min. Cabinet Width opening (18-CR)
Both Models:
21-21/32" Minimum Inside Cabinet Depth
22" Minimum Cabinet Height opening (53PSP)
25" Minimum Cabinet Height opening (53PSP3)



PRODUCT #	SURFACE AREA
53PSP3-15SC-**	194 in ² per shelf
53PSP3-18SC-**	243 in ² per shelf
53PSP-15SC-**	194 in ² per shelf
53PSP-18SC-**	243 in ² per shelf

Two-Tier Solid Bottom Blind Corner Optimizer - Non-Handed w/ Soft-Close

PRODUCT	DESCRIPTION	DIMS	MCO	CAB	FINISH	SLP
53PSP-15SC-FOG	Two-Tier Blind Corner Optimizer	26-1/4" (667 mm) W x 20-1/4" (514 mm) D x 21" (533 mm) H	15" (381 mm)	BC42	Orion Gray	\$885.50
53PSP-18SC-FOG	Two-Tier Blind Corner Optimizer	32-1/4" (819 mm) W x 20-1/4" (514 mm) D x 21" (533 mm) H	18" (457 mm)	BC45	Orion Gray	\$923.50

NOTE: ** Insert "MP" for Maple Shelf or "GR" for Gray Shelf

Two-Tier Solid Bottom Blind Corner Optimizer - Non-Handed w/ Soft-Close

PRODUCT	DESCRIPTION	DIMS	MCO	CAB	Maple	Gray
53PSP-15SC-**	Two-Tier Blind Corner Optimizer	26-1/4" (667 mm) W x 20-1/4" (514 mm) D x 21" (533 mm) H	15" (381 mm)	BC42	\$799.55	\$789.80
53PSP-18SC-**	Two-Tier Blind Corner Optimizer	32-1/4" (819 mm) W x 20-1/4" (514 mm) D x 21" (533 mm) H	18" (457 mm)	BC45	\$846.35	\$833.90

Three-Tier Solid Bottom Blind Corner Optimizer - Non-Handed w/ Soft-Close

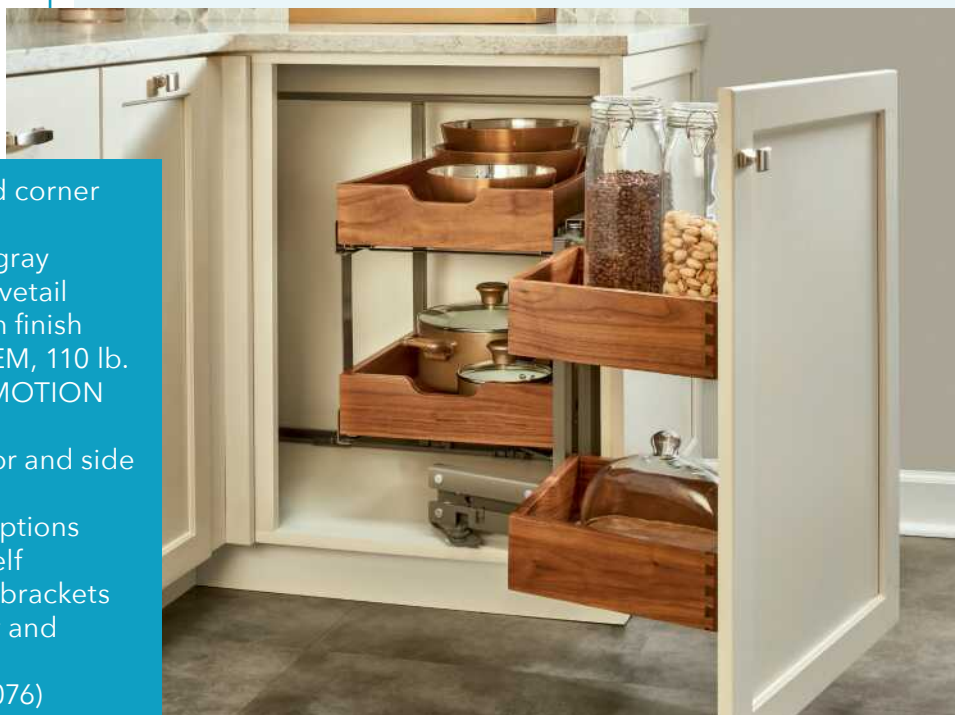
53PSP3-15SC-**	Three-Tier Blind Corner Optimizer	26-1/4" (667 mm) W x 20-1/4" (514 mm) D x 24" (610 mm) H	15" (381 mm)	FHBC42	\$1,023.85	\$1,005.00
53PSP3-18SC-**	Three-Tier Blind Corner Optimizer	32-1/4" (819 mm) W x 20-1/4" (514 mm) D x 24" (610 mm) H	18" (457 mm)	FHBC45	\$1,088.10	\$1,069.25

499 Series

Walnut Two-Tier Blind Corner Optimizer



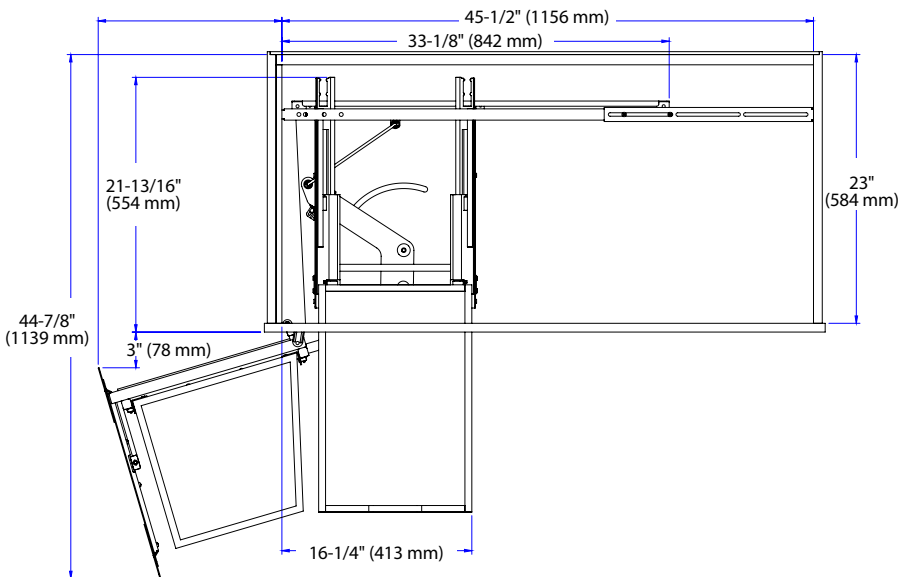
- Designed for 18" blind corner cabinet openings
- Two-tier frame, orion gray
- (4) drawers, walnut dovetail construction with satin finish
- Full-extension, TANDEM, 110 lb. rated slides with BLUMOTION soft-close
- Mounts to cabinet floor and side wall
- Left or right handed options
- 20 lb. capacity per shelf
- Patented door mount brackets with 5" of adjustability and micro-trim adjuster (US Patent No. 8,388,076)
- TSCA Title VI compliant



499-18-RWN



For video visit:
rev-a-shelf.com/videos



499-18-LWN
 Two-Tier Organizer
 (Left 18" version shown)

MINIMUM CABINET HEIGHT

27" (686 mm)

Walnut Two-Tier Blind Corner Optimizer w/ Soft-Close

PRODUCT	DESCRIPTION	DIMS	MCO	CAB	FINISH	SLP
499-18-RWN	Right Door Mount for Blind Left	33-3/16" (842 mm) W x 21-13/16" (554 mm) D x 26" (660 mm) H	17-1/2" (445 mm)	FHBC45	Walnut	\$1,793.05
499-18-LWN	Left Door Mount for Blind Right	33-3/16" (842 mm) W x 21-13/16" (554 mm) D x 26" (660 mm) H	17-1/2" (445 mm)	FHBC45	Walnut	\$1,793.05

Solid Bottom Two-Tier Blind Corner Optimizer

599 Series

Blind Corner Solutions

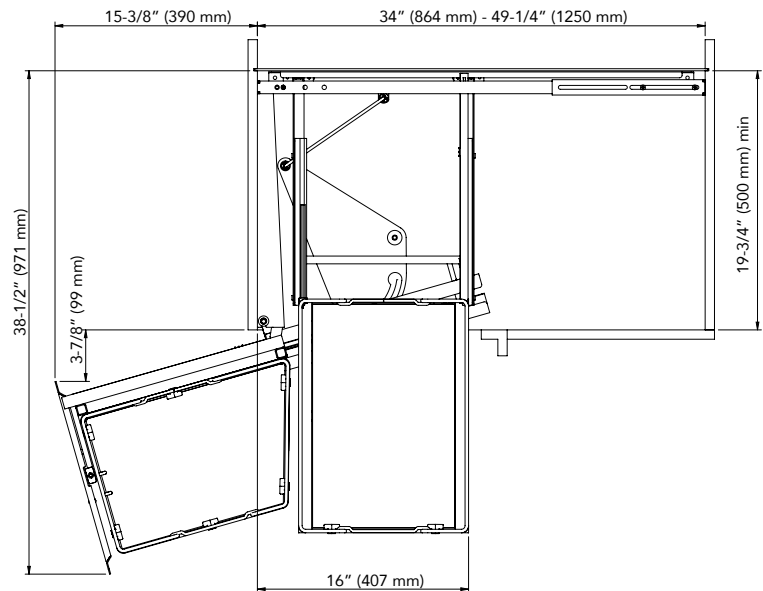


- Designed for 18" blind corner cabinet openings
- Two-tier metal frame
- (4) solid bottom shelves with Stylinox™ anti-skid finish, natural maple
- Chrome round wire accents
- Full-extension, progressive roller, 75 lb. rated slides with soft-close
- Left or right handed mounting
- Mounts to cabinet door, floor and side walls
- Adjustable mounting brackets
- 20 lb. capacity per shelf
- Rear shelves slide forward as door opens
- TSCA Title VI compliant

599-18-LMP



599-18-RMP
Solid Bottom Two-Tier
(Right 18" version shown)



MINIMUM CABINET HEIGHT

26-5/8" (676 mm)

PRODUCT # SURFACE AREA

599-18-L/RMP 726 sq. in.

Solid Bottom Two-Tier Blind Corner Optimizer w/ Soft-Close

PRODUCT	DESCRIPTION	DIMS	MCO	CAB	FINISH	SLP
599-18-LMP	Left Door Mount for Blind Right Corner Cabinet	See Drawings Above	18" (457 mm)	FHBC45	Maple/Chrome	\$1,521.20
599-18-RMP	Right Door Mount for Blind Left Corner Cabinet	See Drawings Above	18" (457 mm)	FHBC45	Maple/Chrome	\$1,521.20

5707 Series

Wire Bottom Two-Tier Blind Corner Optimizer

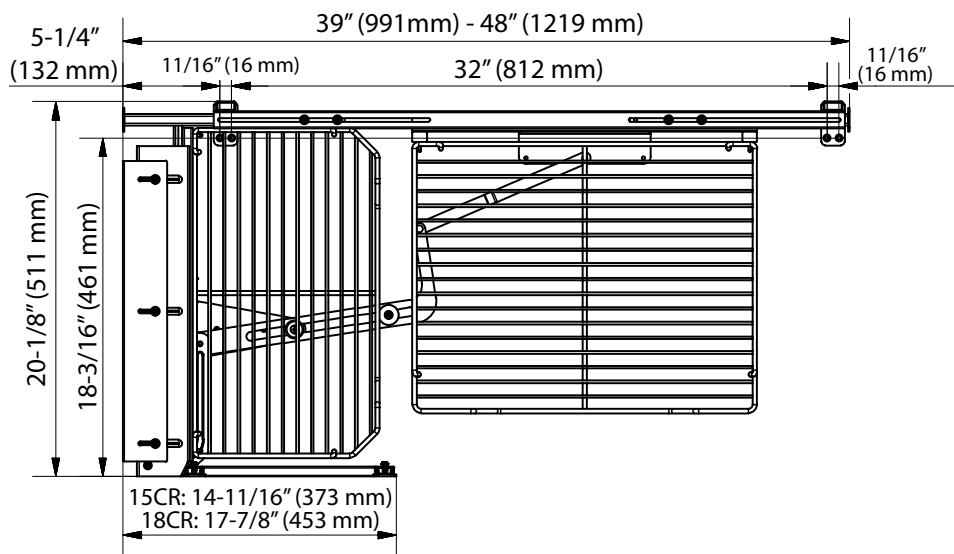
Blind Corner Solutions



- Designed for 15" and 18" blind corner cabinet openings
- Two-tier chrome wire bottom shelves
- Chrome wire accents
- Soft-close slides
- Rear shelves slide forward as cabinet door opens
- Universal door mounting hardware
- Front shelves feature 23 lb. capacity and rear shelves feature 36 lb. capacity per shelf
- Door tilt adjustment screws for precise alignment



5707-18CR



5707-15CR
Wire Bottom Two-tier Blind Corner Optimizer
(15" version shown)



For video visit:
rev-a-shelf.com/videos

MINIMUM CABINET HEIGHT
20-1/2" (521 mm)

Wire Bottom Two-Tier Blind Corner Organizer w/ Soft-Close

PRODUCT	DESCRIPTION	DIMS	MCO	CAB	FINISH	SLP
5707-15CR	Blind Corner Organizer for 15" Opening	See detailed specifications above in illustration	15" (381 mm)	BC42	Chrome	\$967.30
5707-18CR	Blind Corner Organizer for 18" Opening	See detailed specifications above in illustration	18" (457 mm)	BC45	Chrome	\$970.05

Wood Half-Moon Lazy Susan

4WLS/LD-4NW Series

Blind Corner Solutions



- Designed for 12", 15" and 18" blind corner cabinet openings
- Double solid bottom shelves, natural or wood classic
- Wood classic features solid rim and natural features steam bent rim
- Pivot and slide hardware
- 90 degree hinge euro brackets and standard mounting brackets
- Chrome-plated shafts
- TSCA Title VI compliant

4WLS882-35-570



Natural maple half moon Lazy Susan slide and pivot mechanism

Wood Classic Half Moon Lazy Susans

PRODUCT	DESCRIPTION	DIMS	MCO	CAB	FINISH	SLP
4WLS882-32-570	Double Shelf with Pivot and Slide	32" (813 mm) W x 12" (305 mm) D x 18" (457 mm) H	12" (305 mm) - FF 13-1/4" (337 mm) - FL	BC42	Maple	\$392.65
4WLS882-35-570	Double Shelf with Pivot and Slide	35" (889 mm) W x 15" (381 mm) D x 18" (457 mm) H	15" (381 mm) - FF 16-1/4" (413 mm) - FL	BC45	Maple	\$451.25
4WLS882-38-570	Double Shelf with Pivot and Slide	38" (965 mm) W x 18" (457 mm) D x 18" (457 mm) H	18" (457 mm) - FF 19-1/4" (489 mm) - FL	BC48	Maple	\$517.95

Natural Wood Half Moon Lazy Susans

LD-4NW-882-32-1	Double Shelf with Pivot and Slide	32" (813 mm) W x 11-1/8" (283 mm) D x 16" (406 mm) H	12" (305 mm) - FF 13-1/4" (337 mm) - FL	BC42	Maple	\$373.10
LD-4NW-882-35-1	Double Shelf with Pivot and Slide	35" (889 mm) W x 14-1/8" (359 mm) D x 16" (406 mm) H	15" (381 mm) - FF 16-1/4" (413 mm) - FL	BC45	Maple	\$428.35
LD-4NW-882-38-1	Double Shelf with Pivot and Slide	38" (965 mm) W x 17-1/8" (435 mm) D x 16" (406 mm) H	18" (457 mm) - FF 19-1/4" (489 mm) - FL	BC48	Maple	\$464.00

- Designed for 42", 45" and 48" blind corner cabinets
- Single and double solid bottom polymer shelves, almond or white
- Non-handed
- Pivot and slide hardware
- 90 degree hinge euro brackets and standard mounting brackets
- Chrome-plated shafts



6881-31-11-52
RAS Polymer Half Moon Lazy Susan
(31" White version shown)



6882-33-15-570
(2) Shelf RAS Polymer Half Moon Lazy Susan
(33" Almond version shown)

6882-33-11-570

**Available colors: 11 White, 15 Almond

(2) Shelf RAS Polymer Lazy Susan w/ Pivot

PRODUCT	DESCRIPTION	DIMS	MCO	CAB	FINISH	SLP
6842-31-**-570	(2) Shelf Set	33-11/16" (856 mm) W x 21-1/2" (546 mm) D x 15-7/8" (403 mm) H	13-1/4" (337 mm) - FF 15" (381 mm) - FL	BC42	Polymer	\$180.10
6842-33-**-570	(2) Shelf Set	34-5/16" (872 mm) W x 18-9/16" (472 mm) D x 15-7/8" (403 mm) H	16-1/8" (410 mm) - FF 17-7/16" (443 mm) - FL	BC45	Polymer	\$194.15
6842-39-**-570	(2) Shelf Set	40-11/16" (1033 mm) W x 21-13/16" (554 mm) D x 15-7/8" (403 mm) H	19-1/4" (489 mm) - FF 20-3/4" (527 mm) - FL	BC48	Polymer	\$214.15

RAS Polymer Lazy Susan w/ Pivot and Slide

6881-31-**-52	Single Shelf	33-11/16" (856 mm) W x 21-1/2" (546 mm) D x 5" (127 mm) H	13-1/4" (337 mm) - FF 15" (381 mm) - FL	BC42	Polymer	\$162.25
6881-33-**-52	Single Shelf	34-5/16" (872 mm) W x 18-9/16" (472 mm) D x 5" (127 mm) H	16-1/8" (410 mm) - FF 17-7/16" (443 mm) - FL	BC45	Polymer	\$165.00
6881-39-**-52	Single Shelf	40-11/16" (1033 mm) W x 21-13/16" (554 mm) D x 5" (127 mm) H	19-1/4" (489 mm) - FF 20-3/4" (527 mm) - FL	BC48	Polymer	\$186.05

(2) Shelf RAS Polymer Lazy Susan w/ Pivot and Slides

6882-31-**-570	(2) Shelf Set	33-11/16" (856 mm) W x 21-1/2" (546 mm) D x 15-7/8" (403 mm) H	13-1/4" (337 mm) - FF 15" (381 mm) - FL	BC42	Polymer	\$272.300
6882-33-**-570	(2) Shelf Set	34-5/16" (872 mm) W x 18-9/16" (472 mm) D x 15-7/8" (403 mm) H	16-1/8" (410 mm) - FF 17-7/16" (443 mm) - FL	BC45	Polymer	\$273.90
6882-39-**-570	(2) Shelf Set	40-11/16" (1033 mm) W x 21-13/16" (554 mm) D x 15-7/8" (403 mm) H	19-1/4" (489 mm) - FF 20-3/4" (527 mm) - FL	BC48	Polymer	\$298.25

Hardware

6882-1008-04-52	Half Moon Slide Kit (1 Pair)	10-1/2" (267 mm) Extension			Polymer	\$50.60
-----------------	------------------------------	----------------------------	--	--	---------	---------



- Designed for 18-1/2" min. blind corner cabinet opening
- Single chrome wire bottom shelf
- Ball-bearing slides
- Pivot and slide hardware
- Chrome-plated shafts



Chrome wire half moon Lazy Susan slide and pivot mechanism

Chrome Wire Lazy Susan

PRODUCT	DESCRIPTION	DIMS	MCO	CAB	FINISH	SLP
5881-33CR-1	Single Shelf Pivot and Slide	33-29/32" (861 mm) W x 18-1/2" (470 mm) L x 4-5/8" (188 mm) H	18-1/2" (469 mm)	BC48	Chrome	\$139.35





Our line of sink base accessories has grown so large that we dedicated an entire chapter to it. We are proud to offer innovative and versatile products, including our Tip-Out Trays, U-Shaped Pullout Shelves and Under Sink Caddies. These popular accessories feature the same superior quality adherent throughout the Rev-A-Shelf product line.

21/22.

SINK

- Designed for 36" sink base cabinets
- Single polyethylene container with handle - black, orion gray or white
- Mounts to cabinet door



5CCSO12-18-1

BAR WIDTH
13" (330 mm)



5CCSO12-13-1
Cleaning Caddy
(Black finish shown)



5CCSO12-11-1
Cleaning Caddy
(White finish shown)



Included mounting bar for installation on a 5-panel door



For video visit:
rev-a-shelf.com/videos

Wire Door Mount Cleaning Caddy

PRODUCT	DESCRIPTION	MCO	CAB	FINISH	SLP
5CCSO12-11-1	Cleaning Caddy 9-3/4" (248 mm) - 13" (330 mm) W x 9-3/4" (248 mm) D x 8-1/4" (210 mm) H	15" (305 mm)	SB36	White	\$18.75
5CCSO12-13-1	Cleaning Caddy 9-3/4" (248 mm) - 13" (330 mm) W x 9-3/4" (248 mm) D x 8-1/4" (210 mm) H	15" (305 mm)	SB36	Orion Gray	\$18.75
5CCSO12-18-1	Cleaning Caddy 9-3/4" (248 mm) - 13" (330 mm) W x 9-3/4" (248 mm) D x 8-1/4" (210 mm) H	15" (305 mm)	SB36	Black	\$18.75



- Designed for 30" sink base cabinets
- Single polyethylene container with handle - black, orion gray or white
- Full-extension, under mount, 75 lb. rated, concealed slides with soft-close
- Mounts to cabinet floor
- (2) 1 L spray bottles with removable storage rack
- Door mount kit available (sold separately)

Sink Solutions

5CC-915S-11-1



5CC-915S-13-1
Cleaning Caddy Pullout
(Black finish shown)



5CC-915S-11-1
Cleaning Caddy Pullout
(White finish shown)



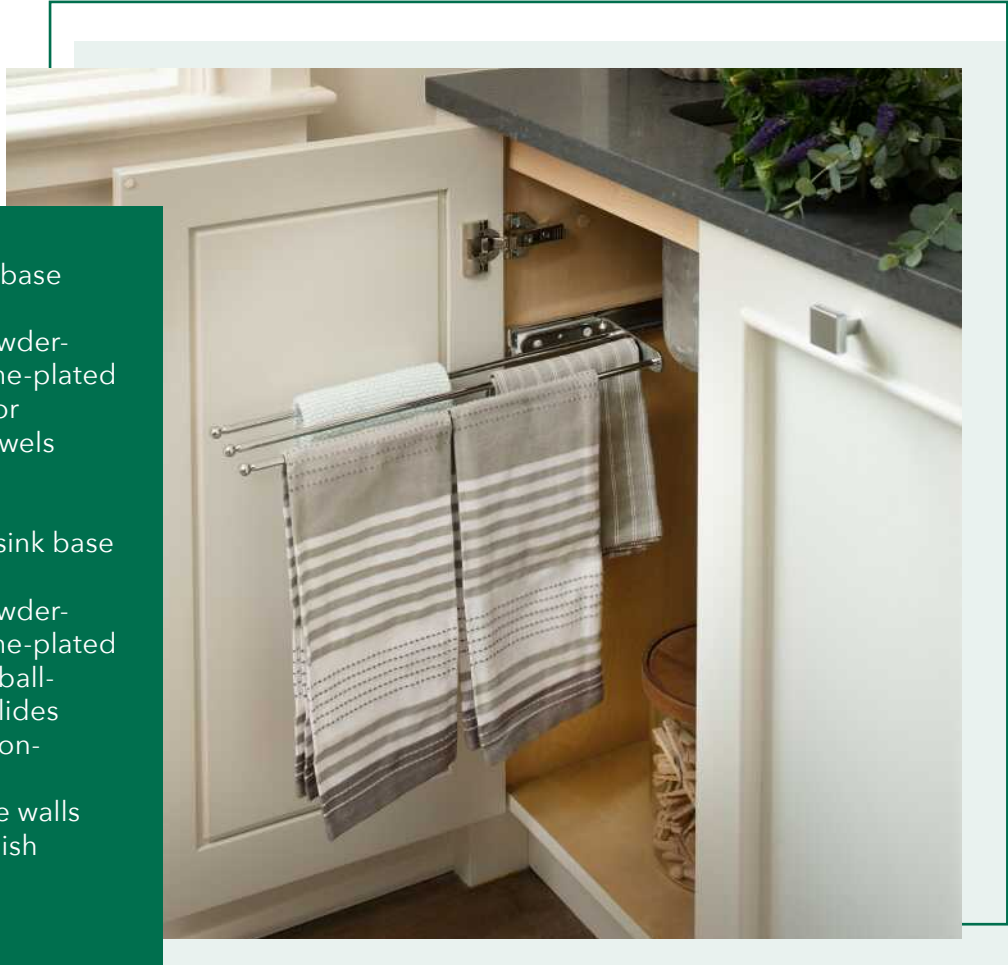
For video visit:
rev-a-shelf.com/videos

Sink Base 2-in-1 Polyethylene Cleaning Pullout w/ (2) Spray Bottles and Soft-Close

PRODUCT	DESCRIPTION	MCO	CAB	FINISH	SLP
5CC-915S-11-1	Cleaning Caddy Pullout 9-1/4" (235 mm) W x 18-19/32" (473 mm) D x 18-17/32" (471 mm) H	9-1/2" (241 mm)	SB30	White	\$151.95
5CC-915S-13-1	Cleaning Caddy Pullout 9-1/4" (235 mm) W x 18-19/32" (473 mm) D x 18-17/32" (471 mm) H	9-1/2" (241 mm)	SB30	Orion Gray	\$151.95
5CC-915S-18-1	Cleaning Caddy Pullout 9-1/4" (235 mm) W x 18-19/32" (473 mm) D x 18-17/32" (471 mm) H	9-1/2" (241 mm)	SB30	Black	\$151.95

Accessories

5WB-DMKIT	Door Mount Kit			Silver Epoxy	\$34.95
-----------	----------------	--	--	--------------	---------



563-47 C

Door Mount

- Designed for 30" sink base (butt door) cabinet
- Wire construction, powder-coated white or chrome-plated
- Mounts to cabinet door
- Holds up to (3) dish towels

Pullout

- Designed for base or sink base cabinets
- Wire construction, powder-coated white or chrome-plated
- 3/4- or full-extension, ball-bearing, 25 lb. rated slides
- Universal mounting, non-handed
- Mounts to cabinet side walls
- Holds up to (2) or (3) dish towels



563-32 C
Door Mount Towel Holder
(Chrome finish shown)



563-51 C
2 Prong Pullout Towel Holder
(Chrome finish shown)

Door Mount Towel Holder

PRODUCT	DESCRIPTION	DIMS	MCO	CAB	FINISH	SLP
563-32	Towel Holder	12-3/4" (324 mm) W x 3-1/2" (89 mm) D x 6-1/2" (165 mm) H	13" (330 mm) - FF 13" (330 mm) - FL	SB30	White	\$5.80
563-32 C	Towel Holder	12-3/4" (324 mm) W x 3-1/2" (89 mm) D x 6-1/2" (165 mm) H	13" (330 mm) - FF 13" (330 mm) - FL	SB30	Chrome	\$6.40

Pullout Towel Holder

563-51-C	2 Prong Towel Holder	3-7/8" (99 mm) W x 12-7/8" (327 mm) D x 1-1/2" (38 mm) H	5" (127 mm)		Chrome	\$22.90
563-47	3 Prong Towel Holder	5" (127 mm) W x 17-3/4" (451 mm) D x 1-1/4" (32 mm) H	6" (152 mm)		White	\$30.30
563-47 C	3 Prong Towel Holder	5" (127 mm) W x 17-3/4" (451 mm) D x 1-1/4" (32 mm) H	6" (152 mm)		Chrome	\$33.80



- Designed for installation in new 30", 36" and 42" sink base cabinet construction
- Can be cut down to fit a 27", 33" or 39" cabinet
- Protects the bottom of your cabinet from spills
- Funnels excessive water out of the front of your cabinet
- Orion gray, almond or metallic silver

Tray Capacity	
SBDT-2730	1-1/2 qt.
SBDT-3336	1-3/4 qt.
SBDT-3942	2-1/5 qt.



OG: Orion Gray, S: Metallic Silver, A: Almond

See page 277 for vanity version

Drip Tray

PRODUCT	DESCRIPTION	DIMS	MIN TRIM	CAB	FINISH	SLP
SBDT-2730-OG-1	Drip Tray	28-1/2" (724 mm) W x 23-1/4" (591 mm) D x 3/4" (19 mm) H	25-1/2" (648 mm) x 21-1/2" (546 mm)	SB27-30	Orion Gray	\$61.75
SBDT-2730-A-1	Drip Tray	28-1/2" (724 mm) W x 23-1/4" (591 mm) D x 3/4" (19 mm) H	25-1/2" (648 mm) x 21-1/2" (546 mm)	SB27-30	Almond	\$53.65
SBDT-2730-S-1	Drip Tray	28-1/2" (724 mm) W x 23-1/4" (591 mm) D x 3/4" (19 mm) H	25-1/2" (648 mm) x 21-1/2" (546 mm)	SB27-30	Metallic Silver	\$58.75
SBDT-3336-OG-1	Drip Tray	34-1/2" (876 mm) W x 23-1/4" (591 mm) D x 3/4" (19 mm) H	31-1/2" (800 mm) x 21-1/2" (546 mm)	SB33-36	Orion Gray	\$68.30
SBDT-3336-A-1	Drip Tray	34-1/2" (876 mm) W x 23-1/4" (591 mm) D x 3/4" (19 mm) H	31-1/2" (800 mm) x 21-1/2" (546 mm)	SB33-36	Almond	\$59.75
SBDT-3336-S-1	Drip Tray	34-1/2" (876 mm) W x 23-1/4" (591 mm) D x 3/4" (19 mm) H	31-1/2" (800 mm) x 21-1/2" (546 mm)	SB33-36	Metallic Silver	\$65.70
SBDT-3942-OG-1	Drip Tray	40-1/2" (1029 mm) W x 23-1/4" (591 mm) D x 3/4" (19 mm) H	37-1/2" (953 mm) x 21-1/2" (546 mm)	SB39-42	Orion Gray	\$71.90
SBDT-3942-A-1	Drip Tray	40-1/2" (1029 mm) W x 23-1/4" (591 mm) D x 3/4" (19 mm) H	37-1/2" (953 mm) x 21-1/2" (546 mm)	SB39-42	Almond	\$65.70
SBDT-3942-S-1	Drip Tray	40-1/2" (1029 mm) W x 23-1/4" (591 mm) D x 3/4" (19 mm) H	37-1/2" (953 mm) x 21-1/2" (546 mm)	SB39-42	Metallic Silver	\$72.20

(12) Drip Trays

SBDT-2730-A-12	Drip Tray	28-1/2" (724 mm) W x 23-1/4" (591 mm) D x 3/4" (19 mm) H	25-1/2" (648 mm) x 21-1/2" (546 mm)	SB27-30	Almond	\$45.80 ea.
SBDT-2730-S-12	Drip Tray	28-1/2" (724 mm) W x 23-1/4" (591 mm) D x 3/4" (19 mm) H	25-1/2" (648 mm) x 21-1/2" (546 mm)	SB27-30	Metallic Silver	\$50.45 ea.
SBDT-3336-A-12	Drip Tray	34-1/2" (876 mm) W x 23-1/4" (591 mm) D x 3/4" (19 mm) H	31-1/2" (800 mm) x 21-1/2" (546 mm)	SB33-36	Almond	\$50.90 ea.
SBDT-3336-S-12	Drip Tray	34-1/2" (876 mm) W x 23-1/4" (591 mm) D x 3/4" (19 mm) H	31-1/2" (800 mm) x 21-1/2" (546 mm)	SB33-36	Metallic Silver	\$55.95 ea.
SBDT-3942-A-12	Drip Tray	40-1/2" (1029 mm) W x 23-1/4" (591 mm) D x 3/4" (19 mm) H	37-1/2" (953 mm) x 21-1/2" (546 mm)	SB39-42	Almond	\$55.95 ea.
SBDT-3942-S-12	Drip Tray	40-1/2" (1029 mm) W x 23-1/4" (591 mm) D x 3/4" (19 mm) H	37-1/2" (953 mm) x 21-1/2" (546 mm)	SB39-42	Metallic Silver	\$61.50 ea.

- Designed for wood, glass, metal and particle board cabinets
- White polymer construction, additional colors available with bulk order
- Powerful magnetic locks to keep doors closed
- Unlocking key that disables lock only when you want



RAL-101-1



RAL-101-1
Rev-A-Lock Starter Set
(Polymer finish shown)



For video visit:
rev-a-shelf.com/videos

NOTE: The lock will install on thickness of 1/2" (13 mm) to 19/16" (40 mm) and operate through wood, glass, metal and particle board.

- Additional colors available via special order (min. 500). Contact your Sales Rep for more information

Rev-A-Lock® Cabinet Security

PRODUCT	DESCRIPTION	DIMS	FINISH	SLP
RAL-101-1	Starter Set (5 Locks & 2 Keys)	1-3/8" (35 mm) W x 2-1/4" (57 mm) D x 1-3/8" (35 mm) H	Polymer	\$59.15
RL-201-1	Lock Assembly	1-7/32" (25 mm) W x 1-5/8" (25 mm) D x 1-13/32" (25 mm) H	Polymer	\$9.90
RL-202-1	Magnetic Key	1-15/32" (37 mm) W x 1-15/32" (37 mm) D x 1-1/4" (32 mm) H	Polymer	\$13.65

Door Storage Tray Set

6230 Series

Sink Solutions



- (2) or (5) 8", 14" and 20" trays
- Glossy polymer construction, almond or white
- Mounts to cabinet door
- Trays can also be mounted to 26" or 58" aluminum standards (sold separately)
- Screw-in clips included, standards available (sold separately)

6232-14-11-52



Bracket extension kit, sold separately



6232-14W-52
Polymer Door Storage Tray
(14" version shown)

NOTE: **Insert 11 for White finish or 15 for Almond finish

Door Storage Tray Set w/ Screw-in Clips

PRODUCT	DESCRIPTION	MCO	CAB	FINISH	SLP	
6232-08-**-52	Trays w/ Screw-In Clips	7-7/8" (200 mm) W x 4-1/4" (110 mm) D x 3-9/16" (95 mm) H	9" (229 mm) - FF 9" (229 mm) - FL	B12	Polymer	\$24.05/set
6232-14-**-52	Trays w/ Screw-In Clips	13-3/4" (350 mm) W x 4-1/4" (110 mm) D x 3-9/16" (95 mm) H	14-1/2" (368 mm) - FF 14-1/2" (368 mm) - FL	B18	Polymer	\$25.95/set
6232-20-**-52	Trays w/ Screw-In Clips	19-3/4" (502 mm) W x 4-1/4" (110 mm) D x 3-9/16" (95 mm) H	20-1/2" (521 mm) - FF 20-1/2" (521 mm) - FL	B24	Polymer	\$32.65/set

(5) Tray Sets with Clips

6235-08-**-52	Trays w/ Screw-In Clips	7-7/8" (200 mm) W x 4-1/4" (110 mm) D x 3-9/16" (95 mm) H	9" (229 mm) - FF 9" (229 mm) - FL	B12	Polymer	\$56.85/set
6235-14-**-52	Trays w/ Screw-In Clips	13-3/4" (350 mm) W x 4-1/4" (110 mm) D x 3-9/16" (95 mm) H	14-1/2" (368 mm) - FF 14-1/2" (368 mm) - FL	B18	Polymer	\$61.65/set
6235-20-**-52	Trays w/ Screw-In Clips	19-3/4" (502 mm) W x 4-1/4" (110 mm) D x 3-9/16" (95 mm) H	20-1/2" (521 mm) - FF 20-1/2" (521 mm) - FL	B24	Polymer	\$74.55/set

6230-MB-11-1	Mounting Bracket Extension Kit				Polymer	\$12.85
--------------	--------------------------------	--	--	--	---------	---------

Accessories

6230-MB-11-1	Mounting Bracket Extension Kit				White	\$12.75
6232-26-4528-52	Pair Aluminum Standards w/ (4) Clips	26" (660 mm) L			Alum	\$52.90
6232-58-4528-52	Pair Aluminum Standards w/ (10) Clips	58" (1473 mm) L			Alum	\$81.05

- 22", 24" and 30-1/2" trays, almond or white
- Bulk trays available
- Mounts to sink front panels
- (1) pair of 45-degree LD pivot hinges



LD-6591-24-15-1

NOTE: Sink Front Trays can also be installed into Vanity Sink Base Cabinets! **Available colors: 11 White, 15 Almond

Deluxe Tip-Out Tray System (Std./Acc.)

PRODUCT	DESCRIPTION		FINISH	SLP
LD-6591-22-**-1	Deluxe Tip-Out Tray w/ 45° Hinges	22" (559 mm) W x 2-1/8" (54 mm) D x 3-13/16" (97 mm) H	Polymer	\$19.10/set
LD-6591-24-**-1	Deluxe Tip-Out Tray w/ 45° Hinges	24" (610 mm) W x 2-1/8" (54 mm) D x 3-13/16" (97 mm) H	Polymer	\$20.55/set
LD-6591-30-**-1	Deluxe Tip-Out Tray w/ 45° Hinges	30-7/16" (774 mm) W x 2-1/8" (54 mm) D x 3-13/16" (97 mm) H	Polymer	\$24.60/set

Bulk Deluxe Tip-Out Trays Only

LD-6591-22-**-10	(10) Deluxe Tip-Out Trays Only	22" (559 mm) W x 2-1/8" (54 mm) D x 3-13/16" (97 mm) H	Polymer	\$10.60 ea.
LD-6591-24-**-10	(10) Deluxe Tip-Out Trays Only	24" (610 mm) W x 2-1/8" (54 mm) D x 3-13/16" (97 mm) H	Polymer	\$10.75 ea.
LD-6591-30-**-10	(10) Deluxe Tip-Out Trays Only	30-7/16" (774 mm) W x 2-1/8" (54 mm) D x 3-13/16" (97 mm) H	Polymer	\$13.20 ea.

36" Sink Front Tip-Out Trays

65** Series



6551-36-11-52

- 36" or 72" trays, almond or white
- Trimmable to desired length
- Molded polymer end caps
- Key-shaped holes for easy removal and cleaning
- Can be used as a tip-out tray or a spice rack

Sink
Solutions

NOTE: **6552 Series End cap/Hinge sets are individually poly-bagged, bulk packed.

Sink Front Trays can also be installed into Vanity Sink Base Cabinets! **Available colors: 11 White, 15 Almond

36" Tray with Hinges and End Caps

PRODUCT	DESCRIPTION		FINISH	SLP
6551-36-**-52	1 Tray - 2 Pair Hinges & End Caps	36" (914 mm) W x 2-7/16" (62 mm) D x 3-15/16" (100 mm) H	Polymer	\$43.35
6551-36-**-50	1 Tray - 1 Pair Hinges & End Caps	36" (914 mm) W x 2-7/16" (62 mm) D x 3-15/16" (100 mm) H	Polymer	\$29.45
6551-36-**-ETH	1 Tray - 1 Pair Hinges & End Caps	36" (914 mm) W x 2-7/16" (62 mm) D x 3-15/16" (100 mm) H	Polymer	\$37.40

Bulk Components

6552-97-**-4	(40) Hinges, End Caps, Inst. & Adhesive		Polymer	\$13.90 pr.
6552-ETH-**-10	(10) Hinges, End Caps, Inst. & Adhesive		Polymer	\$16.95 pr.
6571-36-**-4	(20) Trays ONLY	36" (914 mm) W x 2-7/16" (62 mm) D x 3-15/16" (100 mm) H	Polymer	\$13.80 ea.
6571-72-**-4	(20) Trays ONLY	72" (1829 mm) W x 2-7/16" (62 mm) D x 3-15/16" (100 mm) H	Polymer	\$32.75 ea.

Components for Tip-Out or Spice Tray Applications

ST-97-**-4	(40) End Caps, Screws			\$7.85 pr.
6571-60-52	Tube of Adhesive	2 Gram		\$6.10
6571-61-52	Bottle of Adhesive	1 Ounce		\$31.45



6572-11-11-52
Standard and Accessory Tray
(White finish shown)



6572-11-11-52

- (1) or (20) 11" or 14" tray sets
- Glossy polymer construction, almond or white
- Each set: (1) standard tray, (1) accessory tray with ring holder and soap dish
- Mounts to sink front panels
- (2) pair of Self-Holdin® hinges
- Bulk (40) 11" or 14" standard or accessory trays ONLY available

NOTE: Sink Front Trays can also be installed into Vanity Sink Base Cabinets! **Available colors: 11 White, 15 Almond

Sink Front Tip-Out Tray System (Std./Acc.)

PRODUCT	DESCRIPTION		FINISH	SLP
6572-11-**-52	Std/Acc Trays with Hinges	11" (280 mm) W x 2-1/8" (54 mm) D x 3-13/16" (97 mm) H	Polymer	\$28.85
6572-14-**-52	Std/Acc Trays with Hinges	14" (356 mm) W x 2-1/8" (54 mm) D x 3-13/16" (97 mm) H	Polymer	\$29.00

(20) False Front Tip-Out Tray System (Std./Acc.)

6572-11-**-4	(20) Std/Acc Trays with Hinges	11" (280 mm) W x 2-1/8" (54 mm) D x 3-13/16" (97 mm) H	Polymer	\$26.55 ea.
6572-14-**-4	(20) Std/Acc Trays with Hinges	14" (356 mm) W x 2-1/8" (54 mm) D x 3-13/16" (97 mm) H	Polymer	\$26.70 ea.

(40) False Front Tip-Out Trays

6581-11-**-4	(40) Standard Trays	11" (280 mm) W x 2-1/8" (54 mm) D x 3-13/16" (97 mm) H	Polymer	\$6.30 ea.
6581-14-**-4	(40) Standard Trays	14" (356 mm) W x 2-1/8" (54 mm) D x 3-13/16" (97 mm) H	Polymer	\$6.30 ea.
6591-11-**-4	(40) Accessory Trays	11" (280 mm) W x 2-1/8" (54 mm) D x 3-13/16" (97 mm) H	Polymer	\$6.30 ea.
6591-14-**-4	(40) Accessory Trays	14" (356 mm) W x 2-1/8" (54 mm) D x 3-13/16" (97 mm) H	Polymer	\$6.30 ea.

Tip-Out Trays with Tab Stops

- Affordable alternative to the conventional tray systems
- Features high-resistant tabs to prevent breaking



6562-11-11-52
Tray with Tab Stops
(White finish shown)



6562-14-15-52
Tray with Tab Stops
(Almond finish shown)

**Available colors: 11 White, 15 Almond

Trays with Tab Stops

6562-11-**-52	11" Trays with Tab Stops	12-1/2" (318 mm) W x 2-1/8" (54 mm) D x 3-13/16" (97 mm) H	Polymer	\$17.85
6562-14-**-52	14" Trays with Tab Stops	15-1/2" (394 mm) W x 2-1/8" (54 mm) D x 3-13/16" (97 mm) H	Polymer	\$18.85

(40) Trays with Tab Stops

6561-11-**-4	11" Trays with Tab Stops	12-1/2" (318 mm) W x 2-1/8" (54 mm) D x 3-13/16" (97 mm) H	Polymer	\$5.95 ea.
6561-14-**-4	14" Trays with Tab Stops	15-1/2" (394 mm) W x 2-1/8" (54 mm) D x 3-13/16" (97 mm) H	Polymer	\$5.95 ea.



- 11" or 14" solid or extruded trays, almond or white
- Trim-to-fit
- Designed to accommodate minimum clearance openings
- Perfect for hiding sponges and scouring pads out of sight
- (2) pair of 45-degree LD pivot hinges

6541-36-11-4

Custom cut trays to length and glue end caps on with included glue



NOTE: **Insert 11 for White finish or 15 for Almond finish

Slim Series Tray w/ End Caps & Hinges				
PRODUCT	DESCRIPTION	DIMS	FINISH	SLP
6542-11-**-52	Tip-Out Tray w/ Hinges	11" (280 mm) W x 1-11/16" (42 mm) D x 3-15/16" (100 mm) H	Polymer	\$32.05
6542-14-**-52	Tip-Out Tray w/ Hinges	14" (360 mm) W x 1-11/16" (42 mm) D x 3-15/16" (100 mm) H	Polymer	\$32.20
(20) - Two-Tray Sets with (40 Pr.) of Hinges				
6542-11-**-4	Tip-Out Trays w/ Hinges	11" (280 mm) W x 1-11/16" (42 mm) D x 3-15/16" (100 mm) H	Polymer	\$30.90 ea.
6542-14-**-4	Tip-Out Trays w/ Hinges	14" (360 mm) W x 1-11/16" (42 mm) D x 3-15/16" (100 mm) H	Polymer	\$31.30 ea.
Kits and Components				
6541-36-**-52	Tray, End Caps, 2 pr. Hinges	36" (914 mm) W x 1-11/16" (42 mm) D x 3-15/16" (100 mm) H	Polymer	\$40.90
6541-36-**-50	Tray, End Caps, 1 pr. Hinges	36" (914 mm) W x 1-11/16" (42 mm) D x 3-15/16" (100 mm) H	Polymer	\$28.25
6541-36-**-ETH	Tray, End Caps, 1 pr. Hinges	36" (914 mm) W x 1-11/16" (42 mm) D x 3-15/16" (100 mm) H	Polymer	\$34.00
Bulk Components				
6541-36-**-4	(20) Trays only	36" (914 mm) W x 1-11/16" (42 mm) D x 3-15/16" (100 mm) H	Polymer	\$15.65 ea.
6542-97-**-4	(20) Hinges & End Caps Sets		Polymer	\$15.65 ea.
6542-ETH-**-10	(10) Hinges & End Caps Sets		Polymer	\$20.90 ea.



- 25", 28", 31" and 36" trays, almond, white or stainless steel
- Soft-close hinges
- Only 3/4" clearance on either side needed for use
- 50-degree opening
- Stiffening ribs provide extra stability and eliminate side play
- Easy installation
- US Patent No. 7,635,171

6581-31SC-52

NOTE: To order stainless steel trays with TABS 3-1/4" (83 mm) D order 6591-**-6 (Call for pricing).

Polymer Slim Series Sink Front Tip-Out Tray System w/ Soft-Close

PRODUCT	DESCRIPTION	FINISH	SLP
6541-36SC-11-50	36" Tray 36" (914 mm) W x 1-11/16" (42 mm) D x 3-15/16" (100 mm) H	White	\$37.85
6541-36SC-15-50	36" Tray 36" (914 mm) W x 1-11/16" (42 mm) D x 3-15/16" (100 mm) H	Almond	\$37.85

Polymer Tip-Out Trays w/ Soft-Close Hinges

6551-36SC-11-50	36" Tray 36" (914 mm) W x 2-7/16" (62 mm) D x 3-15/16" (100 mm) H	White	\$39.15
6551-36SC-15-50	36" Tray 36" (914 mm) W x 2-7/16" (62 mm) D x 3-15/16" (100 mm) H	Almond	\$39.15

Stainless Steel Tip-Out Trays w/ Soft-Close Hinges

6581-25SC-52	25" Stainless Steel Tray 25" (635 mm) W x 2-1/8" (54 mm) D x 3" (77 mm) H	Stainless Steel	\$52.50
6581-28SC-52	28" Stainless Steel Tray 28" (711 mm) W x 2-1/8" (54 mm) D x 3" (77 mm) H	Stainless Steel	\$54.50
6581-31SC-52	31" Stainless Steel Tray 31" (788 mm) W x 2-1/8" (54 mm) D x 3" (77 mm) H	Stainless Steel	\$57.15

Stainless Steel Tip-Out Tray Sets

65** Series



- 10" to 31" trays, stainless steel
- Designed to accommodate mini clearance openings for large sink applications
- Compatible with Rev-A-Shelf's patented Self-Holdin® hinges (sold separately) (US Patent No. 7,635,171)
- Custom logo or trade name stamping also available (80 tray minimum plus die cost)

Sink Solutions

NOTE: * Insert "8" for a 2-1/8" Deep Tray or a "4" for a Slim Series, 1-11/16". Ex 6541-10-4 or 6581-10-4
 - To order INDIVIDUAL packed trays with (1) pair of hinges, apply the same depth notation (4 or 8) and change the last sequence of numbers to -52.
 Ex. 6541-10-52 or 6581-10-52 (Call for pricing)
 - To order TRAYS WITH TABS replace * in part number for "9" Ex 6591-10-4 (Call for pricing) US PATENT NO: 7,635,171

(20) Stainless Steel Trays w/ (20 pr.) Hinges

PRODUCT	DESCRIPTION	DIMS	FINISH	SLP
65*1-10-4	10" Tip-Out Tray Sets	10" (254 mm) W x See Note for Depth x 3" (77 mm) H	Stainless Steel	\$26.95 ea.
65*1-11-4	11-1/4" Tip-Out Tray Sets	11-1/4" (286 mm) W x See Note for Depth x 3" (77 mm) H	Stainless Steel	\$27.55 ea.
65*1-13-4	13" Tip-Out Tray Sets	13" (330 mm) W x See Note for Depth x 3" (77 mm) H	Stainless Steel	\$27.70 ea.
65*1-14-4	14-1/4" Tip-Out Tray Sets	14-1/4" (362 mm) W x See Note for Depth x 3" (77 mm) H	Stainless Steel	\$28.25 ea.
65*1-16-4	16" Tip-Out Tray Sets	16" (407 mm) W x See Note for Depth x 3" (77 mm) H	Stainless Steel	\$28.55 ea.
65*1-19-4	19" Tip-Out Tray Sets	19" (483 mm) W x See Note for Depth x 3" (77 mm) H	Stainless Steel	\$29.60 ea.
65*1-22-4	22" Tip-Out Tray Sets	22" (559 mm) W x See Note for Depth x 3" (77 mm) H	Stainless Steel	\$31.05 ea.
65*1-25-4	25" Tip-Out Tray Sets	25" (635 mm) W x See Note for Depth x 3" (77 mm) H	Stainless Steel	\$32.65 ea.
65*1-28-4	28" Tip-Out Tray Sets	28" (711 mm) W x See Note for Depth x 3" (77 mm) H	Stainless Steel	\$33.50 ea.
65*1-31-4	31" Tip-Out Tray Sets	31" (788 mm) W x See Note for Depth x 3" (77 mm) H	Stainless Steel	\$34.50 ea.

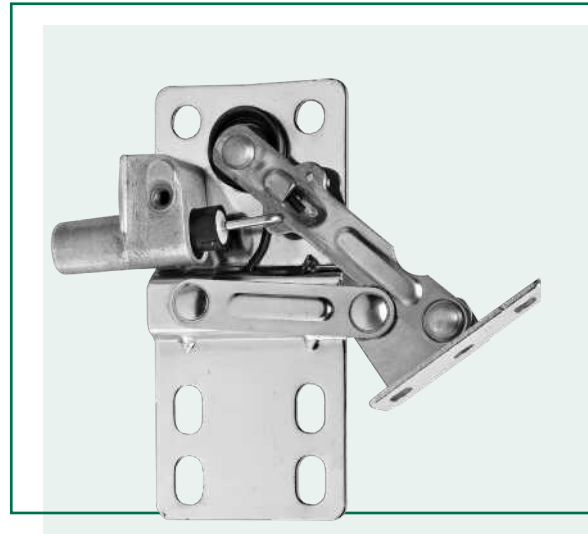
(20) Stainless Steel Trays Only

65*1-10-5	10" Tip-Out Tray	10" (254 mm) W x See Note for Depth x 3" (77 mm) H	Stainless Steel	\$17.40 ea.
65*1-11-5	11-1/4" Tip-Out Tray	11-1/4" (286 mm) W x See Note for Depth x 3" (77 mm) H	Stainless Steel	\$18.25 ea.
65*1-13-5	13" Tip-Out Tray	13" (330 mm) W x See Note for Depth x 3" (77 mm) H	Stainless Steel	\$18.00 ea.
65*1-14-5	14-1/4" Tip-Out Tray	14-1/4" (362 mm) W x See Note for Depth x 3" (77 mm) H	Stainless Steel	\$18.25 ea.
65*1-16-5	16" Tip-Out Tray	16" (407 mm) W x See Note for Depth x 3" (77 mm) H	Stainless Steel	\$18.40 ea.
65*1-19-5	19" Tip-Out Tray	19" (483 mm) W x See Note for Depth x 3" (77 mm) H	Stainless Steel	\$19.85 ea.
65*1-22-5	22" Tip-Out Tray	22" (559 mm) W x See Note for Depth x 3" (77 mm) H	Stainless Steel	\$20.55 ea.
65*1-25-5	25" Tip-Out Tray	25" (635 mm) W x See Note for Depth x 3" (77 mm) H	Stainless Steel	\$21.30 ea.
65*1-28-5	28" Tip-Out Tray	28" (711 mm) W x See Note for Depth x 3" (77 mm) H	Stainless Steel	\$24.35 ea.
65*1-31-5	31" Tip-Out Tray	31" (788 mm) W x See Note for Depth x 3" (77 mm) H	Stainless Steel	\$24.95 ea.

LD-0220 Series

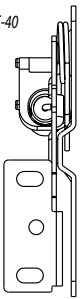
Soft-Close Pivot Hinge

- 50-degree opening
- Soft-close hinge
- Stiffening ribs provide extra stability and eliminate side play
- (US Patent No. 7,635,171)

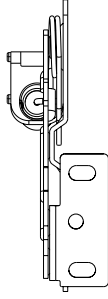


LD-0220-50SC-40

LD-0220-50SC-40



SOFT-CLOSE TIP-OUT HINGE



SOFT-CLOSE TIP-OUT HINGE
FOR FULL OVERLAY DOOR



(40 pr.) Pivot Hinge w/ Soft-Close

PRODUCT	DESCRIPTION	DIMS	FINISH	SLP
LD-0220-50SC-40	Tip-Out Hinge	1" (26 mm) W x 2-5/8" (67 mm) D x 3-7/8" (99 mm) H	Silver	\$17.70 pr.
LD-0220-50SCFO-40	Tip-Out Hinge for Full Overlay	1-1/4" (32 mm) W x 2-5/8" (67 mm) D x 3-7/8" (99 mm) H	Silver	\$17.70 pr.

LD-0220 Series

Pivot Hinge

- 45-degree opening
- Face frame or full access compatible
- Spring design closes firmly and stays closed
- Stiffening ribs provide extra stability



LD-0220-45-40

(40 pr.) Pivot Hinge

PRODUCT	DESCRIPTION	DIMS	FINISH	SLP
LD-0220-45-40	45-degree Pivot Hinge	1" (26 mm) W x 1-3/4" (45 mm) D x 3-7/8" (99 mm) H	Silver	\$7.55 pr.

Self-Holdin[®] Tip-Out Hinges

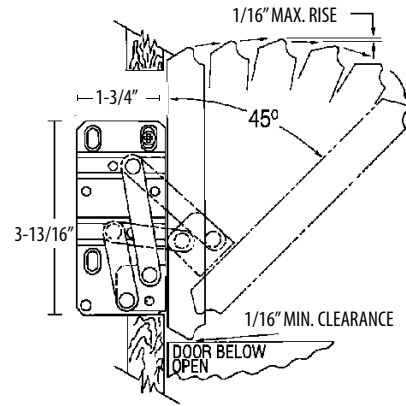
6552 Series



6552-94-0220-4

6552-95-0220-4

- Available in two different sizes
- Self-closing spring to keep false fronts securely closed



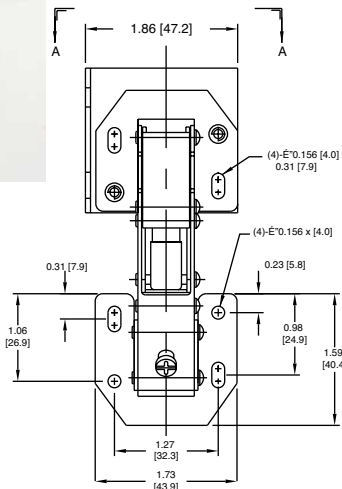
Sink Solutions

(40 pr.) Tip-Out (Self-Holdin[®]) Hinge

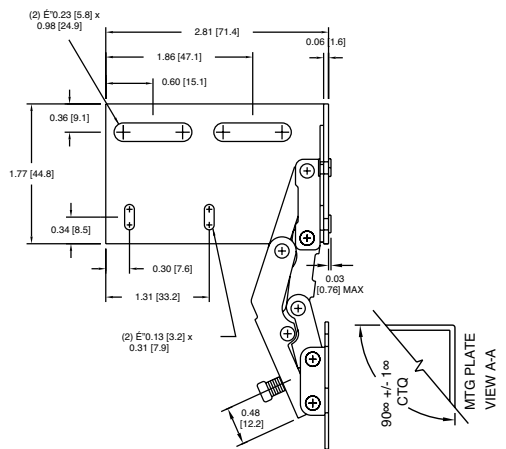
PRODUCT	DESCRIPTION	DIMS	FINISH	SLP
6552-94-0220-4	Hinges For Tip-Out Trays (under 16")	1" (26 mm) W x 1-3/4" (45 mm) D x 3-13/16" (97 mm) H	Silver	\$7.25 pr.
6552-95-0220-4	Hinges For Tip-Out Trays (16" and longer)	1" (26 mm) W x 1-3/4" (45 mm) D x 3-13/16" (97 mm) H	Silver	\$7.25 pr.

Euro Hinges

6552 Series



- Designed for long sink front false panels
- Adjustable opening of 45 to 90 degrees



(10 pr.) Euro Hinges

PRODUCT	DESCRIPTION	DIMS	FINISH	SLP
6552-ETH-10	Euro Hinges	See Illustration Above	Silver	\$10.75 pr.

- Designed for 30" sink base cabinets
- Chrome-plated wire L-shaped frame
- Mounts to cabinet side walls
- Universal mounting, non-handed hardware
- Fits around plumbing



548-10CR-1
Sink Base Organizer

Sink Base Organizer

PRODUCT	DESCRIPTION	DIMS	MCO	CAB	FINISH	SLP
548-10CR-1	Sink Base Organizer	9-3/4" (248 mm) W x 16" (407 mm) D x 18" (457 mm) H	10" (254 mm)	SB30	Chrome	\$115.40

Sink Base Door Storage

4SBSU Series



4SBSU-15

- Designed for 30", 36" and 42" sink base cabinet doors
- Natural maple construction with semi-gloss finish
- Patented adjustable door mount brackets that provide up to 5" adjustability (US Patent No. 7,204,569)
- TSCA Title VI compliant

Sink Base Door Storage

PRODUCT	DESCRIPTION	DIMS	MCO	CAB	FINISH	SLP
4SBSU-15	Door Storage	10-1/2" (267 mm) W x 5" (127 mm) D x 18-1/2" (470 mm) H	11-5/8" (295 mm) - FF 10-5/8" (270 mm) - FL	SB30	Maple	\$65.65
4SBSU-18	Door Storage	13-1/2" (343 mm) W x 5" (127 mm) D x 18-1/2" (470 mm) H	14-3/8" (365 mm) - FF 13-5/8" (346 mm) - FL	SB36	Maple	\$71.55
4SBSU-21	Door Storage	16-1/2" (419 mm) W x 5" (127 mm) D x 18-1/2" (470 mm) H	17-1/4" (438 mm) - FF 16-5/8" (422 mm) - FL	SB42	Maple	\$82.75

Grocery Bag Holder

4SPBD Series



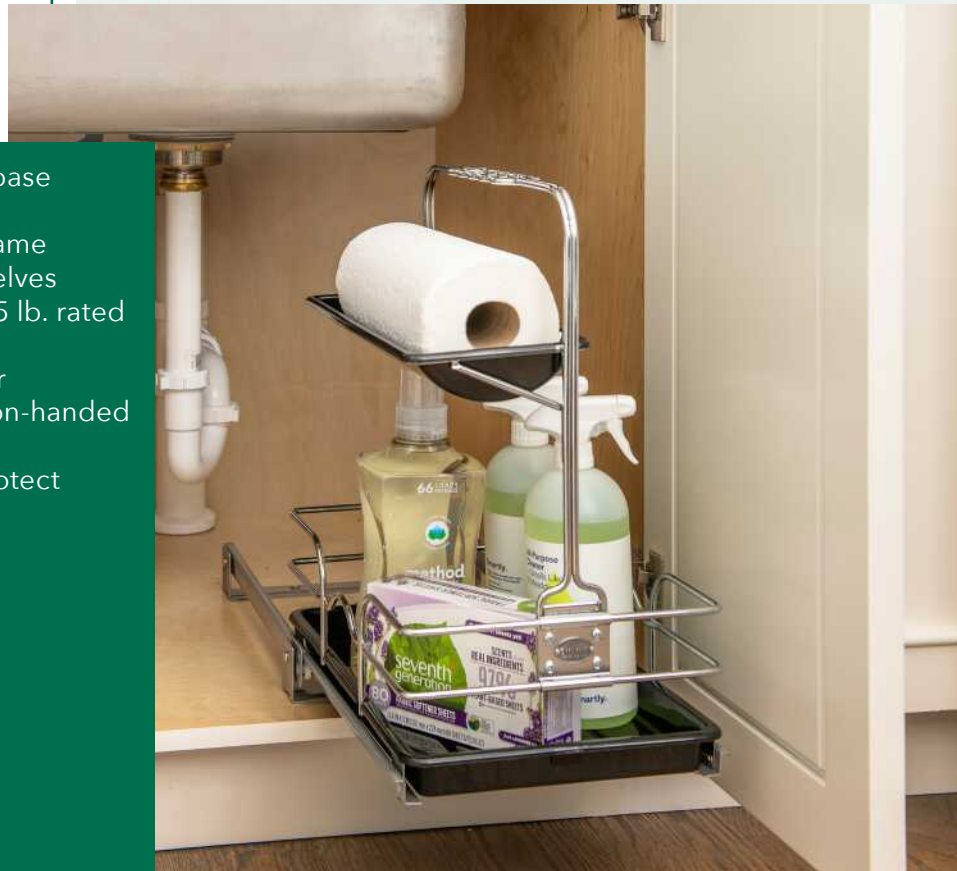
4SPBD-15

- Designed for 30" and 36" sink base cabinet doors
- Natural maple construction with semi-gloss finish
- Patented adjustable door mount brackets that provide up to 5" adjustability (US Patent No. 7,204,569)
- TSCA Title VI compliant

Sink Base Grocery Bag Door Storage

PRODUCT	DESCRIPTION	DIMS	MCO	CAB	FINISH	SLP
4SPBD-15	Grocery Bag Holder	10-1/2" (267 mm) W x 5" (127 mm) D x 18-5/8" (473 mm) H	11-5/8" (295 mm) - FF 10-5/8" (270 mm) - FL	SB30	Maple	\$79.30
4SPBD-18	Grocery Bag Holder	13-1/2" (343 mm) W x 5" (127 mm) D x 18-5/8" (473 mm) H	14-3/8" (365 mm) - FF 13-5/8" (346 mm) - FL	SB36	Maple	\$87.00

- Designed for 30" sink base cabinets
- Chrome-plated wire frame
- (2) polymer bottom shelves
- 3/4" extension, Euro, 75 lb. rated slides
- Mounts to cabinet floor
- Universal mounting, non-handed hardware
- Bottom bumpers to protect countertop surfaces
- Removable caddy for convenience



544-10C-1
Under Sink
Cleaning Caddy



Removable caddy allows you to take cleaning items with you and the added bottom bumpers provide stability and protect surfaces from marring

Under Sink Cleaning Caddy

PRODUCT	DESCRIPTION	DIMS	MCO	CAB	FINISH	SLP
544-10C-1	Under Sink Cleaning Caddy	11-1/4" (286 mm) W x 16-1/4" (413 mm) D x 19-1/2" (498 mm) H	11-1/4" (286 mm) - FF 11-3/8" (289 mm) - FL	SB30	Chrome	\$95.10

Sink Base Waste Pullout

5SBWC Series



- Designed for 24" and larger sink base cabinets
- (1) 8 L and (1) 15 L bin, both with handles
- Full-extension, under mount, 75 lb. rated, concealed slides with soft-close
- Mounts to cabinet floor
- (1) green lid and (1) white lid
- Door mounting kit (sold separately)



For video visit:
rev-a-shelf.com/videos

Sink Solutions

Wire Under Sink Waste Pullout

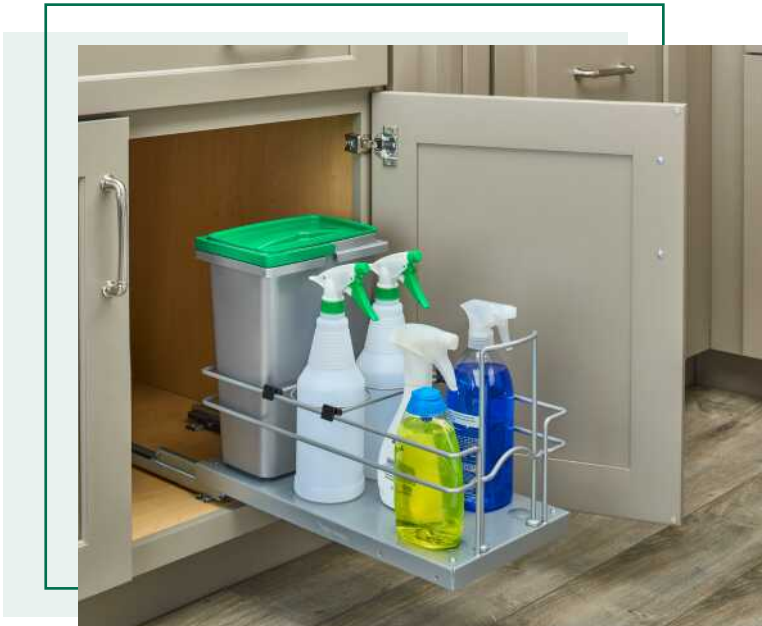
PRODUCT	DESCRIPTION	DIMS	MCO	CAB	FINISH	SLP
5SBWC-815S-1	(1) 8 L and (1) 15 L	8-15/16" (227 mm) W x 18-5/8" (473 mm) D x 14-1/4" (362 mm) H	9" (229 mm)	SB24	Silver	\$145.70

Accessories

5WB-DMKIT	Door Mount Kit				Silver Epoxy	\$34.95
-----------	----------------	--	--	--	--------------	---------

Waste & Cleaning Pullout

5SBWCC Series



- Designed for 24" and larger sink base cabinets
- (1) 8 L with removable rack and (2) 1 L spray bottles
- Full-extension, under mount, 75 lb. rated, concealed slides with soft-close
- Mounts to cabinet floor
- (1) green lid
- Door mounting kit (sold separately)



For video visit:
rev-a-shelf.com/videos

Wire Under Sink Waste & Cleaning Pullout

PRODUCT	DESCRIPTION	DIMS	MCO	CAB	FINISH	SLP
5SBWCC-8S-1	(1) 8 L and (2) 1 L Bottles	8-15/16" (227 mm) W x 18-5/8" (473 mm) D x 14-1/4" (362 mm) H	9" (229 mm)	SB24	Silver	\$129.20

Accessories

5WB-DMKIT	Door Mount Kit				Silver Epoxy	\$34.95
-----------	----------------	--	--	--	--------------	---------



- Designed for 33" and 36" sink base cabinets
- U-shaped solid bottom shelves, natural maple, gray or orion gray
- Full-extension, TANDEM, 110 lb. rated slides with BLUMOTION soft-close
- Mounts to cabinet floor or side walls
- Pre-assembled door mount brackets
- Side and bottom mount brackets
- Fits around plumbing
- TSCA Title VI compliant



5386-33BCSCFL-FOG



Designed in cooperation with



For video visit:
rev-a-shelf.com/videos

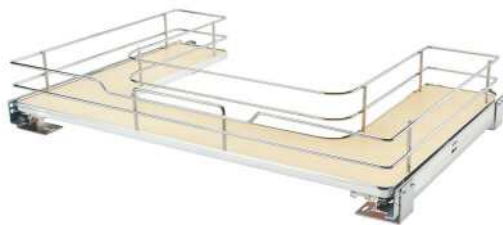


Full-extension slides with soft-close



Can be side mounted

PART	Basket Width "W"
5386-30BCSC-**	28-15/16" (735 mm)
5386-33BCSC-**	31-15/16" (811 mm)
5386-30BCSCFL-FOG	28-15/16" (735 mm)
5386-33BCSCFL-FOG	31-15/16" (811 mm)



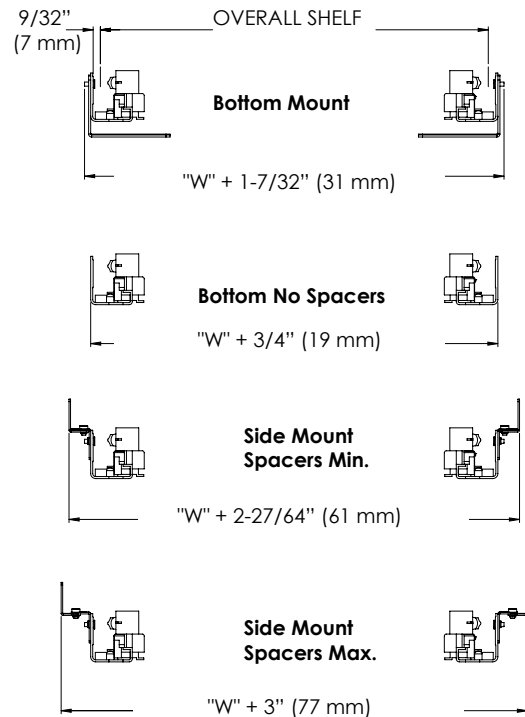
5386-30BCSC-MP
U-Shaped Solid Bottom Shelf
(Natural Maple finish shown)



5386-30BCSC-GR
U-Shaped Solid Bottom Shelf
(Gray finish shown)



5386-30BCSCFL-FOG
U-Shaped Solid Bottom Shelf
(Orion Gray finish shown)



NOTE: ** Insert "MP" for Maple Shelf or "GR" for Gray Shelf

U-Shaped Solid Bottom Shelf w/ BLUMOTION Soft-Close

PRODUCT	DESCRIPTION	DIMS	MCO	CAB	FINISH	SLP
5386-30BCSC-**	Solid Bottom Shelf	29-11/16" (754 mm) - 32" (813 mm) W x 21-17/32" (547 mm) D x 5-1/16" (129 mm) H	29-11/16" (754 mm)	SB33	Chrome	\$457.20
5386-33BCSC-**	Solid Bottom Shelf	32-11/16" (830 mm) - 35" (889 mm) W x 21-17/32" (547 mm) D x 5-1/16" (129 mm) H	32-11/16" (830 mm)	SB36	Chrome	\$469.10

Full Access U-Shaped Solid Bottom Shelf w/ BLUMOTION Soft-Close

5386-30BCSCFL-FOG	Solid Bottom Shelf	29-11/16" (754 mm) - 32" (813 mm) W x 21-17/32" (547 mm) D x 5-1/16" (129 mm) H	29-11/16" (754 mm)	FLSB33	Orion Gray	\$482.85
5386-33BCSCFL-FOG	Solid Bottom Shelf	32-11/16" (830 mm) - 35" (889 mm) W x 21-17/32" (547 mm) D x 5-1/16" (129 mm) H	32-11/16" (830 mm)	FLSB36	Orion Gray	\$491.25

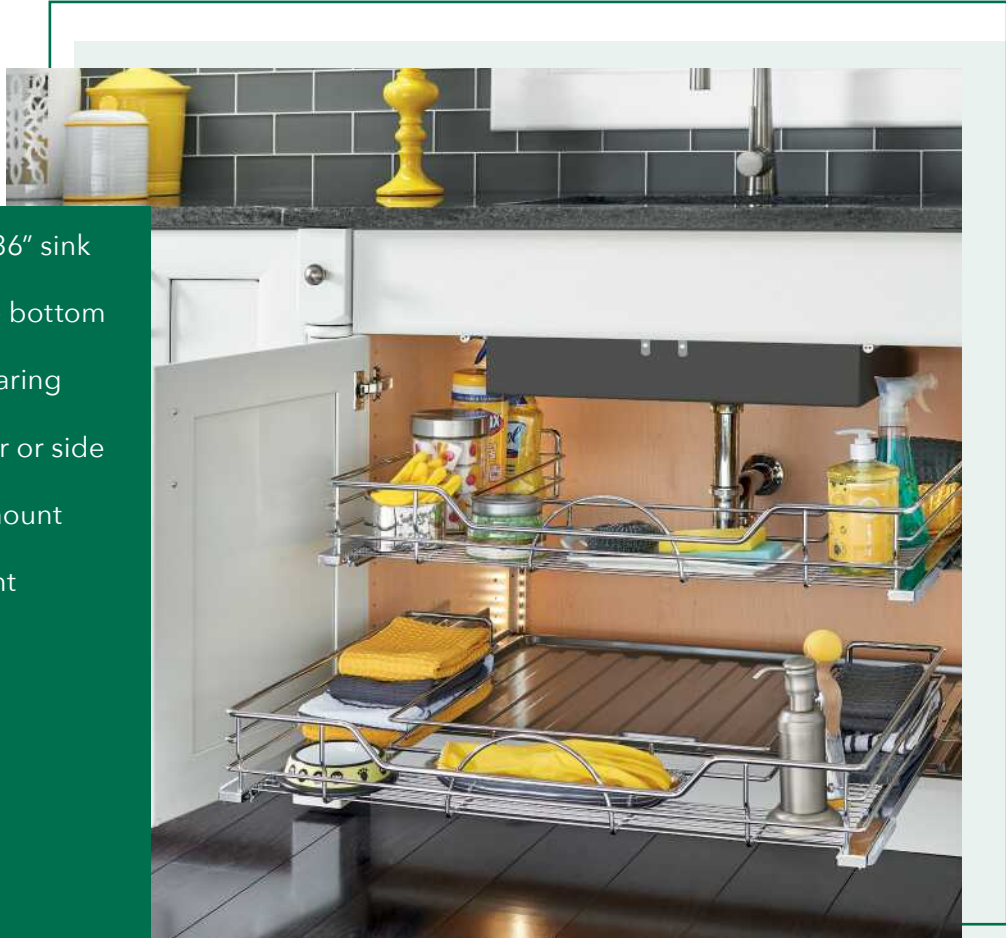
5786 Series

U-Shaped Wire Bottom Shelves



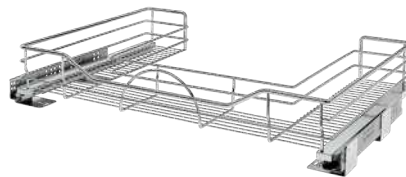
Sink Solutions

- Designed for 33" and 36" sink base cabinets
- U-shaped chrome wire bottom shelves
- Full-extension, ball-bearing slides with soft-close
- Mounts to cabinet floor or side walls
- Pre-assembled door mount brackets
- Side and bottom mount brackets
- Fits around plumbing



Two units shown

5786-33CR



5786-33CR
U-Shaped Wire Bottom Shelf



Door mountable with included door mount brackets

U-Shaped Wire Bottom Shelf w/ Ball-Bearing Soft-Close

PRODUCT	DESCRIPTION	DIMS	MCO	CAB	FINISH	SLP
5786-30CR	Wire Bottom Shelf	29-3/8" (746 mm) - 31-3/4" (807 mm) W x 21-3/4" (553 mm) D x 5-5/16" (135 mm) H	29-3/8" (746 mm) - FF 29-3/8" (746 mm) - FL	SB33	Chrome	\$272.15
5786-33CR	Wire Bottom Shelf	32-3/8" (822 mm) - 34-3/4" (883 mm) W x 21-3/4" (553 mm) D x 5-3/16" (132 mm) H	32-3/8" (822 mm) - FF 32-3/8" (822 mm) - FL	SB36	Chrome	\$275.80

Maple U-shaped Vanity Pullout

486 Series



- Designed for 30" vanity sink base cabinets, but works great in standard depth cabinets as well
- Natural maple construction with semi-gloss finish
- Full-extension, TANDEM, 90 lb. rated slides with BLUMOTION soft-close
- Mounts to cabinet floor or side walls
- Side and bottom mount brackets
- (4) adjustable dividers, (1) 8 L waste container w/ white lid (BM), (2) removable polycarbonate bins (SM)
- Non-skid vinyl lining
- TSCA Title VI compliant

Sink Solutions

486-30VSBC-BM-1



486-30VSBC-BM-1
Maple U-Shaped Pullout
w/ (4) Adjustable Dividers and
(1) 8 qt. Container
(Bottom mount unit shown)



486-30VSBC-SM-1
Maple U-Shaped Pullout
w/ (4) Adjustable Dividers and
(2) Acrylic Bins
(Side mount unit shown)



For video visit:
rev-a-shelf.com/videos

U-Shaped Vanity Pullout w/ BLUMOTION Soft-Close

PRODUCT	DESCRIPTION	DIMS	MCO	CAB	FINISH	SLP
486-30VSBC-BM-1	Bottom Mount Pullout	25-11/16" (652 mm) W x 18-11/16" (474 mm) D x 14-1/4" (362 mm) H	25" (635 mm) - FF 25" (635 mm) - FL	VS30	Maple	\$297.55
486-30VSBC-SM-1	Side Mount Pullout	27-9/16" (700 mm) - 28-3/4" (730 mm) W x 19" (483 mm) D x 6-1/2" (165 mm) H	25" (635 mm) - FF 25" (635 mm) - FL	VS30	Maple	\$278.25

441 Series

Maple L-Shaped Vanity Organizer



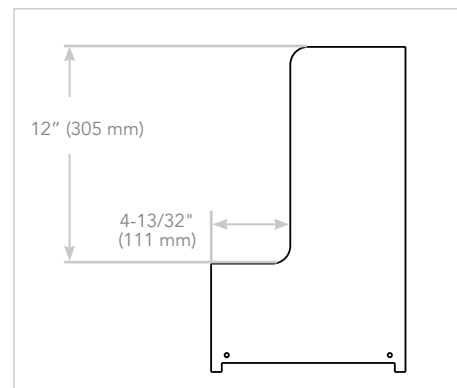
- Designed for 24" and 30" vanity sink base cabinets
- L-shaped natural maple dovetail frame with semi-gloss finish
- (4) shelves with non-skid vinyl lining on lower level
- Full-extension, TANDEM, 90 lb. rated slides with BLUMOTION soft-close
- (6) polycarbonate bins for upper level
- Mounts to cabinet floor
- Patented design (US Patent No. D854,359)
- Patented mounting straps (US Patent No. 9,756,941)
- TSCA Title VI compliant



441-15VSBSC-1



441-12VSBSC-1
Vanity Organizer



PIPE CLEARANCE DIMENSIONS
(For both units)



For video visit:
rev-a-shelf.com/videos

L-Shaped Vanity Organizers w/ BLUMOTION Soft-Close

PRODUCT	DESCRIPTION	DIMS	MCO	CAB	FINISH	SLP
441-12VSBSC-1	Vanity Organizer	8-1/2" (216 mm) W x 18-25/32" (477 mm) D x 18-7/8" (479 mm) H	9" (229 mm)	VS24	Maple	\$308.15
441-15VSBSC-1	Vanity Organizer	11-7/16" (296 mm) W x 18-25/32" (477 mm) D x 18-7/8" (479 mm) H	12" (305 mm)	VS30	Maple	\$370.90

21/22.

Most of our organizational solutions are designed for base cabinet applications, so you always have a versatile list of innovative products to choose from. From face frame to full access, rest assured we have the perfect product sized for your type of cabinet. These popular base cabinet accessories are designed with the same superior quality you have come to expect from Rev-A-Shelf.

BASE

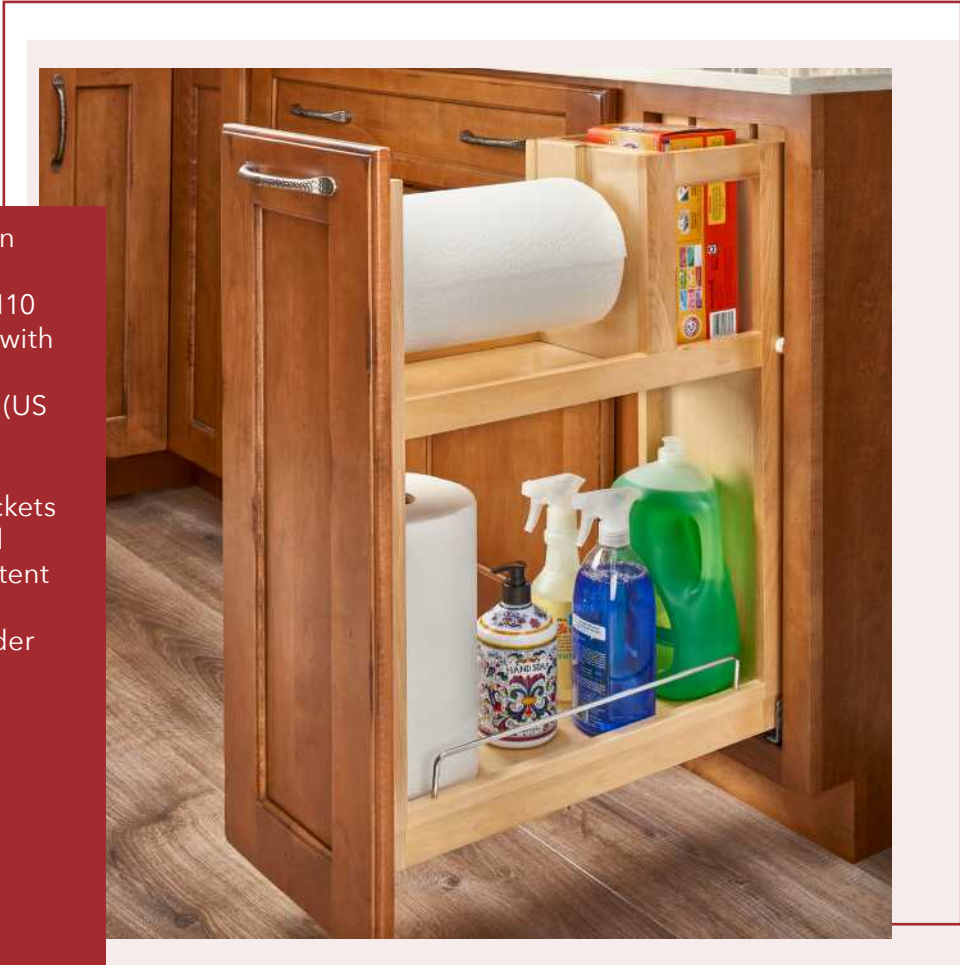


PROP 65 WARNING FOR CALIFORNIA RESIDENTS
WARNING: These products can expose you to chemicals such as formaldehyde, lead or styrene, which are known to the State of California to cause cancer and birth defects or other reproductive harm. For more information go to www.P65Warnings.ca.gov



AVAILABLE SPRING 2021!

- Natural maple construction with semi-gloss finish
- Full-extension, TANDEM, 110 lb. rated concealed slides with BLUMOTION soft-close
- Patented mounting straps (US Patent No. 9,756,941)
- Adjustable rub bushings
- Patented door mount brackets with 5" of adjustability and micro-trim adjuster (US Patent No. 8,388,076)
- Refillable paper towel holder
- SERVO-DRIVE technology available (sold separately)
- TSCA Title VI Compliant



448TPH-BCSC-8C



448PTH-BCSC-6C
Paper Towel Pullout
(6" version shown)

Paper Towel Pullout

PRODUCT	DESCRIPTION	DIMS	MCO	CAB	FINISH	SLP
448PTH-BCSC-6C	Paper Towel Pullout	6-7/8" (175 mm) W x 21-3/4" (551 mm) D x 26-29/32" (684 mm) H	FF: 6-5/8" (168 mm) FL: 7-1/8" (181 mm)	FHB12	Maple	\$359.15
448PTH-BCSC-8C	Paper Towel Pullout	8-3/4" (222 mm) W x 21-3/4" (551 mm) D x 26-29/32" (684 mm) H	FF: 8-1/2" (216 mm) FL: 9" (229 mm)	FHB12	Maple	\$426.90

Two-Tier Cookware Organizer

4CW2 Series



- Designed for 18" and 24" base cabinets
- Natural maple dovetail construction with semi-gloss finish
- Full-extension with 3/4" over-travel, undermount, 110 lb. rated slides with BLUM MOVENTO soft-close
- Up to 220 pre-drilled peg holes
- (4) matching, press-in pegs
- Top shelf holds lids w/ (1 w/18") or (2 w/24") lid organizers
- Mounts to cabinet floor
- TSCA Title VI compliant

Base Solutions

4CW2-24SC-1



4CW2-18SC-1
Maple Cookware Organizer



Customizable



For video visit:
rev-a-shelf.com/videos

Wood Two-Tier Base Organizer Pullout

PRODUCT	DESCRIPTION	DIMS	MCO	CAB	FINISH	SLP
4CW2-18SC-1	Cookware Organizer	14-1/2" (368 mm) W x 22-1/4" (565 mm) D x 18-7/8" (479 mm) H	14-1/2" (368 mm)	B18	Maple	\$472.55
4CW2-24SC-1	Cookware Organizer	20-1/2" (521 mm) W x 22-1/4" (565 mm) D x 18-7/8" (479 mm) H	20-1/2" (521 mm)	B24	Maple	\$583.65



GLD-W22-BC-7

- Designed for 14" to 22" cabinet depths
- Solid wood construction, natural maple or gray
- Mounts to cabinet top and rear
- (3) slide configurations:
 - Full-extension, ball-bearing, 100 lb. rated slides
 - Full-extension, 66 lb. rated, concealed slides with BLUMOTION soft-close
 - Stainless steel full-extension, ball-bearing, 100 lb. rated slides
- Up to (7) hooks
- US Patent No. 9,433,283 and 9,022,237
- TSCA Title VI compliant



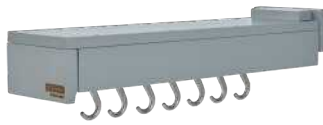
For video visit:
rev-a-shelf.com/videos

NOTE: Dimensions are without the optional rear mounting bracket. Rear mounting bracket is 6-1/4" (159 mm) wide and adds 3/4" (19 mm) to the depth, and 13/16" (20 mm) to the height.

MCO dimensions and CAB recommendations are dependent on what accessories you intend on hanging on product. Typical cookware will fit in B18.



GLD-W14-SC-5
 Glideware Pullout
 w/ ball-bearing slide
 and (5) Hooks
 (14" version shown)



GLD-W22-BG-7
 Glideware Pullout
 w/ BLUMOTION Soft-Close
 and (7) Hooks
 (22" version shown)



Outdoor application



Closet application



GLD-P22-SSW-5
 Polymer Glideware Pullout
 w/ ball-bearing slide and (5) Hooks
 (22" version shown)



Glideware Hooks
 Nickel, Black, Brass, Copper, Zinc



Use our B2B hooks for added storage anywhere you need

Parse
Solutions

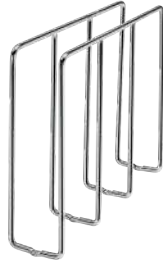
** - Insert BL for black, BR for brass, BZ for bronze, CP for copper and NC for nickel

Glideware Pullout w/ (5 or 7) Short Hooks					
PRODUCT	DESCRIPTION	DIMS	CAB	FINISH	SLP
GLD-W14-SC-5	14" Glideware	4" (102 mm) W x 14" (356 mm) D x 4-1/8" (105 mm) H	FHB18	Maple	\$89.90
GLD-W22-SC-7	22" Glideware	4" (102 mm) W x 22" (559 mm) D x 4-1/8" (105 mm) H	FHB18	Maple	\$111.65
Glideware Pullout w/ BLUMOTION Soft-Close and (5 or 7) Long Hooks					
GLD-W14-BC-5	14" Glideware	6" (153 mm) W x 14" (356 mm) D x 5-1/16" (129 mm) H	FHB18	Maple	\$216.20
GLD-W16-BC-5	16" Glideware	6" (153 mm) W x 16" (406 mm) D x 5-1/16" (129 mm) H	FHB18	Maple	\$222.00
GLD-W22-BC-7	22" Glideware	6" (153 mm) W x 22" (559 mm) D x 5-1/16" (129 mm) H	FHB18	Maple	\$245.80
GLD-W22-BG-7	22" Glideware	6" (153 mm) W x 22" (559 mm) D x 5-1/16" (129 mm) H	FHB18	Gray	\$248.25
Outdoor Polymer Glideware Pullout w/ Stainless Steel Slides and (5) Short Hooks					
GLD-P22-SSW-5	22" Glideware	4-1/4" (108 mm) W x 22-3/4" (578 mm) D x 5-1/8" (130 mm) H	FHB18	White	\$325.10
Glideware Accessories					
GLD-HK-S-ZC-7	(7) Glideware Short Hooks	1" (25 mm) W x 1-1/2" (38 mm) x 3-1/8" (80 mm) H		Zinc	\$5.10 ea.
GLD-HK-S-**-7	(7) Glideware Short Hooks	1" (25 mm) W x 1-1/2" (38 mm) x 3-1/8" (80 mm) H			\$11.90 ea.
GLD-HK-L-ZC-7	(7) Glideware Long Hooks	1" (25 mm) W x 1-1/2" (38 mm) x 4" (102 mm) H		Zinc	\$5.20 ea.
GLD-HK-L-**-7	(7) Glideware Long Hooks	1" (25 mm) W x 1-1/2" (38 mm) x 4" (102 mm) H			\$14.80 ea.
GLD-HK-2-ZC-5	(5) Glideware Back-to-Back Hooks	1" (25 mm) W x 2-43/64" (68 mm) x 3-1/8" (80 mm) H		Zinc	\$15.80 ea.
GLD-HK-2-**-5	(5) Glideware Back-to-Back Hooks	1" (25 mm) W x 2-43/64" (68 mm) x 3-1/8" (80 mm) H			\$16.40 ea.

596 Series

U-Shaped Tray Organizer

- Available in 10" height
- Chrome-plated round wire
- Mounts to cabinet floor
- Easy 4-screw installation
- Use multiple to create custom storage space



596-10CR-52
U-Shaped Tray Organizer



Simple bottom mount installation.

Base Solutions

Chrome Wire U-Shaped Tray Organizer

PRODUCT	DESCRIPTION	DIMS	FINISH	SLP
596-10CR-52	U-Shaped Tray Divider	3" (76 mm) W x 11-7/8" (302 mm) D x 10" (254 mm) H	Chrome	\$22.45

LD-597 Series

Chrome Tray Divider

- Available in 12" and 18" height
- Chrome-plated round wire
- Mount to cabinet floor and rear wall
- Use multiple to create custom storage space



LD-597-18CR-1

Chrome Wire Tray Divider

PRODUCT	DESCRIPTION	DIMS	FINISH	SLP
LD-597-12CR-1	12" Chrome Tray Divider	1/4" (6 mm) W x 20" (508 mm) D x 12" (305 mm) H	Chrome	\$14.95
LD-597-18CR-1	18" Chrome Tray Divider	1/4" (6 mm) W x 20" (508 mm) D x 18" (458 mm) H	Chrome	\$15.00

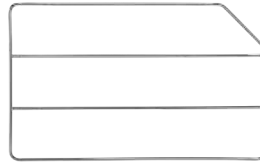
(10) Chrome Wire Tray Dividers

LD-597-12CR-10	(10) 12" Chrome Tray Dividers	1/4" (6 mm) W x 20" (508 mm) D x 12" (305 mm) H	Chrome	\$12.05 ea.
LD-597-18CR-10	(10) 18" Chrome Tray Dividers	1/4" (6 mm) W x 20" (508 mm) D x 18" (458 mm) H	Chrome	\$13.05 ea.



- Available in 12" and 18" height
- Chrome-plated or powder-coated white round wire
- Mount to cabinet floor and rear wall
- Includes (4) screw-in clips and fasteners each
- Use multiple to create custom storage space

597-18-52



597-12CR-52
Tray Divider
(Chrome finish shown)

White Wire Tray Divider

PRODUCT	DESCRIPTION	DIMS	FINISH	SLP
597-12-52	Tray Divider with Clips	3/4" (19 mm) W x 20" (508 mm) D x 12" (305 mm) H	White Wire	\$10.75
597-18-52	Tray Divider with Clips	3/4" (19 mm) W x 20" (508 mm) D x 18" (457 mm) H	White Wire	\$12.30

(10) White Wire Tray Dividers

597-12-10	(10) 12" Tray Dividers with Clips	3/4" (19 mm) W x 20" (508 mm) D x 12" (305 mm) H	White Wire	\$8.25 ea.
597-18-10	(10) 18" Tray Dividers with Clips	3/4" (19 mm) W x 20" (508 mm) D x 18" (457 mm) H	White Wire	\$9.30 ea.

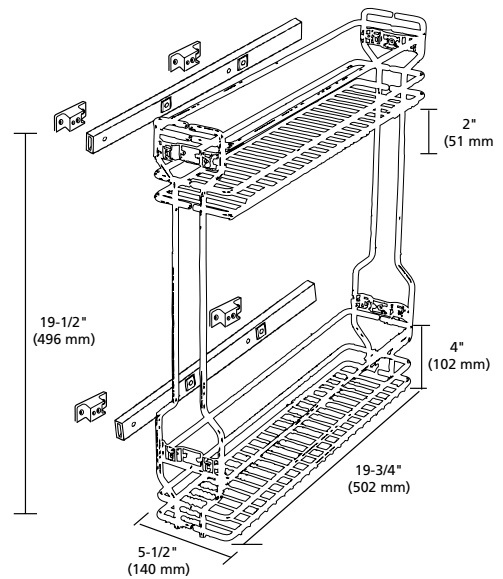
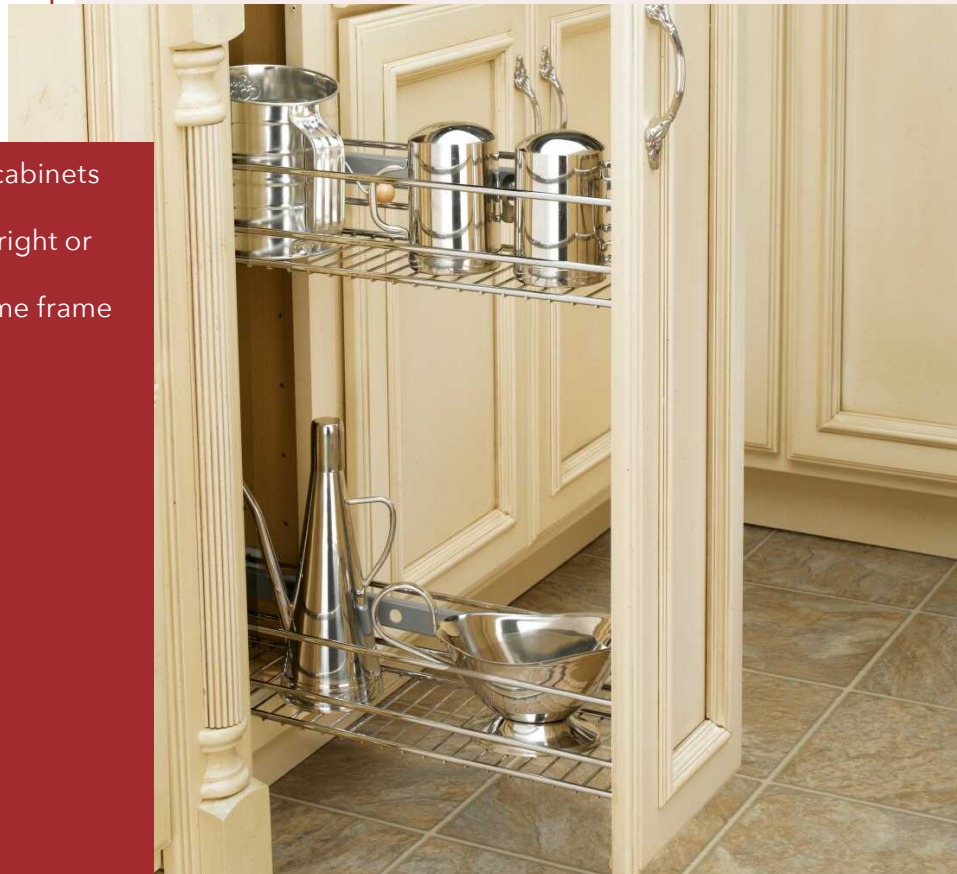
Chrome Wire Tray Divider

597-12CR-52	Tray Divider with Clips	3/4" (19 mm) W x 20" (508 mm) D x 12" (305 mm) H	Chrome Wire	\$14.80
597-18CR-52	Tray Divider with Clips	3/4" (19 mm) W x 20" (508 mm) D x 18" (457 mm) H	Chrome Wire	\$15.65

(10) Chrome Wire Tray Dividers

597-12CR-10	(10) 12" Tray Dividers with Clips	3/4" (19 mm) W x 20" (508 mm) D x 12" (305 mm) H	Chrome Wire	\$11.90 ea.
597-18CR-10	(10) 18" Tray Dividers with Clips	3/4" (19 mm) W x 20" (508 mm) D x 18" (457 mm) H	Chrome Wire	\$12.90 ea.

- Designed for 9" base cabinets
- Ball-bearing slides
- Universal brackets for right or left hand mounting
- Door mountable chrome frame



Chrome Two-Tier Base Organizer Pullout

PRODUCT	DESCRIPTION	DIMS	MCO	CAB	FINISH	SLP
548-06CR-1	Base Organizer	5-1/2" (140 mm) W x 19-3/4" (502 mm) D x 19-1/2" (495 mm) H	6" (152 mm)	B9	Chrome	\$99.45

Pullout Utility Basket

HURV Series



- Designed for 18" base cabinets
- Polymer basket, clear
- White round wire frame
- Full-extension slides
- Easy 4-screw installation

HURV-1512 S

Paste
Solutions

Polymer Utility Basket

PRODUCT	DESCRIPTION	DIMS	MCO	CAB	FINISH	SLP
HURV-1512 S	Utility Basket	14-3/8" (366 mm) W x 18-1/8" (461 mm) D x 11-7/8" (302 mm) H	15" (381 mm)	B18	Frosted	\$156.00
HUB-470X8	Replacement Utility Basket				Frosted	\$51.60
RV DM KIT	Heavy Duty Door Mount Kit				White	\$33.95



AVAILABLE SUMMER 2021!



5WB2-1822-CR

5WB1

- Designed for 12", 15", 18", 21", 24" and 27 " base cabinets
- Chrome-plated round wire frame ideal for organizing bulky items
- Full-extension, ball-bearing slides available in 18", 20" and 22" depths
- Easy 4-screw installation
- Door mount brackets available (sold separately)

5WB2

- Designed for 12", 15", 18", 21", 24" and 27 " base cabinets
- Chrome-plated round wire
- Full-extension, ball-bearing slides
- 7-screw installation
- (3) adjustable heights
- Mounts to cabinet floor, side and rear wall
- Telescoping rear mounting bracket
- U-shaped support bracket
- Door mount brackets available (sold separately)



Door mount kit sold separately



L - Bracket is rear support



Top-down view of U-shaped support brackets



5WB1-2422CR-1
Single Chrome Wire Pullout
(Shelf for base 24" shown)



5WB2-2122CR-1
Two-Tier Chrome Wire Pullout
(Shelves for base 21" shown)

Chrome Wire Pullout Shelf

PRODUCT	DESCRIPTION	DIMS	MCOFF	CAB	FINISH	SLP
5WB1-0918CR-1	Pullout Shelf	8-1/2" (216 mm) W x 18" (457 mm) D x 5-9/16" (141 mm) H	8-1/2" (216 mm)	B12	Chrome	\$59.75
5WB1-1218CR-1	Pullout Shelf	11-1/2" (292 mm) W x 18" (457 mm) D x 5-9/16" (141 mm) H	11-1/2" (292 mm)	B15	Chrome	\$65.10
5WB1-1220CR-1	Pullout Shelf	11-1/2" (292 mm) W x 19-3/4" (502 mm) D x 5-9/16" (141 mm) H	11-1/2" (292 mm)	B15	Chrome	\$73.20
5WB1-1520CR-1	Pullout Shelf	14-1/2" (368 mm) W x 19-3/4" (502 mm) D x 5-9/16" (141 mm) H	14-1/2" (368 mm)	B18	Chrome	\$82.20
5WB1-1820CR-1	Pullout Shelf	17-1/2" (445 mm) W x 19-3/4" (502 mm) D x 5-9/16" (141 mm) H	17-1/2" (445 mm)	B21	Chrome	\$99.35
5WB1-2120CR-1	Pullout Shelf	20-1/2" (521 mm) W x 19-3/4" (502 mm) D x 5-9/16" (141 mm) H	20-1/2" (521 mm)	B24	Chrome	\$107.90
5WB1-1222CR-1	Pullout Shelf	11-1/2" (292 mm) W x 22" (559 mm) D x 5-9/16" (141 mm) H	11-1/2" (292 mm)	B15	Chrome	\$79.75
5WB1-1522CR-1	Pullout Shelf	14-1/2" (368 mm) W x 22" (559 mm) D x 5-9/16" (141 mm) H	14-1/2" (368 mm)	B18	Chrome	\$88.75
5WB1-1822CR-1	Pullout Shelf	17-1/2" (445 mm) W x 22" (559 mm) D x 5-9/16" (141 mm) H	17-1/2" (445 mm)	B21	Chrome	\$95.85
5WB1-2122CR-1	Pullout Shelf	20-1/2" (521 mm) W x 22" (559 mm) D x 5-9/16" (141 mm) H	20-1/2" (521 mm)	B24	Chrome	\$104.85
5WB1-2422CR-1	Pullout Shelf	23-1/2" (597 mm) W x 22" (559 mm) D x 5-9/16" (141 mm) H	23-1/2" (597 mm)	B27	Chrome	\$126.90

Two-Tier Chrome Wire Pullout Shelves

5WB2-0918CR-1	Pullout Shelves	8-3/4" (222 mm) W x 18-1/2" (470 mm) D x 19" (483 mm) H	8-1/2" (216 mm)	B12	Chrome	\$134.85
5WB2-1218CR-1	Pullout Shelves	11-3/4" (298 mm) W x 18-1/2" (470 mm) D x 19" (483 mm) H	11-1/2" (292 mm)	B15	Chrome	\$148.75
5WB2-0922CR-1	Pullout Shelves	8-3/4" (222 mm) W x 22-1/4" (565 mm) D x 19" (483 mm) H	8-1/2" (216 mm)	B12	Chrome	\$156.75
5WB2-1222CR-1	Pullout Shelves	11-3/4" (298 mm) W x 22-1/4" (565 mm) D x 19" (483 mm) H	11-1/2" (292 mm)	B15	Chrome	\$170.25
5WB2-1522CR-1	Pullout Shelves	14-3/4" (375 mm) W x 22-1/4" (565 mm) D x 19" (483 mm) H	14-1/2" (368 mm)	B18	Chrome	\$162.05
5WB2-1822CR-1	Pullout Shelves	17-3/4" (451 mm) W x 22-1/4" (565 mm) D x 19" (483 mm) H	17-1/2" (445 mm)	B21	Chrome	\$185.15
5WB2-2122CR-1	Pullout Shelves	20-3/4" (527 mm) W x 22-1/4" (565 mm) D x 19" (483 mm) H	20-1/2" (521 mm)	B24	Chrome	\$200.95
5WB2-2422CR-1	Pullout Shelves	23-3/4" (603 mm) W x 22-1/4" (565 mm) D x 19" (483 mm) H	23-1/2" (597 mm)	B27	Chrome	\$229.55

Accessories

5WB-DMKIT	Door Mount Kit for Wire Pullout				Silver	\$45.45
-----------	---------------------------------	--	--	--	--------	---------



- Designed for 15" and 24" base cabinets
- Chrome-plated wire frame
- (2) slide configurations:
 - Full-extension, ball-bearing slides, 100 lb. rated
 - Full-extension, ball-bearing slides, 100 lb. rated with soft-close
- Independently operating shelves that accommodate a variety of cookware sizes and brands
- Top tier organizes lids
- Bottom tier with adjustable dividers stores a variety of larger pots and pans
- Mounts to cabinet floor, side and rear wall
- US Patent No. D588,415
- U-shaped bracket for added support
- Door mount brackets available (sold separately)

Base Solutions

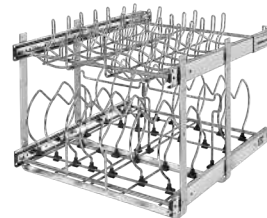
5CW2-2122-CR



For video visit:
rev-a-shelf.com/videos



5CW2-1222-CR
 Cookware Organizer
 Holds (7) Lids



5CW2-2122-CR
 Cookware Organizer
 Holds (14) Lids



Door mount kit, sold separately

Two-Tier Cookware Organizer Pullout

PRODUCT	DESCRIPTION	DIMS	MCO	CAB	FINISH	SLP
5CW2-1222-CR	Cookware Organizer	11-3/4" (299 mm) W x 22" (559 mm) D x 18" (457 mm) H	12" (305 mm)	B15	Chrome	\$174.85
5CW2-2122-CR	Cookware Organizer	20-3/4" (527 mm) W x 22" (559 mm) D x 18-1/8" (460 mm) H	21" (533 mm)	B24	Chrome	\$315.65

Two-Tier Cookware Organizer w/ Ball-Bearing Soft-Close

5CW2-1222SC-CR	Cookware Organizer	11-3/4" (299 mm) W x 22" (559 mm) D x 18" (457 mm) H	12" (305 mm)	B15	Chrome	\$200.80
5CW2-2122SC-CR	Cookware Organizer	20-3/4" (527 mm) W x 22" (559 mm) D x 18-1/8" (460 mm) H	21" (533 mm)	B24	Chrome	\$362.65

Accessories

5WB-DMKIT	Door Mount Kit				Silver	\$34.95
-----------	----------------	--	--	--	--------	---------

Base Door Storage



4SBSU-15

4SBSU Series

- Designed for 15", 18" and 21" base cabinet doors
- Natural maple construction with semi-gloss finish
- Patented adjustable door mount brackets that provide up to 5" adjustability (US Patent No. 7,204,569)
- Easy 4-screw installation
- TSCA Title VI compliant



Includes removable top tray

Door Mount Base Door Storage

PRODUCT	DESCRIPTION	DIMS	MCO	CAB	FINISH	SLP
4SBSU-15	Door Storage	10-1/2" (267 mm) W x 5" (127 mm) D x 18-1/2" (470 mm) H	12" (305 mm)	B15	Maple	\$69.00
4SBSU-18	Door Storage	13-1/2" (343 mm) W x 5" (127 mm) D x 18-1/2" (470 mm) H	15" (381 mm)	B18	Maple	\$75.55
4SBSU-21	Door Storage	16-1/2" (419 mm) W x 5" (127 mm) D x 18-1/2" (470 mm) H	18" (457 mm)	B21	Maple	\$87.30

Grocery Bag Holder



4SPBD-15

4SPBD Series

- Designed for 15" and 18" base cabinet doors
- Natural maple construction with semi-gloss finish
- Patented adjustable door mount brackets that provide up to 5" adjustability (US Patent No. 7,204,569)
- TSCA Title VI Compliant

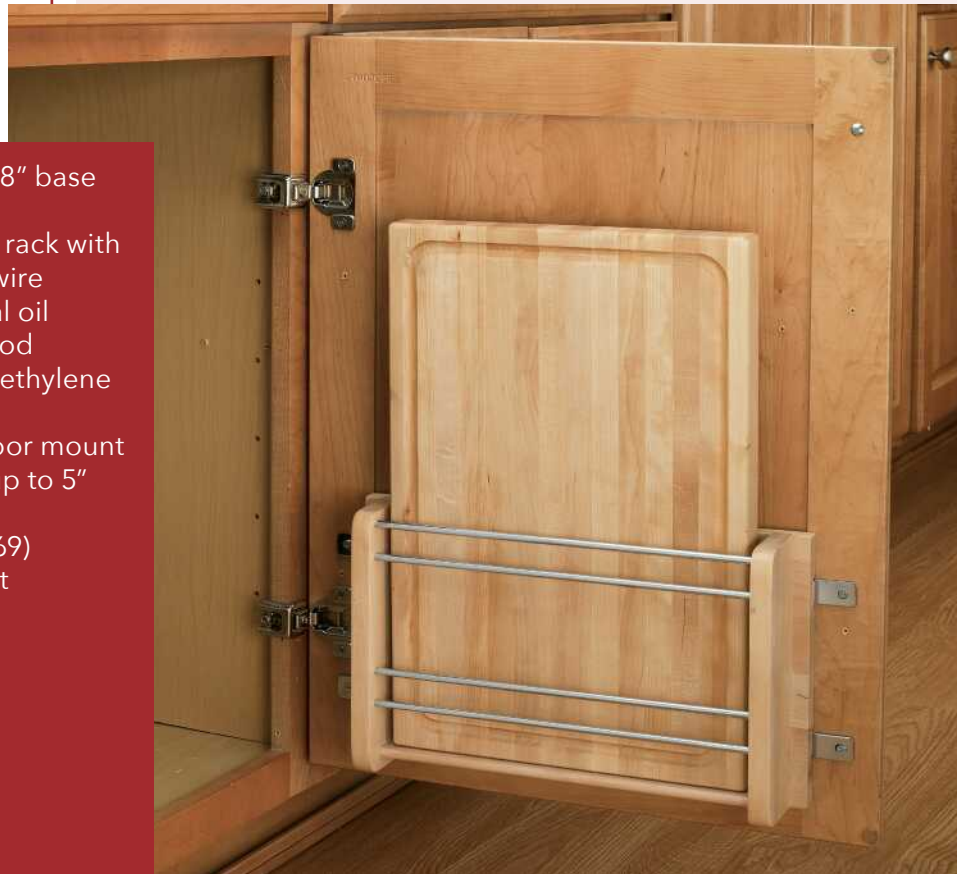


Includes removable top tray

Door Mount Grocery Bag Holder

PRODUCT	DESCRIPTION	DIMS	MCO	CAB	FINISH	SLP
4SPBD-15	Door Storage	10-1/2" (267 mm) W x 5" (127 mm) D x 18-5/8" (473 mm) H	12" (305 mm)	B15	Maple	\$85.25
4SPBD-18	Door Storage	13-1/2" (343 mm) W x 5" (127 mm) D x 18-5/8" (473 mm) H	15" (381 mm)	B18	Maple	\$93.10

- Designed for 15" and 18" base cabinets
- Natural maple support rack with chrome-plated round wire
- Available with a mineral oil treated, maple hardwood cutting board or a Polyethylene cutting board
- Patented adjustable door mount brackets that provide up to 5" adjustability (US Patent No. 7,204,569)
- TSCA Title VI compliant



4DMCB-18



4DMCB-15
Wood Cutting Board
(15" Version shown)



4DMCB-18P
Polyethylene Cutting Board
(18" Version shown)



Adjustable Mounting Brackets
(US Patent No. 7,204,569)

Natural Maple Door Mount Cutting Board

PRODUCT	DESCRIPTION	DIMS	MCO	CAB	FINISH	SLP
4DMCB-15	Cutting Board	10-1/2" (267 mm) W x 2-7/8" (73 mm) D x 16-7/8" (429 mm) H	10-7/8" (305 mm) - FF 10-7/8" (305 mm) - FL	B15	Maple	\$91.20
4DMCB-18	Cutting Board	13-1/2" (343 mm) W x 2-7/8" (73 mm) D x 16-7/8" (429 mm) H	13-7/8" (352 mm) - FF 13-7/8" (352 mm) - FL	B18	Maple	\$103.25

Polyethylene Door Mount Cutting Board

4DMCB-15P	Cutting Board	11-5/16" (287 mm) W x 2" (51 mm) D x 16-7/16" (417 mm) H	12" (305 mm) - FF 12" (305 mm) - FL	B15	Polyethylene/Maple	\$82.65
4DMCB-18P	Cutting Board	14-3/4" (375 mm) W x 2" (51 mm) D x 16-7/16" (417 mm) H	15-1/4" (387 mm) - FF 15-1/4" (387 mm) - FL	B18	Polyethylene/Maple	\$104.40



- 8", 11", 14" and 20" width trays
- Natural maple construction with chrome-plated round wire
- (1) or (5) tray sets
- Easy-to-install screw-in clips
- Trays can also be mounted to 26" or 58" aluminum standards (sold separately)
- TSCA Title VI compliant

4231-11-52



14" Trays can be used with aluminum standards (Sold separately)



Bracket Extension Kit (Sold separately)



4231-08-52 Door Storage Tray (8" Version shown)

NOTE: Additional tray clips may be ordered - Part No: 6231-41-4101-10

Wood Door Mount Storage Tray w/ Screw-In Clips

PRODUCT	DESCRIPTION	DIMS	MCO	CAB	FINISH	SLP
4231-08-52	8" Storage Tray	7-3/4" (197 mm) W x 4-1/4" (108 mm) D x 3-5/8" (92 mm) H	9" (229 mm)	B12	Maple	\$41.30
4231-11-52	11" Storage Tray	10-3/4" (273 mm) W x 4-1/4" (108 mm) D x 3-5/8" (92 mm) H	12" (305 mm)	B15	Maple	\$45.25
4231-14-52	14" Storage Tray	13-3/4" (349 mm) W x 4-1/4" (108 mm) D x 3-5/8" (92 mm) H	15" (381 mm)	B18	Maple	\$50.00
4231-20-52	20" Storage Tray	19-3/4" (502 mm) W x 4-1/4" (108 mm) D x 3-5/8" (92 mm) H	21" (533 mm)	B24	Maple	\$56.10

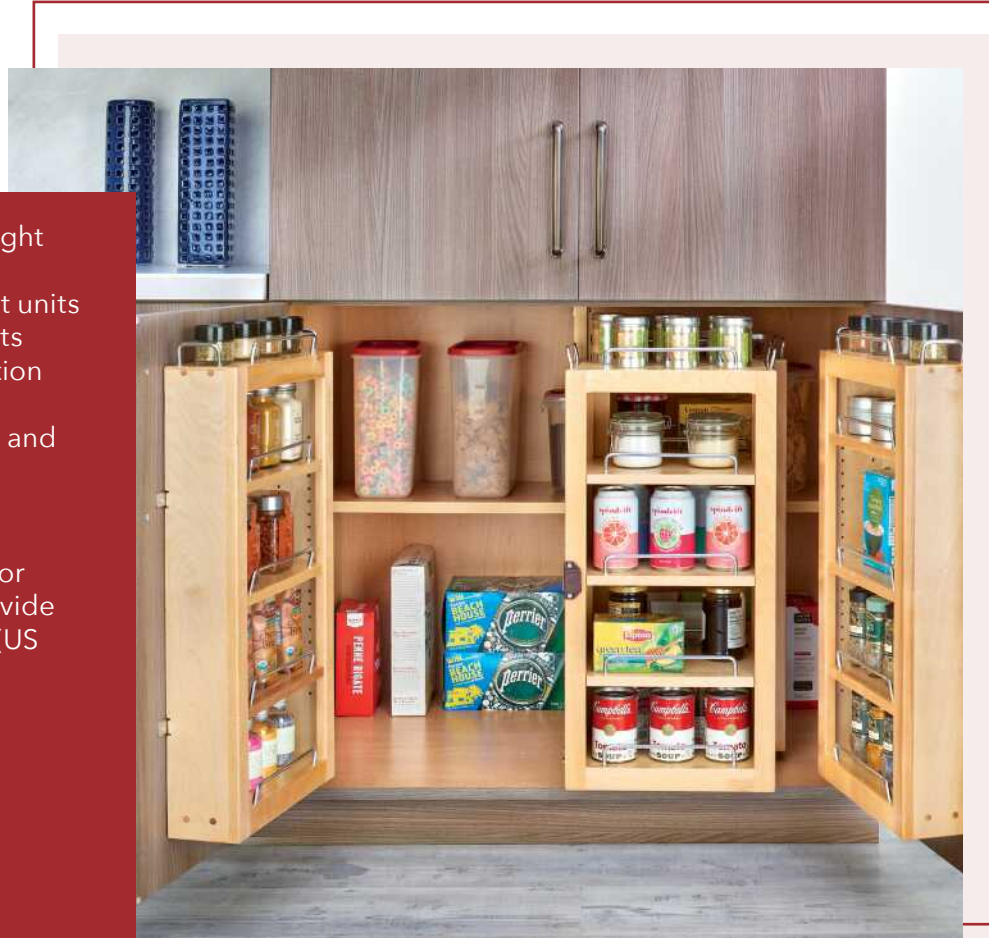
(5) Wood Door Mount Storage Trays w/ Screw-In Clips

4235-11-5	11" Storage Trays	10-3/4" (273 mm) W x 4-1/4" (108 mm) D x 3-5/8" (92 mm) H	12" (305 mm)	B15	Maple	\$35.10 ea.
4235-14-5	14" Storage Trays	13-3/4" (349 mm) W x 4-1/4" (108 mm) D x 3-5/8" (92 mm) H	15" (381 mm)	B18	Maple	\$37.00 ea.
4235-20-5	20" Storage Trays	19-3/4" (502 mm) W x 4-1/4" (108 mm) D x 3-5/8" (92 mm) H	21" (533 mm)	B24	Maple	\$42.90 ea.

Accessories

6230-MB-11-1	Mounting Bracket Extension Kit				White	\$13.20
6232-26-4528-52	Pair Aluminum Standards w/ (4) Clips	26" (660 mm) L			Alum	\$52.90
6232-58-4528-52	Pair Aluminum Standards w/ (10) Clips	58" (1473 mm) L			Alum	\$81.05

- Designed for 36" full height base cabinets
- Kit includes (2) swing out units and (2) door storage units
- Natural maple construction with semi-gloss finish
- Adjustable interior door and pantry shelves
- Chrome-plated accents
- Industrial piano hinge
- Patented adjustable door mount brackets that provide up to 5" of adjustability (US Patent No. 7,204,569)
- TSCA Title VI compliant



4WBSP18-25-KIT
Swing Out Pantry Kit
(2) 4WBSP18-25 and (2) 4WBDP18-25

Chrome top rails can be installed to store items.

NOTE: Minimum CABINET Height: 4WBP18-25-KIT = 25-3/4" (654 mm) without top rails or 28- 3/4" (730 mm) with top rails

Swing Out Pantry

PRODUCT	DESCRIPTION	DIMS	MCO	CAB	FINISH	SLP
4WBP18-25-KIT	25" Swing Out Pantry Kit - Includes (2) 4WBSP18-25 and (2) 4WBDP18-25		33" (838 mm)	FHB36	Maple	\$479.50
4WBSP18-25	(1) 25" Swing Out Pantry Unit w/ Hardware	12" (305 mm) W x 7-1/2" (191 mm) D x 25" (635 mm) H	33" (838 mm)	FHB36	Maple	\$132.10
4WBDP18-25	(1) 25" Pantry Door Unit w/ Hardware	12" (305 mm) W x 4" (102 mm) D x 25" (635 mm) H	15-1/4" (387 mm)	FHB36	Maple	\$118.30

Vanity Storage Rack

4VR Series



- Designed for 12", 15", 18", 21" and 24" vanity base cabinets
- Natural maple frame with semi-gloss finish
- Mounts to cabinet door
- Patented adjustable door mount brackets that provide up to 5" adjustability (US Patent No. 7,204,569)
- (2) non-skid vinyl shelves with acrylic accents
- TSCA Title VI compliant

4VR-15-1



Adjustable Mounting Brackets
(US Patent No. 7,204,569)



4VR-12-1
Storage Rack
(12" version shown)



4VR-21-1
Storage Rack for 21"
(21" version shown)

Door Mount Vanity Storage Rack

PRODUCT	DESCRIPTION	DIMS	MCO	CAB	FINISH	SLP
4VR-12-1	Storage Rack for 12"	8-1/4" (210 mm) W x 3-1/8" (79 mm) D x 15-1/2" (394 mm) H	9" (229 mm)	VB12	Maple	\$69.95
4VR-15-1	Storage Rack for 15"	11-1/4" (286 mm) W x 3-1/8" (79 mm) D x 15-1/2" (394 mm) H	12" (305 mm)	VB15	Maple	\$76.60
4VR-18-1	Storage Rack for 18"	14-1/4" (362 mm) W x 3-1/8" (79 mm) D x 15-1/2" (394 mm) H	15" (381 mm)	VB18	Maple	\$92.35
4VR-21-1	Storage Rack for 21"	17-1/4" (438 mm) W x 3-1/8" (79 mm) D x 15-1/2" (394 mm) H	18" (457 mm)	VB21	Maple	\$100.10
4VR-24-1	Storage Rack for 24"	20-1/4" (514 mm) W x 3-1/8" (79 mm) D x 15-1/2" (394 mm) H	21" (533 mm)	VB24	Maple	\$98.60

- Designed for 15" and 18" base cabinets
- (1) woven nylon basket:
 - Espresso with natural maple rails and semi-gloss finish
 - Espresso with walnut rails and satin finish
- 6-screw installation
- Trim-to-fit rails
- Rails are natural maple with semi-gloss finish or walnut with satin finish
- Mounts to cabinet side walls
- (1) machine washable canvas liner
- TSCA Title VI compliant



4WBP18-25-KIT



4WV-15MP
Woven Basket with Rails
(15" Maple Version shown)



New woven nylon construction

PART	Inside Cabinet Width (Min.)	Inside Cabinet Width (Max.)	Basket Frame Width
4WV-15MP	12-3/8" (314 mm)	14-11/16" (373 mm)	11-5/16" (287 mm)
4WV-15WN	12-3/8" (314 mm)	14-11/16" (373 mm)	11-5/16" (287 mm)
4WV-18MP	15-3/8" (391 mm)	17-11/16" (449 mm)	14-5/16" (379 mm)
4WV-18WN	15-3/8" (391 mm)	17-11/16" (449 mm)	14-5/16" (379 mm)

Woven Basket w/ Rails

PRODUCT	DESCRIPTION	DIMS	MCO	CAB	FINISH	SLP
4WV-15MP	Woven Basket with Maple Rails	14-11/16" (373 mm) W x 21-1/4" (540 mm) D x 7-3/8" (188 mm) H	12" (305 mm) - FF 12-3/8" (315 mm) - FL	B15	Maple	\$180.25
4WV-15WN	Woven Basket with Walnut Rails	14-11/16" (373 mm) W x 21-1/4" (540 mm) D x 7-3/8" (188 mm) H	12" (305 mm) - FF 12-3/8" (315 mm) - FL	B15	Walnut	\$285.65
4WV-18MP	Woven Basket with Maple Rails	17-11/16" (449 mm) W x 21-1/4" (540 mm) D x 7-3/8" (188 mm) H	15" (381 mm) - FF 15-3/8" (391 mm) - FL	B18	Maple	\$189.80
4WV-18WN	Woven Basket with Walnut Rails	17-11/16" (449 mm) W x 21-1/4" (540 mm) D x 7-3/8" (188 mm) H	15" (381 mm) - FF 15-3/8" (391 mm) - FL	B18	Walnut	\$304.05

Towel Bar Base Filler Pullout

432TB Series



- Designed for 3" and 6" base cabinet applications
- Natural maple construction with semi-gloss finish
- (2) towel bars
- Single static shelf with chrome wire accents
- Full-extension, ball-bearing slides with soft-close
- Mounts between cabinets
- TSCA Title VI compliant

Base Solutions

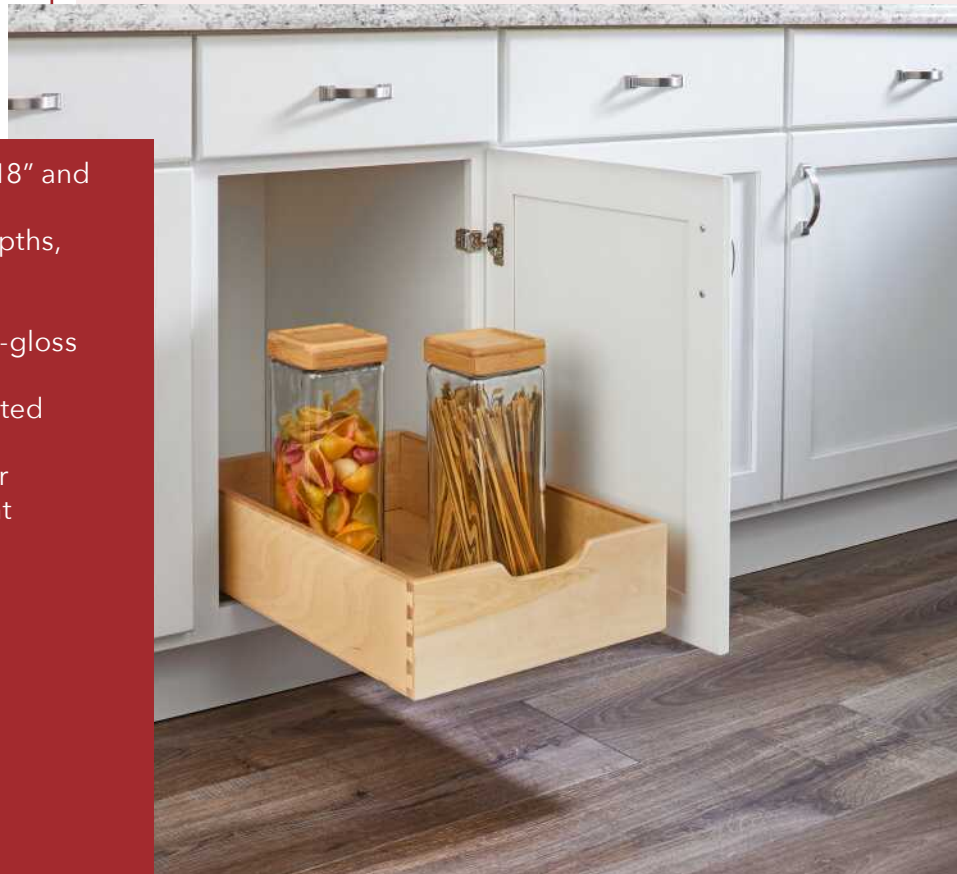
432TB-BFBBSC-3C

Natural Maple Towel Bar Base Cabinet Filler w/ Ball-Bearing Soft-Close

PRODUCT	DESCRIPTION	DIMS	FINISH	SLP
432TB-BFBBSC-3C	3" Filler	3" (76 mm) W x 23" (584 mm) D x 30" (762 mm) H	Maple	\$225.50
432TB-BFBBSC-6C	6" Filler	6" (152 mm) W x 23" (584 mm) D x 30" (762 mm) H	Maple	\$332.20



- Designed for 12", 15", 18" and 21" base cabinets
- 12" available in two depths, 18" and 22"
- Natural maple dovetail construction with semi-gloss finish
- 3/4 extension, 33 lb. rated slides with soft-close
- Mounts to cabinet floor
- TSCA Title VI compliant



4WDB-1522SC-1



4WDB-1218SC-1
Drawer Pullout
(12" Version shown)



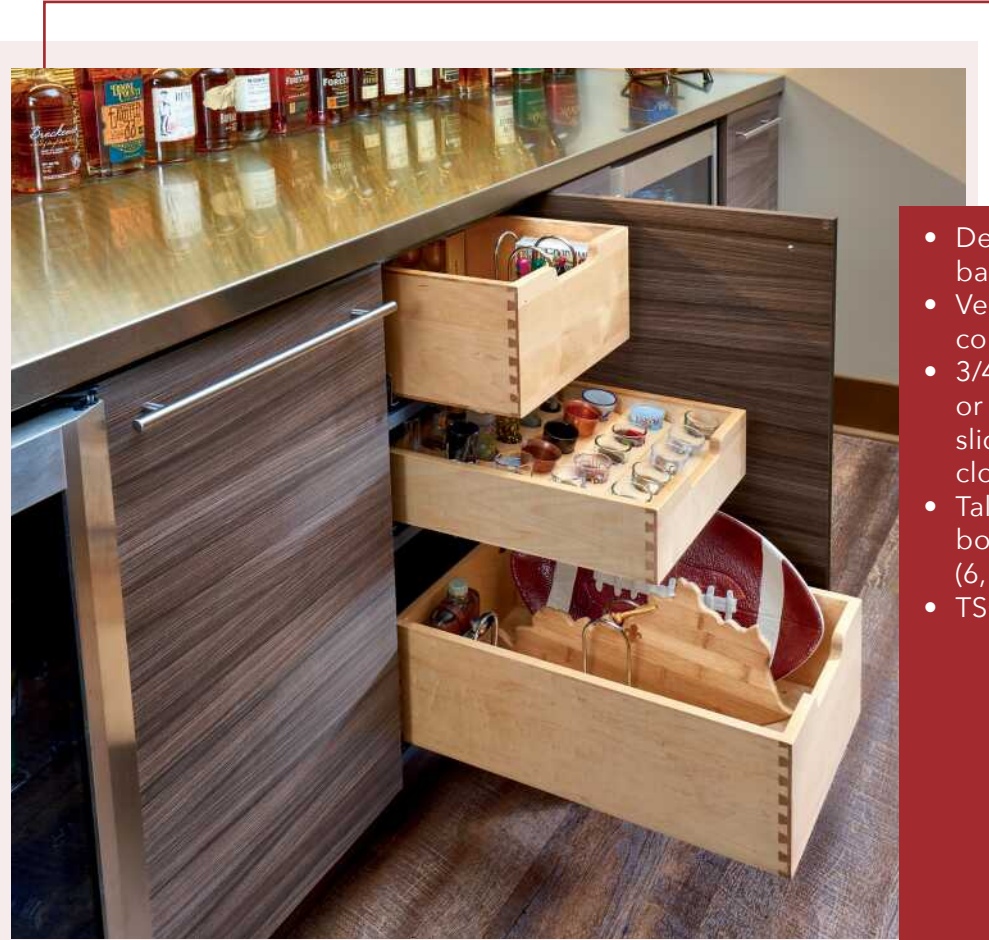
3/4 extension soft-close slide

Drawer Pullout w/ 3/4 extension Soft-Close

PRODUCT	DESCRIPTION	DIMS	MCO	CAB	FINISH	SLP
4WDB-1218SC-1	Pullout Drawer	11" (279 mm) W x 18-3/8" (467 mm) D x 5-21/32" (144 mm) H	12" (305 mm)	B15	Maple	\$87.60
4WDB-1222SC-1	Pullout Drawer	11" (279 mm) W x 22-3/8" (568 mm) D x 5-21/32" (144 mm) H	12" (305 mm)	B15	Maple	\$91.10
4WDB-1522SC-1	Pullout Drawer	14" (356 mm) W x 22-3/8" (568 mm) D x 5-21/32" (144 mm) H	15" (381 mm)	B18	Maple	\$101.20
4WDB-1822SC-1	Pullout Drawer	17" (432 mm) W x 22-3/8" (568 mm) D x 5-21/32" (144 mm) H	18" (457 mm)	B21	Maple	\$111.05
4WDB-2122SC-1	Pullout Drawer	20" (508 mm) W x 22-3/8" (568 mm) D x 5-21/32" (144 mm) H	21" (533 mm)	B24	Maple	\$120.95

Drawer Pullout

4WDB* Series



- Designed for 15" and 18" base cabinets
- Veneer plywood dovetail construction
- 3/4 extension, soft-close slides or full-extension, 100 lb. rated slides with BLUMOTION soft-close
- Tall drawers feature peg board bottoms with (3, 4) pegs and (6, 8) maple pegs
- TSCA Title VI compliant

Page Solutions

4WDB7-24SC-1/4WDB4-18SC-1

Pictured with our K-Cup Insert, sold separately (three units shown)



4WDB7-24SC-1
Drawer Pullout
(24" with dividers version shown)

Drawer Pullout w/ BLUMOTION Soft-Close

4WDB4-18SC-1	Standard Drawer	14" (356 mm) W x 21-5/8" (549 mm) D x 4-7/8" (124 mm) H	15" (381 mm)	B18	Maple	\$304.50
4WDB7-18SC-1	Tall Drawer with dividers	14" (356 mm) W x 21-5/8" (549 mm) D x 8" (203 mm) H	15" (381 mm)	B18	Maple	\$387.00
4WDB4-24SC-1	Standard Drawer	20" (508 mm) W x 21-5/8" (549 mm) D x 4-7/8" (124 mm) H	21" (533 mm)	B24	Maple	\$346.40
4WDB7-24SC-1	Tall Drawer with dividers	20" (508 mm) W x 21-5/8" (549 mm) D x 8" (203 mm) H	21" (533 mm)	B24	Maple	\$446.90



For video visit:
rev-a-shelf.com/videos



4PIL-18SC-2

- Designed for 18" (14-1/4" minimum cabinet opening) and 24" (20-1/4" minimum cabinet opening) base cabinets
- Double and triple drawer options available
- Tall drawers feature peg board bottoms with (3,4) pegs and (6,8) metal dividers
- BLUMOTION soft-close slides
- Stackable for use in a pantry applications
- Easily adjustable drawer height locations for storing tall and short items
- TSCA Title VI compliant

Minimum Cabinet Opening

PRODUCT #	MCO FF	MCO FL
4PIL-18SC-SV-2	14-1/4" (362 mm)	16-1/2" (419 mm)
4PIL-18SC-SV-3	14-1/4" (362 mm)	16-1/2" (419 mm)
4PIL-24SC-SV-2	20-1/4" (514 mm)	22-1/2" (572 mm)
4PIL-24SC-SV-3	20-1/4" (514 mm)	22-1/2" (572 mm)
4PIL-18SC-2	14-1/4" (362 mm)	16-1/2" (419 mm)
4PIL-18SC-3	14-1/4" (362 mm)	16-1/2" (419 mm)
4PIL-24SC-2	20-1/4" (514 mm)	22-1/2" (572 mm)
4PIL-24SC-3	20-1/4" (514 mm)	22-1/2" (572 mm)
4WDB4-PIL-18SC-1	14-1/4" (362 mm)	16-1/2" (419 mm)
4WDB7-PIL-18SC-1	14-1/4" (362 mm)	16-1/2" (419 mm)
4WDB4-PIL-24SC-1	20-1/4" (514 mm)	22-1/2" (572 mm)
4WDB7-PIL-24SC-1	20-1/4" (514 mm)	22-1/2" (572 mm)

NOTE: See page 176 to see the Pilaster System in a base application



4PIL-18SC-3
Pilaster System Kit
(2) Standard, (1) tall and brown finish shown



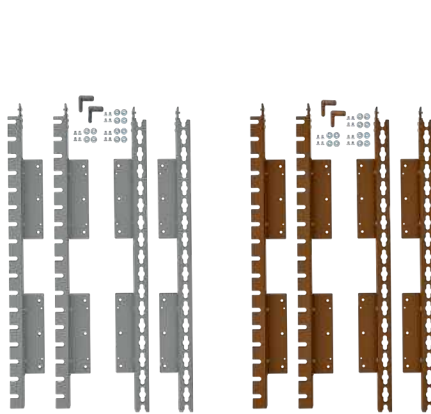
4PIL-24SC-SV-2
Pilaster System Kit
(1) Standard, (1) tall and silver finish shown



4WDB7-PIL-24SC-1
Tall Drawer w/ Dividers
(24" version shown)

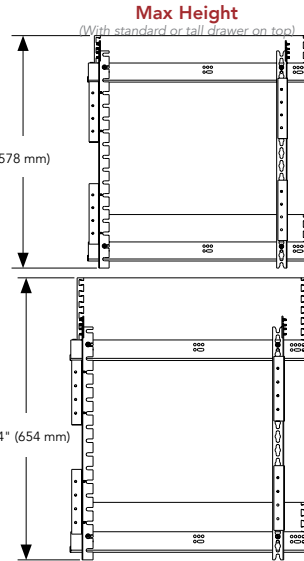


4WDB4-PIL-18SC-1
Standard Drawer
(18" version shown)



4PIL-21SV-1 & 4PIL-21-1
Pilaster Uprights
(Silver and brown finish shown)

*Adjustable +/- 3/8". †Adjustable to 2".



4PIL-BUTTON-1
Pilaster slide attachment buttons



Pilaster System Kits w/ BLUMOTION Soft-Close - Slides and Uprights - Silver

PRODUCT	DESCRIPTION	DIMS	CAB	FINISH	SLP
4PIL-18SC-SV-2	(1) Standard, (1) Tall w/ Dividers	16-1/2" (567 mm) W* x 22-1/16" (560 mm) D x 21-1/4" (540 mm) H	B18	Maple	\$599.70
4PIL-18SC-SV-3	(2) Standard, (1) Tall w/ Dividers	16-1/2" (567 mm) W* x 22-1/16" (560 mm) D x 23-3/4" (603 mm) H	B18	Maple	\$810.25
4PIL-24SC-SV-2	(1) Standard, (1) Tall w/ Dividers	22-1/2" (571 mm) W* x 22-1/16" (560 mm) D x 21-1/4" (540 mm) H	B24	Maple	\$670.35
4PIL-24SC-SV-3	(2) Standard, (1) Tall w/ Dividers	22-1/2" (571 mm) W* x 22-1/16" (560 mm) D x 23-3/4" (603 mm) H	B24	Maple	\$904.95

Pilaster System Kits - w/ BLUMOTION Soft-Close - Slides and Uprights - Brown

4PIL-18SC-2	(1) Standard, (1) Tall w/ Dividers	16-1/2" (567 mm) W* x 22-1/16" (560 mm) D x 21-1/4" (540 mm) H	B18	Maple	\$602.50
4PIL-18SC-3	(2) Standard, (1) Tall w/ Dividers	16-1/2" (567 mm) W* x 22-1/16" (560 mm) D x 23-3/4" (603 mm) H	B18	Maple	\$813.90
4PIL-24SC-2	(1) Standard, (1) Tall w/ Dividers	22-1/2" (571 mm) W* x 22-1/16" (560 mm) D x 21-1/4" (540 mm) H	B24	Maple	\$670.20
4PIL-24SC-3	(2) Standard, (1) Tall w/ Dividers	22-1/2" (571 mm) W* x 22-1/16" (560 mm) D x 23-3/4" (603 mm) H	B24	Maple	\$909.30

Pilaster Kits - Uprights Only

4PIL-21-SV-1	Pilaster Upright Kit	1" (25 mm) W† x 1" (25 mm) D x 21-1/4" (540 mm) H		Silver	\$84.40
4PIL-21-SV-10	(10) Pilaster Upright Kits			Silver	\$63.20 ea.
4PIL-21-1	Pilaster Upright Kit	1" (25 mm) W† x 1" (25 mm) D x 21-1/4" (540 mm) H		Brown	\$84.40
4PIL-21-10	(10) Pilaster Upright Kits			Brown	\$63.20 ea.

Pilaster Buttons

4PIL-BUTTON-1	Pilaster upright button kit for slide attach (1 set of 4 buttons)			Silver	\$6.10
4PIL-BUTTON-12	Pilaster upright buttons for slide attach (12 sets of 4 buttons)			Silver	\$2.45 ea.

Drawer Box w/ BLUMOTION Soft-Close

PRODUCT	DESCRIPTION	DIMS	MCO	BC	FINISH	SLP
4WDB4-PIL-18SC-1	(1) Standard drawer	13-3/8" (339 mm) W x 21" (533 mm) D x 4" (102 mm) H (drawers only)		B18	Maple	\$257.80
4WDB7-PIL-18SC-1	(1) Tall drawer w/ dividers	13-3/8" (340 mm) W x 21" (533 mm) D x 7" (178 mm) H (drawers only)		B18	Maple	\$340.15
4WDB4-PIL-24SC-1	(1) Standard drawer for 24"	19-3/8" (492 mm) W x 21" (533 mm) D x 4" (102 mm) H (drawers only)		B24	Maple	\$285.50
4WDB7-PIL-24SC-1	(1) Tall drawer w/ dividers	19-3/8" (567 mm) W x 21" (533 mm) D x 7" (178 mm) H (drawers only)		B24	Maple	\$385.25



- Designed for 18" and 24" base cabinets
- Natural maple dovetail construction with semi-gloss finish
- Adjustable clip-on lid dividers (5 w/ 18") (8 w/ 24")
- (7) customizable chrome "U" pegs
- Full-extension with 3/4" over-travel, MOVENTO slide w/ BLUMOTION soft-close
- Mount to cabinet floor
- US Patent No. D758,112
- TSCA Title VI compliant



Base Solutions

4FSCO-24SC-1



4FSCO-18SC-1
Food Storage Container Organizer
(18" Version shown)



Clip-on lid dividers



Versatile peg board with (7) Chrome "U" pegs



For video visit:
rev-a-shelf.com/videos

Food Storage Container Organizer w/ MOVENTO Soft-Close

PRODUCT	DESCRIPTION	DIMS	MCO	CAB	FINISH	SLP
4FSCO-18SC-1	Food Storage Container Organizer	14-1/2" (368 mm) W x 22-1/4" (565 mm) D x 18-7/8" (479 mm) H	14-1/2" (368 mm)	B18	Maple	\$447.90
4FSCO-24SC-1	Food Storage Container Organizer	20-1/2" (521 mm) W x 22-1/4" (565 mm) D x 18-7/8" (479 mm) H	20-1/2" (521 mm)	B24	Maple	\$486.90



- Designed for 3", 6" and 9" base filler applications
- Natural maple construction with semi-gloss finish
- (2) slide configurations:
 - Full-extension, ball-bearing slides
 - Full extension slides with ball-bearing soft-close
- Adjustable shelves with chrome rails
- 3-slide design for 6" filler
- Create a functional storage space behind decorative panels
- TSCA Title VI compliant

432-BFBBSC-3C



432-BF-3C
Base Cabinet Filler
(3" Version shown)



432-BFBBSC-6C
Base Cabinet Filler
w/ Ball-Bearing Soft-Close
(6" Version shown)

NOTE: See page 238 wall cabinet version

Base Cabinet Filler w/ Ball-Bearing Soft-Close

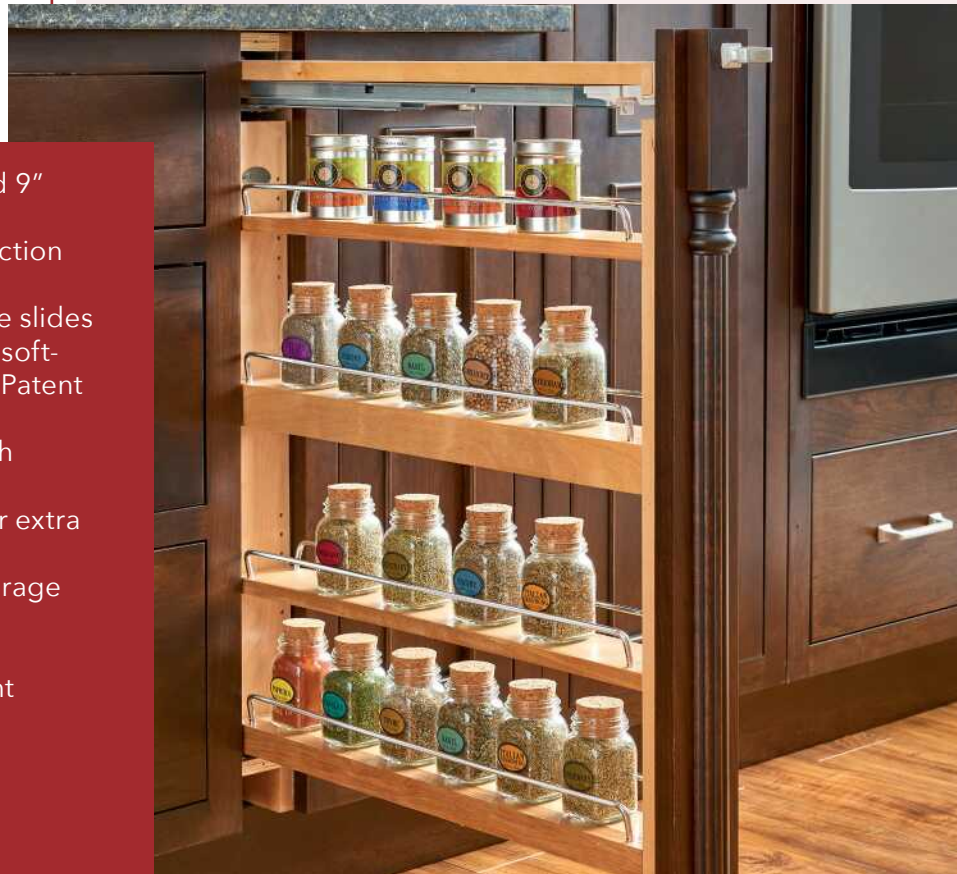
PRODUCT	DESCRIPTION	DIMS	FINISH	SLP
432-BFBBSC-3C	3" Base Filler Organizer	3" (76 mm) W x 23" (584 mm) D x 30" (762 mm) H	Maple	\$236.80
432-BFBBSC-6C	6" Base Filler Organizer	6" (152 mm) W x 23" (584 mm) D x 30" (762 mm) H	Maple	\$297.10

Base Cabinet Filler

432-BF-3C	3" Base Filler Organizer	3" (76 mm) W x 23" (584 mm) D x 30" (762 mm) H	Maple	\$195.30
432-BF-6C	6" Base Filler Organizer	6" (152 mm) W x 23" (584 mm) D x 30" (762 mm) H	Maple	\$237.80
432-BF-9C	9" Base Filler Organizer	9" (229 mm) W x 23" (584 mm) D x 30" (762 mm) H	Maple	\$325.10



- Designed for 3", 6" and 9" base filler applications
- Natural maple construction with semi-gloss finish
- BLUMOTION soft-close slides
- Patented undermount soft-close slide system (US Patent No. 8,733,865)
- Adjustable shelves with chrome rails
- Middle shelf is solid for extra support
- Create a functional storage space behind those decorative panels
- TSCA Title VI compliant



Base Solutions

432-BFSC-3C



432-BFSC-6C
Base Cabinet Filler
(6" version shown)



432-BFSC-9C
Base Cabinet Filler
(9" version shown)



Jack screw for door micro-adjustments

Base Cabinet Filler w/ BLUMOTION Soft-Close

PRODUCT	DESCRIPTION	DIMS	FINISH	SLP
432-BFSC-3C	3" Base Filler Organizer	3" (76 mm) W x 23" (584 mm) D x 30" (762 mm) H	Maple	\$321.90
432-BFSC-6C	6" Base Filler Organizer	6" (152 mm) W x 23" (584 mm) D x 30" (762 mm) H	Maple	\$376.15
432-BFSC-9C	9" Base Filler Organizer	9" (229 mm) W x 23" (584 mm) D x 30" (762 mm) H	Maple	\$463.40



- Designed for 9" base filler applications
- One side features adjustable 2-3/4" wide shelves
- Opposite side features magnetic grade stainless steel panel
- (2) slide configurations:
 - Full-extension, ball-bearing slides
 - Full-extension, ball-bearing slides with soft-close
- Adjustable accessory hooks included
- Additional accessory hooks can be purchased separately (pg. 145)
- TSCA Title VI compliant

433-BF-9C



Magnetic grade stainless steel panel



433-BFBBSC-9C
Hybrid base cabinet filler w/ customizable accessory hooks

Hybrid Base Cabinet Filler

PRODUCT	DESCRIPTION	DIMS	FINISH	SLP
433-BF-9C	9" Base Filler Organizer	9" (229 mm) W x 23" (584 mm) D x 30" (762 mm) H	Maple	\$522.15
433-BFBBSC-9C	9" Base Filler Organizer w/Soft-Close	9" (229 mm) W x 23" (584 mm) D x 30" (762 mm) H	Maple	\$576.95



434-BFBBSC-3SS

- Designed for 3" and 6" base filler applications
- (2) slide configurations:
 - Full-extension, 100 lb. rated ball-bearing slides with soft-close
 - Full extension ball-bearing slides
- Magnetic grade stainless steel panel
- Variety of accessory hooks and pegs included
- Additional accessory hooks can be purchased separately
- TSCA Title VI compliant

NOTE: See page 248 wall cabinet version



Sewing application



Magnetic grade stainless steel panel



434-BF-3C
Base Cabinet Filler
(3" version shown)



434-BCSC-6C
Base Cabinet Filler w/ Soft-Close
(6" version shown)



434-S3-5
3" Single Hook



434-S6-5
6" Single Hook



434-D3-5
3" Double Hook



434-D6-5
6" Double Hook



434-PEG3-6
3" Peg



434-PEG6-6
6" Peg

Base Cabinet Filler w/ Stainless Steel Panel and Ball-Bearing Soft-Close

PRODUCT	DESCRIPTION	DIMS	FINISH	SLP
434-BFBBSC-3SS	3" Base Filler Organizer	3" (76 mm) W x 23" (584 mm) D x 30" (762 mm) H	Maple	\$385.25
434-BFBBSC-6SS	6" Base Filler Organizer	6" (152 mm) W x 23" (584 mm) D x 30" (762 mm) H	Maple	\$470.95

Base Cabinet Filler w/ Stainless Steel Panel

434-BF-3SS	3" Base Filler Organizer	3" (76 mm) W x 23" (584 mm) D x 30" (762 mm) H	Maple	\$364.55
434-BF-6SS	6" Base Filler Organizer	6" (152 mm) W x 23" (584 mm) D x 30" (762 mm) H	Maple	\$415.85

Bulk Accessories

434-S3-5	(5) 3" Single Hook			\$3.20 ea.
434-D3-5	(5) 3" Double Hook			\$4.50 ea.
434-Peg3-6	(6) 3" Peg			\$3.90 ea.
434-S6-5	(5) 6" Single Hook			\$3.50 ea.
434-D6-5	(5) 6" Double Hook			\$5.10 ea.
434-Peg6-6	(6) 6" Peg			\$5.35 ea.



438-BC-3C

- Designed for full height 6" and 9" base cabinets
- Fully assembled natural maple construction with chrome accents
- (2) slide configurations:
 - Full-extension, ball-bearing, 100 lb. rated slides
 - Full-extension, 110 lb. rated, concealed slides with BLUMOTION soft-close
- Patented undermount soft-close slide system (US Patent No. 8,733,865)
- Trimmable to 26-3/8" height for custom cabinets
- Adjustable shelves
- Designed with top slide for complete stability
- TSCA Title VI compliant

Base Solutions



438-BCSC-6C
Base Organizer
(6" version shown)

NOTE: Our customers asked... so we delivered! We took the best features of our 448 Series Base Organizers and our 432 Series Filler Organizers and created this product specifically for use in full height B6 and B9 cabinets.

Base Organizer

PRODUCT	DESCRIPTION	DIMS	MCO	CAB	FINISH	SLP
438-BC-3C	Base Organizer for 6"	3" (76 mm) W x 23" (584 mm) D x 27-5/16" (694 mm) H	3" (76 mm)	FHB6	Maple	\$165.60
438-BC-6C	Base Organizer for 9"	6" (153 mm) W x 23" (584 mm) D x 27-5/16" (694 mm) H	6" (152 mm)	FHB9	Maple	\$236.80

Base Organizer w/ BLUMOTION Soft-Close

438-BCSC-3C	Base Organizer for 6"	3" (76 mm) W x 23" (584 mm) D x 27-5/16" (694 mm) H	3" (76 mm)	FHB6	Maple	\$372.65
438-BCSC-6C	Base Organizer for 9"	6" (153 mm) W x 23" (584 mm) D x 27-5/16" (694 mm) H	6" (152 mm)	FHB9	Maple	\$455.15

Base Cabinet Pullout w/ Stainless Steel Panel

444 Series



- Designed for 12" full height base cabinets
- Natural maple construction with a semi-gloss finish
- (2) slide configurations:
 - Full-extension, ball-bearing, 100 lb. rated slides
 - Full-extension, 110 lb. rated, concealed slides with BLUMOTION soft-close
- Patented mounting straps (US Patent No. 9,756,941)
- Features a magnetic grade stainless steel panel and an array of accessory hooks
- Patented door mount brackets provide 5" of adjustability (US Patent No: 8,388,076)
- Adjustable rub bushings
- Additional accessory hooks can be purchased separately, (pg. 145)
- TSCA Title VI compliant

Base
Solutions

444-BCSC-8SS



Magnetic grade stainless steel panel



444-BCSC-8SS
Base Organizer w/ BLUMOTION
Soft-Close

NOTE: See page 249 wall cabinet version

Base Cabinet Pullout Organizer w/ Stainless Steel Panel

PRODUCT	DESCRIPTION	DIMS	MCO	CAB	FINISH	SLP
444-BC-8SS	Base Organizer	8" (203 mm) W x 22-1/2" (572 mm) D x 25-1/2" (648 mm) H	8-1/2" (216 mm)	FHB12	Maple	\$437.75
Base Organizer w/ Stainless Steel Panel and BLUMOTION Soft-Close						
444-BCSC-8SS	Base Organizer	8-3/4" (222 mm) W x 21-21/32" (550 mm) D x 25-1/2" (648 mm) H	9" (229 mm) - FF 8-3/4" (222 mm) - FL	FHB12	Maple	\$589.30



448-BCBBS-8C

All Units:

- Natural maple construction with a semi-gloss finish
- Adjustable shelves with chrome rails
- Patented door mount brackets provide 5" of adjustability and include micro-trim adjuster (US Patent No. 8,388,076)
- TSCA Title VI compliant

Soft-Close Units:

- Designed for 9" and 12" full height face frame base cabinets
- Full Extension, 150 lb. rated, ball-bearing slides with soft-close
- Adjustable rub bushings

Ball-Bearing Units:

- Designed for 9", 12", 15" and 18" full height face frame base cabinets, and 9" full height frameless cabinets
- Patented "tri-slides" which minimize any side-to-side motion (US Patent No. 7,306,301)
- Patented mounting straps (US Patent No. 9,756,941)

Minimum Cabinet Opening

PRODUCT #	MCO FF	MCO FL
448-BCBBS-5C	5-1/2" (140 mm)	5-1/2" (140 mm)
448-BCBBS-8C	8-1/2" (216 mm)	8-1/2" (216 mm)
448-BC-5C	5-1/2" (140 mm)	5-1/2" (140 mm)
448-BC-6C	7" (178 mm)	7" (178 mm)
448-BC-8C	8-1/2" (216 mm)	8-1/2" (216 mm)
448-BC-11C	11-1/2" (292 mm)	11-1/2" (292 mm)
448-BC-14C	14-1/2" (368 mm)	14-1/2" (368 mm)

NOTE: See page 230 wall cabinet version



Adjustable shelves



Adjustable door mount brackets (US Patent No: 8,388,076) and jack screw for precise door alignment



Adjustable rear wall



448-BC-8C
Base Cabinet Pullout
(8" version shown)



448-BCBBS-5C
Base Cabinet Pullout w/ Soft-Close
(5" version shown)



Adjustable threaded rub bushings included for custom applications.



Plastic rub bushings included for 1.5" and 1.75" face frames applications.



IDRB-1
Adjustable Rub Bushing set for Inset Applications (1) for each side
(Sold separately)

(For inset applications we recommend our IDRBS bushing. The discreet design prevents side to side movement and fits behind the frame eliminating the need for surface drilling-giving you a seamless look and unparalleled stability.)



448-08SC-SRI-1
Spice Rack Insert
(448-BCBBS-8C version shown)
(Sold separately)

Base Cabinet Pullout w/ Ball-Bearing Soft-Close

PRODUCT	DESCRIPTION	DIMS	CAB	FINISH	SLP
448-BCBBS-5C	Base Organizer	5" (127 mm) W x 21-21/32" (550 mm) D x 25-1/2"-29-1/2" (648-749 mm) H	FHB9	Maple	\$298.25
448-BCBBS-8C	Base Organizer	8" (203 mm) W x 21-21/32" (550 mm) D x 25-1/2"-29-1/2" (648-749 mm) H	FHB12	Maple	\$315.50

Base Cabinet Pullout

448-BC-5C	Base Organizer	5" (127 mm) W x 22-1/2" (572 mm) D x 25-1/2" (648 mm) H	FHB9	Maple	\$216.90
448-BC-6C	Frameless Organizer	6-1/2" (165 mm) W x 22-1/2" (572 mm) D x 25-1/2" (648 mm) H	FHB9	Maple	\$228.40
448-BC-8C	Base Organizer	8" (203 mm) W x 22-1/2" (572 mm) D x 25-1/2" (648 mm) H	FHB12	Maple	\$256.80
448-BC-11C	Base Organizer	11" (279 mm) W x 22-1/2" (572 mm) D x 25-1/2" (648 mm) H	FHB15	Maple	\$380.75
448-BC-14C	Base Organizer	14" (356 mm) W x 22-1/2" (572 mm) D x 25-1/2" (648 mm) H	FHB18	Maple	\$451.80

Spice Rack Insert for Base Cabinet Pullout

448-08SC-SRI-1	For 448-BCBBS-8C	7" (178 mm) W x 19-7/16" (494 mm) D x 4-7/8" (124 mm) H		Maple	\$83.10
448-SR8-1	For 448-BC-8C	7" (178 mm) W x 21" (533 mm) D x 4-7/8" (124 mm) H		Maple	\$52.80
448-SR11-1	For 448-BC-11C	10" (254 mm) W x 21" (533 mm) D x 4-7/8" (124 mm) H		Maple	\$67.40

Accessories

IDRB-1	Adjustable Rub Bushing for Inset Applications			Metal	\$13.80
--------	---	--	--	-------	---------

NOTE: Minimum Cabinet Openings with rub bushings are 1/2" smaller



448-BCSC-8C & 448-08SC-SRI-1

- Designed for full access 9" and 12", face frame 9", 12", 15" and 18" full height and 9", 12" and 15" drawer/door base cabinets
- Natural maple construction with semi-gloss finish
- Full-extension slides with BLUMOTION soft-close
- Patented mounting straps (US Patent No. 9,756,941)
- Adjustable shelves with chrome rails
- Adjustable rub bushings
- Patented door mount brackets provide 5" of adjustability and include micro-trim adjuster (US Patent No. 8,388,076)
- TSCA Title VI compliant



For video visit:
rev-a-shelf.com/videos

448-BDDSC-11C

Drawer/Door Base Cabinet Pullout
(11" version shown)



Adjustable threaded rub bushings included for custom applications.



Plastic rub bushings included for 1.5" and 1.75" face frames applications.





448-08SC-SRI-1
Spice Rack
(7" version shown)
Sold separately



448-BCSC-9C
Base Cabinet Pullout for Full Access
(9" version shown)



448-BCSC-8C
Base Cabinet Pullout for Full Height
(8" version shown)



448-BC19SC-5C
Base Cabinet Pullout, Reduced Depth
(5" version shown)

Minimum Cabinet Opening

PRODUCT #	MCO FF	MCOFL
448-BCSC-5C	5-1/2" (140 mm)	6" (152 mm)
448-BC19SC-5C	5-1/2" (140 mm)	6" (152 mm)
448-BCSC-8C	8-1/2" (216 mm)	9" (229 mm)
448-BC19SC-8C	8-1/2" (216 mm)	9" (229 mm)
448-BCSC-11C	11-1/2" (292 mm)	12" (305 mm)
448-BCSC-14C	14-1/2" (368 mm)	15" (381 mm)
448-BCSC-6C	7-1/2" (191 mm)	7-1/2" (191 mm)
448-BCSC-9C	10-1/2" (268 mm)	10-1/2" (268 mm)
448-BCSCSD-5C	5-1/2" (140 mm)	6" (152 mm)
448-BCSCSD-8C	8-1/2" (216 mm)	9" (229 mm)
448-BDDSC-5C	5-1/2" (140 mm)	6" (152 mm)
448-BDDSC-8C	8-1/2" (216 mm)	9" (229 mm)
448-BDDSC-11C	11-1/2" (292 mm)	12" (305 mm)



448-BCSCSD-5C
Base Cabinet Pullout w/ SERVO-DRIVE
(5" version shown)



448-BDDSC-11C
Base Cabinet Pullout for Drawer/Door
(11" version shown)

* Reduced depth

Base Cabinet Pullout w/ BLUMOTION Soft-Close for Full Height

PRODUCT	DESCRIPTION	DIMS	CAB	FINISH	SLP
448-BCSC-5C	Base Organizer	6" (152 mm) W x 21-5/8" (549 mm) D x 25-1/2" - 29-1/2" (648- 749 mm) H	FHB9	Maple	\$343.35
448-BC19SC-5C	Base Organizer*	6" (152 mm) W x 19-9/16" (497 mm) D x 25-1/2" (648 mm) H	FHB9	Maple	\$338.00
448-BCSC-8C	Base Organizer	8-3/4" (222 mm) W x 21-5/8" (549 mm) D x 25-1/2" - 29-1/2" (648- 749 mm) H	FHB12	Maple	\$382.50
448-BC19SC-8C	Base Organizer*	8-3/4" (222 mm) W x 19-9/16" (497 mm) D x 25-1/2" (648 mm) H	FHB12	Maple	\$439.20
448-BCSC-11C	Base Organizer	11-3/4" (298 mm) W x 21-5/8" (549 mm) D x 25-1/2" - 29-1/2" (648- 749 mm) H	FHB15	Maple	\$452.70
448-BCSC-14C	Base Organizer	14-3/4" (375 mm) W x 21-5/8" (549 mm) D x 25-1/2" - 29-1/2" (648- 749 mm) H	FHB18	Maple	\$561.00

Full Access Base Cabinet Pullout w/ BLUMOTION Soft-Close

448-BCSC-6C	Base Organizer	7-1/4" (184 mm) W x 21-5/8" (549 mm) D x 25-1/2" - 29-1/2" (648- 749 mm) H	FLFHB9	Maple	\$365.55
448-BCSC-9C	Base Organizer	10-1/4" (260 mm) W x 21-5/8" (549 mm) D x 25-1/2" - 29-1/2" (648- 749 mm) H	FLFHB12	Maple	\$432.55

Base Cabinet Pullout w/ BLUMOTION Soft-Close and SERVO-DRIVE

448-BCSCSD-5C	Base Organizer	6" (152 mm) W x 22-3/4" - 24-1/4" (578-616 mm) D x 25-1/2" - 29-1/2" (648- 749 mm) H	FHB9	Maple	\$930.75
448-BCSCSD-8C	Base Organizer	8" (203 mm) W x 22-3/4" - 24-1/4" (578-616 mm) D x 25-1/2" - 29-1/2" (648- 749 mm) H	FHB12	Maple	\$976.85

Base Cabinet Pullout w/ BLUMOTION Soft-Close for Drawer/Door

448-BDDSC-5C	Base Organizer	5-29/32" (150 mm) W x 21-5/8" (549 mm) D x 19-3/8" - 23-3/8" (493- 594 mm) H	B9	Maple	\$295.20
448-BDDSC-8C	Base Organizer	8-3/4" (222 mm) W x 21-5/8" (549 mm) D x 19-3/8" - 23-3/8" (494- 594 mm) H	B12	Maple	\$374.70
448-BDDSC-11C	Base Organizer	11-3/4" (298 mm) W x 21-5/8" (549 mm) D x 19-3/8" - 23-3/8" (494- 594 mm) H	B15	Maple	\$431.40

Spice Rack Insert for Base Cabinet Pullout

448-08SC-SRI-1	Spice Rack	7" (178 mm) W x 19-7/16" (494 mm) D x 4-7/8" (124 mm) H		Maple	\$83.10
448-11SC-SRI-1	Spice Rack	10" (254 mm) W x 19-7/16" (494 mm) D x 4-7/8" (124 mm) H		Maple	\$96.00

NOTE: Minimum Cabinet Openings with rub bushings are 1/2" smaller



- Designed for 12" full height base cabinets
- Natural maple construction with semi-gloss finish
- Full-extension slides with BLUMOTION soft-close
- Patented mounting straps (US Patent No. 9,756,941)
- (7) BPA free OXO Good Grips POP containers
(3) 4.3 qt
(3) 1.7 qt
(1) 2.6 qt
- Adjustable rub bushings
- Patented door mount brackets provide 5" of adjustability and include micro-trim adjuster (US Patent No. 8,388,076)
- TSCA Title VI compliant

Base Solutions

448OXO-BCSC-8C



448OXO-BCSC-8C
Base Cabinet Pullout w/ OXO® Containers



Adjustable threaded rub bushings included for custom applications.



Plastic rub bushings included for 1.5" and 1.75" face frames applications.



For video visit:
rev-a-shelf.com/videos

Minimum Cabinet Opening

PRODUCT #	MCO FF	MCO FL
448OXO-BCSC-8C	8-1/2" (216 mm)	9" (229 mm)

Base Cabinet Pullout w/ OXO® Containers and BLUMOTION Soft-Close

PRODUCT	DESCRIPTION	DIMS	CAB	FINISH	SLP
448OXO-BCSC-8C	Base Organizer	8-3/4" (222 mm) W x 21-5/8" (549 mm) D x 25-1/2" - 29-1/2" (648- 749 mm) H	FHB12	Maple	\$774.45

NOTE: Minimum Cabinet Openings with rub bushings are 1/2" smaller

Base Cabinet Pullout w/ Utensil Bins

448UT Series



- Designed for 9" and 12" full height base cabinets
- Natural maple construction with semi-gloss finish
- Full-extension slides with BLUMOTION soft-close
- Patented mounting straps (US Patent No. 9,756,941)
- (3) 1.25 qt or (3) 2 qt. stainless steel bins
- Adjustable shelves and rear wall for added stability
- Adjustable rub bushings that prevent side to side movement
- Patented door mount brackets provide 5" of adjustability and include micro-trim adjuster (US Patent No. 8,388,076)
- TSCA Title VI compliant

Base
Solutions

448UT-BCSC-5C



Adjustable threaded rub bushings included for custom applications.



Plastic rub bushings included for 1.5" and 1.75" face frames applications.



448UT-BCSC-8C
Base Cabinet Pullout
w/Utensil Bins
(8" unit shown)

Minimum Cabinet Opening

PRODUCT #	MCO FF	MCO FL
448UT-BCSC-5C	5-1/2" (140 mm)	6" (152 mm)
448UT-BCSC-8C	8-1/2" (216 mm)	9" (229 mm)



For video visit:
rev-a-shelf.com/videos

Base Cabinet Pullout w/ (3) Utensil Bins and BLUMOTION Soft-Close

PRODUCT	DESCRIPTION	DIMS	CAB	FINISH	SLP
448UT-BCSC-5C	Base Organizer	6" (152 mm) W x 21-5/8" (549 mm) D x 25-1/2" - 29-1/2" (648- 749 mm) H	FHB9	Maple	\$420.35
448UT-BCSC-8C	Base Organizer	8-3/4" (222 mm) W x 21-5/8" (549 mm) D x 25-1/2" - 29-1/2" (648- 749 mm) H	FHB12	Maple	\$476.35

NOTE: Minimum Cabinet Openings with rub bushings are 1/2" smaller

448KB Series

Base Cabinet Pullout w/ Knife Block & Utensil Bins



- Designed for 9", 12" and 15" full height face frame base cabinets, and 12" full height full access cabinets
- Natural maple construction with a semi-gloss finish
- Full-extension slides with BLUMOTION soft-close
- Patented mounting straps (US Patent No. 9,756,941)
- (1) 2 qt. or (1) 2 qt. and (3) 1.25 qt. removable stainless steel bins
- Knife block features flex rod technology that adjust to securely hold knives
- (4) flexible plastic cutting mats
- Adjustable rear wall
- Adjustable accessory shelf and lower static shelf with chrome rails
- Patented door mount brackets provide 5" of adjustability and include micro-trim adjuster (US Patent No. 8,388,076)
- TSCA Title VI compliant



448KB-BCSC-5C

Base Solutions



448KB-BCSC-8C
Base Cabinet Pullout w/ Knife Block and Utensil Bin (8" unit shown)



448KB-BCSC-11C
Base Cabinet Pullout w/ Knife Block and Utensil Bins (11" unit shown)



Now with Flexible cutting mats



Adjustable threaded rub bushings included for custom applications.



Plastic rub bushings included for 1-1/2" and 1-3/4" face frames applications.



For video visit:
rev-a-shelf.com/videos

Minimum Cabinet Opening

PRODUCT #	MCO FF	MCO FL
448KB-BCSC-5C	6" (152 mm)	6" (152 mm)
448KB-BCSC-8C	8-1/2" (216 mm)	9" (229 mm)
448KB-BCSC-9C	10-1/2" (267 mm)	10-1/2" (267 mm)
448KB-BCSC-11C	11-1/2" (292 mm)	12" (305 mm)



Base Cabinet Pullout w/ Knife Block and Utensil Bins w/ BLUMOTION Soft-Close

PRODUCT	DESCRIPTION	DIMS	CAB	FINISH	SLP
448KB-BCSC-5C	Base Organizer w/ (1) Bin	6" (152 mm) W x 21-5/8" (549 mm) D x 25-1/2" (648 mm) H	FHB9	Maple	\$540.85
448KB-BCSC-8C	Base Organizer w/ (1) Bin	8-3/4" (222 mm) W x 21-5/8" (549 mm) D x 25-1/2 - 29-1/2" (648- 749 mm) H	FHB12	Maple	\$627.00
448KB-BCSC-11C	Base Organizer w/ (4) Bins	11-3/4" (298 mm) W x 21-5/8" (549 mm) D x 25-1/2 - 29-1/2" (648- 749 mm) H	FHB15	Maple	\$747.75

Full Access Base Cabinet Pullout w/ Knife Block and Utensil Bins w/ BLUMOTION Soft-Close

448KB-BCSC-9C	Base Organizer w/ (1) Bin	10-1/4" (260 mm) W x 21-5/8" (549 mm) D x 25-1/2 - 29-1/2" (648- 749 mm) H	FLB12	Maple	\$699.75
---------------	---------------------------	--	-------	-------	----------

NOTE: Minimum Cabinet Openings with rub bushings are 1/2" smaller

Base Cabinet Pullout Tray Divider/Foil Wrap Holder

447 Series



- Designed for 9" and 12" base cabinets
- Natural maple construction with semi-gloss finish
- Full-extension slides with BLUMOTION soft-close
- Patented mounting straps (US Patent No. 9,756,941)
- Removable center T-Bar divider for taller items
- Patented door mount brackets provide 5" of adjustability and include micro-trim adjuster (US Patent No. 8,388,076)
- TSCA Title VI compliant

447-BCSC-8C



Included T-Bars allow you to customize your storage needs



447-BCSC-5C
Base Cabinet Pullout
w/ Utensil Bins
(5" unit shown)



Adjustable threaded rub bushings included for custom applications.



Plastic rub bushings included for 1-1/2" and 1-3/4" face frames applications.

Minimum Cabinet Opening

PRODUCT #	MCO FF	MCO FL
447-BCSC-5C	5-1/2" (140 mm)	6" (152 mm)
447-BCSC-8C	8-1/2" (216 mm)	9" (229 mm)

Base Cabinet Pullout Tray Divider/Foil Wrap Holder w/ BLUMOTION Soft-Close

PRODUCT	DESCRIPTION	DIMS	CAB	FINISH	SLP
447-BCSC-5C	Base Cabinet Pullout	6" (152 mm) W x 21-21/32" (550 mm) x 19-1/2" (495 mm) H	B9	Maple	\$335.95
447-BCSC-8C	Base Cabinet Pullout	8-3/4" (222 mm) W x 21-21/32" (550 mm) x 19-1/2" (495 mm) H	B12	Maple	\$386.00



449KB-BCSC-8C

- Designed for 9" and 12" full height base cabinets
 - Face Frame fit 1-3/4", 1-1/2" and 1-5/8"
 - Full Access fit 3/4" and 5/8"
- Natural maple construction with semi-gloss finish
- (2) adjustable shelves for base organizer and (1) adjustable shelf for utensil organizer with chrome accents
- Utensil organizer features (3) 1-1/4 qt. removable stainless-steel bins
- Full-extension, TANDEM, 110 lb. rated concealed slides with BLUMOTION soft-close
- Face frame version features patent pending foldable slide set for easy installation
- Mounts to cabinet door, floor and side
- Patented foldable slide set for easy installation (US Patent No. 10,799,020)
- Patented door mount brackets provide 5" of adjustability and include micro-trim adjuster (US Patent No. 8,388,076)
- Patented design for 449, 449UT and 449KB 5C and 8C units (US Patent No. 10,799,020)
- TSCA Title VI compliant



For video visit:
rev-a-shelf.com/videos



Full access slide location



Face frame slide location



Adjustable "L" bracket for side mount



Spacer allows for multiple face frame sizes



Patented face frame foldable slide set for easy installation



Patent design
(US Patent No. 10,799,020)

449KB-BCSC-8C

Side and Bottom Mount
Knife Block Base Pullout
(8" version shown)



449-BCSC-5C
Side and Bottom Mount
Base Pullout
(5" version shown)



449-BCSC-7C
Full Access Side and Bottom Mount
Base Pullout
(7" version shown)



449-BCSC-8C
Side and Bottom Mount
Base Pullout
(8" version shown)



449UT-BCSC-7C
Full Access Side and Bottom Mount
Utensil Base Pullout
(7" version shown)

Pass
Solutions

Side and Bottom Mount Base Pullout w/ BLUMOTION Soft-Close							
PRODUCT	DESCRIPTION	DIMS	MCO	CAB	FINISH	SLP	
449-BCSC-5C	Base Organizer	6-1/4" (159 mm) W x 21-3/4" (553 mm) D x 25-19/32" (508 mm) H	5-1/2" (140 mm)	FHB9	Maple	\$401.35	
449-BCSC-8C	Base Organizer	9-1/4" (235 mm) W x 21-3/4" (553 mm) D x 25-19/32" (508 mm) H	8-1/2" (216 mm)	FHB12	Maple	\$458.05	
Full Access Side and Bottom Mount Base Pullout w/ BLUMOTION Soft-Close							
449-BCSC-7C	Base Organizer	7-1/2" (191 mm) W x 21-3/4" (553 mm) D x 25-1/4" (641 mm) H	7-1/2" (191 mm)	FLFHB9	Maple	\$388.45	
449-BCSC-10C	Base Organizer	10-1/2" (267 mm) W x 21-3/4" (553 mm) D x 25-1/4" (641 mm) H	10-1/2" (267 mm)	FLFHB12	Maple	\$473.55	
Side and Bottom Mount Utensil Base Pullout w/ BLUMOTION Soft-Close							
449UT-BCSC-5C	Utensil Organizer	6-1/4" (159 mm) W x 21-3/4" (553 mm) D x 25-19/32" (508 mm) H	5-1/2" (140 mm)	FHB9	Maple	\$413.10	
449UT-BCSC-8C	Utensil Organizer	9-1/4" (235 mm) W x 21-3/4" (553 mm) D x 25-19/32" (508 mm) H	8-1/2" (216 mm)	FHB12	Maple	\$467.20	
Full Access Side and Bottom Mount Utensil Base Pullout w/ BLUMOTION Soft-Close							
449UT-BCSC-7C	Utensil Organizer	7-1/2" (191 mm) W x 21-3/4" (553 mm) D x 25-1/4" (641 mm) H	7-1/2" (191 mm)	FLFHB9	Maple	\$400.80	
449UT-BCSC-10C	Utensil Organizer	10-1/2" (267 mm) W x 21-3/4" (553 mm) D x 25-1/4" (641 mm) H	10-1/2" (267 mm)	FLFHB12	Maple	\$492.40	
Side and Bottom Mount Knife Block Base Pullout w/ BLUMOTION Soft-Close							
449KB-BCSC-8C	Base Organizer w/ (1) Bin	9-9/32" (236 mm) W x 21-3/4" (553 mm) D x 25-19/32" (650 mm) H	8-1/2" (216 mm)	FHB12	Maple	\$635.10	



- Designed for 9", 12" and 15" face frame base cabinets and 9" and 12" full access base cabinets
- Solid bottom shelves with chrome-plated round wire, gray or natural maple or orion gray flat wire with textured linen finish
- Full-extension, 110 lb. rated slides with BLUMOTION soft-close
- 5322-BCSC-5 mounts to cabinet side wall
- 5322-BCSC-8 and 11 mount to cabinet floor
- Patented door mount brackets (US Patent No. 8,047,621)
- TSCA Title VI compliant

5322-BCSC-9-FOG

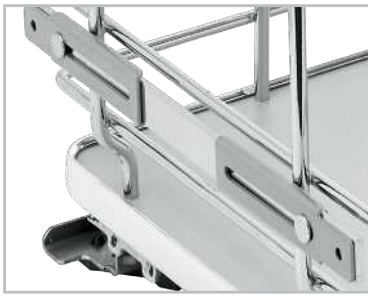


Minimum Cabinet Opening

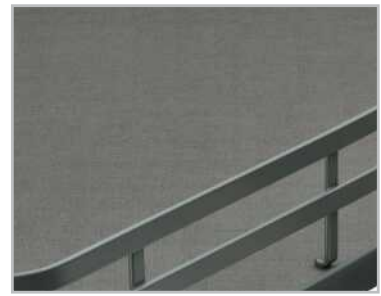
PRODUCT #	MCO FF	MCO FL
5322-BCSC-6-GR	7" (178 mm)	7-1/2" (191 mm)
5322-BCSC-6-MP	7" (178 mm)	7-1/2" (191 mm)
5322-BCSC-9-GR	10" (254 mm)	10-1/2" (268 mm)
5322-BCSC-9-MP	10" (254 mm)	10-1/2" (268 mm)
5322-BCSC-6-FOG	7" (178 mm)	7-1/2" (191 mm)
5322-BCSC-9-FOG	10" (254 mm)	10-1/2" (268 mm)
5322-BCSC-5-GR	6" (152 mm)	6" (152 mm)
5322-BCSC-5-MP	6" (152 mm)	6" (152 mm)
5322-BCSC-8-GR	8-1/2" (216 mm)	9" (229 mm)
5322-BCSC-8-MP	8-1/2" (216 mm)	9" (229 mm)
5322-BCSC-11-GR	11-1/2" (292 mm)	12" (305 mm)
5322-BCSC-11-MP	11-1/2" (292 mm)	12" (305 mm)



For video visit:
rev-a-shelf.com/videos



Features Rev-A-Shelf's patented AMB door mount brackets (US Patent No. 8,047,621)



Solid bottom shelves in maple or gray, with chrome accents or orion gray with flat wire



5322-BCSC-5-MP
Face Frame
Contemporary Base Cabinet Pullout
(5" Maple version shown)
(Side mount only)



5322-BCSC-11-GR
Contemporary Base Cabinet Pullout
w/ Soft-Close
(11" Gray version shown)



5322-BCSC-6-FOG
Contemporary Base Cabinet Pullout
(6" Orion Gray version shown)

Full Access Contemporary Base Cabinet Pullout w/ BLUMOTION Soft-Close

PRODUCT	DESCRIPTION	DIMS	CAB	FINISH	SLP
5322-BCSC-6-GR	Base Organizer	7-1/4" (184 mm) W x 21-11/16" (551 mm) D x 24-1/4" (616 mm) H	FLFHB9	Gray	\$411.35
5322-BCSC-6-MP	Base Organizer	7-1/4" (184 mm) W x 21-11/16" (551 mm) D x 24-1/4" (616 mm) H	FLFHB9	Maple	\$417.25
5322-BCSC-9-GR	Base Organizer	10-1/4" (260 mm) W x 21-11/16" (551 mm) D x 24-1/4" (616 mm) H	FLFHB12	Gray	\$424.80
5322-BCSC-9-MP	Base Organizer	10-1/4" (260 mm) W x 21-11/16" (551 mm) D x 24-1/4" (616 mm) H	FLFHB12	Maple	\$430.30
5322-BCSC-6-FOG	Base Organizer	7-1/4" (184 mm) W x 21-11/16" (551 mm) D x 24-1/4" (616 mm) H	FLFHB9	Orion Gray	\$452.80
5322-BCSC-9-FOG	Base Organizer	10-1/4" (260 mm) W x 21-11/16" (551 mm) D x 24-1/4" (616 mm) H	FLFHB12	Orion Gray	\$461.20

Face Frame Contemporary Base Cabinet Pullout w/ BLUMOTION Soft-Close

5322-BCSC-5-GR	Base Organizer	6" (152 mm) W x 22-1/8" (562 mm) D x 24-1/2" (622 mm) H	FFFHB9	Gray	\$386.30
5322-BCSC-5-MP	Base Organizer	6" (152 mm) W x 22-1/8" (562 mm) D x 24-1/2" (622 mm) H	FFFHB9	Maple	\$392.95
5322-BCSC-8-GR	Base Organizer	8-3/4" (222 mm) W x 21-11/16" (551 mm) D x 24-1/2" (622 mm) H	FFFHB12	Gray	\$456.40
5322-BCSC-8-MP	Base Organizer	8-3/4" (222 mm) W x 21-11/16" (551 mm) D x 24-1/2" (622 mm) H	FFFHB12	Maple	\$463.65
5322-BCSC-11-GR	Base Organizer	11-3/4" (299 mm) W x 21-11/16" (551 mm) D x 24-1/2" (622 mm) H	FFFHB15	Gray	\$480.65
5322-BCSC-11-MP	Base Organizer	11-3/4" (299 mm) W x 21-11/16" (551 mm) D x 24-1/2" (622 mm) H	FFFHB15	Maple	\$485.70



5322KB-BCSC-6-FOG

- Designed for 9" full access cabinets and 12" and 15" full access and face frame base cabinets
- Solid bottom shelves with chrome-plated round wire, gray or natural maple or orion gray flat wire and textured linen finish
- Full-extension, 110 lb. rated slides with BLUMOTION soft-close
- (1) 2 qt. or (2) 2 qt. and (2) 1.25 qt. removable stainless steel bins
- Patented door mount brackets (US Patent No. 8,047,621)
- Knife block features flex rod technology that adjust to securely hold knives
- TSCA Title VI compliant



Minimum Cabinet Opening

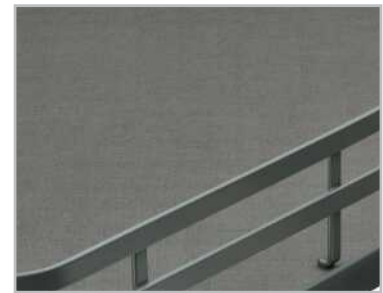
PRODUCT #	MCO FF	MCO FL
5322KB-BCSC-6-GR	7" (178 mm)	7-1/2" (191 mm)
5322KB-BCSC-6-MP	7" (178 mm)	7-1/2" (191 mm)
5322KB-BCSC-9-GR	10" (254 mm)	10-1/2" (267 mm)
5322KB-BCSC-9-MP	10" (254 mm)	10-1/2" (267 mm)
5322KB-BCSC-6-FOG	7" (178 mm)	7-1/2" (191 mm)
5322KB-BCSC-8-GR	8-1/2" (216 mm)	9" (229 mm)
5322KB-BCSC-8-MP	8-1/2" (216 mm)	9" (229 mm)
5322KB-BCSC-11-GR	11-1/2" (292 mm)	12" (305 mm)
5322KB-BCSC-11-MP	11-1/2" (292 mm)	12" (305 mm)



For video visit:
rev-a-shelf.com/videos



Features Rev-A-Shelf's patented AMB door mount brackets (US Patent No. 8,047,621)



Solid bottom shelves in maple or gray, with chrome accents or orion gray with flat wire



5322KB-BCSC-6-MP
Face Frame
Contemporary Base Cabinet Pullout
w/ Knife Block and Utensil Bin
(6" Maple version shown)



5322KB-BCSC-11-GR
Contemporary Base Cabinet Pullout
w/ Knife Block and Utensil Bins
(11" Gray version shown)



5322KB-BCSC-6-FOG
Contemporary Base Cabinet Pullout
w/ Knife Block and Utensil Bin
(6" Orion Gray version shown)

Full Access Contemporary Base Cabinet Pullout w/ BLUMOTION Soft-Close

PRODUCT	DESCRIPTION	DIMS	CAB	FINISH	SLP
5322KB-BCSC-6-GR	Base Organizer w/ (1) Bin	7-1/4" (184 mm) W x 21-11/16" (551 mm) D x 24-1/4" (616 mm) H	FLFHB9	Gray	\$772.10
5322KB-BCSC-6-MP	Base Organizer w/ (1) Bin	7-1/4" (184 mm) W x 21-11/16" (551 mm) D x 24-1/4" (616 mm) H	FLFHB9	Maple	\$777.75
5322KB-BCSC-9-GR	Base Organizer w/ (1) Bin	10-1/4" (260 mm) W x 21-11/16" (551 mm) D x 24-1/4" (616 mm) H	FLFHB12	Gray	\$789.10
5322KB-BCSC-9-MP	Base Organizer w/ (1) Bin	10-1/4" (260 mm) W x 21-11/16" (551 mm) D x 24-1/4" (616 mm) H	FLFHB12	Maple	\$794.60
5322KB-BCSC-6-FOG	Base Organizer w/ (1) Bin	7-1/4" (184 mm) W x 21-11/16" (551 mm) D x 24-1/4" (616 mm) H	FLFHB9	Orion Gray	\$720.35

Face Frame Contemporary Base Cabinet Pullout w/ BLUMOTION Soft-Close

5322KB-BCSC-8-GR	Base Organizer w/ (1) Bin	8-3/4" (222 mm) W x 21-11/16" (551 mm) D x 24-1/4" (616 mm) H	FFFHB12	Gray	\$705.15
5322KB-BCSC-8-MP	Base Organizer w/ (1) Bin	8-3/4" (222 mm) W x 21-11/16" (551 mm) D x 24-1/4" (616 mm) H	FFFHB12	Maple	\$722.10
5322KB-BCSC-11-GR	Base Organizer w/ (4) Bins	11-3/4" (299 mm) W x 21-11/16" (551 mm) D x 24-1/4" (616 mm) H	FFFHB15	Gray	\$774.45
5322KB-BCSC-11-MP	Base Organizer w/ (4) Bins	11-3/4" (299 mm) W x 21-11/16" (551 mm) D x 24-1/4" (616 mm) H	FFFHB15	Maple	\$782.25

Contemporary Base Cabinet Pullout w/ Utensil Bins



- Designed for 12" base cabinets
- Solid bottom shelves with chrome-plated round wire, gray or natural maple or orion gray flat wire and textured linen finish
- Full-extension, 110 lb. rated slides with BLUMOTION soft-close
- (3) 2 qt. or (3) 1.25 qt. removable stainless steel bins
- Patented door mount brackets (US Patent No. 8,047,621)
- TSCA Title VI compliant

5322UT-BCSC-6-FOG



Minimum Cabinet Opening

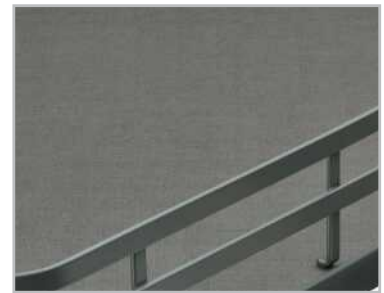
PRODUCT #	MCO FF	MCO FL
5322UT-BCSC-6-GR	7" (178 mm)	7-1/2" (191 mm)
5322UT-BCSC-6-MP	7" (178 mm)	7-1/2" (191 mm)
5322UT-BCSC-6-FOG	7" (178 mm)	7-1/2" (191 mm)
5322UT-BCSC-8-GR	8-1/2" (216 mm)	9" (229 mm)
5322UT-BCSC-8-MP	8-1/2" (216 mm)	9" (229 mm)



For video visit:
rev-a-shelf.com/videos



Features Rev-A-Shelf's patented AMB door mount brackets (US Patent No. 8,047,621)



Solid bottom shelves in maple or gray, with chrome accents or orion gray with flat wire



5322UT-BCSC-8-MP
Face Frame
Contemporary Base Cabinet
Pullout w/ Utensil Bins
(8" Maple version shown)



5322UT-BCSC-8-GR
Contemporary Base Cabinet
Pullout w/ Utensil Bins
(8" Gray version shown)



5322UT-BCSC-6-FOG
Contemporary Base Cabinet
Pullout w/ Utensil Bins
(6" Orion Gray version shown)

Full Access Contemporary Base Cabinet Pullout w/ (3) Utensil Bins and BLUMOTION Soft-Close

PRODUCT	DESCRIPTION	DIMS	CAB	FINISH	SLP
5322UT-BCSC-6-GR	Base Organizer	7-1/4" (184 mm) W x 21-11/16" (551 mm) D x 24-1/4" (616 mm) H	FLFHB9	Gray	\$501.65
5322UT-BCSC-6-MP	Base Organizer	7-1/4" (184 mm) W x 21-11/16" (551 mm) D x 24-1/4" (616 mm) H	FLFHB9	Maple	\$510.35
5322UT-BCSC-6-FOG	Base Organizer	7-1/4" (184 mm) W x 21-11/16" (551 mm) D x 24-1/4" (616 mm) H	FLFHB9	Orion Gray	\$523.70

Face Frame Contemporary Base Cabinet Pullout w/ (3) Utensil Bins and BLUMOTION Soft-Close

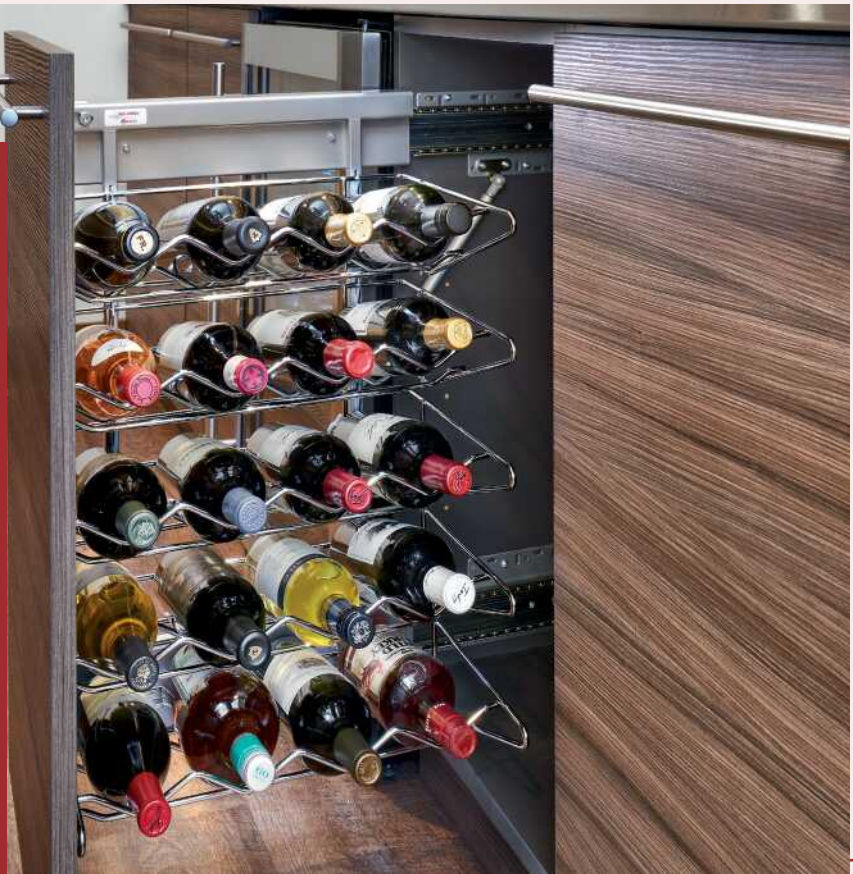
5322UT-BCSC-8-GR	Base Organizer	8-3/4" (222 mm) W x 21-11/16" (551 mm) D x 24-1/4" (616 mm) H	FFFHB12	Gray	\$528.95
5322UT-BCSC-8-MP	Base Organizer	8-3/4" (222 mm) W x 21-11/16" (551 mm) D x 24-1/4" (616 mm) H	FFFHB12	Maple	\$536.35

5375 Series

Wine Base Cabinet Organizer



- Designed for a 15" minimum cabinet opening
- Chrome-plated round wire
- Gas spring assist soft-open/soft-close
- Holds (20) wine bottles, 150 lb. capacity
- Universal for left or right handed cabinets



5375-40WR-1CR



5375-40WR-1CR
Wine Base Cabinet Pullout



Wine Base Organizer w/ Soft-Close

PRODUCT	DESCRIPTION	DIMS	MCO	CAB	FINISH	SLP
5375-40WR-1CR	Wine Base Organizer	14-1/8" (359 mm) W x 17" (432 mm) D x 25-3/4" (654 mm) H	15" (381 mm) - FF 15" (381 mm) - FL	FHB18	Chrome	\$632.90

Chrome Base Pullout

5225 Series



- Designed for 12" base cabinets
- Solid bottom shelves with chrome-plated round wire and Stylinox™ anti-skid, maple
- Full-extension, 250 lb. rated slides with soft-close
- Built-in door mount brackets included
- TSCA Title VI compliant



Chrome Base Pullout w/ (3) Maple Shelves

PRODUCT	DESCRIPTION	DIMS	MCO	CAB	FINISH	SLP
5225-09-MP	Chrome Base Pullout	8-5/8" (219 mm) W x 19-1/2" (495 mm) D x 26-3/4" (680 mm) - 35" (889 mm) H	9" (229 mm)	FHB12	Maple	\$1,063.45



548 Series

- Designed for use in both 12" full height or drawer/door cabinet applications
- (2) adjustable polymer shelves with chrome accents
- Ball-bearing, patented tri-slide system
- Patented door mounting system (US Patent No: 7,204,569)

Chrome Base Pullout w/ (3) Polymer Shelves

PRODUCT	DESCRIPTION	DIMS	MCO	CAB	FINISH	SLP
548-BC-8C	Chrome Base Pullout	7-29/32" (201 mm) W x 22-1/2" (572 mm) D x 19-5/16" (491 mm) H	7-29/32" (201 mm)	B12	Chrome	\$178.65



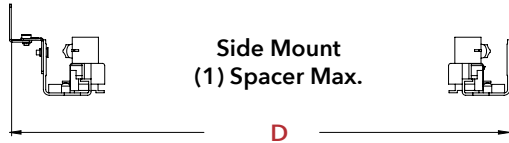
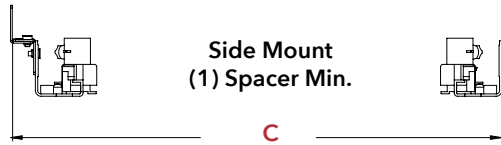
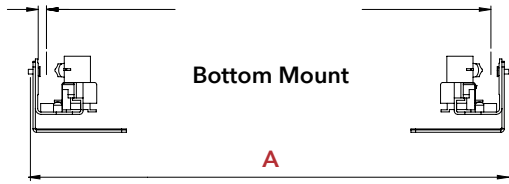
- Designed for 15", 18", 24" and 36" base cabinets
- Chrome-plated round wire
- Full-extension, under mount slides with soft-close
- Adjustable mounting brackets
- Door mount brackets included

5730-21CR

Minimum Cabinet Opening

PRODUCT #	MCO FF	MCO FL
5730-12CR	11-1/2" (292 mm)	11-1/2" (292 mm)
5730-15CR	14-1/2" (368 mm)	14-1/2" (368 mm)
5730-21CR	20-1/2" (521 mm)	20-1/2" (521 mm)
5730-33CR	32-1/2" (826 mm)	32-1/2" (826 mm)

MOUNTING BRACKET OPTIONS



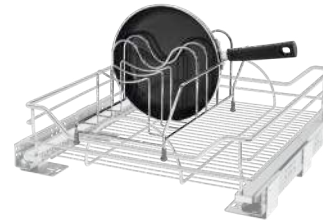
Create a customized space for pots, pans and lids with the new Chrome Wire Drop In Cookware Organizer, compatible with 21" and 33" pullout shelves



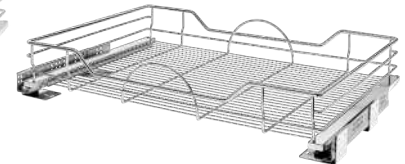
5730-12CR
Pullout Wire Shelf
(12" version shown)



5730-15CR
Pullout Wire Shelf
(15" version shown)



5730-21CR
Pullout Wire Shelf
(21" version shown)



5730-33CR
Pullout Wire Shelf
(33" version shown)

PART	A	B	C	D	E	F
5730-12CR	11-15/16" (303 mm)	11-1/2" (292 mm)	12-5/16" (313 mm)	12-11/16" (322 mm)	13-1/8" (333 mm)	13-7/8" (352 mm)
5730-15CR	14-15/16" (379 mm)	14-1/2" (368 mm)	15-5/16" (389 mm)	15-11/16" (399 mm)	16-1/8" (410 mm)	16-7/8" (429 mm)
5730-21CR	20-15/16" (532 mm)	20-1/2" (521 mm)	21-5/16" (541 mm)	21-11/16" (551 mm)	22-1/8" (562 mm)	22-7/8" (581 mm)
5730-33CR	32-15/16" (837 mm)	32-1/2" (826 mm)	33-5/16" (846 mm)	33-11/16" (856 mm)	34-1/8" (867 mm)	34-7/8" (886 mm)

Pullout Wire Shelf w/ Soft-Close slides

PRODUCT	DESCRIPTION	DIMS	CAB	FINISH	SLP
5730-12CR	Pullout Wire Shelf	11-1/2" (292 mm) W x 21-3/4" (553 mm) D x 5-3/16" (132 mm) H	B15	Chrome	\$222.55
5730-15CR	Pullout Wire Shelf	14-1/2" (368 mm) W x 21-3/4" (553 mm) D x 5-3/16" (132 mm) H	B18	Chrome	\$233.00
5730-21CR	Pullout Wire Shelf	20-1/2" (521 mm) W x 21-3/4" (553 mm) D x 5-3/16" (132 mm) H	B24	Chrome	\$257.10
5730-33CR	Pullout Wire Shelf	32-1/2" (826 mm) W x 21-3/4" (553 mm) D x 5-3/16" (132 mm) H	B36	Chrome	\$282.60

Accessories

5789CR	Drop In Cookware Organizer	14-1/16" (357 mm) W x 9-1/2" (241 mm) D x 7-11/16" (195 mm) H		Chrome	\$40.00
--------	----------------------------	---	--	--------	---------



5330-33BCSC-MP

- Designed for 15", 18", 24" and 36" base cabinets
- Solid bottom shelves with chrome-plated wire, gray or natural maple, or orion gray flat wire with satin solid bottom
- Full-extension slides with BLUMOTION soft-close
- Side and bottom mounting brackets
- Door mounting brackets included
- TSCA Title VI compliant



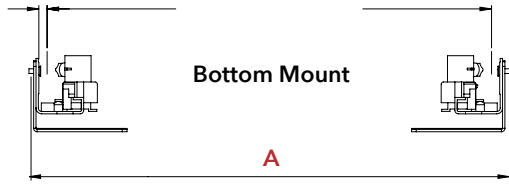
Minimum Cabinet Opening

PRODUCT #	MCO FF	MCO FL
5330-12BCSC-**	11-1/2" (292 mm)	11-1/2" (292 mm)
5330-15BCSC-**	14-1/2" (368 mm)	14-1/2" (368 mm)
5330-21BCSC-**	20-1/2" (521 mm)	20-1/2" (521 mm)
5330-33BCSC-**	32-1/2" (826 mm)	32-1/2" (826 mm)
5330-33BCSCFL-FOG	32-1/2" (826 mm)	32-1/2" (826 mm)

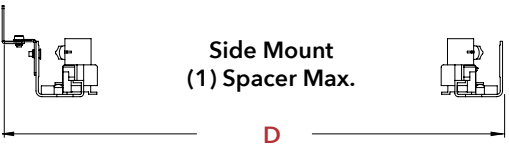
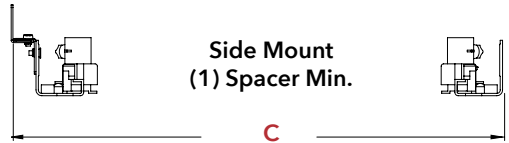


For video visit:
rev-a-shelf.com/videos

MOUNTING BRACKET OPTIONS



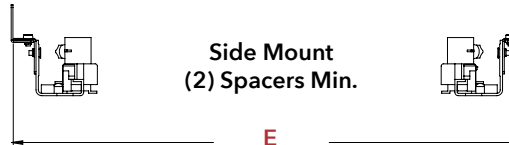
Solid bottom shelves in maple or gray, with chrome accents or orion gray with flat wire



5330-12BCSC-GR
Solid Bottom Shelf
(12" version shown)



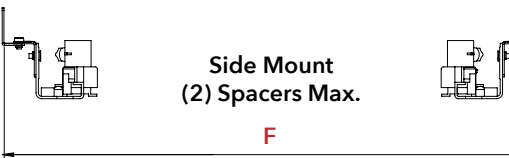
5330-15BCSC-MP
Solid Bottom Shelf
(15" version shown)



5330-21BCSC-MP
Solid Bottom Shelf
(21" version shown)



5330-33BCSCFL-FOG
Solid Bottom Shelf
(33" version shown)



NOTE: ** Insert "MP" for Maple Shelf or "GR" for Gray Shelf

PART	A	B	C	D	E	F
5330-12BCSC-**	12-1/8" (308 mm)	11-11/16" (300 mm)	12-1/2" (318 mm)	12-7/8" (327 mm)	13-5/16" (338 mm)	14-1/16" (357 mm)
5330-15BCSC-**	15-1/8" (384 mm)	14-11/16" (373 mm)	15-1/2" (394 mm)	15-7/8" (403 mm)	16-5/16" (414 mm)	17-1/16" (433 mm)
5330-21BCSC-**	21-1/8" (537 mm)	20-11/16" (526 mm)	21-1/2" (546 mm)	21-7/8" (556 mm)	22-5/16" (567 mm)	23-1/16" (586 mm)
5330-33BCSC-**	33-1/8" (841 mm)	32-11/16" (830 mm)	33-1/2" (851 mm)	33-7/8" (860 mm)	34-5/16" (872 mm)	35-1/16" (891 mm)
5330-33BCSCFL-FOG	33-1/8" (841 mm)	32-11/16" (830 mm)	33-1/2" (851 mm)	33-7/8" (860 mm)	34-5/16" (872 mm)	35-1/16" (891 mm)

Face Frame Solid Bottom Pullout Shelf w/ BLUMOTION Soft-Close

PRODUCT	DESCRIPTION	DIMS	MCO	CAB	FINISH	SLP
5330-12BCSC-**	Solid Bottom Shelf	11-11/16" (300 mm) W x 21-17/32" (547 mm) D x 5-1/16" (129 mm) H	11-11/16" (300 mm)	FFB15	Chrome	\$392.35
5330-15BCSC-**	Solid Bottom Shelf	14-11/16" (373 mm) W x 21-17/32" (547 mm) D x 5-1/16" (129 mm) H	14-11/16" (373 mm)	FFB18	Chrome	\$400.05
5330-21BCSC-**	Solid Bottom Shelf	20-11/16" (526 mm) W x 21-17/32" (547 mm) D x 5-1/16" (129 mm) H	20-11/16" (526 mm)	FFB24	Chrome	\$426.60
5330-33BCSC-**	Solid Bottom Shelf	32-11/16" (830 mm) W x 21-17/32" (547 mm) D x 5-1/16" (129 mm) H	32-11/16" (830 mm)	FFB36	Chrome	\$452.55

Full Access Solid Bottom Pullout Shelf w/ BLUMOTION Soft-Close

5330-33BCSCFL-FOG	Solid Bottom Shelf	32-11/16" (830 mm) W x 21-17/32" (547 mm) D x 5-1/16" (129 mm) H	32-1/2" (826 mm) - FF 32-11/16" (830 mm) - FL	FLB36	Orion Gray	\$477.75
-------------------	--------------------	--	--	-------	------------	----------



ML-WNHDSCOF-18FL

RAS-ML Series

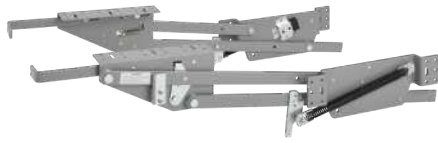
- Fits most cabinet sizes
- Works with your custom shelf
- Mounts to cabinet side (Face frame cabinets require spacers to flush sides to opening)
- Adjustable spring tension
- Available with built-in shock dampeners
- Holds appliances up to 60 lbs.

ML Series

- Silver lift:
 - Designed for 18" full height, face frame base cabinets
 - 1-1/2" thick maple shelf
- Orion gray lift:
 - Designed for 18" full height, full access base cabinets
 - 1-1/2" thick walnut shelf
- Mounts to cabinet side
- Adjustable spring tension
- Built-in shock dampeners
- Holds appliances up to 60 lbs.
- TSCA Title VI compliant



For video visit:
rev-a-shelf.com/videos



RAS-ML-HDCR
Mixer Lift
(Chrome finish shown)



RAS-ML-HDSCOG
Soft-Close Mixer Lift
(Orion gray finish shown)

RECOMMENDED SPRING POSITION FOR VARYING MIXER WEIGHT

- 0-20 lb. = 1
- 20-30 lb. = 2
- 30-60 lb. = 3



Soft-Close piston



Great for a variety of small appliances

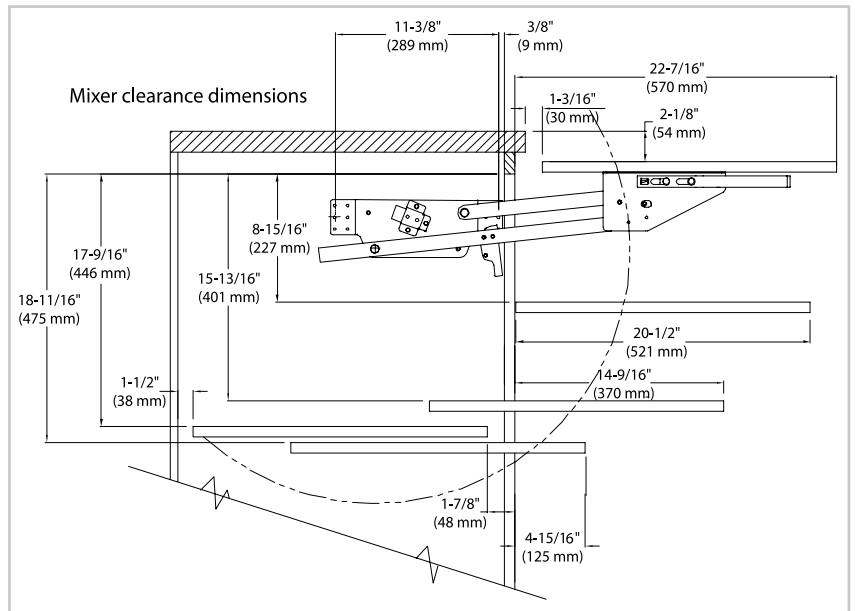
Passe Solutions

SOFT-CLOSE MIXER LIFT KITS W/ SHELF INCLUDED MIXER CLEARING DIMENSIONS

ML-MPHDSCCR-18
Soft-Close Mixer Lift Kit
(Maple/Chrome finish shown)

ML-WNHDSOG-18FL
Soft-Close Mixer Lift Kit
(Walnut/Orion Gray finish shown)

Shelf Dimensions
Maple (face frame): 11-3/4" (298 mm) W x 20" (508 mm) D x 1-3/8" (35 mm) H
Walnut (full access): 13-1/4" (336 mm) W x 20" (508 mm) D x 1-3/8" (35 mm) H
Note: Shelves are only sold in kits with the mixer lift.



NOTE: To determine shelf size measure the distance between mounting plates when installed minus 1-1/4" (32 mm). Recommended length of shelf is 20" (508 mm). Mounting plates are 1" wide.

Heavy Duty Mixer Lift Kit w/ Soft-Close						
PRODUCT	DESCRIPTION	DIMS	MCO	CAB	FINISH	SLP
ML-MPHDSCCR-18	Mixer Lift Kit	See Illustration	15" (381 mm)	FFFH18	Silver/Maple	\$419.50
ML-WNHDSOG-18FL	Mixer Lift Kit	See Illustration	16-1/2" (419 mm)	FLFH18	Orion Gray	\$563.60
Heavy Duty Mixer Lift w/ Soft-Close - Arms Only						
RAS-ML-HDSCOG	Mixer Lift	See Illustration			Orion Gray	\$296.45
RAS-ML-HDSC	Mixer Lift	See Illustration			Silver	\$291.65
Heavy Duty Mixer Lift						
RAS-ML-HDCR	Mixer Lift	See Illustration			Silver	\$168.20



PROP 65 WARNING FOR CALIFORNIA RESIDENTS
WARNING: These products can expose you to chemicals such as formaldehyde, lead or styrene, which are known to the State of California to cause cancer and birth defects or other reproductive harm. For more information go to www.P65Warnings.ca.gov





21/22.

Organizing your pantry is easier than ever with Rev-A-Shelf's innovative line of accessories. Whether you prefer the beautiful look of wood, the luxurious style of chrome, or the more practical polymer, you are sure to find the perfect answer to your walk-in or in-cabinet pantry needs. Designed to increase functionality and enhance the look and performance of your kitchen, our ground-breaking accessories provide easy access and organization for everyday items.

**T
A
S
H**



- Available in (3) widths, 18", 24" or 30"
- Fits 14"+ deep pantry panel systems
- Anodized Chrome Finish
- Full-extension, 75 lb. rated, ball-bearing slides (included)
- BPA-free acrylic container set includes (1) 1.04 qt canister, (1) 1.55 qt canister, (1) 2.07 qt canister
- Container sets w/ (1) small, (1) medium and (1) large bin:
 - 18" - (2) container sets
 - 24" - (3) container sets
 - 30" - (4) container sets
- Installs easily in 32 mm applications
- Additional containers (sold separately)
- 9" Recommended height between organizers, but they may be spaced more closely



5WCOR-24CR-1



5WCOR-18CR-1
Chrome Wire Container Organizer
(18" version shown)



5WCOR-30CR-1
Chrome Wire Container Organizer
(30" version shown)



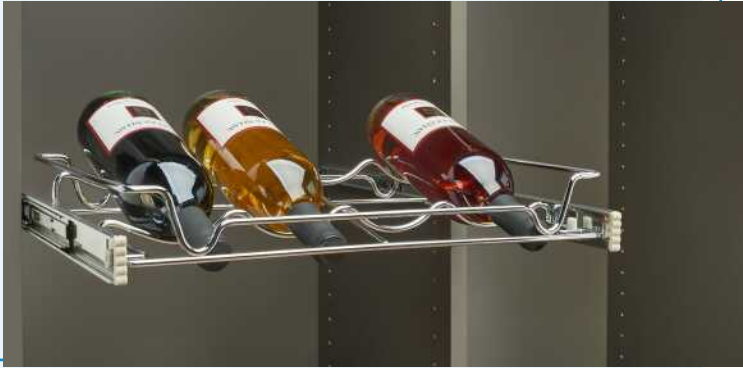
Additional containers (sold separately)

Pantry Container Organizer w/ Containers — w/ Full-Extension, Ball-Bearing Slides

PRODUCT	DESCRIPTION	DIMS	MCO	FINISH	SLP
5WCOR-18CR-1	Pantry Container Organizer w/ (2) Container Sets	18" (457 mm) W x 14" (356 mm) D x 8-11/32" (212 mm) H	18" (457 mm)	Chrome	\$190.95
5WCOR-24CR-1	Pantry Container Organizer w/ (3) Container Sets	24" (610 mm) W x 14" (356 mm) D x 8-11/32" (212 mm) H	24" (610 mm)	Chrome	\$254.05
5WCOR-30CR-1	Pantry Container Organizer w/ (4) Container Sets	30" (762 mm) W x 14" (356 mm) D x 8-11/32" (212 mm) H	30" (762 mm)	Chrome	\$319.85
Containers					
CO-03S-1	Small Container	3-15/16" (100 mm) W x 3-15/16" (100 mm) D x 3-27/32" (98 mm) H			\$19.45
CO-05M-1	Medium Container	3-15/16" (100 mm) W x 3-15/16" (100 mm) D x 5-25/32" (147 mm) H			\$21.60
CO-07L-1	Large Container	3-15/16" (100 mm) W x 3-15/16" (100 mm) D x 7-23/32" (196 mm) H			\$23.05
CO-SET-1	Small, Medium, Large Container Set	3-15/16" (100 mm) W x 3-15/16" (100 mm) D x 7-23/32" (196 mm) H			\$75.10

Wine/Bottle Rack

5WSBR Series



- Available in (3) widths, 18", 24" or 30"
- Fits 14"+ deep cabinetry
- Polished Chrome Finish
- Rack holds items right-reading, angled to face you
- Wine holds up to (7) bottles, 18" (4), 24" (6) and 30" (7)
- Installs easily in 32 mm applications
- Full-extension, 75 lb. rated, ball-bearing slides

Chrome Wine/Bottle Rack Pullout

PRODUCT	DESCRIPTION	DIMS	MCO	CAB	FINISH	SLP
5WBR-18CR-1	18" Wine/Bottle Rack	18" (457 mm) W x 14" (355 mm) D x 2-13/16" (71 mm) H	18" (457 mm)	FL18	Chrome	\$73.65 ea.
5WBR-24CR-1	24" Wine/Bottle Rack	24" (610 mm) W x 14" (355 mm) D x 2-13/16" (71 mm) H	24" (610 mm)	FL24	Chrome	\$85.10 ea.
5WBR-30CR-1	30" Wine/Bottle Rack	30" (762 mm) W x 14" (355 mm) D x 2-13/16" (71 mm) H	30" (762 mm)	FL30	Chrome	\$102.65 ea.

(5) Chrome Wine/Bottle Rack Pullouts (Bulk)

5WBR-18CR-5	18" Wine/Bottle Rack	18" (457 mm) W x 14" (355 mm) D x 2-13/16" (71 mm) H		FL18	Chrome	\$68.30 ea.
5WBR-24CR-5	24" Wine/Bottle Rack	24" (610 mm) W x 14" (355 mm) D x 2-13/16" (71 mm) H		FL24	Chrome	\$76.40 ea.
5WBR-30CR-5	30" Wine/Bottle Rack	30" (762 mm) W x 14" (355 mm) D x 2-13/16" (71 mm) H		FL30	Chrome	\$90.75 ea.

Spice/Can Rack

5WSCR Series



- Available in (3) widths, 18", 24" or 30"
- Fits 14"+ deep cabinetry
- Polished Chrome Finish
- Rack holds items right-reading, angled to face the chef
- Spice/Can holds up to (26) spices or (12) cans, 18" (8), 24" (10) and 30" (12)
- Installs easily in 32 mm applications
- Full-extension, 75 lb. rated, ball-bearing slides

Chrome Spice/Can Rack Pullout

PRODUCT	DESCRIPTION	DIMS	MCO	CAB	FINISH	SLP
5WSCR-18CR-1	18" Spice/Can Rack	18" (457 mm) W x 14" (355 mm) D x 2-13/16" (71 mm) H	18" (457 mm)	FL18	Chrome	\$73.65 ea.
5WSCR-24CR-1	24" Spice/Can Rack	24" (610 mm) W x 14" (355 mm) D x 2-13/16" (71 mm) H	24" (610 mm)	FL24	Chrome	\$92.95 ea.
5WSCR-30CR-1	30" Spice/Can Rack	30" (762 mm) W x 14" (355 mm) D x 2-13/16" (71 mm) H	30" (762 mm)	FL30	Chrome	\$108.30 ea.

(5) Chrome Spice/Can Rack Pullouts (Bulk)

5WSCR-18CR-5	18" Spice/Can Rack	18" (457 mm) W x 14" (355 mm) D x 2-13/16" (71 mm) H		FL18	Chrome	\$70.75 ea.
5WSCR-24CR-5	24" Spice/Can Rack	24" (610 mm) W x 14" (355 mm) D x 2-13/16" (71 mm) H		FL24	Chrome	\$84.10 ea.
5WSCR-30CR-5	30" Spice/Can Rack	30" (762 mm) W x 14" (355 mm) D x 2-13/16" (71 mm) H		FL30	Chrome	\$96.40 ea.



For video visit:
rev-a-shelf.com/videos



(2) 4PIL-21-1
 (3) 4WDB4-PIL-24SC-1
 (2) 4WDB7-24SC-1

- Designed for 18" (14-1/4" minimum cabinet opening) and 24" (20-1/4" minimum cabinet opening) base cabinets
- Double and triple drawer options available
- Tall drawers feature peg board bottoms with (3,4) pegs and (6,8) metal dividers
- BLUMOTION soft-close slides
- Stackable for use in pantry applications
- Easily adjustable drawer height locations for storing tall and short items
- TSCA Title VI compliant

Minimum Cabinet Opening

PRODUCT #	MCO FF	MCO FL
4PIL-18SC-SC-2	14-1/4" (362 mm)	16-1/2" (419 mm)
4PIL-18SC-SV-3	14-1/4" (362 mm)	16-1/2" (419 mm)
4PIL-24SC-SV-2	20-1/4" (514 mm)	22-1/2" (572 mm)
4PIL-24SC-SV-3	20-1/4" (514 mm)	22-1/2" (572 mm)
4PIL-18SC-2	14-1/4" (362 mm)	16-1/2" (419 mm)
4PIL-18SC-3	14-1/4" (362 mm)	16-1/2" (419 mm)
4PIL-24SC-2	20-1/4" (514 mm)	22-1/2" (572 mm)
4PIL-24SC-3	20-1/4" (514 mm)	22-1/2" (572 mm)
4WDB4-PIL-18SC-1	14-1/4" (362 mm)	16-1/2" (419 mm)
4WDB7-PIL-18SC-1	14-1/4" (362 mm)	16-1/2" (419 mm)
4WDB4-PIL-24SC-1	20-1/4" (514 mm)	22-1/2" (572 mm)
4WDB7-PIL-24SC-1	20-1/4" (514 mm)	22-1/2" (572 mm)

NOTE: See page 138 to see the Pilaster System in a base application



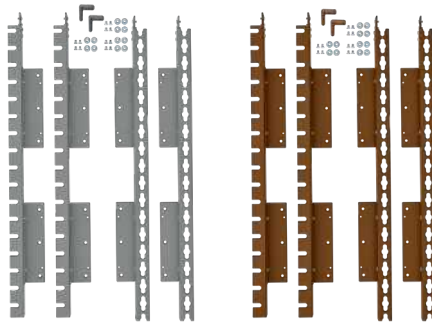
4PIL-18SC-3
Pilaster System Kit
(2) Standard, (1) Tall and brown finish shown



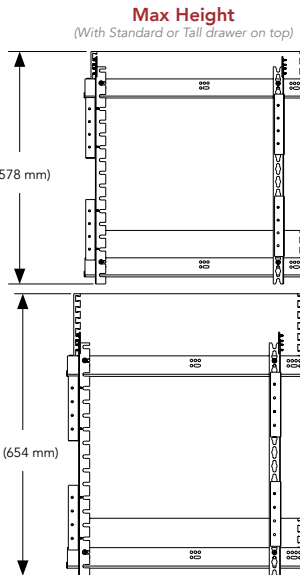
4PIL-24SC-SV-2
Pilaster System Kit
(1) Standard, (1) Tall and silver finish shown



4WDB7-PIL-24SC-1
Tall Drawer w/ Dividers
(24" version shown)



4PIL-21SV-1 & 4PIL-21-1
Pilaster Uprights
(Silver and brown finish shown)



4PIL-BUTTON-1
Pilaster Slide Attachment Buttons



4WDB4-PIL-18SC-1
Standard Drawer
(18" version shown)



*Adjustable +/- 3/8". †Adjustable to 2".

Pilaster System Kits w/ BLUMOTION Soft-Close - Slides and Uprights - Silver

PRODUCT	DESCRIPTION	DIMS	CAB	FINISH	SLP
4PIL-18SC-SV-2	(1) Standard, (1) Tall w/ Dividers	16-1/2" (567 mm) W* x 22-1/16" (560 mm) D x 21-1/4" (540 mm) H	B18	Maple	\$599.70
4PIL-18SC-SV-3	(2) Standard, (1) Tall w/ Dividers	16-1/2" (567 mm) W* x 22-1/16" (560 mm) D x 23-3/4" (603 mm) H	B18	Maple	\$810.25
4PIL-24SC-SV-2	(1) Standard, (1) Tall w/ Dividers	22-1/2" (571 mm) W* x 22-1/16" (560 mm) D x 21-1/4" (540 mm) H	B24	Maple	\$670.35
4PIL-24SC-SV-3	(2) Standard, (1) Tall w/ Dividers	22-1/2" (571 mm) W* x 22-1/16" (560 mm) D x 23-3/4" (603 mm) H	B24	Maple	\$904.95

Pilaster System Kits - w/ BLUMOTION Soft-Close - Slides and Uprights - Brown

4PIL-18SC-2	(1) Standard, (1) Tall w/ Dividers	16-1/2" (567 mm) W* x 22-1/16" (560 mm) D x 21-1/4" (540 mm) H	B18	Maple	\$602.50
4PIL-18SC-3	(2) Standard, (1) Tall w/ Dividers	16-1/2" (567 mm) W* x 22-1/16" (560 mm) D x 23-3/4" (603 mm) H	B18	Maple	\$813.90
4PIL-24SC-2	(1) Standard, (1) Tall w/ Dividers	22-1/2" (571 mm) W* x 22-1/16" (560 mm) D x 21-1/4" (540 mm) H	B24	Maple	\$670.20
4PIL-24SC-3	(2) Standard, (1) Tall w/ Dividers	22-1/2" (571 mm) W* x 22-1/16" (560 mm) D x 23-3/4" (603 mm) H	B24	Maple	\$909.30

Pilaster Kits - Uprights Only

4PIL-21-SV-1	Pilaster Upright Kit	1" (25 mm) W† x 1" (25 mm) D x 21-1/4" (540 mm) H		Silver	\$84.40
4PIL-21-SV-10	(10) Pilaster Upright Kits			Silver	\$63.20 ea.
4PIL-21-1	Pilaster Upright Kit	1" (25 mm) W† x 1" (25 mm) D x 21-1/4" (540 mm) H		Brown	\$84.40
4PIL-21-10	(10) Pilaster Upright Kits			Brown	\$63.20 ea.

Pilaster Buttons

4PIL-BUTTON-1	Pilaster upright button kit for slide attach (1 set of 4 buttons)			Silver	\$6.10
4PIL-BUTTON-12	Pilaster upright buttons for slide attach (12 sets of 4 buttons)			Silver	\$2.45 ea.

Drawer Box w/ BLUMOTION Soft-Close

PRODUCT	DESCRIPTION	DIMS	MCO	BC	FINISH	SLP
4WDB4-PIL-18SC-1	(1) Standard drawer	13-3/8" (339 mm) W x 21" (533 mm) D x 4" (102 mm) H (drawers only)		B18	Maple	\$257.80
4WDB7-PIL-18SC-1	(1) Tall drawer w/ dividers	13-3/8" (340 mm) W x 21" (533 mm) D x 7" (178 mm) H (drawers only)		B18	Maple	\$340.15
4WDB4-PIL-24SC-1	(1) Standard drawer for 24"	19-3/8" (492 mm) W x 21" (533 mm) D x 4" (102 mm) H (drawers only)		B24	Maple	\$285.50
4WDB7-PIL-24SC-1	(1) Tall drawer w/ dividers	19-3/8" (567 mm) W x 21" (533 mm) D x 7" (178 mm) H (drawers only)		B24	Maple	\$385.25



448-TP43-11-1

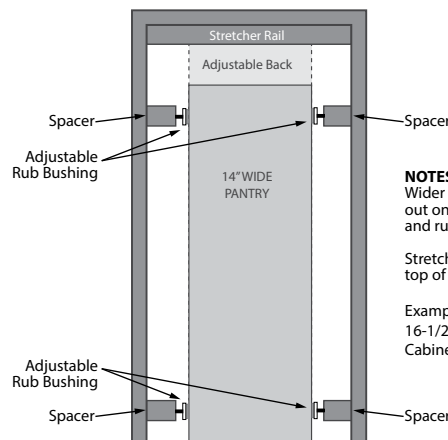
Pantry Features:

- Shipped ready to assemble
- Patented door mount brackets with 5" of adjustability and micro-trim adjuster (US Patent No. 8,388,076)
- Natural maple construction with semi-gloss finish
- Rub bushings included for 1-1/2", 1-5/8", 1-3/4" face frames
- TSCA Title VI compliant

Slide Features:

- 450 lb. rated static
250 lb. recommended use with pantry
- Gas assisted soft-close
- Pull force is equal to opening a high-end refrigerator

448-TP SERIES PULLOUT WOOD PANTRY FULL ACCESS "EURO" CABINET APPLICATION



NOTES:
Wider Cabinet openings must be blocked out on both sides of the pantry and rub bushings must be used.

Stretcher Rail must be installed at the top of the cabinet opening.

Example:
16-1/2" Wide
Cabinet Opening



Horizontal and vertical slide adjustment



Adjustable Shelves



For inset applications or for those who prefer to keep their cabinets flawless, we recommend our IDRB bushing. The discreet design prevents side to side movement and fits behind the frame, eliminating the need for surface drilling giving you a seamless look and unparalleled stability.



448-TP43-5-1
Pullout Pantry
(5" version shown)



448-TP51-8-1
Pullout Pantry
(8" version shown)



448-TP58-11-1
Pullout Pantry
(11" version shown)



448-TP58-14-1
Pullout Pantry
(14" version shown)

5" Wood Pantry Pullout w/ Soft-Close

PRODUCT	DESCRIPTION	DIMS	MCO	CAB	FINISH	SLP
448-TP43-5-1	Wood Pantry Pullout	5" (127 mm) W x 22" (559 mm) D x 43-1/4" – 51-13/16" (1099- 1316 mm) H	5-1/2" (140 mm)	T9	Maple	\$686.00
448-TP51-5-1	Wood Pantry Pullout	5" (127 mm) W x 22" (559 mm) D x 50-3/4" – 59-5/16" (1289- 1507 mm) H	5-1/2" (140 mm)	T9	Maple	\$724.70
448-TP58-5-1	Wood Pantry Pullout	5" (127 mm) W x 22" (559 mm) D x 58-1/4" – 66-13/16" (1480- 1697 mm) H	5-1/2" (140 mm)	T9	Maple	\$757.75

8" Wood Pantry Pullout w/ Soft-Close

448-TP43-8-1	Wood Pantry Pullout	8" (204 mm) W x 22" (559 mm) D x 43-1/4" – 51-13/16" (1099- 1316 mm) H	8-1/2" (216 mm)	T12	Maple	\$724.55
448-TP51-8-1	Wood Pantry Pullout	8" (204 mm) W x 22" (559 mm) D x 50-3/4" – 59-5/16" (1289- 1507 mm) H	8-1/2" (216 mm)	T12	Maple	\$776.50
448-TP58-8-1	Wood Pantry Pullout	8" (204 mm) W x 22" (559 mm) D x 58-1/4" – 66-13/16" (1480- 1697 mm) H	8-1/2" (216 mm)	T12	Maple	\$829.85

11" Wood Pantry Pullout w/ Soft-Close

448-TP43-11-1	Wood Pantry Pullout	11" (280 mm) W x 22" (559 mm) D x 43-1/4" – 51-13/16" (1099- 1316 mm) H	11-1/2" (292 mm)	T15	Maple	\$799.80
448-TP51-11-1	Wood Pantry Pullout	11" (280 mm) W x 22" (559 mm) D x 50-3/4" – 59-5/16" (1289- 1507 mm) H	11-1/2" (292 mm)	T15	Maple	\$864.90
448-TP58-11-1	Wood Pantry Pullout	11" (280 mm) W x 22" (559 mm) D x 58-1/4" – 66-13/16" (1480- 1697 mm) H	11-1/2" (292 mm)	T15	Maple	\$929.00

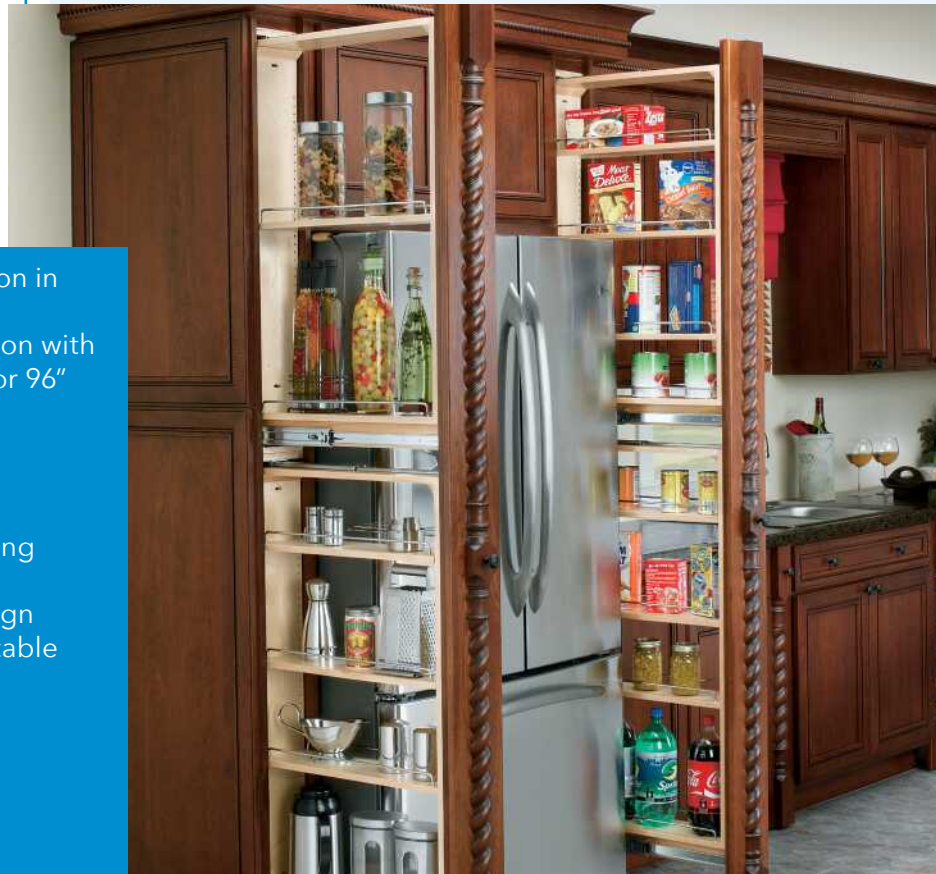
14" Wood Pantry Pullout w/ Soft-Close

448-TP43-14-1	Wood Pantry Pullout	14" (356 mm) W x 22" (559 mm) D x 43-1/4" – 51-13/16" (1099- 1316 mm) H	14-1/2" (368 mm)	T18	Maple	\$875.80
448-TP51-14-1	Wood Pantry Pullout	14" (356 mm) W x 22" (559 mm) D x 50-3/4" – 59-5/16" (1289- 1507 mm) H	14-1/2" (368 mm)	T18	Maple	\$949.45
448-TP58-14-1	Wood Pantry Pullout	14" (356 mm) W x 22" (559 mm) D x 58-1/4" – 66-13/16" (1480- 1697 mm) H	14-1/2" (368 mm)	T18	Maple	\$1,030.80

Accessories

IDRB-1	Adjustable Rub Bushing for Inset Application				Metal	\$13.05
--------	--	--	--	--	-------	---------

- Available for 6" application in 39" and 45" heights
- Use alone or in conjunction with others to reach 84", 90" or 96" heights
- Adjustable shelves:
 - (5) for the 39" model
 - (6) for the 45" model
- Full-extension, ball-bearing slides, 150 lb. rated
- Features three-slide design that provides the most stable function on the market
- TSCA Title VI compliant



432-TF45-6C



432-TF39-6C
Wood Tall Filler Pullout
(39" version shown)



432-TF45-6C
Wood Tall Filler Pullout
(45" version shown)



Included mending plates securely fastens both frames together

Wood Tall Filler Pullout

PRODUCT	DESCRIPTION	DIMS	FINISH	SLP
432-TF39-6C	39" Tall Filler Organizer	6" (153 mm) W x 23" (584 mm) D x 38-1/2" (978 mm) H	Maple	\$427.30
432-TF45-6C	45" Tall Filler Organizer	6" (153 mm) W x 23" (584 mm) D x 44-1/2" (1130 mm) H	Maple	\$460.25

Wood Tall Stainless Filler Pullout

434 Series



- Available for 6" applications in 39" and 45" heights
- Use alone or in conjunction with others to reach 84", 90" or 96" heights
- Features magnetic grade stainless steel panel and chrome accents
- Includes a variety of accessory hooks
- Full-extension, ball-bearing slides, 150 lb. rated
- Features three-slide design that provides the most stable function on the market
- Additional accessory hooks can be purchased separately (pg. 145)
- TSCA Title VI compliant

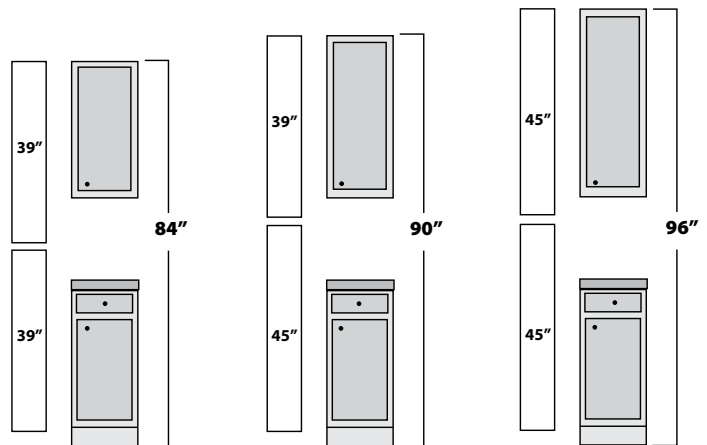
434-TF39-6SS



434-TF39-6SS
Tall Filler - Left Handed
(39" version shown)



434-TF45R-6SS
Tall Filler - Left Handed
(45" version shown)



Different combinations permit use in 30", 36" and 42" wall applications

Wood Tall Stainless Filler Pullout - Left Handed

PRODUCT	DESCRIPTION	DIMS	FINISH	SLP
434-TF39-6SS	39" Tall Filler Organizer	6" (153 mm) W x 23" (584 mm) D x 38-1/2" (978 mm) H	Maple	\$637.25
434-TF45-6SS	45" Tall Filler Organizer	6" (153 mm) W x 23" (584 mm) D x 44-1/2" (1130 mm) H	Maple	\$677.00

Wood Tall Stainless Filler Pullout - Right Handed

434-TF39R-6SS	39" Tall Filler Organizer	6" (153 mm) W x 23" (584 mm) D x 38-1/2" (978 mm) H	Maple	\$636.25
434-TF45R-6SS	45" Tall Filler Organizer	6" (153 mm) W x 23" (584 mm) D x 44-1/2" (1130 mm) H	Maple	\$674.10

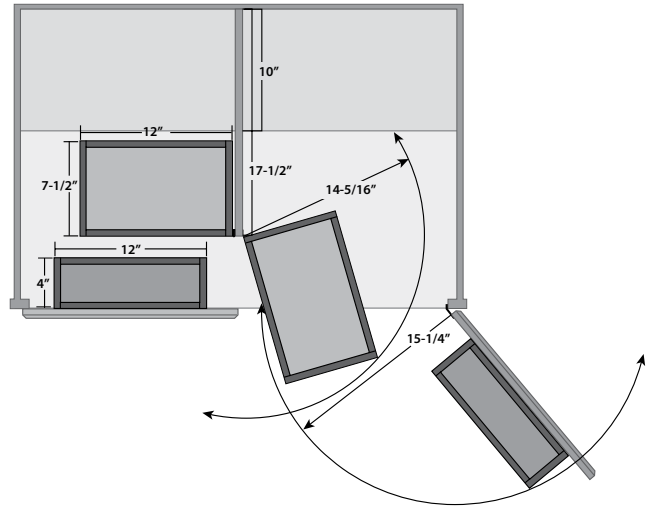


- Designed for 36" pantry cabinets
- Adjustable interior door and pantry shelves
- Adjustable mounting brackets with 5" of adjustability (US Patent No: 7,204,569)
- Removable chrome accents
- Maple construction with semi-gloss finish
- Swings out on an industrial piano hinge
- Complete kit (2) swing out units and (2) door storage units
- Center divider not included
- TSCA Title VI compliant

(4WDP18-45) (4WSP18-45) (4WSP18-45) (4WDP18-45)



4WP18-45-KIT
Wood Swing Out Pantry
(45" version shown)



4WP18-51-KIT
Wood Swing Out Pantry
(51" version shown)



4WP18-57-KIT
Wood Swing Out Pantry
(57" version shown)
Top rails not included

* Top rail not included

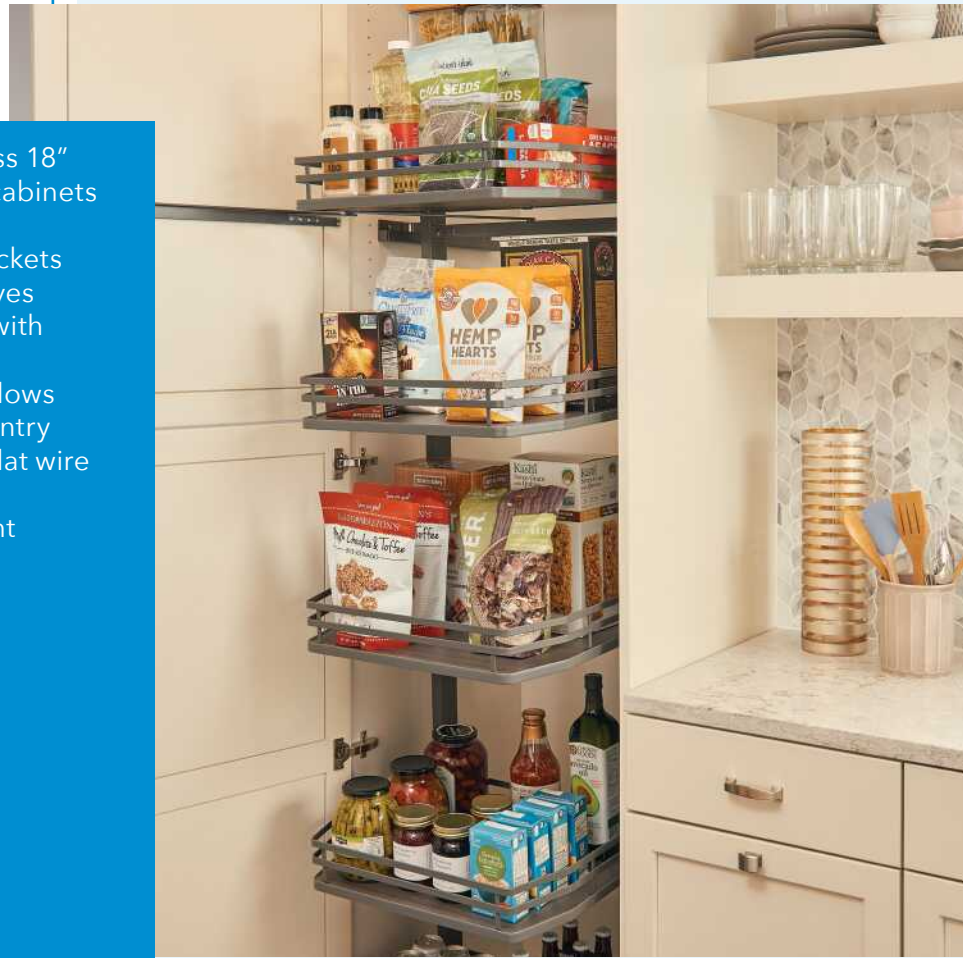
Wood Swing Out Pantry

PRODUCT	DESCRIPTION	DIMS	MCO	CAB	FINISH	SLP
4WP18-45-KIT	45" Swing Out Pantry Kit - Includes (2) 4WDP18-45 and (2) 4WSP18-45		33" (838 mm)	T36	Maple	\$804.15
4WP18-51-KIT	51" Swing Out Pantry Kit - Includes (2) 4WSP18-51 and (2) 4WDP18-51		33" (838 mm)	T36	Maple	\$853.90
4WP18-57-KIT	57" Swing Out Pantry Kit - Includes (2) 4WDP18-57 and (2) 4WSP18-57		33" (838 mm)	T36	Maple	\$898.70

Components

4WSP18-45	45" Swing Out Pantry (w/Hardware)	12" (305 mm) W x 7-1/2" (191 mm) D x 45" (1143 mm) H	33" (838 mm)	T36	Maple	\$240.40
4WDP18-45	45" Pantry Door Unit (w/Hardware)	12" (305 mm) W x 4" (102 mm) D x 45" (1143 mm) H	15-1/4" (387 mm)	T36	Maple	\$177.90
4WSP18-51	51" Swing Out Pantry (w/Hardware)	12" (305 mm) W x 7-1/2" (191 mm) D x 51-1/4" (1302 mm) H	33" (838 mm)	T36	Maple	\$254.75
4WDP18-51	51" Pantry Door Unit (w/Hardware)	12" (305 mm) W x 4" (102 mm) D x 51-1/4" (1302 mm) H	15-1/4" (387 mm)	T36	Maple	\$189.10
4WSP18-57*	57" Swing Out Pantry (w/Hardware)	12" (305 mm) W x 7-1/2" (191 mm) D x 57" (1448 mm) H	33" (838 mm)	T36	Maple	\$263.45
4WDP18-57*	57" Pantry Door Unit (w/Hardware)	12" (305 mm) W x 4" (102 mm) D x 57" (1448 mm) H	15-1/4" (387 mm)	T36	Maple	\$190.80

- Designed for full access 18" and 24" width pantry cabinets
- Overall height 74"
- (2) door mounting brackets
- (5) easy-to-adjust shelves
- Solid bottom shelves with textured linen finish
- Swing out hardware allows complete access to pantry
- Orion gray finish and flat wire construction
- TSCA Title VI compliant



5374-24FL-FOG



5374-18FL-FOG
Swing Out Pantry
(18" version shown)



For video visit:
rev-a-shelf.com/videos



PRODUCT #	MCO FF	MCO FL
5374-18FL-FOG	14-1/4" (362 mm)	16-1/2" (419 mm)
5374-24FL-FOG	22-1/4" (565 mm)	22-1/2" (572 mm)

Full Access Flat Wire Swing Out Pantry

PRODUCT	DESCRIPTION	MCO	CAB	FINISH	SLP
5374-18FL-FOG	Pantry for 18" 14-1/4" (360 mm) W x 18-1/2" (470 mm) D x 74-1/16" (1881 mm) H	16-1/2" (419 mm)	FLT18	Orion Gray	\$1,189.30
5374-24FL-FOG	Pantry for 24" 22-1/16" (560 mm) W x 18-1/2" (470 mm) D x 74-1/16" (1881 mm) H	22-1/2" (571 mm)	FLT24	Orion Gray	\$1,240.35

Solid Bottom Pantry Pullout

5200 Series



- Available in (2) heights and (2) widths
- Solid bottom shelves with chrome-plated round wire and Stylinox™ anti-skid, natural maple
- Full-extension slides with soft-close, 250 lb. rated
- Built-in door mount brackets
- TSCA Title VI compliant

5273-14-MP

Tall
Solutions



Pantry Pullout w/ Soft-Close — (5) Shelves (3) Door Mount Brackets

PRODUCT	DESCRIPTION		MCO	CAB	FINISH	SLP
5258-09-MP	Pantry Pullout	8-5/8" (219 mm) W x 20" (508 mm) D x 59-1/2" – 66-7/8" (1510 - 1700 mm) H	9" (229 mm)	T12	Maple	\$1,408.55
5258-14-MP	Pantry Pullout	14-1/2" (369 mm) W x 20" (508 mm) D x 59-1/2" – 66-7/8" (1510 - 1700 mm) H	15" (381 mm)	T18	Maple	\$1,499.30

Pantry Pullout w/ Soft-Close — (6) Shelves (4) Door Mount Brackets

5273-09-MP	Pantry Pullout	8-5/8" (219 mm) W x 20" (508 mm) D x 74-7/8" – 81-7/8" (1900 - 2080 mm) H	9" (229 mm)	T12	Maple	\$1,642.40
5273-14-MP	Pantry Pullout	14-1/2" (369 mm) W x 20" (508 mm) D x 74-7/8" – 81-7/8" (1900 - 2080 mm) H	15" (381 mm)	T18	Maple	\$1,838.90



5373-13-MP

- Available in (5) widths and (4) height ranges for full access 24" deep cabinetry
- Natural maple or gray solid bottom shelves
- Full-extension slides with soft-close, 250 lb. rated
- Micro-adjustment door mounting brackets
- Kit packaged with frame, baskets and hardware
- TSCA Title VI compliant

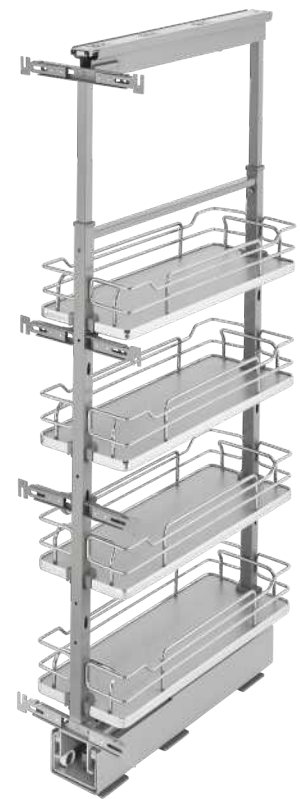
BASKET WIDTH
8" (203 mm)
10" (254 mm)
13" (330 mm)
16" (406 mm)
19" (482 mm)



Adjustable door mount bracket



Solid bottom shelves available in maple or gray



5343-08-GR
Pullout Pantry
(8" gray version shown)

With the adjustable shelf extender bracket you can move the top shelf on our 5300 Series pantries with ease. The slide-on design installs effortlessly when affixing to the fully extended frame letting you rearrange your shelves and maximize your storage space.



NOTE: ** Insert "MP" for Maple Shelf or "GR" for Gray Shelf

Solid Bottom Pantry Pullout w/ Soft-Close — (4) Shelves/ (2) Door Mount Brackets						
PRODUCT	DESCRIPTION	DIMS	MCO	CAB	SLP	
5343-08-**	Pantry Pullout	8-1/4" (210 mm) W x 21-11/16" (550 mm) D x 43-13/32" – 50-3/4" (1102 mm - 1289 mm) H	8-1/2" (216 mm)	T12		\$1,098.40
5343-10-**	Pantry Pullout	10-1/4" (260 mm) W x 21-11/16" (550 mm) D x 43-13/32" – 50-3/4" (1102 mm - 1289 mm) H	10-1/2" (267 mm)	FLT12		\$1,133.75
5343-13-**	Pantry Pullout	13-1/4" (337 mm) W x 21-11/16" (550 mm) D x 43-13/32" – 50-3/4" (1102 mm - 1289 mm) H	13-1/2" (343 mm)	FLT15		\$1,143.35
5343-16-**	Pantry Pullout	16-1/4" (413 mm) W x 21-11/16" (550 mm) D x 43-13/32" – 50-3/4" (1102 mm - 1289 mm) H	16-1/2" (419 mm)	FLT18		\$1,235.40
5343-19-**	Pantry Pullout	19-1/4" (489 mm) W x 21-11/16" (550 mm) D x 43-13/32" – 50-3/4" (1102 mm - 1289 mm) H	19-1/2" (495 mm)	FLT21		\$1,249.15
5350-08-**	Pantry Pullout	8-1/4" (210 mm) W x 21-11/16" (550 mm) D x 50-3/4" – 58-9/32" (1289 mm - 1480 mm) H	8-1/2" (216 mm)	T12		\$1,083.90
5350-10-**	Pantry Pullout	10-1/4" (260 mm) W x 21-11/16" (550 mm) D x 50-3/4" – 58-9/32" (1289 mm - 1480 mm) H	10-1/2" (267 mm)	FLT12		\$1,118.65
5350-13-**	Pantry Pullout	13-1/4" (337 mm) W x 21-11/16" (550 mm) D x 50-3/4" – 58-9/32" (1289 mm - 1480 mm) H	13-1/2" (343 mm)	FLT15		\$1,127.95
5350-16-**	Pantry Pullout	16-1/4" (413 mm) W x 21-11/16" (550 mm) D x 50-3/4" – 58-9/32" (1289 mm - 1480 mm) H	16-1/2" (419 mm)	FLT18		\$1,218.30
5350-19-**	Pantry Pullout	19-1/4" (489 mm) W x 21-11/16" (550 mm) D x 50-3/4" – 58-9/32" (1289 mm - 1480 mm) H	19-1/2" (495 mm)	FLT21		\$1,231.90
Solid Bottom Pantry Pullout w/ Soft-Close — (5) Shelves/ (3) Door Mount Brackets						
5358-08-**	Pantry Pullout	8-1/4" (210 mm) W x 21-11/16" (550 mm) D x 58-1/4" – 65-3/4" (1479 mm - 1670 mm) H	8-1/2" (216 mm)	T12		\$1,203.95
5358-10-**	Pantry Pullout	10-1/4" (260 mm) W x 21-11/16" (550 mm) D x 58-1/4" – 65-3/4" (1479 mm - 1670 mm) H	10-1/2" (267 mm)	FLT12		\$1,246.85
5358-13-**	Pantry Pullout	13-1/4" (337 mm) W x 21-11/16" (550 mm) D x 58-1/4" – 65-3/4" (1479 mm - 1670 mm) H	13-1/2" (343 mm)	FLT15		\$1,258.00
5358-16-**	Pantry Pullout	16-1/4" (413 mm) W x 21-11/16" (550 mm) D x 58-1/4" – 65-3/4" (1479 mm - 1670 mm) H	16-1/2" (419 mm)	FLT18		\$1,370.10
5358-19-**	Pantry Pullout	19-1/4" (489 mm) W x 21-11/16" (550 mm) D x 58-1/4" – 65-3/4" (1479 mm - 1670 mm) H	19-1/2" (495 mm)	FLT21		\$1,386.20
Solid Bottom Pantry Pullout w/ Soft-Close — (6) Shelves/ (4) Door Mount Brackets						
5373-08-**	Pantry Pullout	8-1/4" (210 mm) W x 21-11/16" (550 mm) D x 73-5/8" – 80-3/4" (1870 mm - 2051 mm) H	8-1/2" (216 mm)	T12		\$1,360.40
5373-10-**	Pantry Pullout	10-1/4" (260 mm) W x 21-11/16" (550 mm) D x 73-5/8" – 80-3/4" (1870 mm - 2051 mm) H	10-1/2" (267 mm)	FLT12		\$1,413.00
5373-13-**	Pantry Pullout	13-1/4" (337 mm) W x 21-11/16" (550 mm) D x 73-5/8" – 80-3/4" (1870 mm - 2051 mm) H	13-1/2" (343 mm)	FLT15		\$1,428.10
5373-16-**	Pantry Pullout	16-1/4" (413 mm) W x 21-11/16" (550 mm) D x 73-5/8" – 80-3/4" (1870 mm - 2051 mm) H	16-1/2" (419 mm)	FLT18		\$1,564.85
5373-19-**	Pantry Pullout	19-1/4" (489 mm) W x 21-11/16" (550 mm) D x 73-5/8" – 80-3/4" (1870 mm - 2051 mm) H	19-1/2" (495 mm)	FLT21		\$1,587.15
Accessories						
57-EXTEND-1	Extender Bracket	1-1/8" (28 mm) W x 1-1/8" (28 mm) D x 8" (203 mm) H				\$22.05



- Available in (6) widths and (4) height ranges for 24" deep cabinetry
- Full-extension, 250 lb. rated slides with soft-close
- Adjustable door mount brackets
- Kit packaged with frame, baskets and hardware

5743-20-CR

BASKET WIDTH
4-1/8" (105 mm)
8" (203 mm)
10" (254 mm)
14" (356 mm)
16" (406 mm)
19" (482 mm)



Adjustable door mount bracket



Height frame adjustment

With the adjustable shelf extender bracket you can move the top shelf on our 5300 Series pantries with ease. The slide-on design installs effortlessly when affixing to the fully extended frame letting you rearrange your shelves and maximize your storage space.



5773-10-CR-1
Pullout Pantry
(10" version shown)

Wire Pantry Pullout w/ Soft-Close — (4) Shelves/ (3) Door Mount Brackets

PRODUCT	DESCRIPTION	DIMS	MCO	CAB	SLP
5743-04-CR-1	Pantry Pullout	4-1/2" (105 mm) W x 21-11/16" (550 mm) D x 43-13/32" – 50-3/4" (1102 mm - 1289 mm) H	4-1/2" (114 mm)	T9	\$887.85
5743-08-CR-1	Pantry Pullout	8-1/4" (210 mm) W x 21-11/16" (550 mm) D x 43-13/32" – 50-3/4" (1102 mm - 1289 mm) H	8-1/2" (216 mm)	T12	\$966.85
5743-10-CR-1	Pantry Pullout	10-1/4" (260 mm) W x 21-11/16" (550 mm) D x 43-13/32" – 50-3/4" (1102 mm - 1289 mm) H	10-1/2" (268 mm)	T15	\$1,006.15
5743-14-CR-1	Pantry Pullout	14-1/4" (362 mm) W x 21-11/16" (550 mm) D x 43-13/32" – 50-3/4" (1102 mm - 1289 mm) H	14-7/8" (378 mm)	T18	\$1,034.15
5743-16-CR-1	Pantry Pullout	16-1/4" (413 mm) W x 21-11/16" (550 mm) D x 43-13/32" – 50-3/4" (1102 mm - 1289 mm) H	16-1/2" (419 mm)	T21	\$1,074.45
5743-20-CR-1	Pantry Pullout	20-11/16" (550 mm) W x 21-11/16" (550 mm) D x 43-13/32" – 50-3/4" (1102 mm - 1289 mm) H	20-1/2" (521 mm)	T24	\$1,118.65
5750-04-CR-1	Pantry Pullout	4-1/2" (105 mm) W x 21-11/16" (550 mm) D x 50-3/4" – 58-9/32" (1289 mm - 1480 mm) H	4-1/2" (114 mm)	T9	\$895.10
5750-08-CR-1	Pantry Pullout	8-1/4" (210 mm) W x 21-11/16" (550 mm) D x 50-3/4" – 58-9/32" (1289 mm - 1480 mm) H	8-1/2" (216 mm)	T12	\$980.90
5750-10-CR-1	Pantry Pullout	10-1/4" (260 mm) W x 21-11/16" (550 mm) D x 50-3/4" – 58-9/32" (1289 mm - 1480 mm) H	10-1/2" (268 mm)	T15	\$1,016.60
5750-14-CR-1	Pantry Pullout	14-1/4" (362 mm) W x 21-11/16" (550 mm) D x 50-3/4" – 58-9/32" (1289 mm - 1480 mm) H	14-7/8" (378 mm)	T18	\$1,048.50
5750-16-CR-1	Pantry Pullout	16-1/4" (413 mm) W x 21-11/16" (550 mm) D x 50-3/4" – 58-9/32" (1289 mm - 1480 mm) H	16-1/2" (419 mm)	T21	\$1,083.00
5750-20-CR-1	Pantry Pullout	20-11/16" (550 mm) W x 21-11/16" (550 mm) D x 50-3/4" – 58-9/32" (1289 mm - 1480 mm) H	20-1/2" (521 mm)	T24	\$1,126.20

Wire Pantry Pullout w/ Soft-Close — (5) Shelves/ (4) Door Mount Brackets

5758-04-CR-1	Pantry Pullout	4-1/2" (105 mm) W x 21-11/16" (550 mm) D x 58-1/4" – 65-3/4" (1479 mm - 1670 mm) H	4-1/2" (114 mm)	T9	\$958.90
5758-08-CR-1	Pantry Pullout	8-1/4" (210 mm) W x 21-11/16" (550 mm) D x 58-1/4" – 65-3/4" (1479 mm - 1670 mm) H	8-1/2" (216 mm)	T12	\$1,087.65
5758-10-CR-1	Pantry Pullout	10-1/4" (260 mm) W x 21-11/16" (550 mm) D x 58-1/4" – 65-3/4" (1479 mm - 1670 mm) H	10-1/2" (268 mm)	T15	\$1,126.50
5758-14-CR-1	Pantry Pullout	14-1/4" (362 mm) W x 21-11/16" (550 mm) D x 58-1/4" – 65-3/4" (1479 mm - 1670 mm) H	14-7/8" (378 mm)	T18	\$1,172.90
5758-16-CR-1	Pantry Pullout	16-1/4" (413 mm) W x 21-11/16" (550 mm) D x 58-1/4" – 65-3/4" (1479 mm - 1670 mm) H	16-1/2" (419 mm)	T21	\$1,214.95
5758-20-CR-1	Pantry Pullout	20-11/16" (550 mm) W x 21-11/16" (550 mm) D x 58-1/4" – 64-3/4" (1479 mm - 1670 mm) H	20-1/2" (521 mm)	T24	\$1,272.65

Wire Pantry Pullout w/ Soft-Close — (6) Shelves/ (4) Door Mount Brackets

5773-04-CR-1	Pantry Pullout	4-1/2" (105 mm) W x 21-11/16" (550 mm) D x 73-5/8" – 80-3/4" (1870 mm - 2051 mm) H	4-1/2" (114 mm)	T9	\$1,021.25
5773-08-CR-1	Pantry Pullout	8-1/4" (210 mm) W x 21-11/16" (550 mm) D x 73-5/8" – 80-3/4" (1870 mm - 2051 mm) H	8-1/2" (216 mm)	T12	\$1,179.30
5773-10-CR-1	Pantry Pullout	10-1/4" (260 mm) W x 21-11/16" (550 mm) D x 73-5/8" – 80-3/4" (1870 mm - 2051 mm) H	10-1/2" (268 mm)	T15	\$1,207.55
5773-14-CR-1	Pantry Pullout	14-1/4" (362 mm) W x 21-11/16" (550 mm) D x 73-5/8" – 80-3/4" (1870 mm - 2051 mm) H	14-7/8" (378 mm)	T18	\$1,278.75
5773-16-CR-1	Pantry Pullout	16-1/4" (413 mm) W x 21-11/16" (550 mm) D x 73-5/8" – 80-3/4" (1870 mm - 2051 mm) H	16-1/2" (419 mm)	T21	\$1,310.95
5773-20-CR-1	Pantry Pullout	20-11/16" (550 mm) W x 21-11/16" (550 mm) D x 73-5/8" – 80-3/4" (1870 mm - 2051 mm) H	20-1/2" (521 mm)	T24	\$1,378.10

Accessories

57-EXTEND-1	Extender Bracket	1-1/8" (28 mm) W x 1-1/8" (28 mm) D x 8" (203 mm) H			\$22.05
-------------	------------------	---	--	--	---------

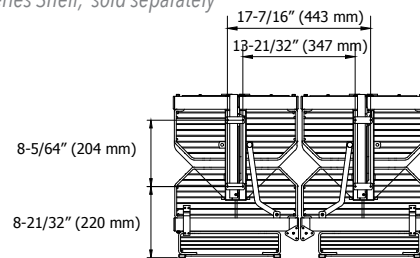
- Designed for 36" pantry applications
- (20) large interior chrome shelves
- (10) door mount shelves
- Adjustable door mount brackets
- Pivot sliding hardware allows full access to the back shelves

Tall Solutions



Pictured with our 5330 Series Shelf, sold separately

5374-24FL-FOG



Chef's Roll-Out Pantry w/ Door Storage

PRODUCT	DESCRIPTION	DIMS	MCO	CAB	FINISH	SLP
5722-36CR	Chef's Roll-Out Pantry	30-3/4" (780 mm) W x 19-7/8" (504 mm) D x 49-1/4" - 52-1/4" (1251-1315 mm) H	33" (838 mm)	T36	Silver	\$1,781.60

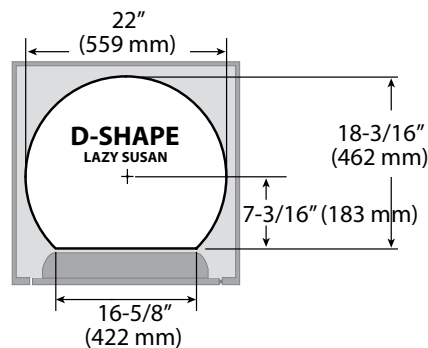


- Designed for pantry/tall cabinet applications
- (5) wood D-Shaped shelves
- Natural maple construction with semi-gloss finish
- 5/8" thick high density multi-ply shelf
- 1" high solid wood rim
- Independent rotating hardware, chrome
- 56" - 62" telescoping post
- Mounts to cabinet ceiling and floor
- TSCA Title VI compliant

Storage Trays (sold separately)

- Available in 20" width trays
- Natural maple construction with semi-gloss finish and chrome accents
- Install on 26" or 58" standard with clips (sold separately)
- Mounts to cabinet door
- TSCA Title VI compliant

5273-14-MP



(5) Shelf Wood D-Shaped Pantry Set

PRODUCT	DESCRIPTION	DIMS	CAB	FINISH	SLP
4265-22-52	D-Shape Set	22" (559 mm) Diameter	T24	Maple	\$775.90

(5) Wood Door Storage Tray w/ Screw in Clips

4235-20-5	20" Door Storage Tray	19-3/4" (502 mm) W x 4-1/4" (108 mm) D x 3-5/8" (91 mm) H	T24	Maple	\$33.80 ea.
-----------	-----------------------	---	-----	-------	-------------

Standards w/ Clips

6232-58-4528-52	Standards w/ (10) Clips	58" (1473 mm) L		Aluminum	\$81.05
-----------------	-------------------------	-----------------	--	----------	---------

- Designed for pantry/tall cabinet applications
- (5) D-Shaped polystyrene shelves, almond or white
- Independent rotating hardware, chrome
- 56" - 62" telescoping post
- Mounts to cabinet ceiling and floor

Storage Trays (sold separately)

- (5) 20" polystyrene shelves, almond or white
- Install on 58" standards with clips (sold separately)
- Mounts to cabinet door



6265-22-11-52 & 6235-20-11-52

NOTE: ** Insert "11" for White finish or "15" for Almond finish

(5) Shelf Polymer D-Shaped Lazy Susan

PRODUCT	DESCRIPTION		FINISH	SLP
6265-22-**-52	(5) Shelf D-Shape Set	22" (560 mm) Diameter	Polymer	\$357.25
6235-20-**-52	(5) Door Storage Trays	19-3/4" (502 mm) W x 4-1/4" (110 mm) D x 3-9/16" (95 mm) H	Polymer	\$74.55

(2) Standards w/ Clips

6232-58-4528-52	Standards w/ (10) Clips	58" (1473 mm) L	Aluminum	\$81.05
-----------------	-------------------------	-----------------	----------	---------



6065-18-11-52 & 6235-14-11-52

- Designed for pantry/tall cabinet applications
- (5) Full Circle polystyrene shelves, almond or white
- Independent rotating hardware, chrome
- 56" - 62" telescoping post
- Mounts to cabinet ceiling and floor

Storage Trays (sold separately)

- (5) 20" polystyrene trays, almond or white
- Available in 8" and 14" width trays
- Install on 58" standards with clips (sold separately)
- Mounts to cabinet door

NOTE: ** Insert "11" for White finish or "15" for Almond finish

(5) Shelf Polymer Round Lazy Susan

PRODUCT	DESCRIPTION	DIMS	CAB	FINISH	SLP
6065-16-**-52	Full-Circle Set	16" (410 mm) Diameter	T18	Polymer	\$354.30
6065-18-**-52	Full-Circle Set	18" (457 mm) Diameter	T21	Polymer	\$387.85

(5) Polymer Door Storage Tray w/ Screw in Clips

6235-14-**-52	Door Storage Trays	13-3/4" (350 mm) W x 4-1/4" (110 mm) D x 3-9/16" (95 mm) H	T18	Polymer	\$61.65
---------------	--------------------	--	-----	---------	---------

(2) Standards w/ Clips

6232-26-4528-52	Standards w/ (10) Clips	58" (1473 mm) L		Aluminum	\$52.90
-----------------	-------------------------	-----------------	--	----------	---------

- Designed for pantry/tall cabinet applications
- (5) D-Shaped or Kidney-Shaped polystyrene shelves, almond or white
- Available in 18", 20" or 24" diameters
- (5) shelf post (sold separately)
- Mounts to cabinet ceiling and floor

6221/6421 (sold separately)

- D-Shaped or Kidney-Shaped polystyrene shelf, almond or white
- Available in 18", 20" or 24" diameters
- Independent rotating hardware, chrome
- Mounts to cabinet floor



6221
D-Shaped Lazy Susan



6421
Kidney Shaped Lazy Susan
(24" version shown)

CONTAINS: (5) shelves w/ (5) position base assemblies, mounting flange, jack screw and 9-1/4" upper shaft assembly. (70-1/2" lower shaft sold separately)

NOTE: ** Insert "11" for White finish or "15" for Almond finish

(5) Shelf Walk-In Pantry Cabinet Lazy Susan - No Post

PRODUCT	DESCRIPTION		FINISH	SLP
6265-20-**-50	D-Shaped Lazy Susan	20" (508 mm) Diameter	Polymer	\$318.10
6465-18-**-50	Kidney Shaped Lazy Susan	18" (457 mm) Diameter	Polymer	\$286.50
6465-24-**-50	Kidney Shaped Lazy Susan	24" (609 mm) Diameter	Polymer	\$315.10

Post

6370-96-7008-26-52	Shaft w/ Bushing	70-1/2" (1791 mm) L	Chrome	\$61.90
--------------------	------------------	---------------------	--------	---------

Polymer Walk-In Cabinet Lazy Susan w/ Hardware

6221-20-**-52	D-Shaped Lazy Susan	20" (508 mm) Diameter	Polymer	\$60.45
6421-18-**-52	Kidney Shaped Lazy Susan	18" (457 mm) Diameter	Polymer	\$53.05
6421-24-**-52	Kidney Shaped Lazy Susan	24" (609 mm) Diameter	Polymer	\$56.70

Wood Walk-in Pantry Cabinet Lazy Susan

Wood Series



- Designed for pantry/tall cabinet applications
- (5) wood D-Shaped or Kidney-Shaped shelves
- Natural maple construction with semi-gloss finish
- (5) shelf post (sold separately)
- Mounts to cabinet ceiling and floor
- TSCA Title VI compliant

4WLS221/4WLS421 (sold separately)

- (1) wood D-Shaped or Kidney-Shaped shelf
- Natural maple construction with semi-gloss finish
- Available in 20" or 24" diameters
- Independent rotating hardware, chrome
- Mounts to cabinet floor
- TSCA Title VI compliant

Tall
Solutions



4WLS421-24
Kidney Shaped Lazy Susan



4WLS221-20
D-Shaped Lazy Susan

CONTAINS: (5) shelves w/ (5) position base assemblies, mounting flange, jack screw and 9-1/4" upper shaft assembly. (70-1/2" lower shaft sold separately)

(5) Shelf Wood Walk-In Pantry Lazy Susan

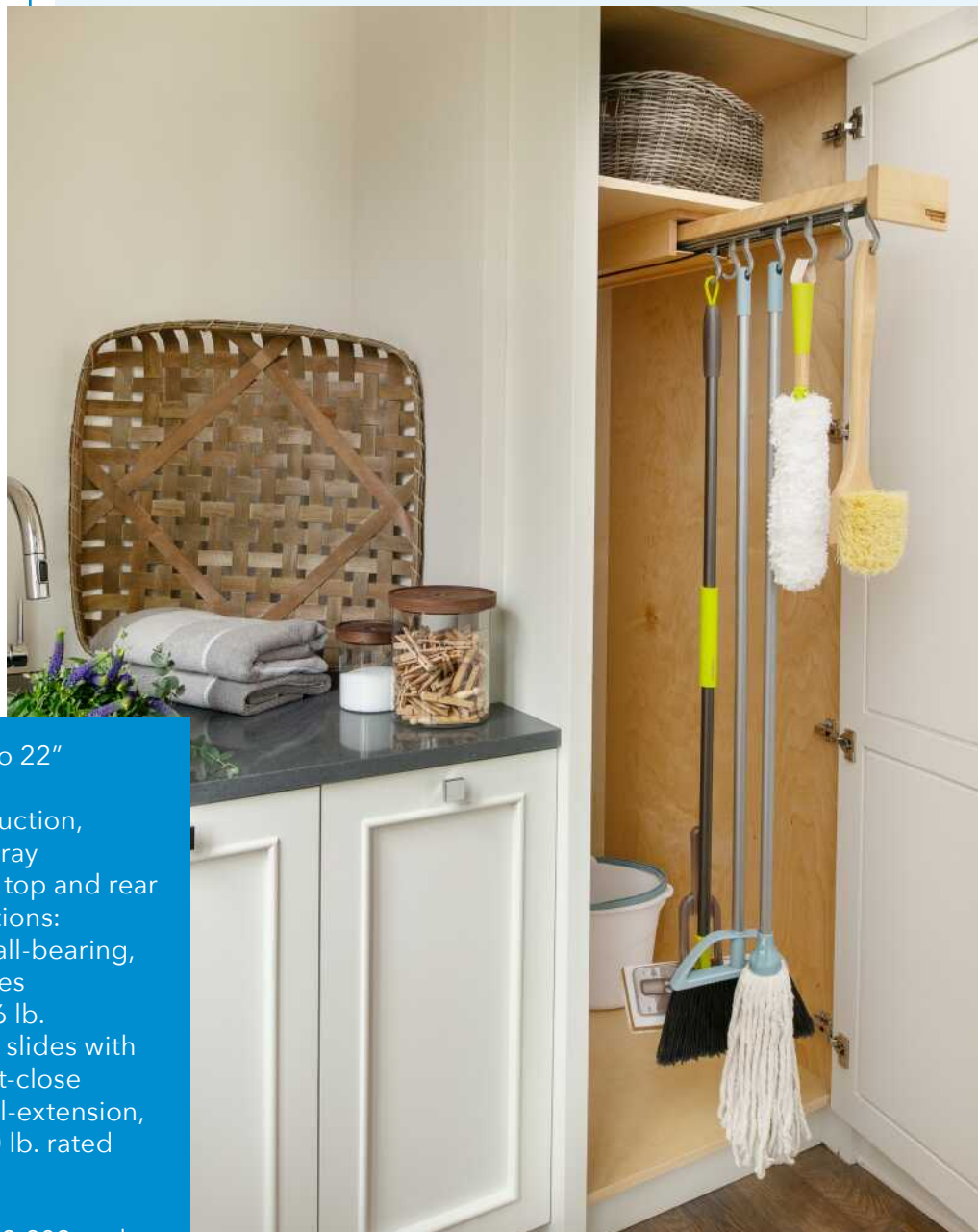
PRODUCT	DESCRIPTION	DIMS	FINISH	SLP
4265-20-50	D-Shaped Lazy Susan	20" (508 mm) Diameter	Maple	\$717.45
4465-24-50	Kidney Shaped Lazy Susan	24" (609 mm) Diameter	Maple	\$784.00

Post

6370-96-7008-26-52	Post w/ Bushing	70-1/2" (1791 mm) L	Chrome	\$61.90
--------------------	-----------------	---------------------	--------	---------

Maple Walk-In Pantry Cabinet Lazy Susan w/ Hardware

4WLS221-20-52	D-Shaped Lazy Susan	20" (508 mm) Diameter	Maple	\$104.70
4WLS421-24-52	Kidney Shaped Lazy Susan	24" (609 mm) Diameter	Maple	\$134.10



- Designed for 14" to 22" cabinet depths
- Solid wood construction, natural maple or gray
- Mounts to cabinet top and rear
- (3) slide configurations:
 - Full-extension, ball-bearing, 100 lb. rated slides
 - Full-extension, 66 lb. rated, concealed slides with BLUMOTION soft-close
 - Stainless steel full-extension, ball-bearing, 100 lb. rated slides
- Up to (7) hooks
- US Patent No. 9,433,283 and 9,022,237
- TSCA Title VI compliant



For video visit:
rev-a-shelf.com/videos

GLD-W14-BC-5

NOTE: Dimensions are without the optional rear mounting bracket. Rear mounting bracket is 6-1/4" (159 mm) wide and adds 3/4" (19 mm) to the depth, and 13/16" (20 mm) to the height. MCO dimensions and CAB recommendations are dependent on what accessories you intend on hanging on product.



GLD-W14-SC-5
Glideware Pullout
w/ ball-bearing slide and (5) Hooks
(14" version shown)



GLD-W22-BG-7
Glideware Pullout
w/ BLUMOTION Soft-Close
and (7) Hooks
(22" version shown)



Outdoor application



Closet application



GLD-P22-SSW-5
Polymer Glideware Pullout
w/ ball-bearing slide and (5) Hooks
(22" version shown)



Glideware Hooks
Nickel, Black, Brass, Copper, Zinc



Use our B2B hooks for added storage anywhere you need

** - Insert BL for black, BR for brass, BZ for bronze, CP for copper and NC for nickel

Glideware Pullout w/ (5 or 7) Short Hooks					
PRODUCT	DESCRIPTION	DIMS	CAB	FINISH	SLP
GLD-W14-SC-5	14" Glideware	4" (102 mm) W x 14" (356 mm) D x 4-1/8" (105 mm) H	T18	Maple	\$84.55
GLD-W22-SC-7	22" Glideware	4" (102 mm) W x 22" (559 mm) D x 4-1/8" (105 mm) H	T18	Maple	\$103.80
Glideware Pullout w/ BLUMOTION Soft-Close and (5 or 7) Long Hooks					
GLD-W14-BC-5	14" Glideware	6" (153 mm) W x 14" (356 mm) D x 5-1/16" (128 mm) H	T18	Maple	\$196.80
GLD-W16-BC-5	16" Glideware	6" (153 mm) W x 16" (406 mm) D x 5-1/16" (128 mm) H	T18	Maple	\$202.70
GLD-W22-BC-7	22" Glideware	6" (153 mm) W x 22" (559 mm) D x 5-1/16" (128 mm) H	T18	Maple	\$228.50
GLD-W22-BG-7	22" Glideware	6" (153 mm) W x 22" (559 mm) D x 5-1/16" (128 mm) H	T18	Gray	\$230.25
Outdoor Polymer Glideware Pullout w/ Stainless Steel Slides and (5) Short Hooks					
GLD-P22-SSW-5	22" Glideware	4-1/4" (108 mm) W x 22-3/4" (578 mm) D x 5-1/8" (130 mm) H	T18	White	\$320.30
Glideware Accessories					
GLD-HK-S-ZC-7	(7) Glideware Short Hooks	1" (25 mm) W x 1-1/2" (38 mm) x 3-1/8" (80 mm) H		Zinc	\$5.10 ea.
GLD-HK-S-**-7	(7) Glideware Short Hooks	1" (25 mm) W x 1-1/2" (38 mm) x 3-1/8" (80 mm) H			\$11.55 ea.
GLD-HK-L-ZC-7	(7) Glideware Long Hooks	1" (25 mm) W x 1-1/2" (38 mm) x 4" (102 mm) H		Zinc	\$5.20 ea.
GLD-HK-L-**-7	(7) Glideware Long Hooks	1" (25 mm) W x 1-1/2" (38 mm) x 4" (102 mm) H			\$14.30 ea.
GLD-HK-2-ZC-5	(5) Glideware Back-to-Back Hooks	1" (25 mm) W x 2-43/64" (68 mm) x 3-1/8" (80 mm) H		Zinc	\$15.80 ea.
GLD-HK-2-**-5	(5) Glideware Back-to-Back Hooks	1" (25 mm) W x 2-43/64" (68 mm) x 3-1/8" (80 mm) H			\$15.80 ea.



21/22.

Create a clutter-free home with the inventive selection of drawer accessories from Rev A Shelf. Organizing is simple with great products like our Cutlery Trays, Utensil Trays and Universal Spice Racks. We've even found a way to expand the space in your drawer with our unique two-tier system for cookware, cutlery and cosmetics. From the kitchen to the bathroom, Rev-A-Shelf Drawer Accessories furnish unlimited storage solutions for every room in your home.

DRAWER

4WTMD Series



blum



Drawer
Solutions

- Designed for 24" base face frame cabinet drawers
- Complete drawer system, just add drawer front
- Easy installation
- Natural maple construction with semi-gloss finish
- Full-extension, TANDEM, 90 lb. rated, concealed slides with BLUMOTION soft-close
- 5/8" drawer side walls
- (5) drawer compartments
- Comes with (8) short dividers, (5) long dividers and (26) clips
- Mounts to cabinet drawer front, rear and sidewalls
- Figure 8 door mount brackets
- TSCA Title VI compliant

**JUST ADD
YOUR OWN
DRAWER
FRONT!**



(2) upper sections pull up and away, for easy access to the items stored beneath



4WTMD-24HSC-1
Tiered Maxx Drawer



Comes with (8) short dividers,
(5) long dividers and (26) clips

Tiered MAXX Drawer w/ BLUMOTION Soft-Close for Face Frame

PRODUCT	DESCRIPTION	DIMS	MCO	CAB	FINISH	PRICE
4WTMD-24HSC-1	Tiered Maxx Drawer	21" (533 mm) W x 21-17/32" (547 mm) D x 4-3/8" (111 mm) H	21" (533 mm)	B24	Maple	\$297.10



- Designed for 30" and 36" base cabinet drawers
- Complete drawer system, just add your drawer front
- Easy installation
- Natural maple construction with semi-gloss finish
- Full-extension, TANDEM, 110 lb. rated, concealed slides with BLUMOTION soft-close
- (3) drawer compartments
- Sliding top tray is designed for use with 4WCT, 4WUT and 4WKB inserts (sold separately pgs. 214-220)
- Mounts to cabinet drawer front, rear and sidewalls
- Figure 8 door mount brackets
- US Patent No. D843,791
- TSCA Title VI compliant



Drawer Solutions

4WTCDD-36HSC-1



4WTCDD-30HSC-1 & 4WTCDD-724HFLSC-1
Tiered Deep Drawers
(30" version shown)



Top tier compatible with our trimmable inserts



For video visit:
rev-a-shelf.com/videos

Full Access Tiered Deep Drawer w/ BLUMOTION Soft-Close

PRODUCT	DESCRIPTION	DIMS	MCO	CAB	FINISH	SLP
4WTCDD-724HFLSC-1	Tiered Deep Drawer	28-1/2" (724 mm) W x 22-3/16" (564 mm) D x 8" (203 mm) H	28-1/2" (724 mm)	FLB30	Maple	\$419.05
4WTCDD-876HFLSC-1	Tiered Deep Drawer	34-1/2" (876 mm) W x 22-3/16" (564 mm) D x 8" (203 mm) H	34-1/2" (876 mm)	FLB36	Maple	\$440.10

Face Frame Tiered Deep Drawer w/ BLUMOTION Soft-Close

4WTCDD-30HSC-1	Tiered Deep Drawer	27" (686 mm) W x 22-3/16" (564 mm) D x 8" (203 mm) H	27" (686 mm)	FFB30	Maple	\$413.55
4WTCDD-36HSC-1	Tiered Deep Drawer	33" (838 mm) W x 22-3/16" (564 mm) D x 8" (203 mm) H	33" (838 mm)	FFB36	Maple	\$437.05

Cut-Out Cutting Board Drawer

4WCCB Series



Waste container sold separately

- Designed for 18" cabinet drawers
- Natural maple construction with semi-gloss finish
- Removable, cut-out cutting board
- Removable, funnel insert
- Sanitary cap
- Full-extension, TANDEM, 110 lb. rated, concealed slides with BLUMOTION soft-close
- 5/8" drawer side walls
- Figure 8 door mounting brackets
- Drawer front (NOT) included
- Waste container (NOT) included
- TSCA Title VI compliant

4WCCB-18HSC-1



Sanitary cap



Removable food funnel for easy clean-up



Video coming soon!

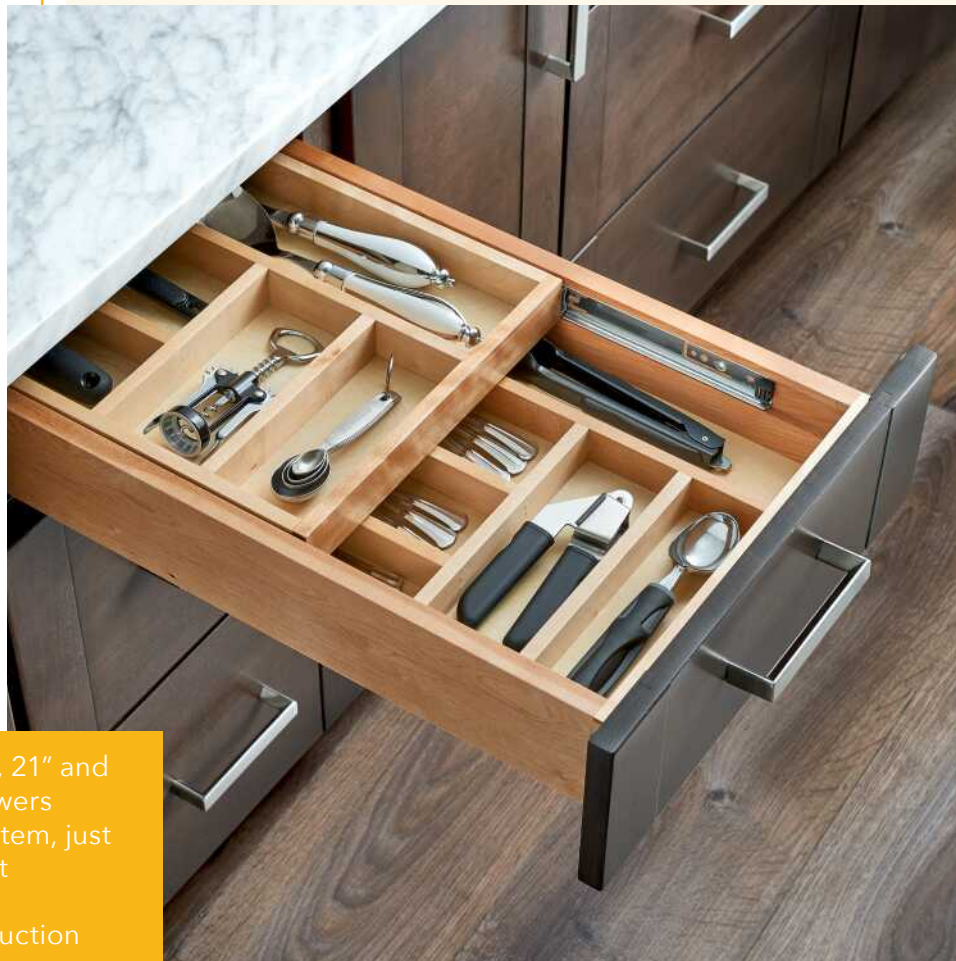
AVAILABLE SUMMER 2021!

Full Access Cut-Out Cutting Board Drawer w/ TANDEM Slides

PRODUCT	DESCRIPTION	DIMS	MCO	CAB	FINISH	PRICE
4WCCB-419HFLSC-1	Cut-Out Cutting Board Drawer	16-1/2" (419 mm)* W x 21-21/32" (550 mm) D x 4-5/16" (109 mm) H	16-1/2" (419 mm)	FLB18	Maple	\$296.95

Face Frame Cut-Out Cutting Board Drawer w/ TANDEM Slides

4WCCB-18HSC-1	Cut-Out Cutting Board Drawer	15" (521 mm) W x 21-3/4" (553 mm) D x 4-5/16" (109 mm) H	15" (521 mm)	FFB18	Maple	\$284.20
---------------	------------------------------	--	--------------	-------	-------	----------



- Designed for 15", 18", 21" and 24" base cabinet drawers
- Complete drawer system, just add your drawer front
- Easy installation
- Natural maple construction with semi-gloss finish
- Full-extension, TANDEM, 110 lb. rated, concealed slides with BLUMOTION soft-close
- Drawer features up to (7) compartments
- Sliding top tray features up to (7) compartments
- Mounts to cabinet drawer front, rear and side walls
- Figure 8 door mount brackets
- TSCA Title VI compliant

4WTCD-18HSC-1

**JUST ADD
YOUR OWN
DRAWER
FRONT!**



For video visit:
rev-a-shelf.com/videos



4WTCD-15H-1 & 4WTCD-15HSC-1
Face Frame Tiered Cutlery Drawer
(15" version shown)



4WTCD-18H-1 & 4WTCD-18HSC-1
Face Frame Tiered Cutlery Drawer
(18" version shown)



4WTCD-21H-1 & 4WTCD-21HSC-1
Face Frame Tiered Cutlery Drawer
(21" version shown)



4WTCD-24H-1 & 4WTCD-24HSC-1
Face Frame Tiered Cutlery Drawer
(24" version shown)



4WTCD-343HFL-1 & 4WTCD-343HFLSC-1
Full Access Tiered Cutlery Drawer
(15" version shown)



4WTCD-419HFL-1 & 4WTCD-419HFLSC-1
Full Access Tiered Cutlery Drawer
(18" version shown)



4WTCD-495HFL-1 & 4WTCD-495HFLSC-1
Full Access Tiered Cutlery Drawer
(21" version shown)



4WTCD-572HFL-1 & 4WTCD-572HFLSC-1
Full Access Tiered Cutlery Drawer
(24" version shown)

NOW YOU HAVE THE CHOICE!
AVAILABLE WITH **BLUM®** CONCEALED SLIDES...OR PROVIDE YOUR OWN!
Designed to be used with BLUMOTION 563H533 or Grass Elite 7523-16/550/533 concealed slides.

Drawer Solutions

Full Access Tiered Cutlery Drawer, w/ BLUMOTION Soft-Close							
PRODUCT	DESCRIPTION	DIMS	MCO	CAB	FINISH	SLP	
4WTCD-343HFLSC-1	Tiered Cutlery Drawer	13-1/2" (343 mm) W x 21-11/16" (551 mm) D x 4-5/16" (110 mm) H	13-1/2" (343 mm)	FLB15	Maple	\$233.90	
4WTCD-419HFLSC-1	Tiered Cutlery Drawer	16-1/2" (419 mm) W x 21-11/16" (551 mm) D x 4-5/16" (110 mm) H	16-1/2" (419 mm)	FLB18	Maple	\$251.45	
4WTCD-495HFLSC-1	Tiered Cutlery Drawer	19-1/2" (495 mm) W x 21-11/16" (551 mm) D x 4-5/16" (110 mm) H	19-1/2" (495 mm)	FLB21	Maple	\$257.95	
4WTCD-572HFLSC-1	Tiered Cutlery Drawer	22-1/2" (572 mm) W x 21-11/16" (551 mm) D x 4-5/16" (110 mm) H	22-1/2" (572 mm)	FLB24	Maple	\$294.80	
Full Access Tiered Cutlery Drawer - No Slides							
4WTCD-343HFL-1	Tiered Cutlery Drawer	13" (330 mm) W x 21" (533 mm) D x 3-3/4" (95 mm) H	N/A	FLB15	Maple	\$171.25	
4WTCD-419HFL-1	Tiered Cutlery Drawer	16" (406 mm) W x 21" (533 mm) D x 3-3/4" (95 mm) H	N/A	FLB18	Maple	\$212.00	
4WTCD-495HFL-1	Tiered Cutlery Drawer	19" (483 mm) W x 21" (533 mm) D x 3-3/4" (95 mm) H	N/A	FLB21	Maple	\$223.75	
4WTCD-572HFL-1	Tiered Cutlery Drawer	22" (559 mm) W x 21" (533 mm) D x 3-3/4" (95 mm) H	N/A	FLB24	Maple	\$262.00	
Face Frame Tiered Cutlery Drawer, w/ BLUMOTION Soft-Close							
4WTCD-15HSC-1	Tiered Cutlery Drawer	12" (305 mm) W x 21-1/2" (546 mm) D x 4-5/16" (110 mm) H	12" (305 mm)	FFB15	Maple	\$225.90	
4WTCD-18HSC-1	Tiered Cutlery Drawer	15" (381 mm) W x 21-1/2" (546 mm) D x 4-5/16" (110 mm) H	15" (381 mm)	FFB18	Maple	\$253.15	
4WTCD-21HSC-1	Tiered Cutlery Drawer	18" (457 mm) W x 21-1/2" (546 mm) D x 4-5/16" (110 mm) H	18" (457 mm)	FFB21	Maple	\$255.35	
4WTCD-24HSC-1	Tiered Cutlery Drawer	21" (533 mm) W x 21-1/2" (546 mm) D x 4-5/16" (110 mm) H	21" (533 mm)	FFB24	Maple	\$280.45	
Face Frame Tiered Cutlery Drawer - No Slides							
4WTCD-15H-1	Tiered Cutlery Drawer	11-1/2" (292 mm) W x 21" (534 mm) D x 3-3/4" (95 mm) H	N/A	FFB15	Maple	\$168.05	
4WTCD-18H-1	Tiered Cutlery Drawer	14-1/2" (368 mm) W x 21" (534 mm) D x 3-3/4" (95 mm) H	N/A	FFB18	Maple	\$201.55	
4WTCD-21H-1	Tiered Cutlery Drawer	17-1/2" (445 mm) W x 21" (534 mm) D x 3-3/4" (95 mm) H	N/A	FFB21	Maple	\$222.00	
4WTCD-24H-1	Tiered Cutlery Drawer	20-1/2" (521 mm) W x 21" (534 mm) D x 3-3/4" (95 mm) H	N/A	FFB24	Maple	\$237.05	



- Designed for 30" and 36" base cabinet drawers
- Complete drawer system, just add your drawer front
- Easy installation
- Natural maple construction with semi-gloss finish
- Full-Extension, TANDEM, 110 lb. rated, concealed slides with BLUMOTION soft-close
- Drawer features up to (6) compartments and built-in knife organizer
- Sliding top tray features up to (5) compartments
- Mounts to cabinet side and rear wall
- Figure 8 door mounting brackets
- (1) Foil Wrap Insert
- Patented design (US Patent No. D843,791)
- TSCA Title VI compliant



Drawer Solutions



For video visit:
rev-a-shelf.com/videos



4WTCD-724HFLSC-1 & 4WTCD-724HFL-1
Tiered Combination Drawer
(Full Access 30" shown)



4WTCD-36HFLSC-1 & 4WTCD-36HFL-1
Tiered Combination Drawer
(Face Frame 36" shown)



4WTCD-876HFLSC-1

Sliding top tray features up to (5) compartments

Full Access Tiered Combination Drawer w/ BLUMOTION Soft-Close

PRODUCT	DESCRIPTION	DIMS	MCO	CAB	FINISH	SLP
4WTCD-724HFLSC-1	Tiered Combination Drawer	28-1/2" (724 mm) W x 22-3/16" (564 mm) D x 4-13/32" (112 mm) H	28-1/2" (724 mm)	FLB30	Maple	\$458.35
4WTCD-876HFLSC-1	Tiered Combination Drawer	34-1/2" (837 mm) W x 22-3/16" (564 mm) D x 4-13/32" (112 mm) H	34-1/2" (876 mm)	FLB36	Maple	\$526.80

Full Access Tiered Combination Drawer - No Slides

4WTCD-724HFL-1	Tiered Combination Drawer	28" (711 mm) W x 21" (533 mm) D x 3-3/4" (95 mm) H		FLB30	Maple	\$294.65
4WTCD-876HFL-1	Tiered Combination Drawer	34" (864 mm) W x 21" (533 mm) D x 3-3/4" (95 mm) H		FLB36	Maple	\$352.35

Face Frame Tiered Combination Drawer w/ BLUMOTION Soft-Close

4WTCD-30HSC-1	Tiered Combination Drawer	26-15/16" (684 mm) W x 22-3/16" (564 mm) D x 4-13/32" (112) H	27" (686 mm)	FFB30	Maple	\$467.05
4WTCD-36HSC-1	Tiered Combination Drawer	32-15/16" (837 mm) W x 22-3/16" (564 mm) D x 4-13/32" (112) H	33" (838 mm)	FFB36	Maple	\$513.75

Face Frame Tiered Combination Drawer - No Slides

4WTCD-30H-1	Tiered Combination Drawer	26-7/16" (672 mm) W x 21" (533 mm) D x 3-3/4" (95 mm) H		FFB30	Maple	\$280.70
4WTCD-36H-1	Tiered Combination Drawer	32-7/16" (824 mm) W x 21" (533 mm) D x 3-3/4" (95 mm) H		FFB36	Maple	\$324.95



- Designed for face frame 18" base cabinet drawers
- Complete drawer system, just add your drawer front
- Easy installation
- Natural maple construction with semi-gloss finish
- Full-Extension, TANDEM, 110 lb. rated, concealed slides with BLUMOTION soft-close
- Drawer features (8) compartments
- Sliding top tray holds (40) K-Cups
- Mounts to cabinet side and rear wall
- Figure 8 door mounting brackets
- Patented design (US Patent No. D789,750)
- TSCA Title VI compliant



4WTCD-18HSC-KCUP-1 & 4WTCD-18H-KCUP-1
Tiered K-Cup Drawer



For video visit:
rev-a-shelf.com/videos

Face Frame Tiered K-Cup Drawer w/ BLUMOTION Soft-Close

PRODUCT	DESCRIPTION	DIMS	MCO	CAB	FINISH	PRICE
4WTCD-18HSC-KCUP-1	Tiered K-Cup Drawer	14-15/16" (379 mm) W x 21-1/2" (546 mm) D x 4-5/16" (110 mm) H	15" (381 mm)	FFB18	Maple	\$237.50

Face Frame Tiered K-Cup Drawer - No Slides

4WTCD-18H-KCUP-1	K-Cup Drawer	14-7/16" (367 mm) W x 21" (533 mm) D x 3-3/4" (95 mm) H		FFB18	Maple	\$179.35
------------------	--------------	---	--	-------	-------	----------



- Designed for 18" base cabinet drawers
- Just add your drawer front
- Natural maple construction with semi-gloss finish
- Full-extension, TANDEM, 110 lb. rated, concealed slides with BLUMOTION soft-close
- (2) 120V plugs and (2) 2.1 amp USB ports
- Tamper resistant outlets
- Max Current: AC: 12 amps @ 120VAC; USB 2.1 amp & 5 VDC
- UL recognized to UL962/CSA-C22.2 No. 0-10
- Power cord with NEMA 5 - 15 plug
- Integrated cord guide to ensure safe operation
- Figure 8 door mounting brackets
- Shock absorbent mat, black
- Overall safety of this product is determined by its end use
- TSCA Title VI compliant



4WCDB-18FLSC-1

Drawer Solutions



For video visit:
rev-a-shelf.com/videos



4WCDB-18HSC-1
 Charging Drawer



Integrated cord guide to ensure safe operation mounts to cabinet side and rear wall

Full Access Charging Drawer w/ BLUMOTION Soft-Close

PRODUCT	DESCRIPTION	DIMS	MCO	CAB	FINISH	SLP
4WCDB-18HFLSC-1	Charging Drawer	16-1/2" (419 mm) W x 22-3/4" (578 mm) D x 4-1/2" (114 mm) H	16-1/2" (419 mm)	FLB18	Maple	\$493.00

Face Frame Charging Drawer w/ BLUMOTION Soft-Close

4WCDB-18HSC-1	Charging Drawer	15" (381 mm) W x 22-3/4" (578 mm) D x 4-1/2" (114 mm) H	15" (381 mm)	FFB18	Maple	\$496.35
---------------	-----------------	---	--------------	-------	-------	----------

Combination Knife Holder/ Cutting Board Drawer

4KCB Series



- Designed for 18", 21" and 24" face frame and 18" full access base cabinet drawers
 - Face Frame fits 1-1/2"
 - Full Access fits 3/4"
- Complete drawer system, just add your drawer front
- Natural maple construction with semi-gloss finish
- Full-extension, TANDEM, 110 lb. rated, concealed slides with BLUMOTION soft-close
- Up to (4) compartments and built-in knife organizer
- Mounts to cabinet drawer front, rear and side walls
- Figure 8 door mount brackets
- Built-in locking mechanism
- (1) wood cutting board
- Drawer front (NOT) included
- TSCA Title VI compliant

4KCB-419FLSC-1



Top tier stores the included cutting board



4KCB-21HSC-1
Combination Drawer
(21" version shown)



4KCB-18HSC-1
Combination Drawer
(18" version shown)



For video visit:
rev-a-shelf.com/videos

Full Access Combination Knife Holder/ Cutting Board Drawer w/ BLUMOTION Soft-Close

PRODUCT	DESCRIPTION	DIMS	MCO	CAB	FINISH	PRICE
4KCB-419HFLSC-1	Combination Drawer	16-1/2" (419 mm) W x 22-1/8" (562 mm) D x 4-3/8" (111 mm) H	16-1/2" (419 mm)	FLB18	Maple	\$312.05

Combination Knife Holder/ Cutting Board Drawer w/ BLUMOTION Soft-Close

4KCB-18HSC-1	Combination Drawer	15" (381 mm) W x 22-1/8" (562 mm) D x 4-3/8" (111 mm) H	15" (381 mm)	FFB18	Maple	\$296.40
4KCB-21HSC-1	Combination Drawer	18" (456 mm) W x 22-1/8" (562 mm) D x 4-3/8" (111 mm) H	18" (457 mm)	FFB21	Maple	\$324.05
4KCB-24HSC-1	Combination Drawer	21" (532 mm) W x 22-1/8" (562 mm) D x 4-3/8" (111 mm) H	21" (533 mm)	FFB24	Maple	\$352.50



- Designed for 12", 15" and 18" vanity base cabinet drawers
- Complete drawer system, just add your drawer front
- Easy installation
- Natural maple construction with semi-gloss finish
- Full-extension, TANDEM, 110 lb. rated, concealed slides with BLUMOTION soft-close
- Up to (7) compartments and up to (5) acrylic bins
- Non-skid vinyl lining
- Mounts to cabinet side and rear wall
- Figure 8 door mounting brackets
- TSCA Title VI compliant



4VDO-12SC-1



4VDOHT-15SC-1
Half-Tier Vanity Drawer
(15" Version Shown)



4VDOHT-276FLSC-1
Tiered Vanity Drawer
(12" Full Access Version Shown)



For video visit:
rev-a-shelf.com/videos

Full Access Vanity Drawer w/ BLUMOTION Soft-Close

PRODUCT	DESCRIPTION	DIMS	MCO	CAB	FINISH	SLP
4VDO-267FLSC-1	Single Drawer	10-1/2" (267 mm) W x 18-11/16" (474 mm) D x 4-5/16" (109 mm) H	10-1/2" (267 mm)	FLVB12	Maple	\$173.70
4VDOT-267FLSC-1	Tiered Drawer	10-1/2" (267 mm) W x 18-11/16" (474 mm) D x 8" (204 mm) H	10-1/2" (267 mm)	FLVB12	Maple	\$247.10
4VDOHT-267FLSC-1	Half-Tiered Drawer	10-1/2" (267 mm) W x 18-11/16" (474 mm) D x 8" (204 mm) H	10-1/2" (267 mm)	FLVB12	Maple	\$238.10
4VDO-343FLSC-1	Single Drawer	13-1/2" (343 mm) W x 18-11/16" (474 mm) D x 4-5/16" (109 mm) H	13-1/2" (343 mm)	FLVB15	Maple	\$194.60
4VDOT-343FLSC-1	Tiered Drawer	13-1/2" (343 mm) W x 18-11/16" (474 mm) D x 8" (204 mm) H	13-1/2" (343 mm)	FLVB15	Maple	\$275.95
4VDOHT-343FLSC-1	Half-Tiered Drawer	13-1/2" (343 mm) W x 18-11/16" (474 mm) D x 8" (204 mm) H	13-1/2" (343 mm)	FLVB15	Maple	\$257.65
4VDO-419FLSC-1	Single Drawer	16-1/2" (419 mm) W x 18-11/16" (474 mm) D x 4-5/16" (109 mm) H	16-1/2" (419 mm)	FLVB18	Maple	\$215.30
4VDOT-419FLSC-1	Tiered Drawer	16-1/2" (419 mm) W x 18-11/16" (474 mm) D x 8" (204 mm) H	16-1/2" (419 mm)	FLVB18	Maple	\$304.35
4VDOHT-419FLSC-1	Half-Tiered Drawer	16-1/2" (419 mm) W x 18-11/16" (474 mm) D x 8" (204 mm) H	16-1/2" (419 mm)	FLVB18	Maple	\$272.00

Face Frame Vanity Drawer w/ BLUMOTION Soft-Close

4VDO-12SC-1	Single Drawer	9" (228 mm) W x 18-11/16" (474 mm) D x 4-5/16" (109 mm) H	9" (229 mm)	VB12	Maple	\$166.45
4VDOT-12SC-1	Tiered Drawer	9" (228 mm) W x 18-11/16" (474 mm) D x 8" (204 mm) H	9" (229 mm)	VB12	Maple	\$233.30
4VDOHT-12SC-1	Half-Tiered Drawer	9" (228 mm) W x 18-11/16" (474 mm) D x 8" (204 mm) H	9" (229 mm)	VB12	Maple	\$221.40
4VDO-15SC-1	Single Drawer	12" (304 mm) W x 18-11/16" (474 mm) D x 4-5/16" (109 mm) H	12" (305 mm)	VB15	Maple	\$185.60
4VDOT-15SC-1	Tiered Drawer	12" (304 mm) W x 18-11/16" (474 mm) D x 8" (204 mm) H	12" (305 mm)	VB15	Maple	\$262.00
4VDOHT-15SC-1	Half-Tiered Drawer	12" (304 mm) W x 18-11/16" (474 mm) D x 8" (204 mm) H	12" (305 mm)	VB15	Maple	\$244.05
4VDO-18SC-1	Single Drawer	15" (380 mm) W x 18-11/16" (474 mm) D x 4-5/16" (109 mm) H	15" (381 mm)	VB18	Maple	\$205.90
4VDOT-18SC-1	Tiered Drawer	15" (380 mm) W x 18-11/16" (474 mm) D x 8" (204 mm) H	15" (381 mm)	VB18	Maple	\$286.40
4VDOHT-18SC-1	Half-Tiered Drawer	15" (380 mm) W x 18-11/16" (474 mm) D x 8" (204 mm) H	15" (381 mm)	VB18	Maple	\$265.65



- Designed for 1-1/2" face frame 24" base cabinet drawers
- Complete drawer system, just add your drawer front
- Easy installation
- Natural maple construction with semi-gloss finish
- Over-extension, 220 lb. rated, table slides (static load)
- Adds 31-3/4" counter-top space
- Mounts to cabinet drawer rail and rear wall
- Patented door mount brackets with 5" of adjustability and micro-trim adjuster (US Patent No. 8,388,076)
- TSCA Title VI compliant

4TT-2133-1

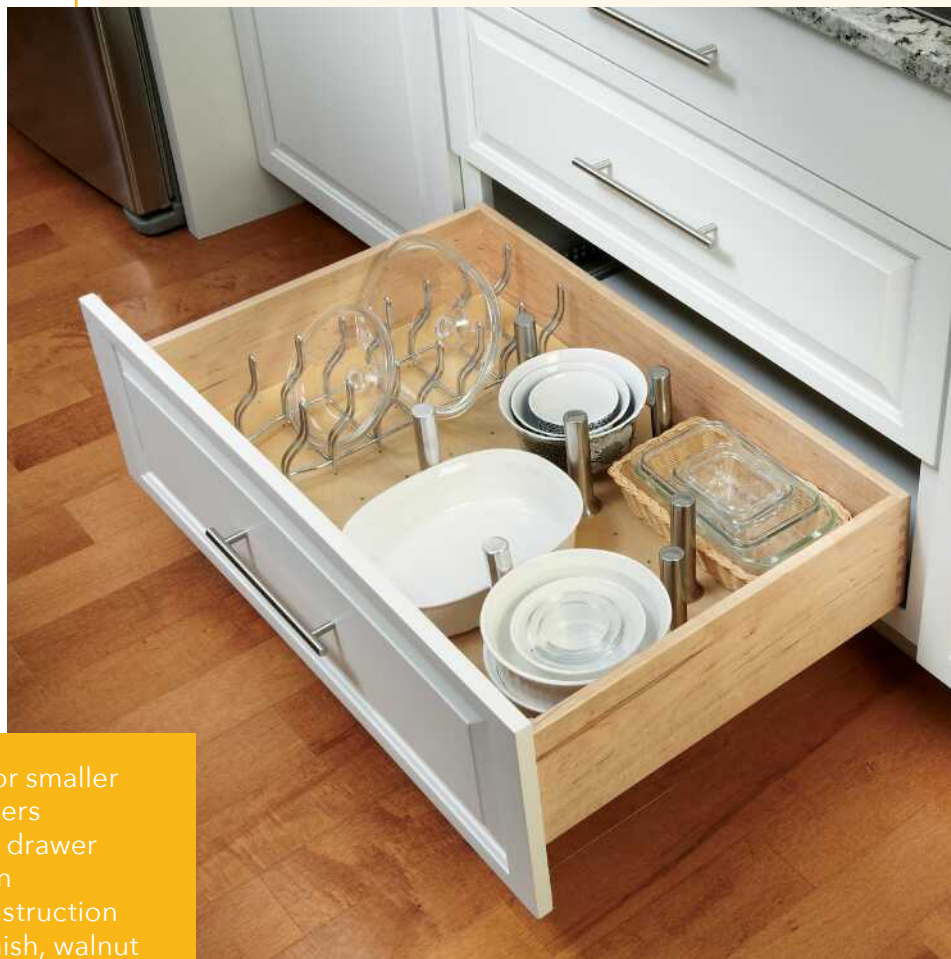


4TT-2133-1
Tambour Table

Drawer
Solutions

Face Frame Wood Tambour Table

PRODUCT	DESCRIPTION	DIMS	MCO	CAB	FINISH	SLP
4TT-2133-1	Tambour Table	22" (559 mm) W x 19-5/16-24" (491-610 mm) D x 4-3/4" (121 mm) H	20-1/2" (521 mm) - FF 22" (559 mm) - FL	FFB24	Maple	\$390.20



4DPB-3921, DPS-PEG-4SS, 5DLD-1-CR

- Designed for 42" or smaller base cabinet drawers
- Trim-to-fit existing drawer
- Drop-in installation
- Natural maple construction with semi-gloss finish, walnut construction with satin finish or natural maple construction with sound dampening vinyl covering
- Up to (120) pre-drilled peg holes
- (9), (12) or (16) matching, press-in pegs (maple and walnut only)
- Compatible with chrome accessories (sold separately)
- TSCA Title VI compliant



Think outside the box



Perfect for vanities



Mix and match accessories for the perfect drawer solution



4DPS-WN-2421
Drawer Peg System
(Walnut finish shown)



4DPBG-3021-1
Drawer Peg Board
(Vinyl finish shown)



4DPS-3921
Drawer Peg System
(Maple finish shown)



4DPS-PEG-WN-4
(4) Wood Pegs
(Walnut finish shown)



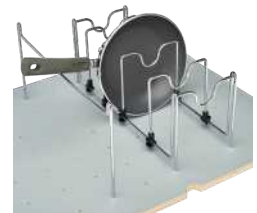
DPS-PEG-4SS
(4) Stainless Steel Pegs



5DCH-2-1-CR
(2) Stainless Steel Containers



5DLD-1-CR
Lid Organizer



5DCD-1-CR
Pot & Pan Organizer

Drawer Peg System

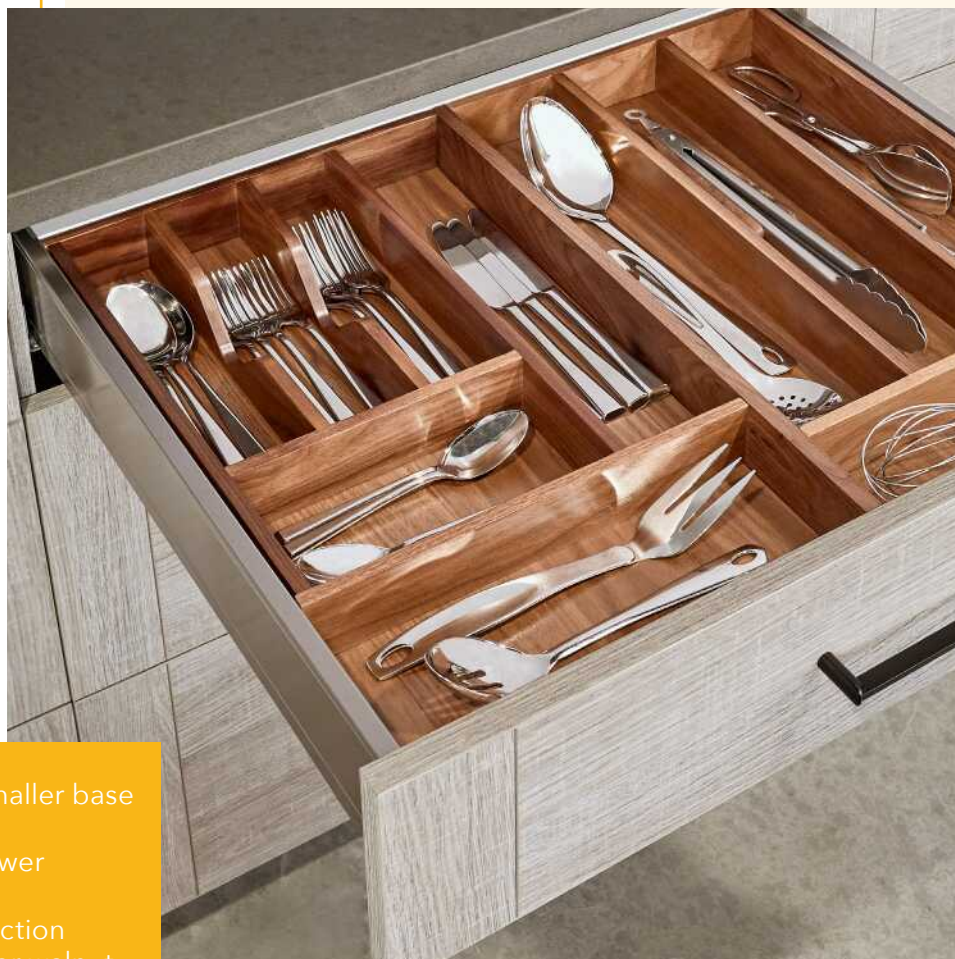
PRODUCT	DESCRIPTION	DIMS	FINISH	SLP
4DPS-WN-2421	Peg System w/ (9) Pegs	24-1/4" (616 mm) W x 21-1/4" (540 mm) D x 6-5/8" (168 mm) H	Walnut	\$211.55
4DPS-WN-3021	Peg System w/ (12) Pegs	30-1/4" (769 mm) W x 21-1/4" (540 mm) D x 6-5/8" (168 mm) H	Walnut	\$272.60
4DPS-WN-3921	Peg System w/ (16) Pegs	39-1/4" (997 mm) W x 21-1/4" (540 mm) D x 6-5/8" (168 mm) H	Walnut	\$356.40
4DPS-2421	Peg System w/ (9) Pegs	24-1/4" (616 mm) W x 21-1/4" (540 mm) D x 6-5/8" (168 mm) H	Maple	\$79.00
4DPS-3021	Peg System w/ (12) Pegs	30-1/4" (769 mm) W x 21-1/4" (540 mm) D x 6-5/8" (168 mm) H	Maple	\$96.15
4DPS-3921	Peg System w/ (16) Pegs	39-1/4" (997 mm) W x 21-1/4" (540 mm) D x 6-5/8" (168 mm) H	Maple	\$124.10

Drawer Peg Board - No Pegs

4DPBG-2421-1	Vinyl Drawer Peg Board	24-1/8" (613 mm) W x 21-1/4" (540 mm) D x 5/8" (16 mm) H	Vinyl	\$79.45
4DPBG-3021-1	Vinyl Drawer Peg Board	30-1/8" (766 mm) W x 21-1/4" (540 mm) D x 5/8" (16 mm) H	Vinyl	\$99.35
4DPBG-3921-1	Vinyl Drawer Peg Board	39-1/8" (994 mm) W x 21-1/4" (540 mm) D x 5/8" (16 mm) H	Vinyl	\$124.10
4DPB-2421	Drawer Peg Board	24-1/4" (616 mm) W x 21-1/4" (540 mm) D x 5/8" (16 mm) H	Maple	\$65.95
4DPB-3021	Drawer Peg Board	30-1/4" (769 mm) W x 21-1/4" (540 mm) D x 5/8" (16 mm) H	Maple	\$78.75
4DPB-3921	Drawer Peg Board	39-1/4" (997 mm) W x 21-1/4" (540 mm) D x 5/8" (16 mm) H	Maple	\$100.50

Accessories

4DPS-PEG-4	(4) Maple Pegs	1-5/8" (41 mm) W x 1-5/8" (41 mm) D x 6-1/2" (165 mm) H	Maple	\$30.80
4DPS-PEG-WN-4	(4) Walnut Pegs	1-5/8" (41 mm) W x 1-5/8" (41 mm) D x 6-1/2" (165 mm) H	Walnut	\$59.80
DPS-PEG-4SS	(4) Stainless Steel Pegs	1-1/4" (32 mm) W x 1-1/4" (32 mm) D x 6" (153 mm) H	Stainless Steel	\$64.40
5DCH-2-1-CR	(2) Stainless Steel Containers	6-1/2" (165 mm) W x 10-1/4" (261 mm) D x 6-1/2" (165 mm) H	Stainless Steel	\$56.65
5DLD-1-CR	Lid Organizer	5-1/4" (134 mm) W x 16-7/8" (429 mm) D x 5-3/8" (137 mm) H	Chrome	\$24.65
5DCD-1-CR	Pot/Pan Organizer	7-3/4" (197 mm) W x 15-1/4" (388 mm) D x 7-5/8" (194 mm) H	Chrome	\$31.60



4WCT-WN-1SH/ 4WD-22SH-WN-1

- Designed for 24" or smaller base cabinet drawers
- Trim-to-fit existing drawer
- Drop-in installation
- Natural maple construction with semi-gloss finish or walnut construction with satin finish
- Up to (9) compartments
- Shallow height sizes available
- Compatible with 4WD Wood Divider (Pg. 221) when using multiple inserts
- TSCA Title VI compliant



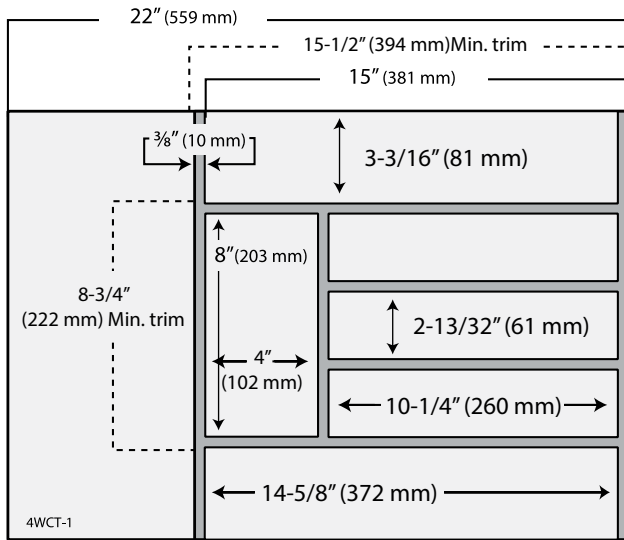
For video visit:
rev-a-shelf.com/videos



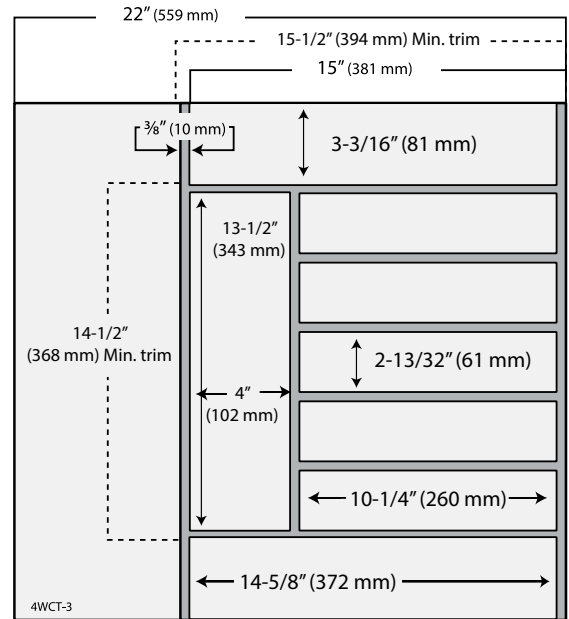
4WCT-3SH
Wood Cutlery Tray Insert
(Maple finish shown)



4WCT-1SH
Wood Cutlery Tray Insert
(Walnut finish shown)



4WCT-1



4WCT-3

Shallow Wood Cutlery Tray Insert

PRODUCT	DESCRIPTION	DIMS	FINISH	SLP
4WCT-WN-1SH	Shallow Height Cutlery Tray	15-1/8" (384 mm) W x 22" (559 mm) D x 2-3/8" (60 mm) H	Walnut	\$107.30
4WCT-WN-3SH	Shallow Height Cutlery Tray	21-1/8" (537 mm) W x 22" (559 mm) D x 2-3/8" (60 mm) H	Walnut	\$145.15
4WCT-1SH	Shallow Height Cutlery Tray	14-5/8" (371 mm) W x 22" (559 mm) D x 2-3/8" (60 mm) H	Maple	\$54.50
4WCT-3SH	Shallow Height Cutlery Tray	20-5/8" (524 mm) W x 22" (559 mm) D x 2-3/8" (60 mm) H	Maple	\$71.50

Wood Cutlery Tray Insert

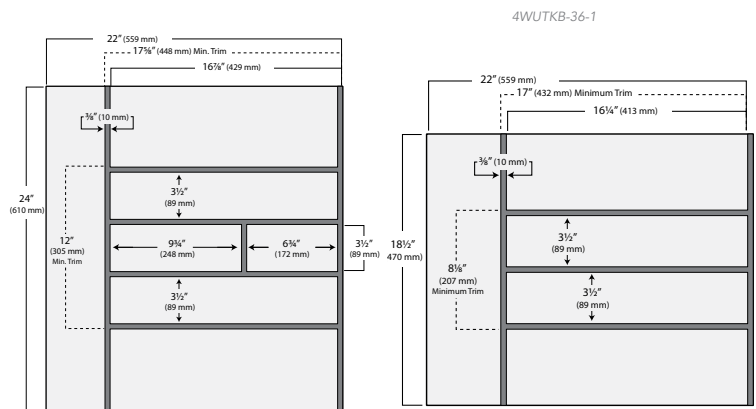
4WCT-1	Cutlery Tray	14-5/8" (371 mm) W x 22" (559 mm) D x 2-7/8" (73 mm) H	Maple	\$55.70
4WCT-3	Cutlery Tray	20-5/8" (524 mm) W x 22" (559 mm) D x 2-7/8" (73 mm) H	Maple	\$72.95



For video visit:
rev-a-shelf.com/videos

Drawer
Solutions

- Designed for 36" or smaller base cabinet drawers
- Trim-to-fit existing drawer
- Drop-in installation
- Natural maple construction with semi-gloss finish or walnut construction with satin finish
- Up to (2) adjustable compartments
- Up to (12) static compartments
- Shallow height sizes available
- Compatible with 4FWI Foil Wrap Insert and 4WD Wood Divider (Pg. 221)
- TSCA Title VI compliant



4WUT-3

4WUT-1



4FWI-16SS-1
 Foil Wrap Insert



4WUT-WN-1SH
Wood Utensil Tray Insert
(Walnut finish shown)



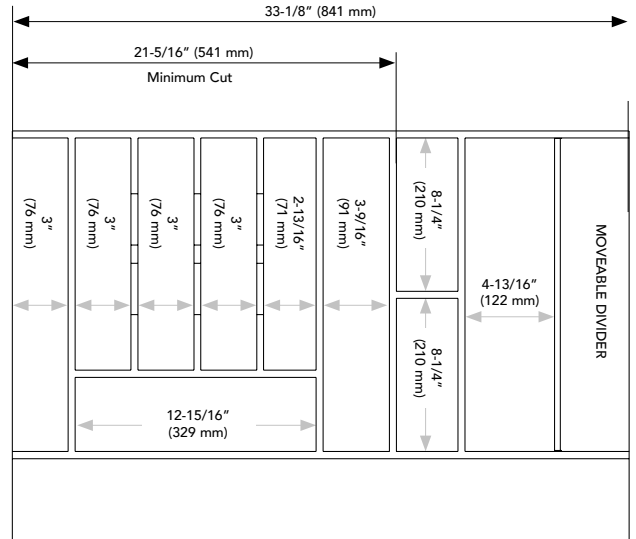
4WUT-36-1
Wide Utensil Drawer Insert



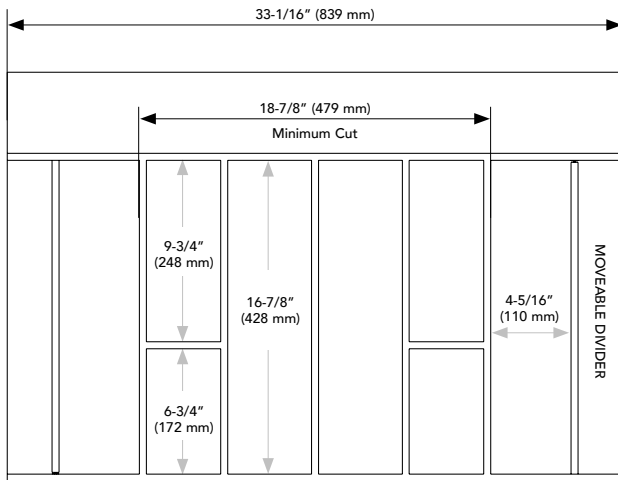
4WUTCT-36-1
Wide Utensil/Cutlery
Drawer Insert



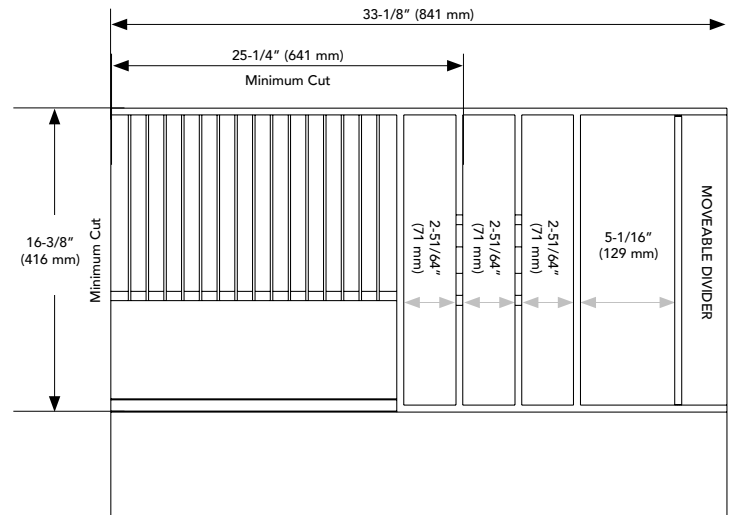
4WUTKB-36-1
Wide Knife Block/ Utensil
Drawer Insert



4WUTCT-36-1



4WUT-36-1



4WUTKB-36-1

Drawer Solutions

Shallow Wood Utensil Tray Insert

PRODUCT	DESCRIPTION	DIMS	FINISH	SLP
4WUT-WN-1SH	Shallow Height Utensil Tray	15-1/8" (384 mm) W x 22" (559 mm) D x 2-3/8" (60 mm) H	Walnut	\$106.60
4WUT-WN-3SH	Shallow Height Utensil Tray	21-1/8" (537 mm) W x 22" (559 mm) D x 2-3/8" (60 mm) H	Walnut	\$144.15
4WUT-1SH	Shallow Height Utensil Tray	18-1/2" (470 mm) W x 22" (559 mm) D x 2-3/8" (60 mm) H	Maple	\$57.15
4WUT-3SH	Shallow Height Utensil Tray	24" (610 mm) W x 22" (559 mm) D x 2-3/8" (60 mm) H	Maple	\$70.90

Wood Utensil Tray Insert

4WUT-1	Utensil Tray	18-1/2" (470 mm) W x 22" (559 mm) D x 2-7/8" (73 mm) H	Maple	\$52.60
4WUT-3	Utensil Tray	24" (610 mm) W x 22" (559 mm) D x 2-7/8" (73 mm) H	Maple	\$75.70

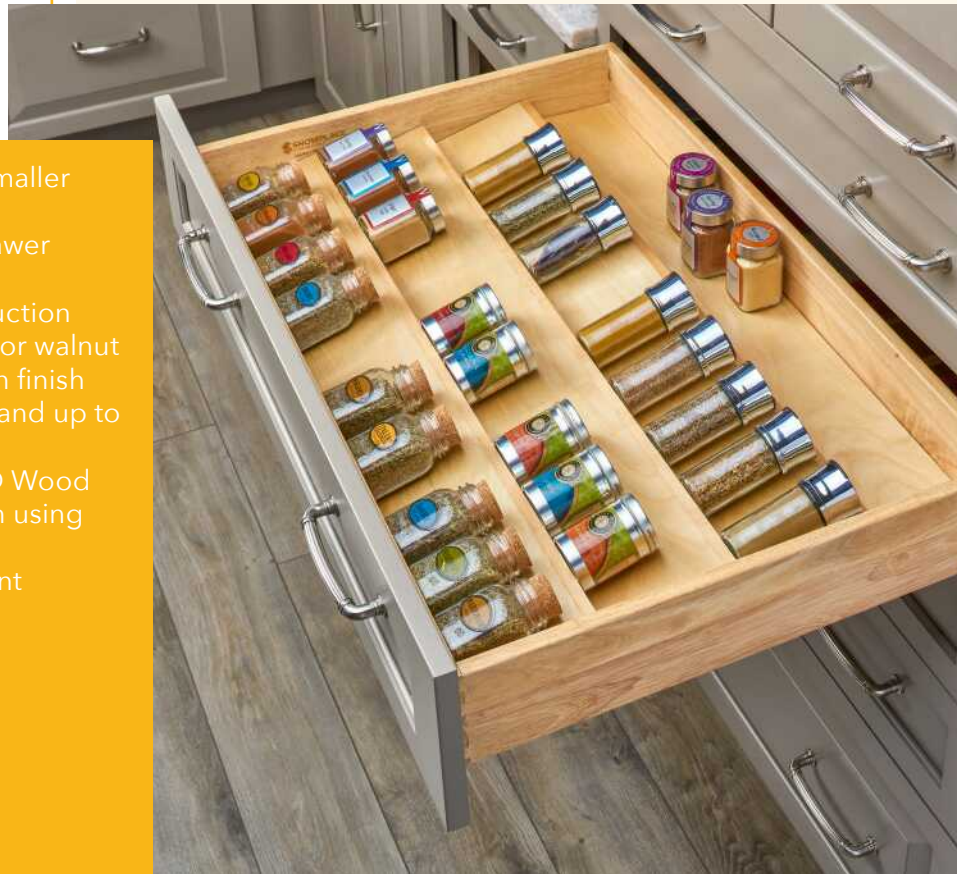
Wide Drawer Inserts

4WUT-36-1	Utensil Drawer Insert	33-1/8" (841 mm) W x 22" (589 mm) D x 2-7/8" (73 mm) H	Maple	\$175.15
4WUTKB-36-1	Knife Block/ Utensil Drawer Insert	33-1/8" (841 mm) W x 22" (589 mm) D x 2-7/8" (73 mm) H	Maple	\$179.20
4WUTCT-36-1	Utensil/Cutlery Drawer Insert	33-1/8" (841 mm) W x 22" (589 mm) D x 2-7/8" (73 mm) H	Maple	\$175.15

Accessories

4FWI-16SS-1	16" Foil Wrap Insert for 4WUT	3-7/16" (86 mm) W x 16" (406 mm) D x 2-5/8" (66 mm) H	Stainless Steel	\$26.85
-------------	-------------------------------	---	-----------------	---------

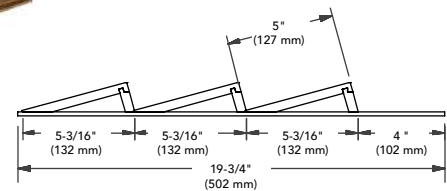
- Designed for 36" or smaller base cabinet drawers
- Trim-to-fit existing drawer
- Drop-in installation
- Natural maple construction with semi-gloss finish or walnut construction with satin finish
- (1) rear compartment and up to (3) tiers
- Compatible with 4WD Wood Divider (Pg. 221) when using multiple inserts
- TSCA Title VI compliant



4SDI-36-1



4SDI-WN-18-1
Wood Spice Drawer Insert
(Walnut finish shown)



For video visit:
rev-a-shelf.com/videos

Wood Spice Drawer Insert

PRODUCT	DESCRIPTION	DIMS	FINISH	SLP
4SDI-WN-18-1	Spice Drawer Insert	16" (406 mm) W x 19-3/4" (502 mm) D x 1-9/16" (39 mm) H	Walnut	\$87.45
4SDI-WN-24-1	Spice Drawer Insert	22" (559 mm) W x 19-3/4" (502 mm) D x 1-9/16" (39 mm) H	Walnut	\$113.55
4SDI-18	Spice Drawer Insert	16" (406 mm) W x 19-3/4" (502 mm) D x 1-9/16" (39 mm) H	Maple	\$73.80
4SDI-24	Spice Drawer Insert	22" (559 mm) W x 19-3/4" (502 mm) D x 1-9/16" (39 mm) H	Maple	\$82.05

Wide Spice Drawer Insert

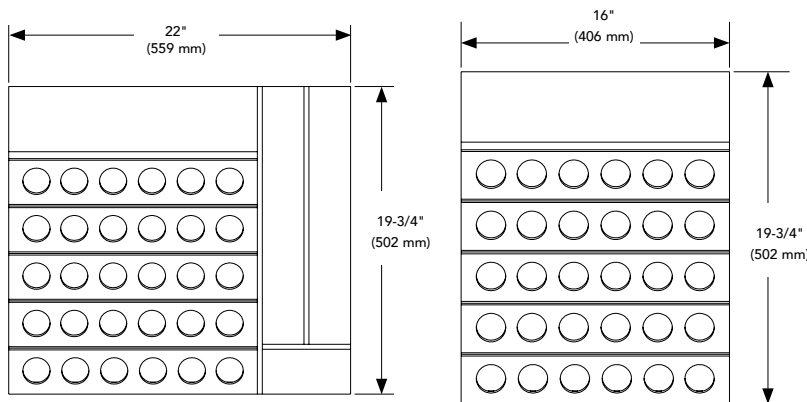
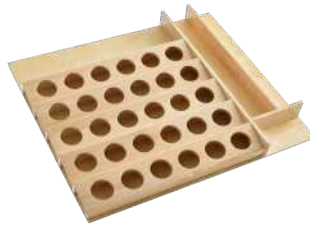
4SDI-36-1	Spice Drawer Insert	33-1/8" (841 mm) W x 19-3/4" (502 mm) D x 1-3/4" (44 mm) H	Maple	\$169.20
-----------	---------------------	--	-------	----------



4CDI-18-KCUP-1

- Designed for 18" and 24" base cabinet drawers
- Trim-to-fit existing drawer
- Drop-in installation
- Natural maple construction with semi-gloss finish
- Up to (4) compartments and (5) tiers that hold up to (30) K-Cups
- Compatible with 4WD Wood Divider (Pg. 221) when using multiple inserts
- TSCA Title VI compliant

4CDI-24-KCUP-1
Wood K-CUP Drawer Insert
(24" version shown)



4CDI-24-KCUP-1

4CDI-18-KCUP-1



For video visit:
rev-a-shelf.com/videos

Wood K-Cup Drawer Insert

PRODUCT	DESCRIPTION	DIMS	FINISH	SLP
4CDI-18-KCUP-1	K-Cup Tray Insert	16" (406 mm) W x 19-3/4" (502 mm) D x 2-3/8" (61 mm) H	Maple	\$105.70
4CDI-24-KCUP-1	K-Cup Tray Insert	22" (559 mm) W x 19-3/4" (502 mm) D x 2-3/8" (61 mm) H	Maple	\$129.35

4WDKB Series

Double Knife Block Insert

- Designed for 18-1/2" or smaller base cabinet drawers
- Trim-to-fit existing drawer
- Drop-in installation
- Natural maple construction with semi-gloss finish or walnut construction with satin finish
- (1) compartment and (2) tiers that include up to (55) knife slots
- Compatible with 4WD Wood Divider (Pg. 221) when using multiple inserts
- TSCA Title VI compliant



4WDKB-WN-1
Wood Double Knife Block
(Walnut finish shown)

4WDKB-1



For video visit:
rev-a-shelf.com/videos

Wood Double Knife Block Insert

PRODUCT	DESCRIPTION	DIMS	FINISH	SLP
4WDKB-WN-1	Double Knife Block Insert	18-1/2" (470 mm) W x 22" (559 mm) D x 2" (51 mm) H	Walnut	\$300.75
4WDKB-1	Double Knife Block Insert	18-1/2" (470 mm) W x 22" (559 mm) D x 2" (51 mm) H	Maple	\$103.10

LD-4CT Series

Wood Drawer Organizer

- Designed for 15" and 21" base cabinet drawers
- Fits into existing drawer
- Drop-in installation
- Maple construction with semi-gloss clear finish
- Up to (13) dividers
- Customizable, press-in clips: 15" includes (18), 21" includes (26)
- TSCA Title VI compliant



Wood Drawer Organizer

PRODUCT	DESCRIPTION	DIMS	FINISH	SLP
LD-4CT15-1	Drawer Organizer	9-7/8" (251 mm) W x 19-1/8" (486 mm) D x 2-1/2" (64 mm) H	Maple	\$46.85
LD-4CT21-1	Drawer Organizer	15-3/8" (391 mm) W x 19-1/8" (486 mm) D x 2-1/2" (64 mm) H	Maple	\$69.15

Wood Knife Block Insert

4WKB Series



- Designed for 18-1/2" or smaller base cabinet drawers
- Trim-to-fit existing drawer
- Drop-in installation
- Natural maple construction with semi-gloss finish
- (1) compartment and up to (19) knife slots
- Compatible with 4WD Wood Divider when using multiple inserts
- TSCA Title VI compliant

Wood Knife Block Insert

PRODUCT	DESCRIPTION	DIMS	FINISH	PRICE
4WKB-1	Knife Block Insert	18-1/2" (470 mm) W x 22" (559 mm) D x 2-3/8" (60 mm) H	Maple	\$87.60

Wood Drawer Divider

4WD Series



- Designed for 22" D or smaller base cabinet drawers
- Trim-to-fit existing drawer
- Natural maple construction with semi-gloss finish or walnut construction with satin finish
- 2-3/8" shallow H or 2-7/8" H
- Compatible with 4WCT, 4WUT, 4WKB and 4SDI Inserts
- Easily combine various drawer inserts into wider drawer
- TSCA Title VI compliant

Drawer Solutions

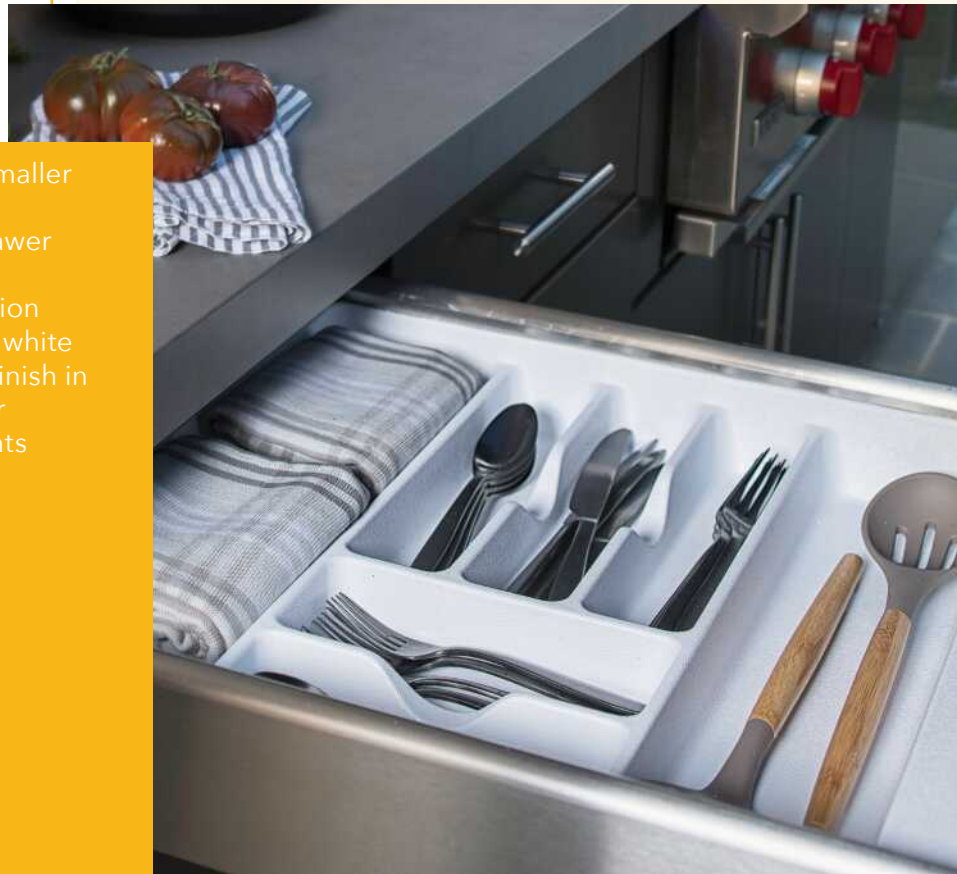
Shallow Height Wood Drawer Divider

PRODUCT	DESCRIPTION	DIMS	FINISH	PRICE
4WD-22SH-WN-1	Shallow Height Divider	1/2" (13 mm) W x 22" (559 mm) D x 2-3/8" (60 mm) H	Walnut	\$26.95
4WD-22SH-1	Shallow Height Divider	1/2" (13 mm) W x 22" (559 mm) D x 2-3/8" (60 mm) H	Maple	\$12.90

Wood Drawer Divider

4WD-22-1	Divider	1/2" (13 mm) W x 22" (559 mm) D x 2-7/8" (73 mm) H	Maple	\$13.05
----------	---------	--	-------	---------

- Designed for 24" or smaller base cabinet drawers
- Trim-to-fit existing drawer
- Drop-in installation
- Polystyrene construction with textured finish in white or almond, or glossy finish in white or metallic silver
- Up to (7) compartments
- Great for our outdoor applications



CT-2W-52



CT-1A-52
Polymer Cutlery Tray
(Almond finish shown)



GCT-2S-52
Polymer Cutlery Tray
(Metallic Silver finish shown)



CT-4W-52
Polymer Cutlery Tray
(White finish shown)

NOTE: Trays can be ordered trimmed to your specifications for an additional charge. Ships with a clear protective coating; remove before use.

* - Insert (W) for White, (A) for Almond and (S) For Metallic Silver. Add "G" to the beginning of the product number to designate Glossy finish.

Polymer Cutlery Tray						
PRODUCT	DESCRIPTION	DIMS	MIN TRIM	FINISH	SLP	
CT-1*-52	Cutlery Tray	11-1/2" (293 mm) W x 21-1/4" (540 mm) D x 2-3/8" (61 mm) H	8-5/8" (219 mm) W x 17-3/4" (451 mm) D	Polymer	\$18.40	
CT-2*-52	Cutlery Tray	14-1/4" (362 mm) W x 21-1/4" (540 mm) D x 2-3/8" (61 mm) H	11-5/8" (296 mm) W x 17-3/4" (451 mm) D	Polymer	\$20.15	
CT-3*-52	Cutlery Tray	17-1/2" (445 mm) W x 21-1/4" (540 mm) D x 2-3/8" (61 mm) H	14-3/4" (375 mm) W x 17-3/4" (451 mm) D	Polymer	\$23.65	
CT-4*-52	Cutlery Tray	21-7/8" (556 mm) W x 21-1/4" (540 mm) D x 2-3/8" (61 mm) H	18-3/4" (467 mm) W x 17-3/4" (451 mm) D	Polymer	\$24.80	
Polymer Cutlery Tray						
CT-1*-10	(10) Cutlery Trays	11-1/2" (293 mm) W x 21-1/4" (540 mm) D x 2-3/8" (61 mm) H	8-5/8" (219 mm) W x 17-3/4" (451 mm) D	Polymer	\$13.80 ea.	
CT-2*-20	(20) Cutlery Trays	14-1/4" (362 mm) W x 21-1/4" (540 mm) D x 2-3/8" (61 mm) H	11-5/8" (296 mm) W x 17-3/4" (451 mm) D	Polymer	\$14.20 ea.	
CT-3*-20	(20) Cutlery Trays	17-1/2" (445 mm) W x 21-1/4" (540 mm) D x 2-3/8" (61 mm) H	14-3/4" (375 mm) W x 17-3/4" (451 mm) D	Polymer	\$16.55 ea.	
CT-4*-10	(10) Cutlery Trays	21-7/8" (556 mm) W x 21-1/4" (540 mm) D x 2-3/8" (61 mm) H	18-3/4" (467 mm) W x 17-3/4" (451 mm) D	Polymer	\$16.95 ea.	





- Designed for 24" or smaller base cabinet drawers
- Trim-to-fit existing drawer
- Drop-in installation
- Polystyrene construction with textured or glossy finish in white, or textured finish in almond
- Up to (4) compartments
- Great for our outdoor applications

GUT-18W-52



UT-10A-52

Polymer Utensil Tray
(Almond finish shown)

UT-12A-52

Polymer Utensil Tray
(Almond finish shown)

GUT-15W-52

Polymer Utensil Tray
(White finish shown)

* - Insert (W) for White, (A) for Almond. Add "G" to the beginning of the product number to designate Glossy finish.

NOTE: Trays can be ordered trimmed to your specifications for an additional charge. Ships with a clear protective coating; remove before use.

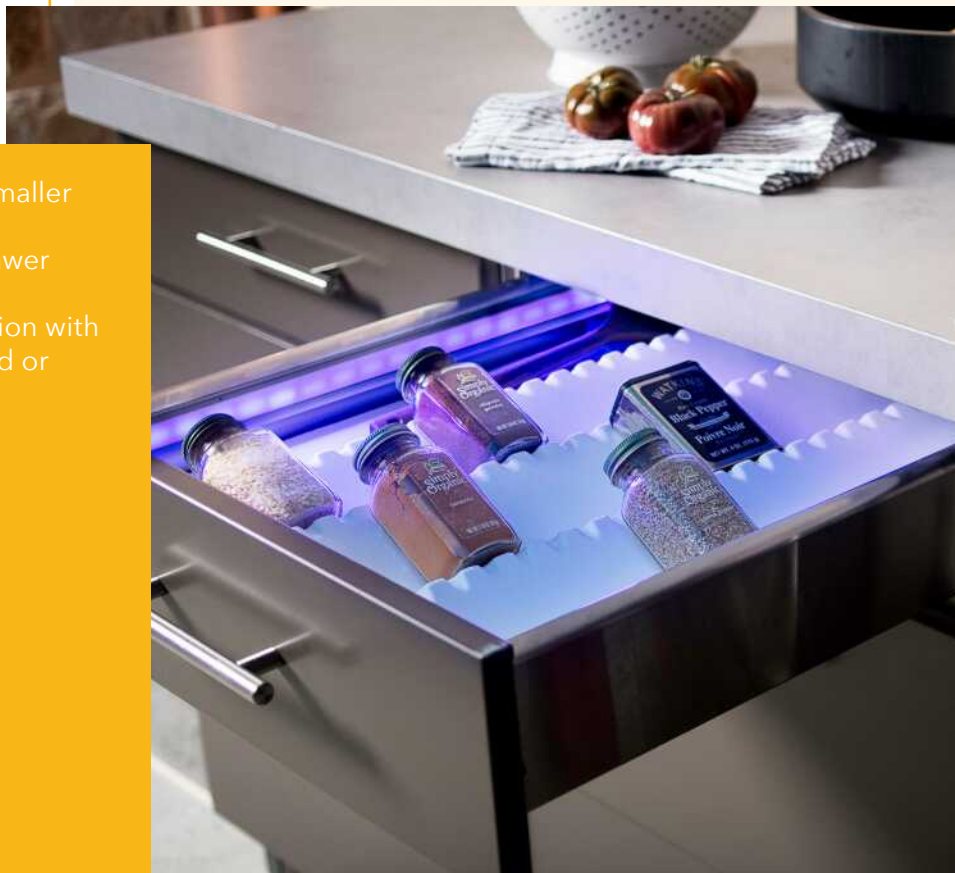
Polymer Utensil Tray

PRODUCT	DESCRIPTION	DIMS	MIN TRIM	FINISH	SLP
UT-10*-52	Utility Trays	11-1/2" (293 mm) W x 21-1/4" (540 mm) D x 2-3/8" (61 mm) H	8-5/8" (219 mm) W x 17-3/4" (451 mm) D	Polymer	\$21.45
UT-12*-52	Utility Trays	14-1/4" (362 mm) W x 21-1/4" (540 mm) D x 2-3/8" (61 mm) H	11-5/8" (296 mm) W x 17-3/4" (451 mm) D	Polymer	\$20.75
UT-15*-52	Utility Trays	17-1/2" (445 mm) W x 21-1/4" (540 mm) D x 2-3/8" (61 mm) H	14-3/4" (375 mm) W x 17-3/4" (451 mm) D	Polymer	\$24.35
UT-18*-52	Utility Trays	21-7/8" (556 mm) W x 21-1/4" (540 mm) D x 2-3/8" (61 mm) H	18-3/8" (467 mm) W x 17-3/4" (451 mm) D	Polymer	\$25.50

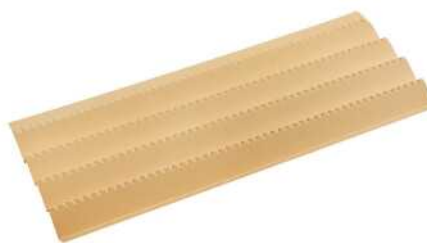
Polymer Utensil Trays

UT-10*-10	(10) Utility Trays	11-1/2" (293 mm) W x 21-1/4" (540 mm) D x 2-3/8" (61 mm) H	8-5/8" (219 mm) W x 17-3/4" (451 mm) D	Polymer	\$14.20 ea.
UT-12*-20	(20) Utility Trays	14-1/4" (362 mm) W x 21-1/4" (540 mm) D x 2-3/8" (61 mm) H	11-5/8" (296 mm) W x 17-3/4" (451 mm) D	Polymer	\$14.65 ea.
UT-15*-20	(20) Utility Trays	17-1/2" (445 mm) W x 21-1/4" (540 mm) D x 2-3/8" (61 mm) H	14-3/4" (375 mm) W x 17-3/4" (451 mm) D	Polymer	\$16.95 ea.
UT-18*-10	(10) Utility Trays	21-7/8" (556 mm) W x 21-1/4" (540 mm) D x 2-3/8" (61 mm) H	18-3/8" (467 mm) W x 17-3/4" (451 mm) D	Polymer	\$17.40 ea.

- Designed for 48" or smaller base cabinet drawers
- Trim-to-fit existing drawer
- Drop-in installation
- Polystyrene construction with textured finish, almond or white
- Up to (4) tiers
- Great for our outdoor applications



ST50-21W-52



NOTE: Trays can be ordered trimmed to your specifications for an additional charge. Ships with a clear protective coating; remove before use.

ST50-21A-52
Polymer Spice Tray
(Almond finish shown)

* - Insert (W) for White, (A) for Almond

Polymer Spice Tray

PRODUCT	DESCRIPTION	DIMS	FINISH	SLP
ST50-21*-52	Spice Tray	50" (1270 mm) W x 21" (534 mm) D x 1-7/8" (48 mm) H	Polymer	\$59.60
(12) Polymer Spice Trays				
ST50-21*-12	Spice Tray	50" (1270 mm) W x 21" (534 mm) D x 1-7/8" (48 mm) H	Polymer	\$52.80 ea.



- Designed for 24" or smaller base cabinet drawers
- Trim-to-fit existing drawer
- Easy installation
- Textured polymer available in almond, translucent or white
- Molded-in handle and rear stop
- Includes sliding rails and mounting screws



BDC24-11
Polymer Bread Drawer Cover
(White finish shown)



BDC24-15
Polymer Bread Drawer Cover
(Almond finish shown)

NOTE: Cover is textured to hide scratches. Product available in three colors. These bread drawer covers can be ordered custom cut to your drawer specifications.

** - Insert (11) for White, (15) for Almond and (20) for translucent (for an additional cost).

Polymer Bread Drawer Cover

PRODUCT	DESCRIPTION	DIMS	MIN TRIM	FINISH	SLP
BDC-200-**	BDC Kit	16-3/4" (426 mm) W x 21-3/4" (553 mm) D x 3/8" (10 mm) H	11-5/8" (295 mm) x Any Depth	Polymer	\$37.25
BDC-200-20	BDC Kit-Translucent w/ Clear Rails	16-3/4" (426 mm) W x 21-3/4" (553 mm) D x 3/8" (10 mm) H	11-5/8" (295 mm) x Any Depth	Polymer	\$61.05

Polymer Bread Drawer Cover

BDC24-**	BDC Kit	20-1/8" (511 mm) W x 21-3/4" (553 mm) D x 3/8" (10 mm) H	16-1/16" (408 mm) x Any Depth	Polymer	\$36.40
BDC24-20	BDC Kit-Translucent w/ Clear Rails	20-1/8" (511 mm) W x 21-3/4" (553 mm) D x 3/8" (10 mm) H	16-1/16" (408 mm) x Any Depth	Polymer	\$61.20

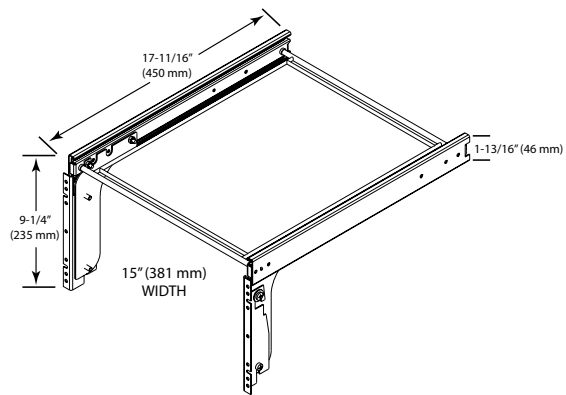
F-Channel Rail Kit

CDR-21W-A	Extra White Rails			White	\$16.70
CDR-21A-A	Extra Almond Rails			Almond	\$16.70
CDR-21C-A	Extra Clear Rails			Clear	\$23.80

- Designed for 18" base cabinet drawers with 1-1/2" face frame
- Complete drawer system
- Easy installation
- Pre-assembled door mount brackets
- Chrome-plated wire construction
- Full-extension, ball-bearing, 100 lb. slides
- Stores either letter or legal sizes
- Mounts to cabinet side wall
- Pre-assembled door mount brackets



RAS-FDSM-DM15-1



Pullout File Drawer System

PRODUCT	DESCRIPTION	DIMS	MCO	CAB	FINISH	SLP
RAS-FDSM-DM15-1	Drawer System	15" (381 mm) W x 17-3/4" (451 mm) D x 10-1/2" (267 mm) H	15" (381 mm)	B18	Polymer	\$58.30

Two-Tier File Drawer System



RAS-FD-KIT
Pullout File Drawer System

RAS-FD Series

- Designed for a standard height base 18" drawer/door cabinet
- Features full-extension, ball-bearing slides
- Heavy duty chrome plated rails
- Can store both letter and legal folders
- Door mounting brackets (sold separately)

Two-Tier File Drawer System

PRODUCT	DESCRIPTION	DIMS	MCO	CAB	FINISH	PRICE
RAS-FD-KIT	File Drawer System	14-3/4" (375 mm) W x 19-3/4" (597 mm) - 24" (610 mm) D x 22-5/8" (575 mm) H	14-1/2" (368 mm) - FF 14-7/8" (378 mm) - FL	B18	Chrome	\$99.20
RV-DM-FDKIT	(2) Door Mounting Kit				Silver	\$41.50

File Drawer System



RAS-**FD Series

- Designed for 18" and 21" base cabinet drawers
- Fits into existing drawer
- Drop-in installation
- Black, powder-coated wire construction
- RAS-LGFD includes T-rod connectors to store legal and letter sizes

Drawer Solutions

File Drawer System

PRODUCT	DESCRIPTION	DIMS	MCO	CAB	FINISH	PRICE
RAS-SMFD-52	File System-Letter	13" (330 mm) W x 19-1/4" (489 mm) D x 9-3/4" (248 mm) H	15" (381 mm)	B18	Black	\$26.70
RAS-LGFD-52	File System-Legal	15-7/8" (403 mm) W x 19-1/4" (489 mm) D x 9-3/4" (248 mm) H	18" (457 mm)	B21	Black	\$29.60





21/22.

How do you make more room in a confined space like a wall cabinet? How do you use all the space in your cabinet when you can't reach the shelves? Add Rev-A-Shelf wall accessories. Our wire, polymer and wood spice racks, storage shelves and pullouts expand your limited space.

And now, everyone can reach the shelves in your wall cabinet with our revolutionary Pull Down Shelving System. This popular kitchen convenience is one of the many innovative products introduced as Rev-A-Shelf continues to change the way you think about cabinet organization!

WALL



448-BBSCWC-6C

- Designed for 9" and 12" wall cabinets
- Natural maple construction with semi-gloss finish
- Up to (5) shelves with chrome wire accents
- Full-extension, ball-bearing, 100 lb. rated slides with soft-close
- Mounts to cabinet floor and door
- Patented door mount brackets with 5" of adjustability and micro-trim adjuster (US Patent No. 8,388,076)
- Adjustable rub bushings
- Non soft-close available
- TSCA Title VI compliant



For video visit:
rev-a-shelf.com/videos

NOTE: See page 148 for base cabinet version



Micro-Adjustment Screw for precise door alignment



Adjustable threaded rubber bushings included for custom applications.



448-BBSCWC-8C
Soft-Close Wall Cabinet Pullout
(8" version shown)



448-WC-5C
Wall Cabinet Pullout
(5" version shown)



448-BBSCWC-6C
Full Access Wall Cabinet Pullout
w/ Ball-bearing Soft-Close
(6" version shown)



448-BBSCWC-9C
Full Access Wall Cabinet Pullout
w/ Ball-bearing Soft-Close
(9" version shown)



448-BBSCWC36-5C
Face Frame 36" Tall
Wall Cabinet Pullout
(5" version shown)



448-BBSCWC36-8C
Face Frame 36" Tall
Wall Cabinet Pullout
(8" version shown)

Full Access Wall Cabinet Pullout w/ Ball-Bearing Soft-Close

PRODUCT	DESCRIPTION	DIMS	MCO	CAB	FINISH	SLP
448-BBSCWC-6C	Wall Cabinet Pullout	6-1/2" (165 mm) W x 10-3/4" (237 mm) D x 26-5/32" (664 mm) H	7-1/2" (191 mm)	FLW9	Maple	\$181.70
448-BBSCWC-9C	Wall Cabinet Pullout	9-1/2" (241 mm) W x 10-3/4" (237 mm) D x 26-5/32" (664 mm) H	10-1/2" (267 mm)	FLW12	Maple	\$214.15

Face Frame Wall Cabinet Pullout w/ Ball-Bearing Soft-Close for 36" and Taller Wall cabinets

448-BBSCWC36-5C	Wall Cabinet Pullout	5" (127 mm) W x 10-3/4" (237 mm) D x 32-5/32" (817 mm) H	5-1/2" (140 mm)	W9	Maple	\$188.35
448-BBSCWC36-8C	Wall Cabinet Pullout	8" (204 mm) W x 10-3/4" (237 mm) D x 32-5/32" (817 mm) H	8-1/2" (216 mm)	W12	Maple	\$234.30

Face Frame Wall Cabinet Pullout w/ Ball-Bearing Soft-Close for 30" and Taller Wall cabinets

448-BBSCWC-5C	Wall Pullout for 9"	5" (127 mm) W x 10-3/4" (237 mm) D x 26-5/32" (664 mm) H	5-1/2" (140 mm)	W9	Maple	\$165.75
448-BBSCWC-8C	Wall Pullout for 12"	8" (204 mm) W x 10-3/4" (237 mm) D x 26-5/32" (664 mm) H	8-1/2" (216 mm)	W12	Maple	\$191.85

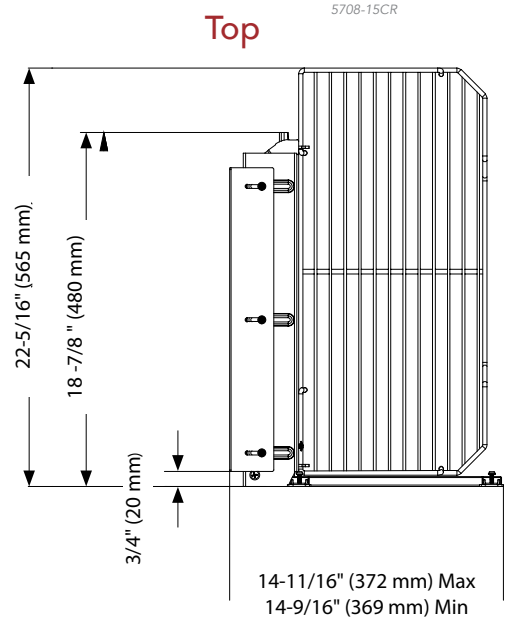
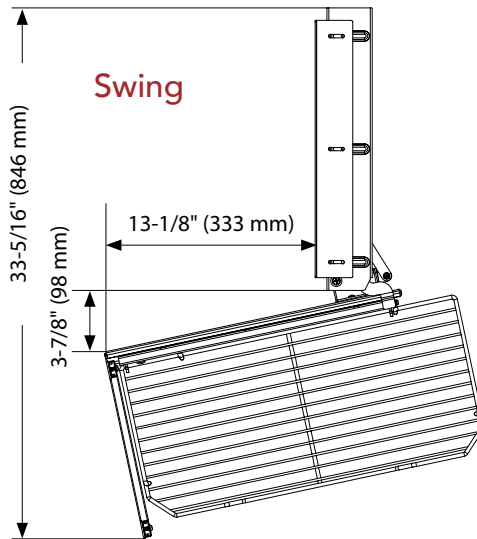
Face Frame Wall Cabinet Pullout

448-WC-5C	Wall Pullout for 9"	5" (127 mm) W x 10-3/4" (237 mm) D x 26-1/4" (667 mm) H	5-1/2" (140 mm)	W9	Maple	\$157.05
448-WC-8C	Wall Pullout for 12"	8" (204 mm) W x 10-3/4" (237 mm) D x 26-1/4" (667 mm) H	8-1/2" (216 mm)	W12	Maple	\$177.65
448-HP-523C	Wood Hood Pullout	5" (127 mm) W x 10-3/4" (237 mm) D x 23" (584 mm) H	5-1/2" (140 mm)	N/A	Maple	\$208.35

- Designed for 24" D wall cabinets
- Chrome round wire construction
- (1) wire bottom shelf
- Full-extension, ball-bearing, 75 lb. rated slides
- 45 lb. weight rating
- Universal mounting, non-handed
- Mounts to cabinet door, floor and side walls
- Pulls out of cabinet as door opens
- Adjustable door mount brackets

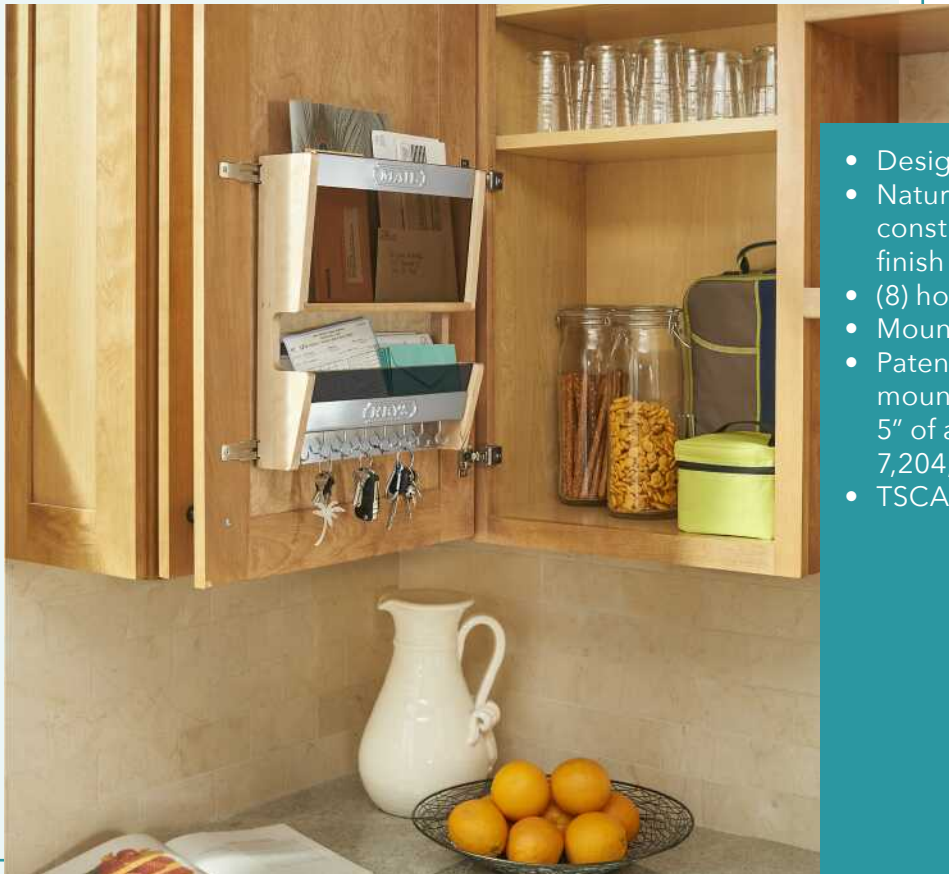


For video visit:
rev-a-shelf.com/videos



Above Appliance Pullout

PRODUCT	DESCRIPTION	DIMS	MCO	CAB	FINISH	SLP
5708-15CR	Above Appliance Pullout	13" (330 mm) W x 19" (483 mm) D x 14-3/4" (375 mm) H	14-3/4" (375 mm)	T33 Butt/ T36	Chrome	\$450.35



- Designed for 18" wall cabinets
- Natural maple or white construction with semi-gloss finish
- (8) hooks and (2) compartments
- Mounts to cabinet door
- Patented adjustable door mount brackets provide up to 5" of adjustability (US Patent No. 7,204,569)
- TSCA Title VI compliant

4MR-18-1



4MR-18W-1
Mail Organizer
(White finish shown)



For video visit:
rev-a-shelf.com/videos

Mail Organizer

PRODUCT	DESCRIPTION	DIMS	MCO	CAB	FINISH	SLP
4MR-18-1	Mail Organizer	13-1/2" (343 mm) W x 3-9/16" (90 mm) D x 15" (381 mm) H	14-1/2" (368 mm)	W18	Maple	\$92.10
4MR-18W-1	Mail Organizer	13-1/2" (343 mm) W x 3-9/16" (90 mm) D x 15" (381 mm) H	14-1/2" (368 mm)	W18	White	\$126.40

- Designed for 15", 18" and 21" wall cabinets
- Natural maple construction with semi-gloss finish
- 4-screw installation
- (3) shelves with chrome wire accents
- Holds items up to 2-1/4" D
- Mounts to cabinet door
- Patented adjustable door mount brackets provide up to 5" of adjustability (US Patent No. 7,204,569)
- TSCA Title VI compliant



4SR-18



4SR-15
Spice Rack
(15" version shown)



4SR-21
Spice Rack
(21" version shown)

NOTE: Height between shelves is 8-5/8" (219 mm)

Door Mount Spice Rack

PRODUCT	DESCRIPTION	DIMS	MCO	CAB	FINISH	SLP
4SR-15	Spice Rack	10-1/2" (267 mm) W x 3-1/8" (79 mm) D x 21-1/4" (540 mm) H	11-1/2" (292 mm)	W15	Maple	\$59.60
4SR-18	Spice Rack	13-1/2" (343 mm) W x 3-1/8" (79 mm) D x 21-1/4" (540 mm) H	14-1/2" (368 mm)	W18	Maple	\$66.10
4SR-21	Spice Rack	16-1/2" (419 mm) W x 3-1/8" (79 mm) D x 21-1/4" (540 mm) H	17-1/2" (445 mm)	W21	Maple	\$74.95

Adjustable Door Mount Spice Rack

4ASR Series



- Designed for 15", 18" and 21" wall cabinets
- Natural maple construction with semi-gloss finish
- 4-screw installation
- (3) adjustable shelves with chrome wire accents
- (2) wood standards
- Holds items up to 2-1/4" D
- Mounts to cabinet door
- Patented adjustable door mount brackets provide up to 5" of adjustability (US Patent No. 7,204,569)
- TSCA Title VI compliant

4ASR-18



4ASR-15

Adjustable Spice Rack
(15" version shown)



4ASR-21

Adjustable Spice Rack
(21" version shown)

Adjustable Door Mount Spice Rack

PRODUCT	DESCRIPTION	MCO	CAB	FINISH	SLP	
4ASR-15	Adjustable Spice Rack	10-1/8" (257 mm) W x 4" (102 mm) D x 25" (635 mm) H	12" (305 mm)	W15	Maple	\$108.45
4ASR-18	Adjustable Spice Rack	13-1/8" (333 mm) W x 4" (102 mm) D x 25" (635 mm) H	15" (381 mm)	W18	Maple	\$133.85
4ASR-21	Adjustable Spice Rack	16-1/8" (410 mm) W x 4" (102 mm) D x 25" (635 mm) H	18" (457 mm)	W21	Maple	\$159.05

Bulk Components

4ASR-25STD-20	(20) Spice Rack Standards	25" (635 mm) H			Maple	\$11.90 ea.
4ASR-31STD-20	(20) Spice Rack Standards	31" (787 mm) H			Maple	\$12.45 ea.
4ASR-37STD-20	(20) Spice Rack Standards	37" (940 mm) H			Maple	\$13.80 ea.
4ASR-15BIN-10	(10) Bins ONLY	10-1/8" (257 mm) W x 3-5/8" (92 mm) D x 3-5/8" (92 mm) H	12" (305 mm)	W15	Maple	\$29.00 ea.
4ASR-18BIN-10	(10) Bins ONLY	13-1/8" (333 mm) W x 3-5/8" (92 mm) D x 3-5/8" (92 mm) H	15" (381 mm)	W18	Maple	\$39.30 ea.
4ASR-21BIN-10	(10) Bins ONLY	16-1/8" (410 mm) W x 3-5/8" (92 mm) D x 3-5/8" (92 mm) H	18" (457 mm)	W21	Maple	\$46.55 ea.

- Designed for 12", 15" and 18" wall cabinets
- Adjustable door mounting brackets with 4" of adjustability (5365 only)
- Screw-in clips (565 only)
- White powder-coated wire or orion gray flat wire construction
- 4-screw installation
- (4) shelves w/ wire accents
- White wire top shelves are - 2-3/8" D, bottom shelf is 4-1/8" D
- Orion gray shelves are 2-15/32" D
- Holds items up to 2-1/4" D
- Mounts to cabinet door



5365-10-FOG



Adjustable door mounting brackets with 4" of adjustability (5365 only)



5365-08-FOG
Door Mount Spice rack
(Orion Gray finish shown)
4-1/16" (104 mm) between shelves



565-14-52
Door Mount Spice rack
(White finish shown)

Flat Wire Door Mount Spice Rack

PRODUCT	DESCRIPTION	DIMS	MCO	CAB	FINISH	SLP
5365-08-FOG	Spice Rack	7-7/8" (200 mm) W x 2-15/32" (63 mm) D x 23-11/32" (593 mm) H	9" (229 mm) - FF 9" (229 mm) - FL	FLW12	Orion Gray	\$121.95
5365-10-FOG	Spice Rack	10-5/8" (270 mm) W x 2-15/32" (63 mm) D x 23-11/32" (593 mm) H	12" (305 mm) - FF 12" (305 mm) - FL	FLW15	Orion Gray	\$127.60
5365-14-FOG	Spice Rack	13-5/8" (346 mm) W x 2-15/32" (63 mm) D x 23-11/32" (593 mm) H	15" (381 mm) - FF 15" (381 mm) - FL	FLW18	Orion Gray	\$137.30

Wire Door Mount Spice Rack

565-8-52	Spice Rack	7-7/8" (200 mm) W x 2-3/8" (61 mm) - 4-1/8" (105 mm) D x 21-3/8" (543 mm) H	9" (229 mm) - FF 9" (229 mm) - FL	W12	White	\$43.35
565-10-52	Spice Rack	10-5/8" (270 mm) W x 2-3/8" (61 mm) - 4-1/8" (105 mm) D x 21-3/8" (543 mm) H	12" (305 mm) - FF 12" (305 mm) - FL	W15	White	\$49.60
565-14-52	Spice Rack	13-5/8" (346 mm) W x 2-3/8" (61 mm) - 4-1/8" (105 mm) D x 21-3/8" (543 mm) H	15" (381 mm) - FF 15" (381 mm) - FL	W18	White	\$51.50

Door Mount Spice Tray

ST/6571 Series



- Available in 36" or 72" extruded trays, almond or white
- Cut-to-size
- Components include end caps, screws and adhesive (each sold separately)

NOTE: 6571-Extruded cut-to-size trays, components must be ordered separately.

** Trays available in two colors-11-White, 15-Almond

6571-36-AL-4

Door Mount Spice Tray

PRODUCT	DESCRIPTION	DIMS	FINISH	SLP
6571-36-**-4	(20) Trays	36" (914 mm) W x 2-7/16" (62 mm) D x 3-15/16" (100 mm) H	Polymer	\$13.50 ea.
6571-72-**-4	(20) Trays	72" (1829 mm) W x 2-7/16" (62 mm) D x 3-15/16" (100 mm) H	Polymer	\$32.20 ea.

Bulk Components

ST-97-**-4	(40 pr.) End Caps, Screws			\$7.55 pr.
6571-60-52	Tube of Adhesive	2 Gram		\$5.95
6571-61-52	Bottle of Adhesive	1 Ounce		\$30.90

Door Mount Foil Rack

4WFR Series



- Designed for 15", 18" and 21" wall cabinets
- Maple construction with chrome accents
- Patented adjustable door mount brackets provide up to 5" of adjustability (US Patent No: 7,204,569)
- TSCA Title VI compliant

4WFR-21-1

Door Mount Vertical Foil Rack

PRODUCT	DESCRIPTION	DIMS	MCO	CAB	FINISH	SLP
4WFR-15-1	Vertical Foil Rack	10-1/8" (257 mm) W x 4" (102 mm) D x 8" (203 mm) H	11" (279 mm)	W15	Maple	\$64.20
4WFR-18-1	Vertical Foil Rack	13-1/8" (334 mm) W x 4" (102 mm) D x 8" (203 mm) H	14" (356 mm)	W18	Maple	\$69.40
4WFR-21-1	Vertical Foil Rack	16-1/8" (410 mm) W x 4" (102 mm) D x 8" (203 mm) H	17" (432 mm)	W21	Maple	\$74.15



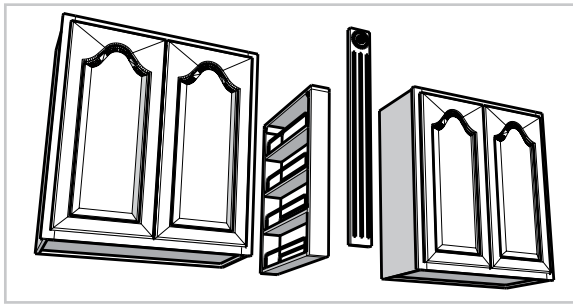
432-WF36-6C

- Available for 3" and 6" wall cabinet applications
- Create a functional storage space behind those decorative panels
- Features adjustable shelves with chrome rails
- Full-extension, ball-bearing, 100 lb. rated, soft-close slides
- Non soft-close available
- Tri-slide design provides stability
- TSCA Title VI compliant

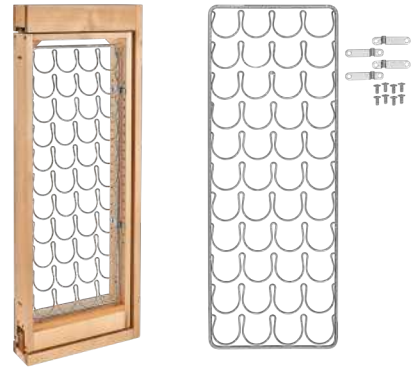
5KCUP Accessory

- Holds (44) pods
- 4-screw installation
- Not available for base cabinet application
- For 3" fillers only

NOTE: See page 141 for base cabinet version



This product installs between two cabinets. Just add your door front



5KCUP-432-1
K-Cup Accessory
(Shown installed in a 3" Wall Filler)



432-WFBBSC30-3C
Wall Cabinet Filler
(3" version shown)



432-WF33-6C
Wall Cabinet Filler
(6" version shown)



432-WFBBSC36-3C
Wall Cabinet Filler
(3" version shown)



432-WFBBSC39-6C
Wall Cabinet Filler
(6" version shown)



432-WF42-3C
Wall Cabinet Filler
(3" version shown)

Tiered Wall Filler Pullout Organizer w/ Ball-Bearing Soft-Close

PRODUCT	DESCRIPTION	DIMS	FINISH	SLP
432-WFBBSC30-3C	Tiered Filler for 3" Width	3" (76 mm) W x 11-1/8" (283 mm) D x 30" (762 mm) H	Maple	\$173.30
432-WFBBSC33-3C	Tiered Filler for 3" Width	3" (76 mm) W x 11-1/8" (283 mm) D x 33" (838 mm) H	Maple	\$179.50
432-WFBBSC36-3C	Tiered Filler for 3" Width	3" (76 mm) W x 11-1/8" (283 mm) D x 36" (914 mm) H	Maple	\$196.75
432-WFBBSC39-3C	Tiered Filler for 3" Width	3" (76 mm) W x 11-1/8" (283 mm) D x 39" (991 mm) H	Maple	\$203.60
432-WFBBSC42-3C	Tiered Filler for 3" Width	3" (76 mm) W x 11-1/8" (283 mm) D x 42" (1067 mm) H	Maple	\$207.35
432-WFBBSC30-6C	Tiered Filler for 6" Width	6" (152 mm) W x 11-1/8" (283 mm) D x 30" (762 mm) H	Maple	\$215.60
432-WFBBSC33-6C	Tiered Filler for 6" Width	6" (152 mm) W x 11-1/8" (283 mm) D x 33" (838 mm) H	Maple	\$227.50
432-WFBBSC36-6C	Tiered Filler for 6" Width	6" (152 mm) W x 11-1/8" (283 mm) D x 36" (914 mm) H	Maple	\$235.90
432-WFBBSC39-6C	Tiered Filler for 6" Width	6" (152 mm) W x 11-1/8" (283 mm) D x 39" (991 mm) H	Maple	\$241.70
432-WFBBSC42-6C	Tiered Filler for 6" Width	6" (152 mm) W x 11-1/8" (283 mm) D x 42" (1067 mm) H	Maple	\$247.10

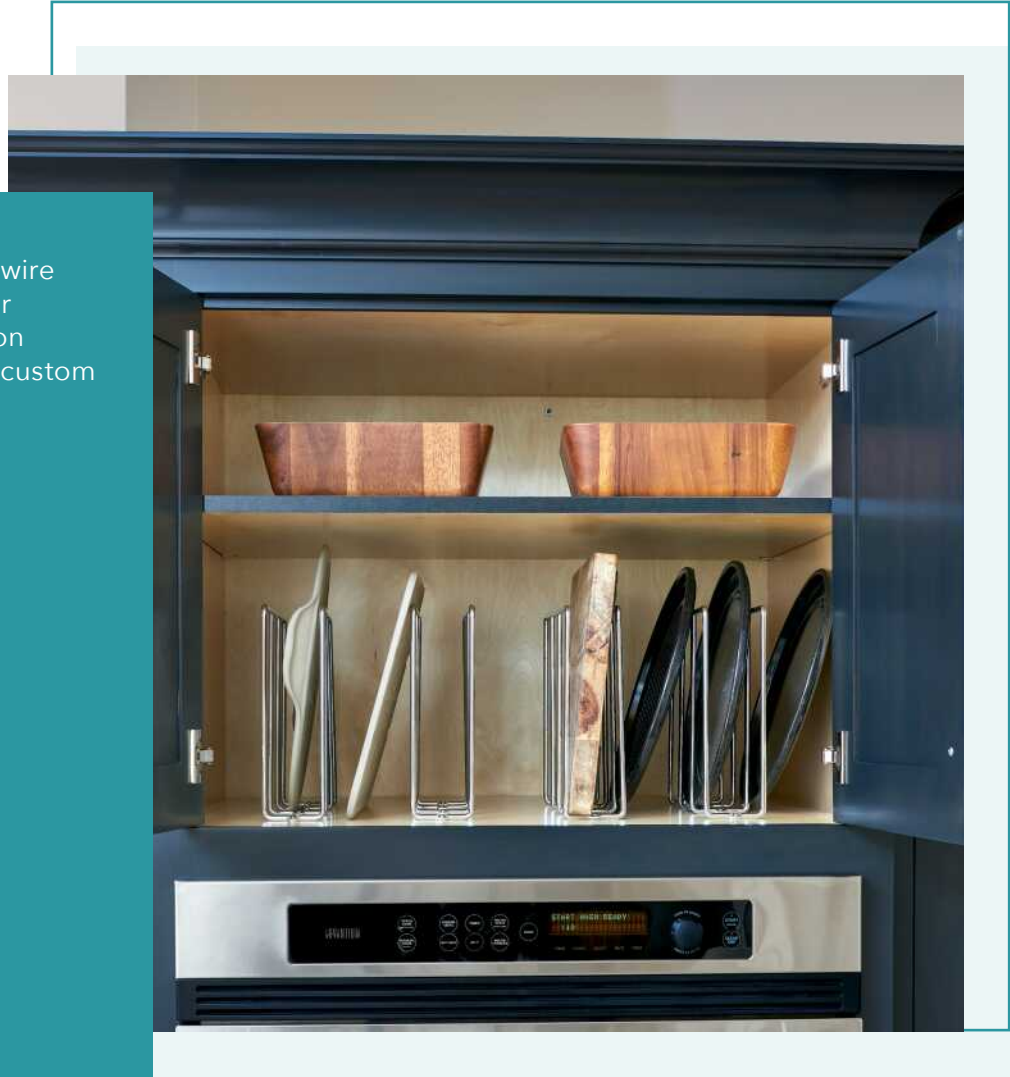
Tiered Wall Filler Pullout Organizer

432-WF-3C	Tiered Filler for 3" Width	3" (76 mm) W x 11-1/8" (283 mm) D x 30" (762 mm) H	Maple	\$171.55
432-WF33-3C	Tiered Filler for 3" Width	3" (76 mm) W x 11-1/8" (283 mm) D x 33" (838 mm) H	Maple	\$167.70
432-WF36-3C	Tiered Filler for 3" Width	3" (76 mm) W x 11-1/8" (283 mm) D x 36" (914 mm) H	Maple	\$187.50
432-WF39-3C	Tiered Filler for 3" Width	3" (76 mm) W x 11-1/8" (283 mm) D x 39" (991 mm) H	Maple	\$188.50
432-WF42-3C	Tiered Filler for 3" Width	3" (76 mm) W x 11-1/8" (283 mm) D x 42" (1067 mm) H	Maple	\$199.80
432-WF-6C	Tiered Filler for 6" Width	6" (152 mm) W x 11-1/8" (283 mm) D x 30" (762 mm) H	Maple	\$213.30
432-WF33-6C	Tiered Filler for 6" Width	6" (152 mm) W x 11-1/8" (283 mm) D x 33" (838 mm) H	Maple	\$207.45
432-WF36-6C	Tiered Filler for 6" Width	6" (152 mm) W x 11-1/8" (283 mm) D x 36" (914 mm) H	Maple	\$228.50
432-WF39-6C	Tiered Filler for 6" Width	6" (152 mm) W x 11-1/8" (283 mm) D x 39" (991 mm) H	Maple	\$234.15
432-WF42-6C	Tiered Filler for 6" Width	6" (152 mm) W x 11-1/8" (283 mm) D x 42" (1067 mm) H	Maple	\$241.15

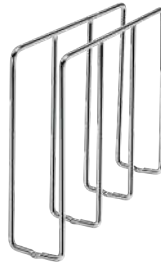
Accessories

5KCUP-432-1	K-Cup Accessory	Fits all 432 series 3" Wall Fillers	Chrome	\$31.20
-------------	-----------------	-------------------------------------	--------	---------

- Available in 10" height
- Chrome-plated round wire
- Mounts to cabinet floor
- Easy 4-screw installation
- Use multiple to create custom storage space



Wall Solutions



596-10CR-52
U-Shaped Tray Divider

Chrome Wire U-Shaped Tray Organizer

PRODUCT	DESCRIPTION	DIMS	MCO	FINISH	SLP
596-10CR-52	U-Shaped Tray Divider	3" (76 mm) W x 11-7/8" (302 mm) D x 10" (254 mm) H	3-1/4" (83 mm)	Chrome	\$20.60



- Available in 12" and 18" height
- Chrome-plated or powder-coated white round wire
- Mount to cabinet floor and rear wall
- Includes (4) screw-in clips and fasteners each
- Use multiple to create custom storage space

597-18-CR

White Wire Tray Divider

PRODUCT	DESCRIPTION	DIMS	FINISH	SLP
597-12-52	Tray Divider with Clips	3/4" (19 mm) W x 20" (508 mm) D x 12" (305 mm) H	White Wire	\$9.85

(10) White Wire Tray Dividers

597-12-10	(10) Tray Dividers with Clips	3/4" (19 mm) W x 20" (508 mm) D x 12" (305 mm) H	White Wire	\$7.55 ea.
-----------	-------------------------------	--	------------	------------

Chrome Wire Tray Divider

597-12CR-52	Tray Divider with Clips	3/4" (19 mm) W x 20" (508 mm) D x 12" (305 mm) H	Chrome Wire	\$13.50
-------------	-------------------------	--	-------------	---------

(10) Chrome Wire Tray Dividers

597-12CR-10	(10) Tray Dividers with Clips	3/4" (19 mm) W x 20" (508 mm) D x 12" (305 mm) H	Chrome Wire	\$10.90 ea.
-------------	-------------------------------	--	-------------	-------------

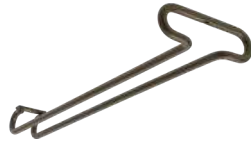


3250SN, 3150-11SN

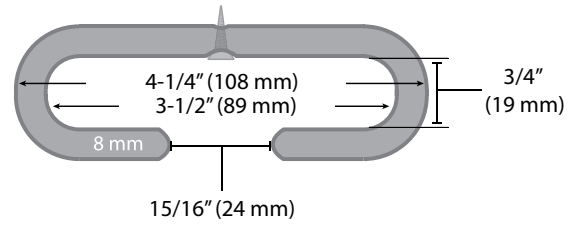
- Available in single 11", 16" and 18" rack
- Heavy gauge wire construction
- Hidden mounting
- Easy installation
- Available in chrome, satin nickel, brass and oil-rubbed bronze
- Quad 11" includes (4) single racks fused together for ease of installation



3150-11BR
11" Stemware Rack
(Brass finish shown)



3150-16ORB
16" Stemware Rack
(Oil-Rubbed Bronze finish shown)



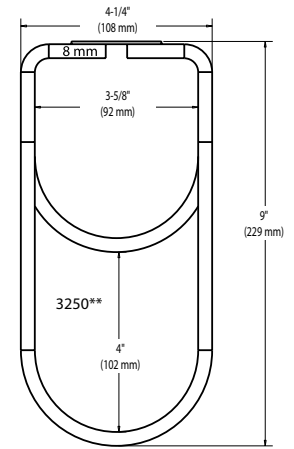
3450-11SN
Quad Stemware Rack
(Satin Nickel finish shown)



3150-18CR
18" Stemware Rack
(Chrome finish shown)



3250SN
Double Bottle Rack
(Satin Nickel finish shown)



Wine and Stemware Rack

PRODUCT	DESCRIPTION	DIMS	FINISH	SLP
3150-11CR	11" Stemware Rack	4-1/4" (108 mm) W x 11" (280 mm) D x 1-1/2" (38 mm) H	Chrome	\$10.00
3150-16CR	16" Stemware Rack	4-1/4" (108 mm) W x 16" (407 mm) D x 1-1/2" (38 mm) H	Chrome	\$11.75
3150-18CR	18" Stemware Rack	4-1/4" (108 mm) W x 18" (457 mm) D x 1-1/2" (38 mm) H	Chrome	\$13.20
3250CR	Double Bottle Rack	4-1/4" (108 mm) W x 9" (229 mm) H x 5/8" (16 mm) Thick	Chrome	\$16.70
3450-11CR	11" Quad Stemware Rack	17" (432 mm) W x 11" (280 mm) D x 1-1/2" (38 mm) H	Chrome	\$36.10

Wine and Stemware Rack

3150-11SN	11" Stemware Rack	4-1/4" (108 mm) W x 11" (280 mm) D x 1-1/2" (38 mm) H	Satin Nickel	\$11.45
3150-16SN	16" Stemware Rack	4-1/4" (108 mm) W x 16" (407 mm) D x 1-1/2" (38 mm) H	Satin Nickel	\$13.50
3150-18SN	18" Stemware Rack	4-1/4" (108 mm) W x 18" (457 mm) D x 1-1/2" (38 mm) H	Satin Nickel	\$15.10
3250SN	Double Bottle Rack	4-1/4" (108 mm) W x 9" (229 mm) H x 5/8" (16 mm) Thick	Satin Nickel	\$18.85
3450-11SN	11" Quad Stemware Rack	17" (432 mm) W x 11" (280 mm) D x 1-1/2" (38 mm) H	Satin Nickel	\$42.35

Wine and Stemware Rack

3150-11BR	11" Stemware Rack	4-1/4" (108 mm) W x 11" (280 mm) D x 1-1/2" (38 mm) H	Brass	\$11.75
3150-16BR	16" Stemware Rack	4-1/4" (108 mm) W x 16" (407 mm) D x 1-1/2" (38 mm) H	Brass	\$14.05
3150-18BR	18" Stemware Rack	4-1/4" (108 mm) W x 18" (457 mm) D x 1-1/2" (38 mm) H	Brass	\$15.80
3250BR	Double Bottle Rack	4-1/4" (108 mm) W x 9" (229 mm) H x 5/8" (16 mm) Thick	Brass	\$19.55
3450-11BR	11" Quad Stemware Rack	17" (432 mm) W x 11" (280 mm) D x 1-1/2" (38 mm) H	Brass	\$44.10

Wine and Stemware Rack

3150-11ORB	11" Stemware Rack	4-1/4" (108 mm) W x 11" (280 mm) D x 1-1/2" (38 mm) H	Oil-Rubbed Bronze	\$13.35
3150-16ORB	16" Stemware Rack	4-1/4" (108 mm) W x 16" (407 mm) D x 1-1/2" (38 mm) H	Oil-Rubbed Bronze	\$15.10
3150-18ORB	18" Stemware Rack	4-1/4" (108 mm) W x 18" (457 mm) D x 1-1/2" (38 mm) H	Oil-Rubbed Bronze	\$16.80
3250ORB	Double Bottle Rack	4-1/4" (108 mm) W x 9" (229 mm) H x 5/8" (16 mm) Thick	Oil-Rubbed Bronze	\$23.65
3450-11ORB	11" Quad Stemware Rack	17" (432 mm) W x 11" (280 mm) D x 1-1/2" (38 mm) H	Oil-Rubbed Bronze	\$47.55



SPD-36FOG

- Designed for 24" and 36" wall cabinets
- Chrome-plated metal frame
- (2) configurations
 - Wire bottom shelves with chrome wire accents
 - Solid bottom walnut shelves with satin finish with orion gray flat wire accents
- Mounts to cabinet floor and side walls
- Side and bottom mount brackets
- Gas-assisted lifting/lowering mechanism
- Locks into down position for hands-free accessibility
- Pulls down 11-1/2" and out 16-3/4"
- TSCA Title VI compliant



For video visit:
rev-a-shelf.com/videos

NOTE: Weight capacity: 5PD-24CRN: 17 lb., 5PD-36CRN: 26 lb.



Can be side or bottom mounted



Locks into lowered position



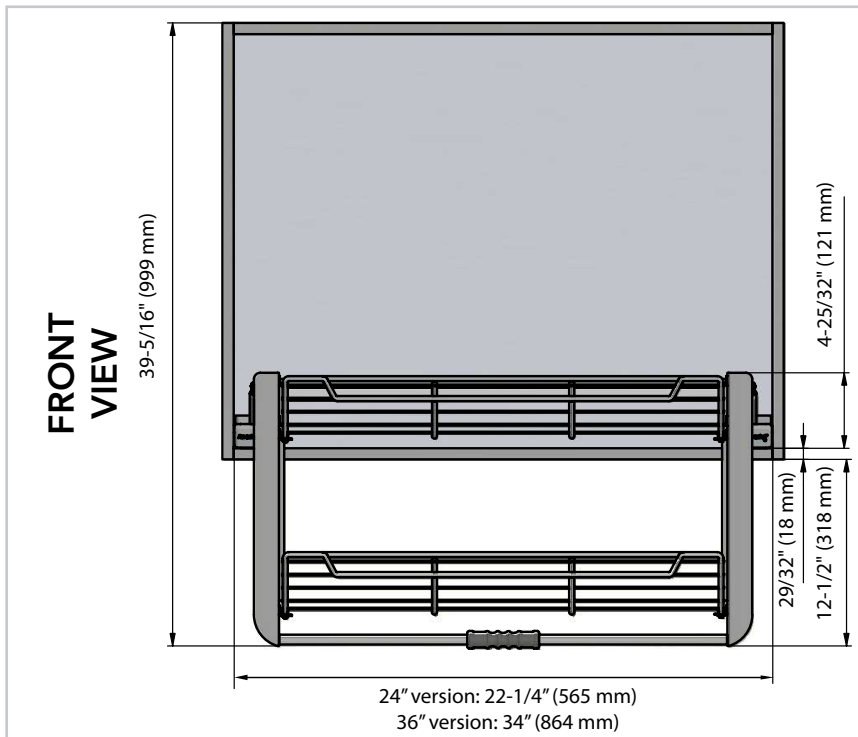
5PD-24CRN
Pull Down Shelving System
(24" version shown)



5PD-36CRN
Pull Down Shelving System
(36" version shown)



5PD-24FOG
Solid Bottom Pull Down
Shelving System
(24" version shown)

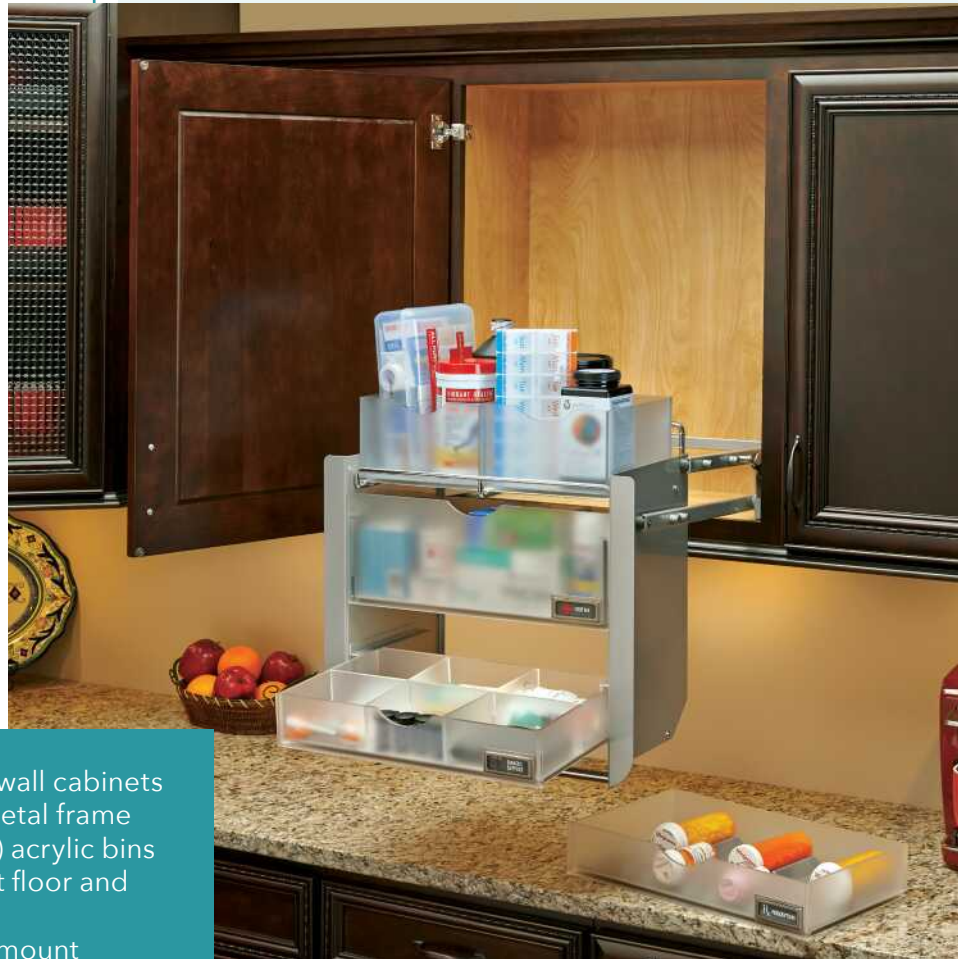


Pull Down Shelving System

PRODUCT	DESCRIPTION	DIMS	MCOFL	MCOFF	CAB	FINISH	SLP
5PD-24CRN	Pull Down System	22-1/4" (565 mm) W x 10-1/8" (257 mm) D x 18-3/8" (467 mm) H	22-1/2" (572 mm)	21" (534 mm)	W24	Silver/Chrome	\$535.35
5PD-36CRN	Pull Down System	34" (864 mm) W x 10-1/8" (257 mm) D x 18-3/8" (467 mm) H	34-1/2" (876 mm)	33" (838 mm)	W36	Silver/Chrome	\$567.25

Solid Bottom Pull Down Shelving System

5PD-24FOG	Pull Down System	22-1/4" (565 mm) W x 10-1/8" (257 mm) D x 18-7/32" (463 mm) H	22-1/2" (572 mm)	21" (534 mm)	FLW24	Orion Gray/ Walnut	\$572.60
5PD-36FOG	Pull Down System	34" (864 mm) W x 10-1/8" (257 mm) D x 18-7/32" (463 mm) H	34-1/2" (876 mm)	33" (838 mm)	FLW36	Orion Gray/ Walnut	\$629.90



5UPD-24CRN

- Designed for 24" wall cabinets
- Chrome-plated metal frame
- (3) shelves with (4) acrylic bins
- Mounts to cabinet floor and side walls
- Side and bottom mount brackets
- Gas-assisted lifting/lowering mechanism
- Locks into down position for hands-free accessibility
- Pulls down 11-1/2" and out 16-3/4"
- Drop-in dividers, scalloped inserts and labels



For video visit:
rev-a-shelf.com/videos

NOTE: Weight capacity: 13 lb.



Spices



Beverages



Pet Station



Scalloped inserts for medical or spice bottles



Pre-printed and customizable labels

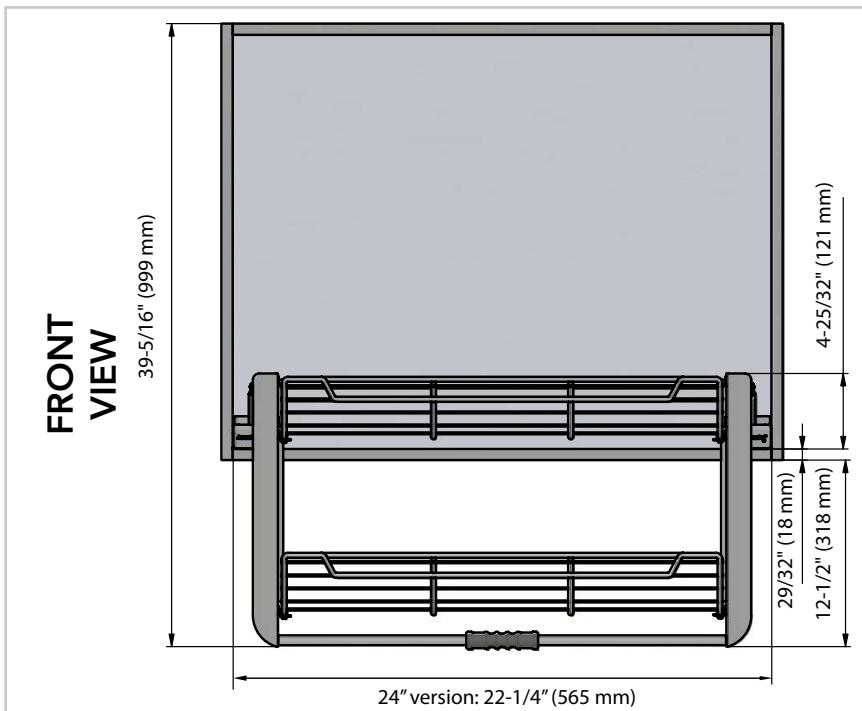


Side Mounted

UNIVERSAL pull-down



5UPD-24CRN
Universal Pull Down



Universal Pull Down Shelving System

PRODUCT	DESCRIPTION	DIMS	MCOFL	MCOFF	CAB	FINISH	SLP
5UPD-24CRN	Pull Down	22-1/4" (566 mm) W x 10-1/8" (257 mm) D x 21-1/2" (546 mm) H	22-1/2" (572 mm)	21" (533 mm)	W24	Metal/Chrome	\$977.30

- Designed for 3" wall cabinet applications
- Natural maple construction with semi-gloss finish
- (1) shelf with chrome wire accents
- Full-extension, ball-bearing, 100 lb. rated slides
- Mounts between cabinets
- Magnetic grade stainless steel panel
- Variety of adjustable hooks and pegs
- Additional accessory hooks and pegs available (sold separately, pg. 145)
- TSCA Title VI compliant



434-WF-3SS



434-WF-3SS
Wall Filler Pullout
(3" version shown)

NOTE: See page 144 for base cabinet version

Perforated Wall Filler Organizer Pullout w/ Stainless Steel Panel

PRODUCT	DESCRIPTION		FINISH	SLP
434-WF-3SS	3" Perforated Filler Organizer	3" (76 mm) W x 11-1/8" (283 mm) D x 30" (762 mm) H	Maple	\$266.05



- Designed for full height 12" wall cabinets
- Natural maple construction with semi-gloss finish
- (1) shelf with chrome wire accents
- (2) Slide configurations
 - Full-extension, ball-bearing slides
 - Full-extension, ball-bearing slides with soft-close
- Mounts to cabinet door and floor
- Patented door mount brackets with 5" of adjustability and micro-trim adjuster (US Patent No. 8,388,076)
- Magnetic grade stainless steel panel
- Variety of adjustable hooks and pegs
- Adjustable rub bushings
- Additional accessory hooks and pegs available (sold separately pg. 145)
- TSCA Title VI compliant

444-WC-5SS



444-WC-5SS
Perforated Wall Pullout

NOTE: See page 147 for base cabinet version


Perforated Wall Organizer Pullout w/ Stainless Steel Panel

PRODUCT	DESCRIPTION	MCO	CAB	FINISH	SLP
444-WC-5SS	Wall Pullout 5" (127 mm) W x 10-3/4" (273 mm) D x 26-1/4" (667 mm) H	5-1/4" (133 mm)	W9	Maple	\$239.85

Perforated Wall Organizer Pullout w/ Stainless Steel Panel w/ Ball-Bearing Soft-Close

444-BBSCWC-5SS	Wall Pullout 5" (127 mm) W x 10-3/4" (273 mm) D x 26-1/4" (667 mm) H	5-1/4" (133 mm)	W9	Maple	\$277.25
----------------	--	-----------------	----	-------	----------



PROP 65 WARNING FOR CALIFORNIA RESIDENTS
 **WARNING:** These products can expose you to chemicals such as formaldehyde, lead or styrene, which are known to the State of California to cause cancer and birth defects or other reproductive harm. For more information go to www.P65Warnings.ca.gov



21/22.

Let's face it – the bathroom is usually one of the hardest areas to keep tidy with all those odds and ends...at least, it used to be. Now organizing your bathroom is easy with all the storage solutions in Rev-A-Shelf's Bathroom and Vanity Accessory line. Hide your unsightly garbage with a pullout waste container, keep dirty clothes off the floor with a removable pullout hamper, expand your bathroom drawer, neatly arrange make-up and more with a cosmetic organizer and power-up your vanity with an electrical drawer or pullout. The choices are limitless. In this section, you'll find everything you need to keep your bathroom organized.

VANITY

445-VB Series

Vanity Outlet Grooming Organizer Pullout



- Designed for face frame 12" full-height vanity 1-3/4", 1-1/2" and 1-5/8" cabinets
- Natural maple construction with semi-gloss finish
- (2) shelves with acrylic accents
- Full-extension, TANDEM, 110 lb. rated slides with BLUMOTION soft-close
- Patented foldable slide set for easy installation (US Patent No. 10,799,020)
- Mounts to cabinet door, floor and side
- Patented door mount brackets provide 5" of adjustability and include micro-trim adjuster (US Patent No. 8,388,076)
- Non-skid vinyl lining
- (2) removable stainless-steel bins
- In-drawer receptacle with (2) 120V plugs
- Tamper-resistant outlets
- Max Current: AC: 12 amps @ 120VAC
- UL Recognized to UL962/CSA-C22.2 no. 0-10
- Power cord with NEMA 5 - 15 plug
- Integrated cord guide ensures safe operation
- Drawer stop prevents items from being stored "ON" inside the cabinet
- Its end-use determines the overall safety of this product
- TSCA Title VI compliant



445-VBOSC-8C



445-VBOSC-8C
Outlet Grooming Organizer



For video visit:
rev-a-shelf.com/videos



Face Frame Vanity Outlet Grooming Organizer Pullout w/ BLUMOTION Soft-Close

PRODUCT	DESCRIPTION	DIMS	MCO	CAB	FINISH	SLP
445-VBOSC-8C	Grooming Organizer	9-9/32" (236 mm) W x 19-3/4" (501 mm) D x 26-1/8" (664 mm) H	8-1/2" (216 mm) - FF 9-1/2" (241 mm) - FL	FHVB12	Maple	\$732.10

Vanity Outlet Drawer

4VOD Series



- Designed for 18" base cabinet drawers
- Natural maple construction with semi-gloss finish
- (2) compartments
- (2) stainless-steel bins
- Full-extension, TANDEM, 110 lb. rated, concealed slides with BLUMOTION soft-close
- In-drawer receptacle with (2) 120V plugs
- Tamper resistant outlets
- Max Current: AC: 12 amps @ 120VAC
- UL Recognized to UL962/CSA-C22.2 No. 0-10
- Power cord with NEMA 5 - 15 plug
- Integrated cord guide ensures safe operation
- Door mounting brackets
- Anti-skid lining
- Drawer front (NOT) included
- The overall safety of this product is determined by its end use
- TSCA Title VI compliant

4VOD-18SC-1



For video visit:
rev-a-shelf.com/videos

4VOD-18SC-1 & 4VOD-18FLSC-1
Vanity Outlet Drawer



Full Access Vanity Outlet Drawer w/ BLUMOTION Soft-Close

PRODUCT	DESCRIPTION	DIMS	MCO	CAB	FINISH	SLP
4VOD-18FLSC-1	Vanity Outlet Drawer	16-1/2" (419 mm) W x 20-1/8" (511 mm) D x 8-15/16" (227 mm) H	16-1/2" (419 mm)	FLVB18	Maple	\$482.25

Face Frame Vanity Outlet Drawer w/ BLUMOTION Soft-Close

4VOD-18SC-1	Vanity Outlet Drawer	15" (381 mm) W x 20-1/8" (511 mm) D x 8-15/16" (227 mm) H	15" (381 mm)	VB18	Maple	\$487.95
-------------	----------------------	---	--------------	------	-------	----------

- Designed for 22" or smaller vanity cabinet drawers
- Natural maple construction with semi-gloss finish
- Trim-to-fit existing drawer
- Drop-in installation
- Anti-skid vinyl lining
- Up to (13) compartments
- (2) clear acrylic lids
- TSCA Title VI compliant



4VCOS-22-1



4VCOS-22-1
Vanity Drawer Organizer Insert



For video visit:
rev-a-shelf.com/videos

22" Vanity Drawer Organizer Insert

PRODUCT	DESCRIPTION	DIMS	FINISH	SLP
4VCOS-22-1	Vanity Drawer Organizer	21-3/4" (552 mm) W x 21-1/8" (536 mm) D x 2" (53 mm) H	Maple	\$134.70



- Designed for 15" vanity base cabinets
- Scale clip holds a min. thickness of 0.8" to 2.0" max.
- Natural maple frame with semi-gloss finish
- Torsion spring with non-skid coating
- Patented adjustable door mount brackets provide up to 5" of adjustability (US Patent No. 7,204,569)
- TSCA Title VI compliant

4SH-15-1



Can be used for a multitude of things such as cutting boards, cook books and more.

4SH-15-1
Scale Holder



For video visit:
rev-a-shelf.com/videos

Scale Holder

PRODUCT	DESCRIPTION	DIMS	MCO	CAB	FINISH	SLP
4SH-15-1	Scale Holder	10-1/2" (266 mm) W x 3-5/8" (91 mm) D x 12-1/2" (318 mm) H	12" (305 mm)	VB15	Chrome/Maple	\$58.40

4HD Series

Vanity Appliance Storage Rack

- Designed for 30" vanity base (butt door) cabinets
- Natural maple frame with semi-gloss finish
- Mounts to cabinet door
- Non-skid lining on lower level shelf
- (2) 1.25 qt. stainless steel bins
- Patented adjustable door mount brackets provide up to 5" of adjustability (US Patent No. 7,204,569)
- TSCA Title VI compliant



4HD-15-1



4HD-15-1

Vanity Appliance Storage Rack



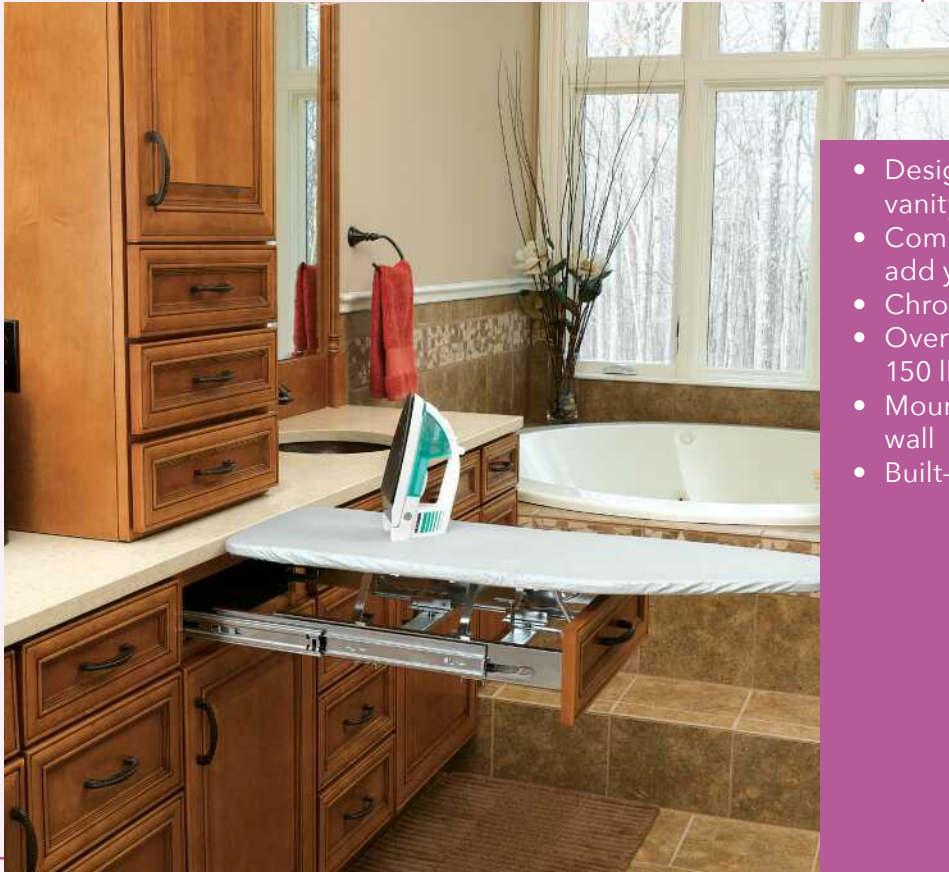
For video visit:
rev-a-shelf.com/videos

Vanity Appliance Storage Rack

PRODUCT	DESCRIPTION	DIMS	MCO	CAB	FINISH	SLP
4HD-15-1	Storage Rack	10-3/4" (273 mm) W x 6" (152 mm) D x 13-7/8" (352 mm) H	12-3/8" (314 mm)	SB30 Butt	Maple	\$76.85

Pullout Ironing Board

VIB Series



- Designed for 14-1/2" to 21" vanity cabinet drawer openings
- Complete drawer system, just add your drawer front
- Chrome-plated metal frame
- Over-extension, ball-bearing, 150 lb. rated slides
- Mounts to cabinet side and rear wall
- Built-in ironing board

VIB-20CR

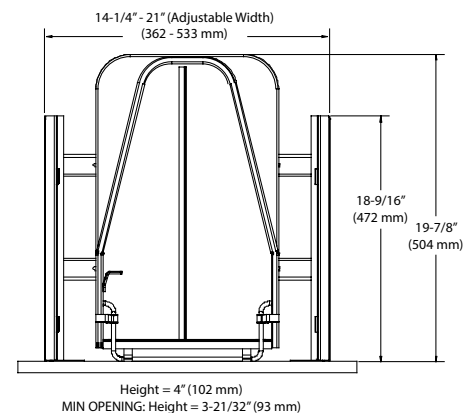


Solid surface counter overlays
CANNOT exceed 1-1/4"



VIB-20CR
Vanity Pullout Ironing Board

See closet section page 332 for more ironing board solutions



Vanity Solutions

NOTE: Not Compatible with inset cabinetry

Vanity Pullout Ironing Board

PRODUCT	DESCRIPTION	DIMS	MCO	CAB	FINISH	SLP
VIB-20CR	Pullout Ironing Board	See drawings for detailed specifications.	14-1/4" (362 mm)	VB18	Chrome	\$288.55
RAS-VIB-COVER-52	Replacement Cover				Silver	\$22.75



- Designed for 12", 15" and 18" vanity base cabinet drawers
- Complete drawer system, just add your drawer front
- Easy installation
- Natural maple construction with semi-gloss finish
- Full-extension, TANDEM, 110 lb. rated, concealed slides with BLUMOTION soft-close
- Up to (7) compartments and up to (5) acrylic bins
- Non-skid vinyl lining
- Mounts to cabinet side and rear wall
- Figure 8 door mounting brackets
- TSCA Title VI compliant



4VDO-15SC-1



4VDOHT-15SC-1
Half-Tier Vanity Drawer
(15" version shown)



4VDOHT-15SC-1
Tiered Vanity Drawer
(12" Full access version shown)



Half-tiered drawers allow taller products to be stored in front of drawer



For video visit:
rev-a-shelf.com/videos

Full Access Vanity Drawer w/ BLUMOTION Soft-Close

PRODUCT	DESCRIPTION	DIMS	MCO	CAB	FINISH	SLP
4VDO-267FLSC-1	Single Drawer	10-1/2" (267 mm) W x 18-11/16" (474 mm) D x 4-5/16" (109 mm) H	10-1/2" (267 mm)	FLVB12	Maple	\$173.70
4VDOHT-267FLSC-1	Tiered Drawer	10-1/2" (267 mm) W x 18-11/16" (474 mm) D x 8" (204 mm) H	10-1/2" (267 mm)	FLVB12	Maple	\$247.10
4VDOHT-267FLSC-1	Half-Tiered Drawer	10-1/2" (267 mm) W x 18-11/16" (474 mm) D x 8" (204 mm) H	10-1/2" (267 mm)	FLVB12	Maple	\$238.10
4VDO-343FLSC-1	Single Drawer	13-1/2" (343 mm) W x 18-11/16" (474 mm) D x 4-5/16" (109 mm) H	13-1/2" (343 mm)	FLVB15	Maple	\$194.60
4VDOHT-343FLSC-1	Tiered Drawer	13-1/2" (343 mm) W x 18-11/16" (474 mm) D x 8" (204 mm) H	13-1/2" (343 mm)	FLVB15	Maple	\$275.95
4VDOHT-343FLSC-1	Half-Tiered Drawer	13-1/2" (343 mm) W x 18-11/16" (474 mm) D x 8" (204 mm) H	13-1/2" (343 mm)	FLVB15	Maple	\$257.65
4VDO-419FLSC-1	Single Drawer	16-1/2" (419 mm) W x 18-11/16" (474 mm) D x 4-5/16" (109 mm) H	16-1/2" (419 mm)	FLVB18	Maple	\$215.30
4VDOHT-419FLSC-1	Tiered Drawer	16-1/2" (419 mm) W x 18-11/16" (474 mm) D x 8" (204 mm) H	16-1/2" (419 mm)	FLVB18	Maple	\$304.35
4VDOHT-419FLSC-1	Half-Tiered Drawer	16-1/2" (419 mm) W x 18-11/16" (474 mm) D x 8" (204 mm) H	16-1/2" (419 mm)	FLVB18	Maple	\$272.00

Face Frame Vanity Drawer w/ BLUMOTION Soft-Close

4VDO-12SC-1	Single Drawer	9" (228 mm) W x 18-11/16" (474 mm) D x 4-5/16" (109 mm) H	9" (229 mm)	VB12	Maple	\$166.45
4VDOHT-12SC-1	Tiered Drawer	9" (228 mm) W x 18-11/16" (474 mm) D x 8" (204 mm) H	9" (229 mm)	VB12	Maple	\$233.30
4VDOHT-12SC-1	Half-Tiered Drawer	9" (228 mm) W x 18-11/16" (474 mm) D x 8" (204 mm) H	9" (229 mm)	VB12	Maple	\$221.40
4VDO-15SC-1	Single Drawer	12" (304 mm) W x 18-11/16" (474 mm) D x 4-5/16" (109 mm) H	12" (305 mm)	VB15	Maple	\$185.60
4VDOHT-15SC-1	Tiered Drawer	12" (304 mm) W x 18-11/16" (474 mm) D x 8" (204 mm) H	12" (305 mm)	VB15	Maple	\$262.00
4VDOHT-15SC-1	Half-Tiered Drawer	12" (304 mm) W x 18-11/16" (474 mm) D x 8" (204 mm) H	12" (305 mm)	VB15	Maple	\$244.05
4VDO-18SC-1	Single Drawer	15" (380 mm) W x 18-11/16" (474 mm) D x 4-5/16" (109 mm) H	15" (381 mm)	VB18	Maple	\$205.90
4VDOHT-18SC-1	Tiered Drawer	15" (380 mm) W x 18-11/16" (474 mm) D x 8" (204 mm) H	15" (381 mm)	VB18	Maple	\$286.40
4VDOHT-18SC-1	Half-Tiered Drawer	15" (380 mm) W x 18-11/16" (474 mm) D x 8" (204 mm) H	15" (381 mm)	VB18	Maple	\$265.65

U-Shaped Vanity Pullout

486 Series



- Designed for 30" vanity sink base cabinets
- Natural maple construction with semi-gloss finish
- Full-extension, TANDEM, 90 lb. rated slides with BLUMOTION soft-close
- Mounts to cabinet floor or side walls
- Side and bottom mount brackets
- (4) adjustable dividers, (1) 8 L waste container w/ white lid (BM), or (4) adjustable dividers and (2) removable polycarbonate bins (SM)
- Non-skid vinyl lining
- TSCA Title VI compliant

486-30VSB-C-BM-1



Can be door mounted



486-30VSB-C-BM-1
Maple U-Shaped Pullout
w/ (4) Adjustable Dividers and
(1) 8 L Container
(Bottom mount unit shown)



486-30VSB-C-SM-1
Maple U-Shaped Pullout
w/ (4) Adjustable Dividers and
(2) Acrylic Bins
(Side mount unit shown)



For video visit:
rev-a-shelf.com/videos

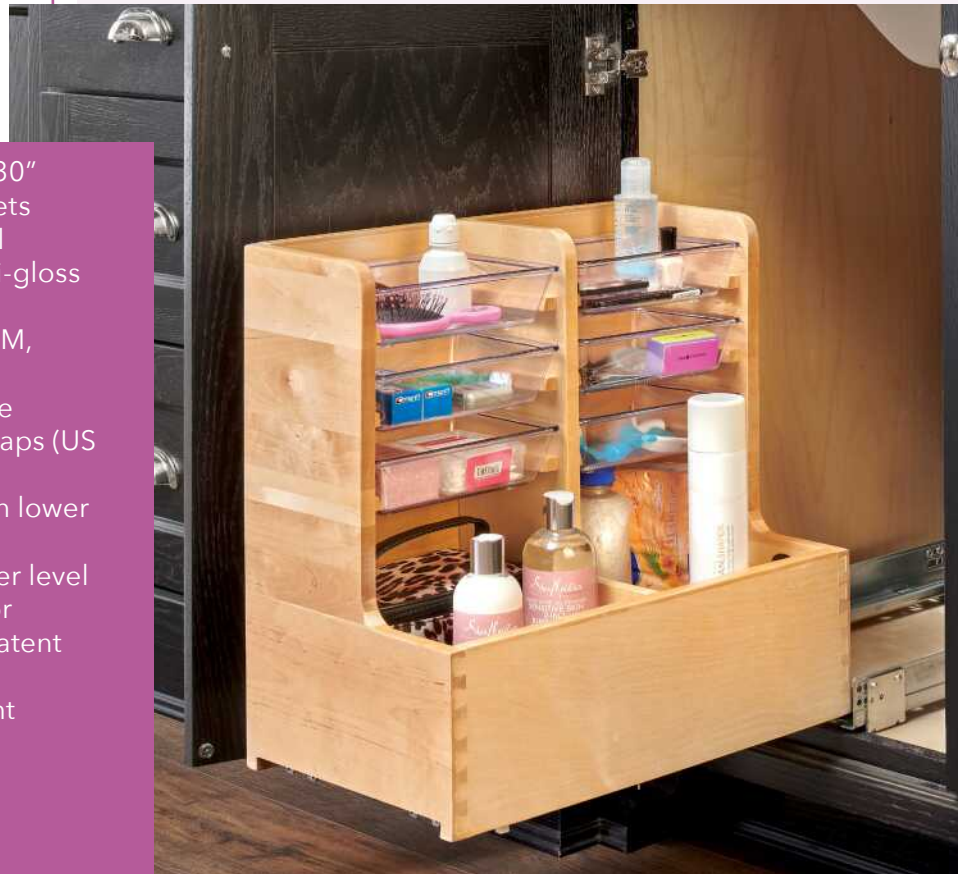
Vanity
Solutions

U-Shaped Vanity Pullout w/ BLUMOTION Soft-Close

PRODUCT	DESCRIPTION	DIMS	MCO	CAB	FINISH	SLP
486-30VSB-C-BM-1	Bottom Mount	25-11/16" (652 mm) W x 18-11/16" (474 mm) D x 14-1/4" (362 mm) H	24-3/4" (629 mm) - FF 25-3/4" (654 mm) - FL	VSB30	Maple	\$297.55
486-30VSB-C-SM-1	Side Mount	27-9/16" (700 mm) - 28-3/4" (730 mm) W x 19" (483 mm) D x 6-1/2" (165 mm) H	24-3/4" (629 mm) - FF 27-9/16" (700 mm) - FL	VSB30	Maple	\$278.25



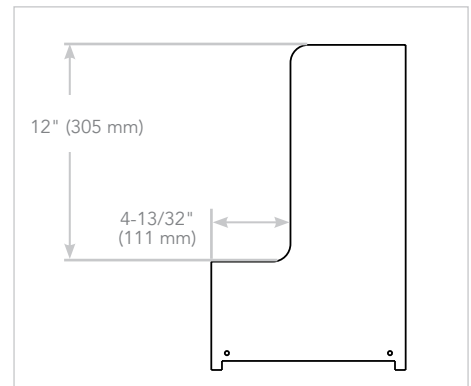
- Designed for 24" and 30" vanity sink base cabinets
- Natural maple dovetail construction with semi-gloss finish
- Full-extension, TANDEM, 90 lb. rated slides with BLUMOTION soft-close
- Patented mounting straps (US Patent No. 9,756,941)
- Anti-skid vinyl lining on lower level
- (6) acrylic bins for upper level
- Mounts to cabinet floor
- Patented design (US Patent No. D854,359)
- TSCA Title VI compliant



441-15VSBSC-1



441-12VSBSC-1
Vanity Organizer for 24"



PIPE CLEARANCE DIMENSIONS
(For both units)



For video visit:
rev-a-shelf.com/videos

L-Shaped Vanity Organizer w/ BLUMOTION Soft-Close

PRODUCT	DESCRIPTION	DIMS	MCO	CAB	FINISH	SLP
441-12VSBSC-1	Vanity Organizer for 24"	8-3/4" (223 mm) W x 18-3/4" (477 mm) D x 18-7/8" (479 mm) H	9-1/4" (235 mm)	VBS24	Maple	\$308.15
441-15VSBSC-1	Vanity Organizer for 36"	11-11/16" (296 mm) W x 18-3/4" (477 mm) D x 18-7/8" (479 mm) H	12-5/32" (309 mm)	VSB30	Maple	\$370.90



- Designed for 12", 15", 18", 21" and 24" vanity base cabinets
- Natural maple frame with semi-gloss finish
- (2) non-skid vinyl shelves with acrylic accents
- Mounts to cabinet door
- Patented adjustable door mount brackets provide up to 5" of adjustability (US Patent No. 7,204,569)
- TSCA Title VI compliant

4VR-12-1



Patented adjustable mounting brackets (US Patent No. 7,204,569)



4VR-12-1
Vanity Storage Rack
(12" version shown)



4VR-21-1
Storage Rack for 21"
(21" version shown)

Door Mount Vanity Storage Rack

PRODUCT	DESCRIPTION	DIMS	MCO	CAB	FINISH	SLP
4VR-12-1	Storage Rack for 12"	8-1/4" (209 mm) W x 3-1/8" (80 mm) D x 15-1/2" (394 mm) H	9" (229 mm)	VB12	Maple	\$73.65
4VR-15-1	Storage Rack for 15"	11-1/4" (285 mm) W x 3-1/8" (80 mm) D x 15-1/2" (394 mm) H	12" (305 mm)	VB15	Maple	\$80.60
4VR-18-1	Storage Rack for 18"	14-1/4" (362 mm) W x 3-1/8" (80 mm) D x 15-1/2" (394 mm) H	15" (381 mm)	VB18	Maple	\$92.10
4VR-21-1	Storage Rack for 21"	17-1/4" (438 mm) W x 3-1/8" (80 mm) D x 15-1/2" (394 mm) H	18" (457 mm)	VB21	Maple	\$99.75
4VR-24-1	Storage Rack for 24"	20-1/4" (514 mm) W x 3-1/8" (80 mm) D x 15-1/2" (394 mm) H	21" (533 mm)	VB24	Maple	\$103.80

4SOWC Series

- Designed for 30" vanity base cabinets
- Single 8 L polymer container, metallic silver
- Natural maple dovetail frame with semi-gloss finish
- Mounts to cabinet door
- Patented adjustable door mount brackets provide up to 5" of adjustability (US Patent No. 7,204,569)
- (1) white lid
- TSCA Title VI compliant

Door Mount Vanity Waste Container



Door Mount Vanity Waste Container

PRODUCT	DESCRIPTION	DIMS	MCO	CAB	FINISH	SLP
4SOWC-8-1	Single 8 L	10-3/8" (264 mm) W x 7-3/8" (187 mm) D x 12-5/16" (312 mm) H	12" (305 mm)	VSB30	Silver	\$69.45

4WCSC Series

- Designed for 30" vanity sink base cabinets and 15" base vanity cabinets
- Single 32 and 35 qt. polymer container, gray (32 qt only) or metallic silver
- Natural maple dovetail frame with semi-gloss finish
- Full-extension with 3/4" over-travel, MOVENTO 132 lb. rated, concealed slides with BLUMOTION soft-close
- Mounts to cabinet door and floor
- Patented door mount brackets with 5" of adjustability and micro-trim adjuster (US Patent No. 8,388,076)
- Rear storage
- 35 qt. polymer lids available (sold separately)
- TSCA Title VI compliant



4WCSC-1535DM19-1
Single 35 qt. Waste Container, Reduced Depth
(Metallic silver/maple finish shown)



Bottom Mount Waste Container



Reduced depth

4WCSC-1532DM19-1

Reduced Depth Bottom Mount Waste Container w/ BLUMOTION Soft-Close

PRODUCT	DESCRIPTION	DIMS	MCO	CAB	FINISH	SLP
4WCSC-1532DM16-1	Single 32 qt.	12" (305 mm) W x 15" (381 mm) D x 19-1/2" (495 mm) H	12" (305 mm)	B15	Gray/Maple	\$272.90
4WCSC-1535DM19-1	Single 35 qt.	12" (305 mm) W x 18-5/8" (473 mm) D x 19-1/2" (495 mm) H	12" (305 mm)	VB15	Metallic Silver/Maple	\$305.65

Bottom Mount Waste Container



4WCSC Series

- Designed for 15" vanity base cabinets
- Single 8 L polymer container, metallic silver
- Full-extension, 110 lb. rated, concealed slides with BLUMOTION soft-close
- Rear storage
- Mounts to cabinet floor
- (1) white lid
- TSCA Title VI compliant

Bottom Mount Vanity Waste Container w/ BLUMOTION Soft-Close

PRODUCT	DESCRIPTION	DIMS	MCO	CAB	FINISH	SLP
4WCSC-128-19-1	Single 8 L	8-5/8" (219 mm) W x 18-9/16" (471 mm) D x 13-15/16" (354 mm) H	7-3/4" (197 mm) - FF 8-3/4" (222 mm) - FL	VB15	Metallic Silver/Maple	\$274.90

Bottom Mount Wood Hamper



For video visit:
rev-a-shelf.com/videos

4WH Series

- Designed for face frame 24" vanity base cabinets
- Single 1.5 BU polymer hamper, white
- Natural maple frame with semi-gloss finish
- Full-extension with 3/4" over-travel, MOVENTO 150 lb. rated, concealed slides with BLUMOTION soft-close
- Mounts to cabinet door and floor
- (1) matching lid
- TSCA Title VI compliant

See Closet section page 334 for more hampers

4WH-VCSC-21DM-1

1.5 BU Bottom Mount Hamper Pullout w/ BLUMOTION Soft-Close

PRODUCT	DESCRIPTION	DIMS	MCO	CAB	FINISH	SLP
4WH-VCSC-21DM-1	Hamper Pullout	20-5/16" (515 mm) W x 18-11/16" (474 mm) D x 21-1/4" (539 mm) H	21" (533 mm)	VB24	Maple	\$385.55

Accessories

HPB-03323-52	Replacement Hamper	14" (356 mm) W x 18-5/8" (473 mm) D x 18-1/4" (464 mm) H			Polymer	\$45.40
--------------	--------------------	--	--	--	---------	---------

4VHTM Series

- Designed for face frame 18" vanity height and base height vanity cabinets
- Single 1.5 BU polymer hamper w/ lid, white
- Natural maple frame with semi-gloss finish
- Full-extension with 2" over-travel, ball-bearing, 100 lb. rated slides
- Mounts to cabinet door, rear and side walls
- Adjustable rear mount brackets and pre-assembled door mount brackets
- TSCA Title VI compliant

Top Mount Wood Hamper



See Closet section page 334 or more hampers

4VHTM-1520DM-1

*Replacement lid Part No: SP-HPB-LID

Maple Top Mount Pullout Hamper

PRODUCT	DESCRIPTION	DIMS	MCO	CAB	FINISH	SLP
4VHTM-1520DM-1	1.5 BU Hamper	15" (381 mm) W x 19-7/8" (505 mm) D x 20" (508 mm) H (with lid)	15" (381 mm)	VB18	White/Maple	\$178.80
HPB-03323-52	Replacement Hamper	14" (356 mm) W x 18-5/8" (473 mm) D x 18-1/4" (464 mm) H (no lid)*			Polymer	\$45.40

4WH Series

- Designed for 18" full height vanity and base height vanity cabinets
- Single 1.5 BU polymer hamper w/ lid, white
- Natural maple frame with semi-gloss finish
- Full-extension with 1-1/2" over-travel, ball-bearing, 150 lb. rated, concealed slides with Rev-A-Motion® soft-open/soft-close (US Patent No. 8,091,971)
- Mounts to cabinet door and floor
- Pre-assembled door mount brackets
- TSCA Title VI compliant

Bottom Mount Rev-A-Motion®

US PATENT NO: 8,091,971



*Replacement lid Part No: SP-HPB-LID

Bottom Mount Hamper Pullout w/ Rev-A-Motion®

PRODUCT	DESCRIPTION	DIMS	MCO	CAB	FINISH	SLP
4WH-RM-15DM-1	1.5 BU Hamper	14-1/4" (362 mm) W x 19-3/4" (502 mm) D x 21" (534 mm) H (with lid)	14-1/2" (381 mm) - FF 14-1/2" (381 mm) - FL	FHVB18	White/Maple	\$391.80
HPB-03323-52	Replacement Hamper	14" (356 mm) W x 18-5/8" (473 mm) D x 18-1/4" (464 mm) H (no lid)*			Polymer	\$45.40



- Designed for full access 24" vanity base cabinets with 5/8" or 3/4" side walls
- Double .85 BU polymer containers, gray and white
- Powder-coated metal frame, white
- Door mount brackets
- Full-extension, 90 lb. rated slides with soft-close
- Mounts to cabinet door and side walls
- Pre-assembled door mount brackets
- (1) gray and (1) white lids



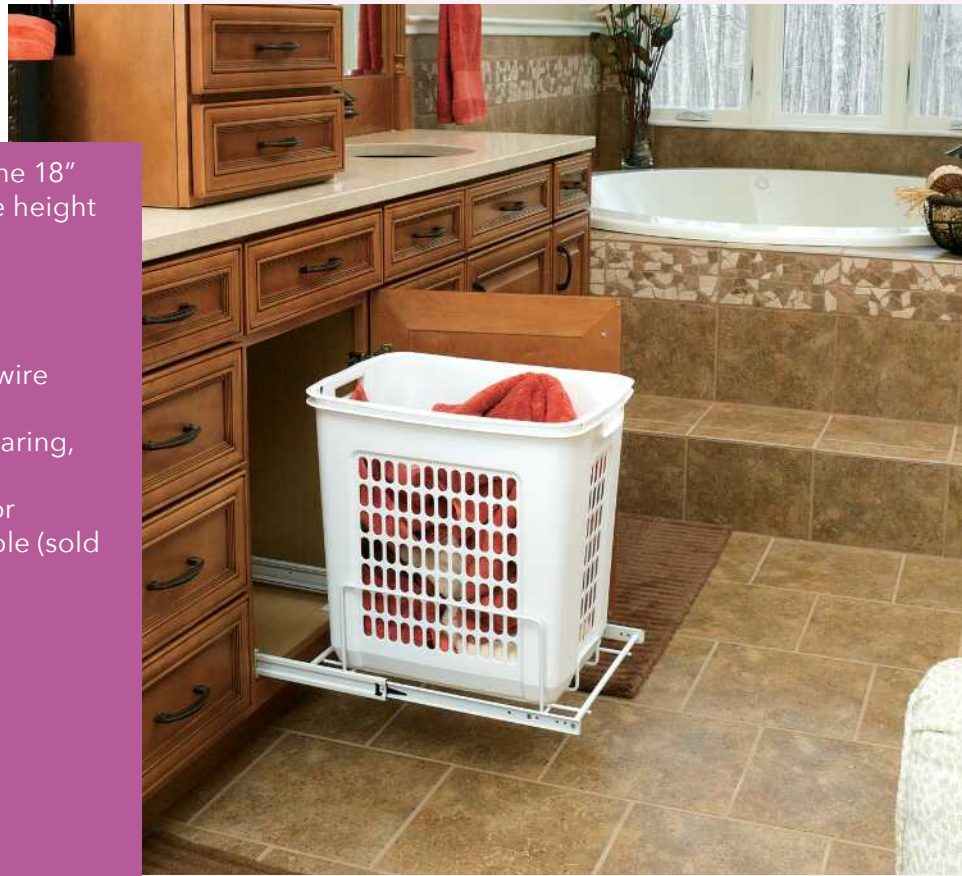
53TMVH-24SCDM-2-FL
.85 BU Hamper

See Closet section page 334 or more hampers

Steel Top Mount Vanity Hamper Pullout w/ Soft-Close

PRODUCT	DESCRIPTION	DIMS	MCO	CAB	FINISH	SLP
53TMVH-24SCDM-2-FL	Top Mount Hamper	22-1/8" (236 mm) W x 19-3/4" (501 mm) D x 19-1/8" (664 mm) H	22-1/8" (562 mm)	FLFHVB24	White/Gray/Steel	\$417.75

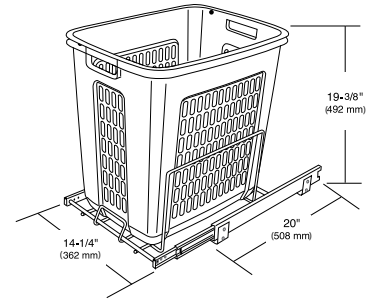
- Designed for face frame 18" vanity height and base height vanity cabinets
- Single 1.5 BU polymer hamper, white
- 4-screw installation
- Powder-coated white wire frame
- Full-extension, ball-bearing, 100 lb. rated slides
- Mounts to cabinet floor
- Door mount kit available (sold separately)



HPRV-1520 S



HPRV-1520 S
1.5 BU Hamper



See Closet section page 334 or more hampers

Polymer Bottom Mount Hamper Pullout

PRODUCT	DESCRIPTION	DIMS	MCO	CAB	FINISH	SLP
HPRV-1520 S	1.5 BU Hamper	14-1/4" (362 mm) W x 20" (508 mm) D x 19-3/8" (492 mm) H	14-1/2" (368 mm)	VB18	Tan/Aluminum	\$148.05

Accessories

HPB-03323-52	Replacement Hamper	14" (356 mm) W x 18-5/8" (473 mm) D x 18-1/4" (464 mm) H			Polymer	\$45.40
RV DM KIT	Heavy Duty Door Mount Kit				White	\$34.00
RV DM17 KIT	Heavy Duty Door Mount Kit				Silver Epoxy	\$34.25

Wire Bottom Mount Hamper

HRV Series



- Designed for 15" and 18" vanity cabinets
- Single 1.4 or 2.3 BU wire hamper
- 4-screw installation
- Chrome-plated or powder-coated white wire frame
- Full-extension, ball-bearing, 100 lb. rated slides
- Mounts to cabinet floor
- (1) 2.3 BU machine washable canvas liner included with HRV-1520 S CR
- Door mount kit available (sold separately)

HRV-1520 S CR



HRV-1215 S
1.4 BU Hamper



HRV-1515 S
2.3 BU Hamper

See Closet section page 334 or more hampers

Wire Bottom Mount Hamper Pullout

PRODUCT	DESCRIPTION	DIMS	MCO	CAB	FINISH	SLP
HRV-1215 S	1.4 BU Hamper	11-7/8" (302 mm) W x 18" (508 mm) D x 14-3/4" (375 mm) H	11-1/2" (292 mm) - FF 12" (305 mm) - FL	VB15	White	\$180.25
HRV-1220 S	1.4 BU Hamper	11-7/8" (302 mm) W x 18" (508 mm) D x 19-3/8" (492 mm) H	11-3/4" (298 mm) - FF 12" (305 mm) - FL	VB15	White	\$180.65
HRV-1515 S	2.3 BU Hamper	14-3/4" (375 mm) W x 18" (508 mm) D x 14-3/4" (375 mm) H	14-1/2" (368 mm) - FF 14-3/4" (375 mm) - FL	VB18	White	\$184.00
HRV-1520 S	2.3 BU Hamper	14-3/4" (375 mm) W x 18" (508 mm) D x 19-3/8" (492 mm) H	14-1/2" (368 mm) - FF 14-3/4" (375 mm) - FL	VB18	White	\$197.05

Wire Bottom Mount Hamper Pullout w/ Canvas Liner

HRV-1520 S CR	2.3 BU Hamper	14-3/4" (375 mm) W x 18" (508 mm) D x 19-3/8" (492 mm) H	14-1/2" (368 mm) - FF 14-3/4" (375 mm) - FL	VB18	Chrome	\$157.20
---------------	---------------	--	--	------	--------	----------

Accessories

HRV-1520-LINER	2.3 BU Replacement Liner				Tan	\$29.85
RV DM KIT	Heavy Duty Door Mount Kit				White	\$34.00
RV DM17 KIT	Heavy Duty Door Mount Kit				Silver Epoxy	\$34.25

NOTE: Only HRV-1520 S CR includes (1) liner





- Designed for 18" base height vanity cabinets
- Single 2.1 BU canvas liner, tan (machine washable)
- Anodized aluminum frame, metallic silver or white base
- Full-extension with 1-1/2" over-travel, ball-bearing, 150 lb. rated, concealed slides with Rev-A-Motion® soft-open/soft-close (US Patent No. 8,091,971)
- Mounts to cabinet door and floor
- Patented door mount brackets with 5" of adjustability (US Patent No. 8,939,526)



5190-15RM-117



5190-15RM-111
Canvas Hamper w/ White Base

See Closet section page 334 or more hampers

Vanity Solutions

Aluminum Bottom Mount Canvas Hamper w/ Rev-A-Motion®

PRODUCT	DESCRIPTION	DIMS	MCO	CAB	FINISH	SLP
5190-15RM-117	2.1 BU Canvas Hamper w/ Silver Base	14-9/32" (363 mm) W x 18-1/16" (459 mm) D x 19-11/32" (493 mm) H	14-1/2" (368 mm)	VB18	Tan/Aluminum	\$419.90
5190-15RM-111	2.1 Canvas Hamper w/ White Base	14-9/32" (363 mm) W x 18-1/16" (459 mm) D x 19-11/32" (493 mm) H	14-1/2" (368 mm)	VB18	Tan/Aluminum	\$421.95
Accessories						
5190-LINER	Canvas Liner Replacement	12" (305 mm) W x 18" (457 mm) D x 16" (406 mm) H			Tan	\$45.55

Aluminum Bottom Mount Wire Hampers

CH Series



- Designed for 27" base height vanity cabinets
- Double 1.2 BU wire hampers, with (2) canvas liners, machine washable
- Anodized aluminum frame, metallic silver or white base
- Full-extension with 1-1/2" over-travel, ball-bearing, 150 lb. rated, concealed slides with Rev-A-Motion® soft-open/soft-close (US Patent No. 8,091,971)
- Mounts to cabinet door and floor
- Patented door mount brackets with 5" of adjustability (US Patent No. 8,939,526)

CH-241419-RM-217



CH-241419-RM-217
Double 1.2 BU Hampers
w/ Silver Base



CH-241419-RM-211
Double 1.2 BU Hampers
w/ White Base

See Closet section page 334 or more hampers



For video visit:
rev-a-shelf.com/videos

Aluminum Bottom Mount Wire Hamper w/ Rev-A-Motion®

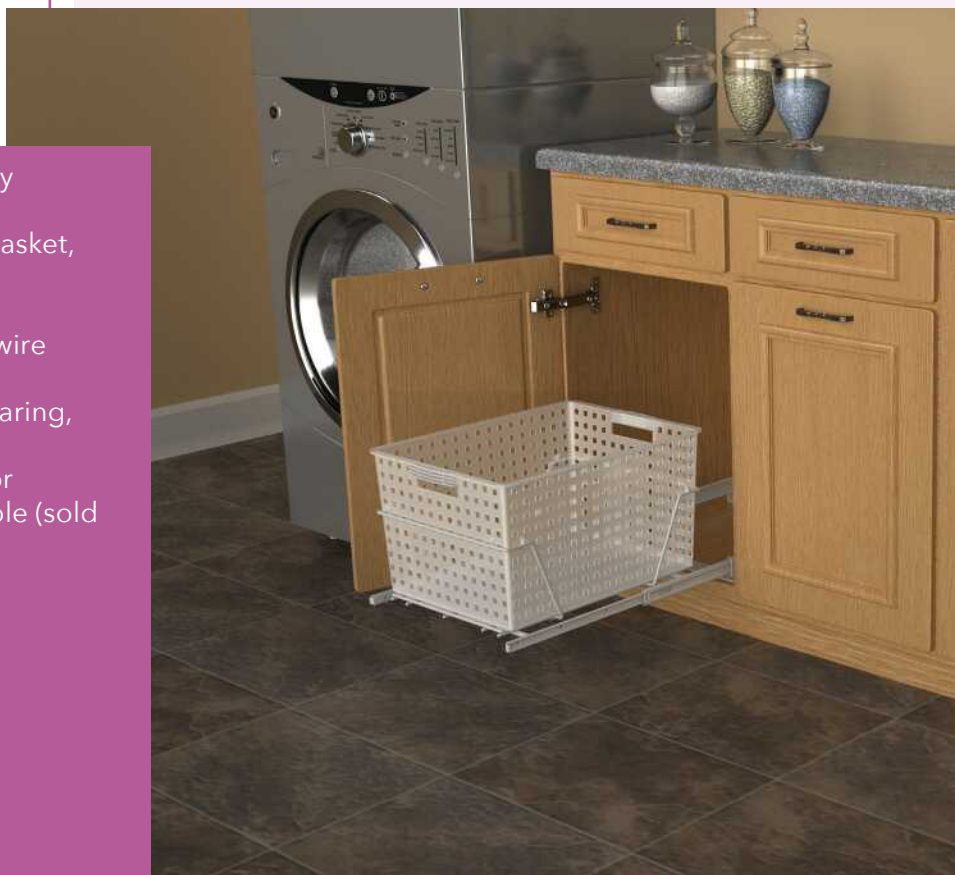
PRODUCT	DESCRIPTION	DIMS	MCO	CAB	FINISH	SLP
CH-241419-RM-217	Double 1.2 BU Hampers w/ Silver Base	24" (610 mm) W x 13-15/16" (353 mm) D x 18-7/8" (478 mm) H	24" (610 mm)	VB27	Silver/Tan	\$487.80
CH-241419-RM-211	Double 1.2 BU Hampers w/ White Base	24" (610 mm) W x 13-15/16" (353 mm) D x 18-7/8" (478 mm) H	24" (610 mm)	VB27	White/Tan	\$485.60

Accessories

5CHB-Liner	(1) Replacement Canvas Liner				Tan	\$15.80
------------	------------------------------	--	--	--	-----	---------



- Designed for 18" vanity cabinets
- Single 1 BU polymer basket, Frosted
- 4-screw installation
- Powder-coated white wire frame
- Full-extension, ball-bearing, 100 lb. rated slides
- Mounts to cabinet floor
- Door mount kit available (sold separately)



HURV-1512 S



HURV-1512 S
1 BU Basket Pullout for 18"

Polymer Utility Basket Pullout w/ Rev-A-Motion®

PRODUCT	DESCRIPTION	DIMS	MCO	CAB	FINISH	SLP
HURV-1512 S	1 BU Basket Pullout for 18"	14-3/8" (364 mm) W x 18-1/8" (461 mm) D x 11-7/8" (302 mm) H	15" (381 mm)	VB18	Frost	\$156.00

Accessories

HUB-470X8	Replacement Utility Basket	12-1/2" (318 mm) W x 18" (457 mm) D x 10-3/8" (264 mm) H			Frost	\$51.60
RV DM KIT	Heavy Duty Door Mount Kit				White	\$34.00
RV DM17 KIT	Heavy Duty Door Mount Kit				Silver Epoxy	\$34.25



- Designed for 3" and 6" vanity filler applications
- Natural maple frame with semi-gloss finish
- Full-extension, 100 lb. rated, TANDEM smooth running action slides with BLUMOTION soft-close
- Patented undermount soft-close slide system (US Patent No. 8,733,865)
- Mounts between cabinets
- Adjustable shelves with clear rails and non-skid vinyl lining
- (4) or (6) polycarbonate bins
- TSCA Title VI compliant

432-VF26SC-3



432-VF30SC-6
6" Vanity Base Height Filler w/ (6) Bins

NOTE: Polycarbonate Bins = 7" (178 mm) W x 1-3/4" (45 mm) D x 2-1/4" (57 mm) H

Vanity Filler Pullout w/ BLUMOTION Soft-Close

PRODUCT	DESCRIPTION	DIMS	FINISH	SLP
432-VF26SC-3	3" Vanity Filler w/ (4) Bins	3" (76 mm) W x 19" (483 mm) D x 26" (661 mm) H	Maple	\$323.10
432-VF26SC-6	6" Vanity Filler w/ (4) Bins	6" (152 mm) W x 19" (483 mm) D x 26" (661 mm) H	Maple	\$401.60
432-VF30SC-3	3" Vanity Base Height Filler w/ (6) Bins	3" (76 mm) W x 19" (483 mm) D x 30" (762 mm) H	Maple	\$377.70
432-VF30SC-6	6" Vanity Base Height Filler w/ (6) Bins	6" (152 mm) W x 19" (483 mm) D x 30" (762 mm) H	Maple	\$465.80



- Designed for face frame 12" vanity cabinets with full height door
- Natural maple frame with semi-gloss finish
- Full-extension, 135 lb. rated, TANDEM smooth running action, concealed slides with BLUMOTION soft-close
- Mounts to cabinet door and floor
- Patented door mount brackets provide 5" of adjustability and include micro-trim adjuster (US Patent No. 8,388,076)
- Adjustable shelves with clear rails and non-skid vinyl lining
- (2) stainless steel bins
- Patented design (US Patent No. D596,424)
- TSCA Title VI compliant

445-VCG25SC-8



445-VCG25SC-8
8" Base Height
Vanity Grooming Organizer

Grooming Organizer Pullout w/ BLUMOTION Soft-Close

PRODUCT	DESCRIPTION	DIMS	MCO	CAB	FINISH	SLP
445-VCG20SC-8	8" Vanity Grooming Organizer	8-7/16" (213 mm) W x 19-9/16" (497 mm) D x 20-3/8" (517 mm) H	9" (227 mm)	FHVB12	Wood	\$398.00
445-VCG25SC-8	8" Base Height Vanity Grooming Organizer	8-7/16" (213 mm) W x 19-9/16" (497 mm) D x 25-9/16" (649 mm) H	9" (227 mm)	FHVB12	Wood	\$452.40



- Designed for face frame 12" vanity cabinets with full height door
- Natural maple frame with semi-gloss finish
- Full-extension, 135 lb. rated, TANDEM smooth running action, concealed slides with BLUMOTION soft-close
- Mounts to cabinet door and floor
- Patented door mount brackets provide 5" of adjustability and include micro-trim adjuster (US Patent No. 8,388,076)
- Adjustable shelves with clear rails and non-skid vinyl lining
- (6) or (9) polycarbonate bins
- Patented mounting straps (US Patent No. 9,756,941)
- TSCA Title VI compliant

448-VC25SC-8



448-VC25SC-8
8" Base Height Vanity Organizer
w/ (9) Bins

Tiered Vanity Organizer Pullout w/ BLUMOTION Soft-Close

PRODUCT	DESCRIPTION	DIMS	MCO	CAB	FINISH	SLP
448-VC20SC-8	8" Vanity Organizer w/ (6) Bins	8-7/16" (213 mm) W x 19-9/16" (497 mm) D x 20-3/8" (517 mm) H	8-1/2" (216 mm) - FF 8-1/2" (216 mm) - FL	FHVB12	Wood	\$509.25
448-VC25SC-8	8" Base Height Vanity Organizer w/ (9) Bins	8-7/16" (213 mm) W x 19-9/16" (497 mm) D x 25-9/16" (649 mm) H	8-1/2" (216 mm) - FF 8-1/2" (216 mm) - FL	FHVB12	Wood	\$593.20

NOTE: Polycarbonate Bins = 7" (178 mm) W x 1-3/4" (45 mm) D x 2-1/4" (57 mm) H

8-010

- Designed for 33" and 36" sink base cabinets or 24" single door sink base cabinets
- Single black polymer container with built-in handle, 14 or 15 L
- Stainless steel or white lacquer finish
- Lid rises as container pivots out
- Mounts to cabinet door, floor and side walls

8-700

- Designed for full access 36" sink base cabinets
- Single white polymer bin with built-in handle, 20 L
- Lid rises as container pivots out
- Mounts to cabinet door and side walls



8-010314-15



8-010212-14
14 L Container
(White lacquer finish shown)



8-010412-15
15 L Container, White
(White lacquer finish shown)



8-700411-20
20 L Sink Base Container
(White polymer finish shown)

Under Sink Waste Container Pivot Outs

PRODUCT	DESCRIPTION	DIMS	MCO	CAB	FINISH	SLP
8-010212-14	Single 14 L	11" (279 mm) W x 10-1/2" (267 mm) D x 17-1/8" (435 mm) H	13-3/4" (350 mm)	VSB33	White Lacquered	\$101.05
8-010412-15	Single 15 L	11-3/4" (299 mm) W x 10-11/16" (272 mm) D x 15-3/16" (386 mm) H	13-3/4" (350 mm) - FF 13-3/4" (350 mm) - FL	VSB33	White Lacquered	\$111.65
8-010314-15	Single 15 L	11-3/4" (299 mm) W x 10-11/16" (272 mm) D x 15-3/16" (386 mm) H	13-3/4" (350 mm) - FF 13-3/4" (350 mm) - FL	VSB33	Stainless Steel	\$139.50
8-700411-20	Single 20 L	15-3/4" (400 mm) W x 7-1/4" (185 mm) D x 18" (457 mm) H	16-1/4" (413 mm)	VSB33	White Polymer	\$179.20

Chrome Universal Waste Pullout

RUKD Series



RUKD-820-1



RUKD-1420RB-1
Single 32 qt. Waste Container
w/ Rear Basket

- Designed for 27", 30" and 33" Sink Base
- Universal frame configuration
- Single 20 qt. polymer containers, gray
- Chrome-plated welded wire frame
- Full-extension, ball-bearing, 100 lb. rated slides
- Clip-on handle
- RB versions come with a rear storage basket
- 4-screw installation
- Mounts to cabinet floor
- RV DMKIT 17 door mount kit (sold separately)

Chrome Universal Waste Pullout

PRODUCT	DESCRIPTION	DIMS	MCO	CAB	FINISH	SLP
RUKD-820-1	Single 20 qt.	8-1/2" (216 mm) W x 16-1/8" (410 mm) D x 16-5/8" (422 mm) H 14-11/32" (364 mm) W x 16-1/8" (410 mm) D x 16-5/8" (422 mm) H	8-3/4" (222 mm) 14-1/2" (368 mm)	B12 B18	Gray/Chrome	\$72.20
RUKD-1420RB-1	Single 20 qt. w/ Rear Basket	14-1/2" (368 mm) W x 15-3/4" (400 mm) D x 16-5/8" (422 mm) H	14-1/2" (368 mm)	B18	Gray/Chrome	\$93.50
RUKD-932-1	Single 32 qt.	9" (229 mm) W x 15-3/4" (400 mm) D x 19-5/8" (499 mm) H	8-3/4" (222 mm) 14-1/2" (368 mm)	B12	Gray/Chrome	\$82.65
RUKD-1432RB-1	Single 32 qt. w/ Rear Basket	14-1/2" (368 mm) W x 15-3/4" (400 mm) D x 19-5/8" (499 mm) H	14-1/2" (368 mm)	B18	Gray/Chrome	\$91.95

Accessories

RV DM17 KIT	Heavy Duty Door Mount Kit				Silver Epoxy	\$34.25
-------------	---------------------------	--	--	--	--------------	---------

Aluminum Bottom Mount Rev-A-Motion®

5149 Series



5149-15DM18-117



- Designed for 15" base height vanity cabinets
- Single 35 qt. polymer containers, metallic silver or white
- Anodized aluminum frame, metallic silver or white base
- Full-extension with 1-1/2" over-travel, ball-bearing, 150 lb. rated, concealed slides with Rev-A-Motion® soft-open/soft-close (US Patent No. 8,091,971)
- Patented door mount brackets with 5" of adjustability. (US Patent No. 8,939,526)



See page 51 for more information

Aluminum Bottom Mount Waste Container Pullout w/ Rev-A-Motion® - Reduced Depth

PRODUCT	DESCRIPTION	DIMS	MCO	CAB	FINISH	SLP
5149-15DM18-111	Single 35 qt.	12-1/8" (308 mm) W x 18" (457 mm) D x 19-1/2" (495 mm) H	11-1/2" (292 mm)- FF/ 12-1/4" (311 mm) - FL	VB15	White/Alum	\$348.60
5149-15DM18-117	Single 35 qt.	12-1/8" (308 mm) W x 18" (457 mm) D x 19-1/2" (495 mm) H	11-1/2" (292 mm)- FF/ 12-1/4" (311 mm) - FL	VB15	Silver/Alum	\$333.50

5SBWC Series

- Designed for 24" and larger sink base cabinets
- (1) 8 L and (1) 15 L bin, both with handles
- Full-extension, under mount, 75 lb. rated, concealed slides with soft-close
- Mounts to cabinet floor
- (1) green lid and (1) white lid
- Door mounting kit (sold separately)



For video visit:
rev-a-shelf.com/videos

Sink Base Waste Pullout



Wire Under Sink Waste Pullout

PRODUCT	DESCRIPTION	DIMS	MCO	CAB	FINISH	SLP
5SBWC-815S-1	(1) 8 L and (1) 15 L	8-15/16" (227 mm) W x 18-5/8" (473 mm) D x 14-1/4" (362 mm) H	9" (227 mm)	VSB24+	Silver	\$140.60

Accessories

5WB-DMKIT	Door Mount Kit				Silver Epoxy	\$34.95
-----------	----------------	--	--	--	--------------	---------

5SBWCC Series

- Designed for 24" and larger sink base cabinets
- (1) 8 L with removable rack and (2) 1 L spray bottles
- Full-extension, under mount, 75 lb. rated, concealed slides with soft-close
- Mounts to cabinet floor
- (1) green lid
- Door mounting kit (sold separately)



For video visit:
rev-a-shelf.com/videos

Sink Base Waste & Cleaning Pullout



Wire Under Sink Waste & Cleaning Pullout

PRODUCT	DESCRIPTION	DIMS	MCO	CAB	FINISH	SLP
5SBWCC-8S-1	(1) 8 L and (2) 1 L Bottles	8-15/16" (227 mm) W x 18-5/8" (473 mm) D x 14-1/4" (362 mm) H	9" (227 mm)	VSB24+	Silver	\$124.00

Accessories

5WB-DMKIT	Door Mount Kit				Silver Epoxy	\$34.95
-----------	----------------	--	--	--	--------------	---------

Vanity Drip Tray

SBVDT Series



- Designed for installation in new 24" to 36" vanity sink base cabinets
- Glossy polystyrene construction, almond or metallic silver
- Drop-in installation
- Protects the bottom of your cabinet from water damage
- Recommended for new construction only

SBVDT-2730-A-1



S: Metallic Silver, A: Almond

See sink section page 97 for sink base version

Tray Capacity	
SBVDT-2124	7/8 qt.
SBVDT-2730	1-1/4 qt.
SBVDT-3336	1-1/2 qt.

Vanity Drip Tray

PRODUCT	DESCRIPTION	DIMS	MIN TRIM	FINISH	SLP
SBVDT-2124-A-1	Drip Tray	22-1/2" (572 mm) W x 20-1/4" (515 mm) D x 3/4" (19 mm) H	19-1/2" (495 mm) W x 18-1/2" (470 mm) D	Almond	\$48.30
SBVDT-2124-S-1	Drip Tray	22-1/2" (572 mm) W x 20-1/4" (515 mm) D x 3/4" (19 mm) H	19-1/2" (495 mm) W x 18-1/2" (470 mm) D	Metallic Silver	\$53.20
SBVDT-2730-A-1	Drip Tray	28-1/2" (724 mm) W x 20-1/4" (515 mm) D x 3/4" (19 mm) H	25-1/2" (648 mm) W x 18-1/2" (470 mm) D	Almond	\$53.65
SBVDT-2730-S-1	Drip Tray	28-1/2" (724 mm) W x 20-1/4" (515 mm) D x 3/4" (19 mm) H	25-1/2" (648 mm) W x 18-1/2" (470 mm) D	Metallic Silver	\$59.00
SBVDT-3336-A-1	Drip Tray	34-1/2" (876 mm) W x 20-1/4" (515 mm) D x 3/4" (19 mm) H	31-1/2" (800 mm) W x 18-1/2" (470 mm) D	Almond	\$59.75
SBVDT-3336-S-1	Drip Tray	34-1/2" (876 mm) W x 20-1/4" (515 mm) D x 3/4" (19 mm) H	31-1/2" (800 mm) W x 18-1/2" (470 mm) D	Metallic Silver	\$65.70

(12) Vanity Drip Trays

SBVDT-2124-A-12	(12) Drip Trays	22-1/2" (572 mm) W x 20-1/4" (515 mm) D x 3/4" (19 mm) H	19-1/2" (495 mm) W x 18-1/2" (470 mm) D	Almond	\$41.20 ea
SBVDT-2124-S-12	(12) Drip Trays	22-1/2" (572 mm) W x 20-1/4" (515 mm) D x 3/4" (19 mm) H	19-1/2" (495 mm) W x 18-1/2" (470 mm) D	Metallic Silver	\$45.40 ea
SBVDT-2730-A-12	(12) Drip Trays	28-1/2" (724 mm) W x 20-1/4" (515 mm) D x 3/4" (19 mm) H	25-1/2" (648 mm) W x 18-1/2" (470 mm) D	Almond	\$45.80 ea
SBVDT-2730-S-12	(12) Drip Trays	28-1/2" (724 mm) W x 20-1/4" (515 mm) D x 3/4" (19 mm) H	25-1/2" (648 mm) W x 18-1/2" (470 mm) D	Metallic Silver	\$50.45 ea
SBVDT-3336-A-12	(12) Drip Trays	34-1/2" (876 mm) W x 20-1/4" (515 mm) D x 3/4" (19 mm) H	31-1/2" (800 mm) W x 18-1/2" (470 mm) D	Almond	\$50.90 ea
SBVDT-3336-S-12	(12) Drip Trays	34-1/2" (876 mm) W x 20-1/4" (515 mm) D x 3/4" (19 mm) H	31-1/2" (800 mm) W x 18-1/2" (470 mm) D	Metallic Silver	\$55.95 ea





The company that has become America's market leader in "whole home storage solutions", now brings you innovative solutions for your closet that add greater convenience and ease of use.

True to our success story, the Rev-A-Shelf closet program has a plethora of superior quality accessories that include hampers, mirrors, ironing boards and hooks, pulls and knobs in numerous finishes and multiple sizes.

* Please note: during the transition from Sidelines to Sidelines By Rev-A-Shelf®, product finishes may vary due to product enhancement or vendor conversion.

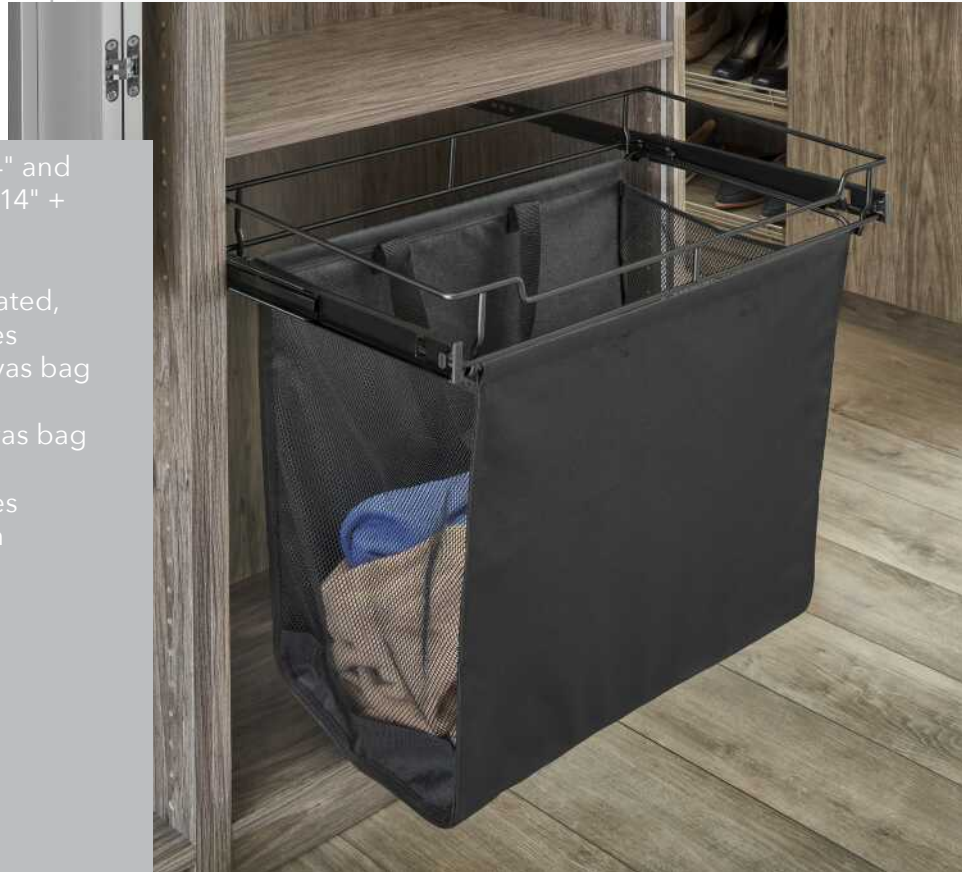
* Rev-A-Shelf and Sidelines By Rev-A-Shelf® closet finishes are different. To ensure a cohesive design, we recommend ordering from one product line.

21/22.

CLOSET



- (3) models to fit 18", 24" and 30" section widths, all 14" + deep
- Available in Black
- Full-extension, 75 lb. rated, ball-bearing steel slides
- 1.7 BU removable canvas bag w/ handles
 - 18" and 24" - (1) canvas bag
 - 30" - (2) canvas bags
- Mounts to cabinet sides
- Installs easily in 32 mm applications



CSOHL-24-1



CSOHL-24-1
Black Hamper Pullout
(24" version shown)



1.7 BU removable canvas bag w/ handles



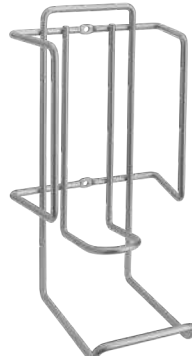
Closet Solutions

Black Hamper Pullout

PRODUCT	DESCRIPTION	DIMS	MCO	FINISH	SLP
CSOHL-18-1	1.7 BU Hamper	18" (457 mm) W x 14" (356 mm) D x 20-7/8" (530 mm) H	18" (457 mm)	Black	\$102.20
CSOHL-24-1	1.7 BU Hamper	24" (610 mm) W x 14" (356 mm) D x 20-7/8" (530 mm) H	24" (610 mm)	Black	\$111.20
CSOHL-30-1	(2) 1.7 BU Hampers	30" (762 mm) W x 14" (356 mm) D x 20-7/8" (530 mm) H	30" (762 mm)	Black	\$142.95



- Easy installation
- Heavy-duty wire construction, silver mist
- Cord management
- Mounts to cabinet or wall



IRH-SM-1
Iron Holder

SIDELINES[®]
REV-A-SHELF

Iron Holder

PRODUCT	DESCRIPTION		FINISH	SLP
IRH-SM-1	Iron Holder	5-23/32" (145 mm) W x 5-1/8" (130 mm) D x 10-1/4" (260 mm) H	Silver Mist	\$29.85



CB-182007CR-1 & CB-182011CR-1

- Installs easily in 32 mm applications
- Easy to remove baskets
- Baskets rest on top of the full-extension slides, eliminating torque twist
- Bayonet mounting system
- Rev-A-Shelf exclusive design (US Patent No. D546,101)
- Available in chrome, oil-rubbed bronze and satin nickel

NOTE: * Product available in individual (1) or (3) packs - 100 lb. weight rated slides.



Close up of Bayonet Mounting System for easy removal and re-installation (US Patent No. 546,101)



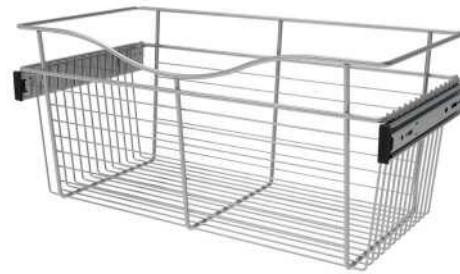
Our baskets rest upon the slide, to eliminate the torque-twist associated with other baskets.



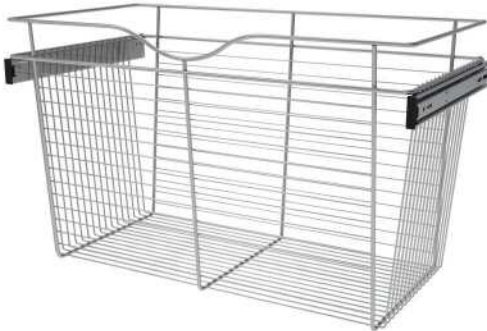
See page 286 - 289 for basket accessories, like hamper bags and liners!



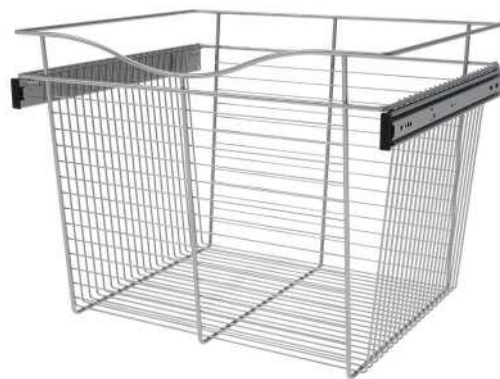
CB-181207CR-1
Chrome,
18" wide, 12" deep, 7" height



CB-241411CR-1
Chrome,
24" wide, 14" deep, 11" height



CB-301618CR-1
Chrome,
30" wide, 16" deep, 18" height



CB-242018CR-1
Chrome,
24" wide, 20" deep, 18" height

NOTE: Please contact your representative to order oil-rubbed bronze and satin nickel finishes

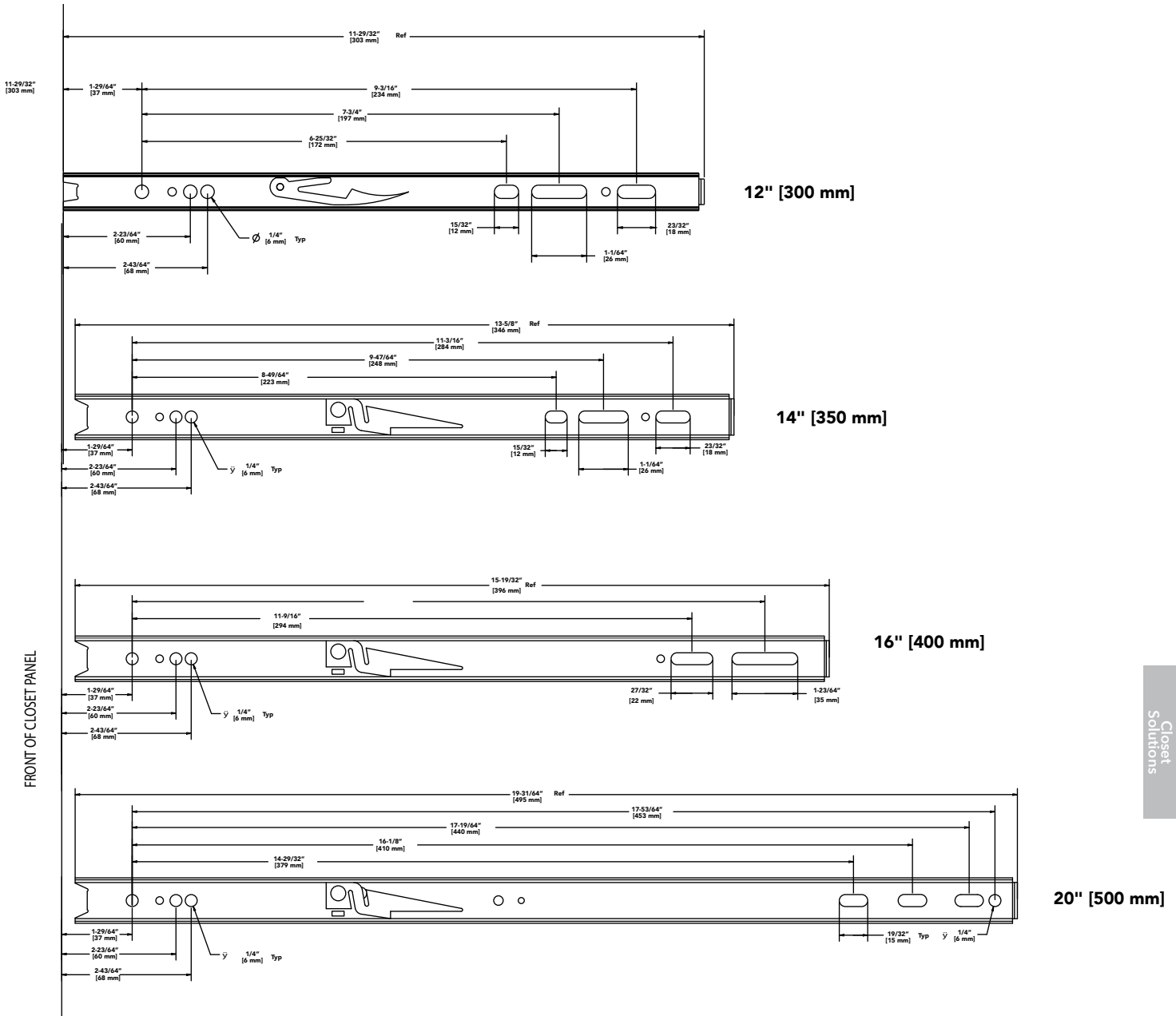
Pricing and specs on the following page 

NOTE: * Product available in individual (1) or (3) packs - 100 lb. weight rated slides.

PRODUCT	DESCRIPTION	DIMS	FINISH	SLP (1)	SLP (3)
Chrome Wire Pullout Baskets—12" Deep Basket					
CB-181207CR-*	Pullout Basket	18" (457 mm) W x 12" (305 mm) D x 7" (178 mm) H	Chrome	\$75.85	\$56.10 ea.
CB-181211CR-*	Pullout Basket	18" (457 mm) W x 12" (305 mm) D x 11" (280 mm) H	Chrome	\$83.65	\$63.35 ea.
CB-181218CR-*	Pullout Basket	18" (457 mm) W x 12" (305 mm) D x 18" (457 mm) H	Chrome	\$103.55	\$78.00 ea.
CB-241207CR-*	Pullout Basket	24" (610 mm) W x 12" (305 mm) D x 7" (178 mm) H	Chrome	\$82.20	\$57.00 ea.
CB-241211CR-*	Pullout Basket	24" (610 mm) W x 12" (305 mm) D x 11" (280 mm) H	Chrome	\$94.40	\$65.85 ea.
CB-241218CR-*	Pullout Basket	24" (610 mm) W x 12" (305 mm) D x 18" (457 mm) H	Chrome	\$119.05	\$91.20 ea.
CB-301207CR-*	Pullout Basket	30" (762 mm) W x 12" (305 mm) D x 7" (178 mm) H	Chrome	\$104.55	\$65.10 ea.
CB-301211CR-*	Pullout Basket	30" (762 mm) W x 12" (305 mm) D x 11" (280 mm) H	Chrome	\$112.40	\$76.70 ea.
CB-301218CR-*	Pullout Basket	30" (762 mm) W x 12" (305 mm) D x 18" (457 mm) H	Chrome	\$123.40	\$94.70 ea.
Chrome Wire Pullout Baskets—14" Deep Basket					
CB-181407CR-*	Pullout Basket	18" (457 mm) W x 14" (356 mm) D x 7" (178 mm) H	Chrome	\$83.10	\$53.65 ea.
CB-181411CR-*	Pullout Basket	18" (457 mm) W x 14" (356 mm) D x 11" (280 mm) H	Chrome	\$84.40	\$60.90 ea.
CB-181418CR-*	Pullout Basket	18" (457 mm) W x 14" (356 mm) D x 18" (457 mm) H	Chrome	\$105.40	\$75.40 ea.
CB-241407CR-*	Pullout Basket	24" (610 mm) W x 14" (356 mm) D x 7" (178 mm) H	Chrome	\$92.95	\$62.35 ea.
CB-241411CR-*	Pullout Basket	24" (610 mm) W x 14" (356 mm) D x 11" (280 mm) H	Chrome	\$102.95	\$75.70 ea.
CB-241418CR-*	Pullout Basket	24" (610 mm) W x 14" (356 mm) D x 18" (457 mm) H	Chrome	\$120.35	\$93.10 ea.
CB-301407CR-*	Pullout Basket	30" (762 mm) W x 14" (356 mm) D x 7" (178 mm) H	Chrome	\$106.45	\$74.40 ea.
CB-301411CR-*	Pullout Basket	30" (762 mm) W x 14" (356 mm) D x 11" (280 mm) H	Chrome	\$120.50	\$86.15 ea.
CB-301418CR-*	Pullout Basket	30" (762 mm) W x 14" (356 mm) D x 18" (457 mm) H	Chrome	\$139.35	\$106.15 ea.
Chrome Wire Pullout Baskets—16" Deep Basket					
CB-181607CR-*	Pullout Basket	18" (457 mm) W x 16" (407 mm) D x 7" (178 mm) H	Chrome	\$89.30	\$65.10 ea.
CB-181611CR-*	Pullout Basket	18" (457 mm) W x 16" (407 mm) D x 11" (280 mm) H	Chrome	\$96.55	\$71.50 ea.
CB-181618CR-*	Pullout Basket	18" (457 mm) W x 16" (407 mm) D x 18" (457 mm) H	Chrome	\$124.25	\$91.20 ea.
CB-241607CR-*	Pullout Basket	24" (610 mm) W x 16" (407 mm) D x 7" (178 mm) H	Chrome	\$99.90	\$69.15 ea.
CB-241611CR-*	Pullout Basket	24" (610 mm) W x 16" (407 mm) D x 11" (280 mm) H	Chrome	\$111.65	\$80.45 ea.
CB-241618CR-*	Pullout Basket	24" (610 mm) W x 16" (407 mm) D x 18" (457 mm) H	Chrome	\$133.55	\$103.25 ea.
CB-301607CR-*	Pullout Basket	30" (762 mm) W x 16" (407 mm) D x 7" (178 mm) H	Chrome	\$128.45	\$91.50 ea.
CB-301611CR-*	Pullout Basket	30" (762 mm) W x 16" (407 mm) D x 11" (280 mm) H	Chrome	\$134.70	\$98.15 ea.
CB-301618CR-*	Pullout Basket	30" (762 mm) W x 16" (407 mm) D x 18" (457 mm) H	Chrome	\$157.05	\$116.15 ea.
Chrome Wire Pullout Baskets—20" Deep Basket					
CB-182007CR-*	Pullout Basket	18" (457 mm) W x 20" (508 mm) D x 7" (178 mm) H	Chrome	\$114.10	\$78.75 ea.
CB-182011CR-*	Pullout Basket	18" (457 mm) W x 20" (508 mm) D x 11" (280 mm) H	Chrome	\$122.40	\$89.30 ea.
CB-182018CR-*	Pullout Basket	18" (457 mm) W x 20" (508 mm) D x 18" (457 mm) H	Chrome	\$141.25	\$108.00 ea.
CB-242007CR-*	Pullout Basket	24" (610 mm) W x 20" (508 mm) D x 7" (178 mm) H	Chrome	\$118.45	\$90.05 ea.
CB-242011CR-*	Pullout Basket	24" (610 mm) W x 20" (508 mm) D x 11" (280 mm) H	Chrome	\$129.65	\$99.45 ea.
CB-242018CR-*	Pullout Basket	24" (610 mm) W x 20" (508 mm) D x 18" (457 mm) H	Chrome	\$145.45	\$117.30 ea.



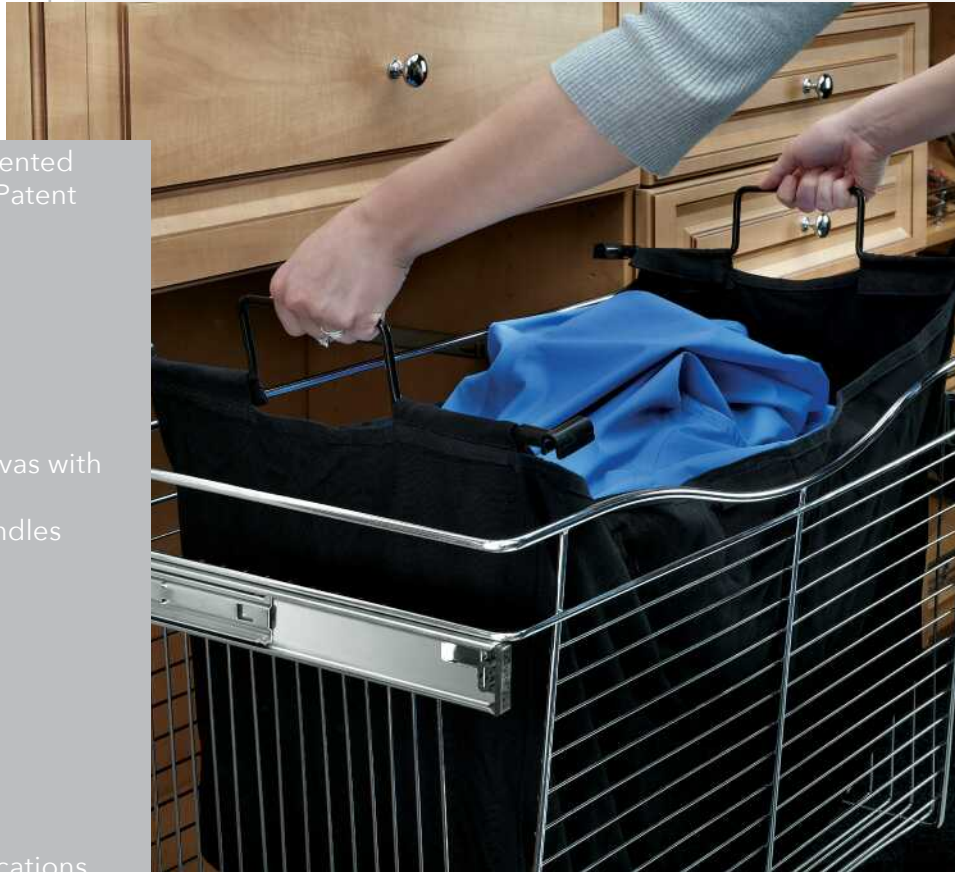
CB-182007CR-1



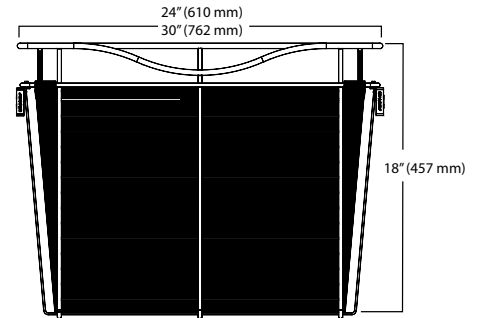
- Designed to fit our patented CB Series Baskets (US Patent No. D546,101)ts:
 CB-241418**-1/3
 CB-241618**-1/3
 CB-242018**-1/3
 CB-301418**-1/3
 CB-301618**-1/3
 ** Denotes color code
- Machine washable canvas with velcro ties
- Black coated metal handles and clips included

Useful for:

- Pantries
- Children's Rooms
- Laundry Rooms
- Vanities
- Garages
- Pet Supplies
- Custom Cabinet Applications



Heavy Duty Plastic Clips



NOTE: * Product available in individual (1) or (3) packs.

Cloth Hamper for CB Basket

PRODUCT	DESCRIPTION	DIMS	FINISH	SLP (1)	SLP (3)
CHBI-241418-*	Cloth Hamper	21-17/32" (547 mm) W x 12-1/4" (311 mm) D x 14-15/32" (368 mm) H Closet Basket	Black	\$51.90	\$46.10 ea.
CHBI-241618-*	Cloth Hamper	21-17/32" (547 mm) W x 14-1/4" (362 mm) D x 14-15/32" (368 mm) H Closet Basket	Black	\$53.20	\$47.25 ea.
CHBI-242018-*	Cloth Hamper	21-17/32" (547 mm) W x 18-1/4" (464 mm) D x 14-15/32" (368 mm) H Closet Basket	Black	\$60.15	\$54.25 ea.
CHBI-301418-*	Cloth Hamper	27-3/8" (695 mm) W x 12-1/4" (311 mm) D x 14-15/32" (368 mm) H Closet Basket	Black	\$58.85	\$52.90 ea.
CHBI-301618-*	Cloth Hamper	27-3/8" (695 mm) W x 14-1/4" (362 mm) D x 14-15/32" (368 mm) H Closet Basket	Black	\$60.60	\$54.50 ea.

Cloth Liners for CB Series

CBL Series

- Available in (33) sizes
- Easy-to-install and machine washable
- Designed to fit our patented CB Series Baskets (US Patent No. D546,101)
- Hook and loop fasteners



PRODUCT	DESCRIPTION	DIMS	FINISH	SLP(1)	SLP (3)
Cloth Liner for 12" Deep Pullout Basket					
CBL-181207-B.*	Closet Liner for 18"	16-3/4" (425 mm) W x 10-5/8" (270 mm) D x 3-25/32" (94 mm) H	Black	\$23.95	\$21.15 ea.
CBL-181211-B.*	Closet Liner for 18"	16-3/4" (425 mm) W x 10-5/8" (270 mm) D x 7-25/32" (198 mm) H	Black	\$31.20	\$27.70 ea.
CBL-181218-B.*	Closet Liner for 18"	16-3/4" (425 mm) W x 10-5/8" (270 mm) D x 14-25/32" (376 mm) H	Black	\$40.30	\$37.25 ea.
CBL-241207-B.*	Closet Liner for 24"	22-3/4" (578 mm) W x 10-5/8" (270 mm) D x 3-25/32" (94 mm) H	Black	\$25.95	\$24.80 ea.
CBL-241211-B.*	Closet Liner for 24"	22-3/4" (578 mm) W x 10-5/8" (270 mm) D x 7-25/32" (198 mm) H	Black	\$31.45	\$29.15 ea.
CBL-241218-B.*	Closet Liner for 24"	22-3/4" (578 mm) W x 10-5/8" (270 mm) D x 14-25/32" (376 mm) H	Black	\$44.65	\$41.75 ea.
CBL-301207-B.*	Closet Liner for 30"	28-3/4" (730 mm) W x 10-5/8" (270 mm) D x 3-25/32" (94 mm) H	Black	\$26.95	\$25.40 ea.
CBL-301211-B.*	Closet Liner for 30"	28-3/4" (730 mm) W x 10-5/8" (270 mm) D x 7-25/32" (279 mm) H	Black	\$33.95	\$31.60 ea.
CBL-301218-B.*	Closet Liner for 30"	28-3/4" (730 mm) W x 10-5/8" (270 mm) D x 14-25/32" (376 mm) H	Black	\$45.80	\$42.65 ea.
Cloth Liner for 14" Deep Pullout Basket					
CBL-181407-B.*	Closet Liner for 18"	16-3/4" (425 mm) W x 12-5/8" (321 mm) D x 3-25/32" (94 mm) H	Black	\$27.40	\$25.10 ea.
CBL-181411-B.*	Closet Liner for 18"	16-3/4" (425 mm) W x 12-5/8" (321 mm) D x 7-25/32" (198 mm) H	Black	\$34.50	\$29.70 ea.
CBL-181418-B.*	Closet Liner for 18"	16-3/4" (425 mm) W x 12-5/8" (321 mm) D x 14-25/32" (376 mm) H	Black	\$45.95	\$39.00 ea.
CBL-241407-B.*	Closet Liner for 24"	22-3/4" (578 mm) W x 12-5/8" (321 mm) D x 3-25/32" (94 mm) H	Black	\$28.25	\$26.55 ea.
CBL-241411-B.*	Closet Liner for 24"	22-3/4" (578 mm) W x 12-5/8" (321 mm) D x 7-25/32" (198 mm) H	Black	\$35.50	\$32.65 ea.
CBL-241418-B.*	Closet Liner for 24"	22-3/4" (578 mm) W x 12-5/8" (321 mm) D x 14-25/32" (376 mm) H	Black	\$46.85	\$42.05 ea.
CBL-301407-B.*	Closet Liner for 30"	28-3/4" (730 mm) W x 12-5/8" (321 mm) D x 3-25/32" (94 mm) H	Black	\$29.00	\$27.25 ea.
CBL-301411-B.*	Closet Liner for 30"	28-3/4" (730 mm) W x 12-5/8" (321 mm) D x 7-25/32" (198 mm) H	Black	\$36.55	\$33.20 ea.
CBL-301418-B.*	Closet Liner for 30"	28-3/4" (730 mm) W x 12-5/8" (321 mm) D x 14-25/32" (376 mm) H	Black	\$48.15	\$47.00 ea.
Cloth Liner for 16" Deep Pullout Basket					
CBL-181607-B.*	Closet Liner for 18"	16-3/4" (425 mm) W x 14-5/8" (371 mm) D x 3-25/32" (94 mm) H	Black	\$29.30	\$26.10 ea.
CBL-181611-B.*	Closet Liner for 18"	16-3/4" (425 mm) W x 14-5/8" (371 mm) D x 7-25/32" (198 mm) H	Black	\$36.10	\$33.20 ea.
CBL-181618-B.*	Closet Liner for 18"	16-3/4" (425 mm) W x 14-5/8" (371 mm) D x 14-25/32" (376 mm) H	Black	\$48.00	\$41.75 ea.
CBL-241607-B.*	Closet Liner for 24"	22-3/4" (578 mm) W x 14-5/8" (371 mm) D x 3-25/32" (94 mm) H	Black	\$29.60	\$27.85 ea.
CBL-241611-B.*	Closet Liner for 24"	22-3/4" (578 mm) W x 14-5/8" (371 mm) D x 7-25/32" (198 mm) H	Black	\$37.70	\$34.65 ea.
CBL-241618-B.*	Closet Liner for 24"	22-3/4" (578 mm) W x 14-5/8" (371 mm) D x 14-25/32" (376 mm) H	Black	\$51.75	\$48.30 ea.
CBL-301607-B.*	Closet Liner for 30"	28-3/4" (730 mm) W x 14-5/8" (371 mm) D x 3-25/32" (94 mm) H	Black	\$30.15	\$28.15 ea.
CBL-301611-B.*	Closet Liner for 30"	28-3/4" (730 mm) W x 14-5/8" (371 mm) D x 7-25/32" (198 mm) H	Black	\$37.85	\$35.50 ea.
CBL-301618-B.*	Closet Liner for 30"	28-3/4" (730 mm) W x 14-5/8" (371 mm) D x 14-25/32" (376 mm) H	Black	\$50.75	\$49.15 ea.
Cloth Liner for 20" Deep Pullout Basket					
CBL-182007-B.*	Closet Liner for 18"	16-3/4" (376 mm) W x 18-5/8" (473 mm) D x 3-25/32" (94 mm) H	Black	\$30.30	\$26.55 ea.
CBL-182011-B.*	Closet Liner for 18"	16-3/4" (376 mm) W x 18-5/8" (473 mm) D x 7-25/32" (198 mm) H	Black	\$38.00	\$31.90 ea.
CBL-182018-B.*	Closet Liner for 18"	16-3/4" (376 mm) W x 18-5/8" (473 mm) D x 14-25/32" (376 mm) H	Black	\$54.25	\$42.90 ea.
CBL-242007-B.*	Closet Liner for 24"	22-3/4" (578 mm) W x 18-5/8" (473 mm) D x 3-25/32" (94 mm) H	Black	\$34.50	\$27.85 ea.
CBL-242011-B.*	Closet Liner for 24"	22-3/4" (578 mm) W x 18-5/8" (473 mm) D x 7-25/32" (198 mm) H	Black	\$43.95	\$35.80 ea.
CBL-242018-B.*	Closet Liner for 24"	22-3/4" (578 mm) W x 18-5/8" (473 mm) D x 14-25/32" (376 mm) H	Black	\$59.00	\$49.30 ea.

NOTE: * Product available in individual (1) or (3) packs. See Page 282 for CB series wire baskets. Sold separately. Closet Liners are also available in tan! See next page.

- Available in (33) sizes
- Designed to fit our patented CB Series Baskets (No. D546,101)
- Easy-to-install and machine washable
- Hook and loop fasteners



PRODUCT	DESCRIPTION	DIMS	FINISH	SLP (1)	SLP (3)
Cloth Liners for 12" Deep Pullout Baskets (Individual and Bulk Pack)					
CBL-181207-T-*	Closet Liner for 18" Closet Basket	16-3/4" (425 mm) W x 10-5/8" (270 mm) D x 3-25/32" (94 mm) H	Tan	\$30.15	\$28.00 ea.
CBL-181211-T-*	Closet Liner for 18" Closet Basket	16-3/4" (425 mm) W x 10-5/8" (270 mm) D x 7-25/32" (198 mm) H	Tan	\$37.40	\$37.00 ea.
CBL-181218-T-*	Closet Liner for 18" Closet Basket	16-3/4" (425 mm) W x 10-5/8" (270 mm) D x 14-25/32" (376 mm) H	Tan	\$40.90	\$39.79 ea.
CBL-241207-T-*	Closet Liner for 24" Closet Basket	22-3/4" (578 mm) W x 10-5/8" (270 mm) D x 3-25/32" (94 mm) H	Tan	\$25.95	\$24.80 ea.
CBL-241211-T-*	Closet Liner for 24" Closet Basket	22-3/4" (578 mm) W x 10-5/8" (270 mm) D x 7-25/32" (198 mm) H	Tan	\$31.45	\$29.60 ea.
CBL-241218-T-*	Closet Liner for 24" Closet Basket	22-3/4" (578 mm) W x 10-5/8" (270 mm) D x 14-25/32" (376 mm) H	Tan	\$44.65	\$39.30 ea.
CBL-301207-T-*	Closet Liner for 30" Closet Basket	28-3/4" (730 mm) W x 10-5/8" (270 mm) D x 3-25/32" (94 mm) H	Tan	\$26.95	\$25.40 ea.
CBL-301211-T-*	Closet Liner for 30" Closet Basket	28-3/4" (730 mm) W x 10-5/8" (270 mm) D x 7-25/32" (279 mm) H	Tan	\$33.65	\$31.60 ea.
CBL-301218-T-*	Closet Liner for 30" Closet Basket	28-3/4" (730 mm) W x 10-5/8" (270 mm) D x 14-25/32" (376 mm) H	Tan	\$45.80	\$42.65 ea.
Cloth Liners for 14" Deep Pullout Baskets (Individual and Bulk Pack)					
CBL-181407-T-*	Closet Liner for 18" Closet Basket	16-3/4" (425 mm) W x 10-5/8" (270 mm) D x 3-25/32" (94 mm) H	Tan	\$27.40	\$25.50 ea.
CBL-181411-T-*	Closet Liner for 18" Closet Basket	16-3/4" (425 mm) W x 10-5/8" (270 mm) D x 7-25/32" (198 mm) H	Tan	\$34.50	\$29.70 ea.
CBL-181418-T-*	Closet Liner for 18" Closet Basket	16-3/4" (425 mm) W x 10-5/8" (270 mm) D x 14-25/32" (376 mm) H	Tan	\$45.95	\$39.15 ea.
CBL-241407-T-*	Closet Liner for 24" Closet Basket	22-3/4" (578 mm) W x 10-5/8" (270 mm) D x 3-25/32" (94 mm) H	Tan	\$28.25	\$26.70 ea.
CBL-241411-T-*	Closet Liner for 24" Closet Basket	22-3/4" (578 mm) W x 10-5/8" (270 mm) D x 7-25/32" (198 mm) H	Tan	\$35.50	\$32.65 ea.
CBL-241418-T-*	Closet Liner for 24" Closet Basket	22-3/4" (578 mm) W x 10-5/8" (270 mm) D x 14-25/32" (376 mm) H	Tan	\$46.85	\$42.05 ea.
CBL-301407-T-*	Closet Liner for 30" Closet Basket	28-3/4" (730 mm) W x 10-5/8" (270 mm) D x 3-25/32" (94 mm) H	Tan	\$29.00	\$27.25 ea.
CBL-301411-T-*	Closet Liner for 30" Closet Basket	28-3/4" (730 mm) W x 10-5/8" (270 mm) D x 7-25/32" (279 mm) H	Tan	\$36.55	\$33.20 ea.
CBL-301418-T-*	Closet Liner for 30" Closet Basket	28-3/4" (730 mm) W x 10-5/8" (270 mm) D x 14-25/32" (376 mm) H	Tan	\$48.00	\$45.10 ea.
Cloth Liners for 16" Deep Pullout Baskets (Individual and Bulk Pack)					
CBL-181607-T-*	Closet Liner for 18" Closet Basket	16-3/4" (425 mm) W x 10-5/8" (270 mm) D x 3-25/32" (94 mm) H	Tan	\$29.60	\$26.25 ea.
CBL-181611-T-*	Closet Liner for 18" Closet Basket	16-3/4" (425 mm) W x 10-5/8" (270 mm) D x 7-25/32" (198 mm) H	Tan	\$36.10	\$31.30 ea.
CBL-181618-T-*	Closet Liner for 18" Closet Basket	16-3/4" (425 mm) W x 10-5/8" (270 mm) D x 14-25/32" (376 mm) H	Tan	\$48.00	\$39.15 ea.
CBL-241607-T-*	Closet Liner for 24" Closet Basket	22-3/4" (578 mm) W x 10-5/8" (270 mm) D x 3-25/32" (94 mm) H	Tan	\$29.60	\$27.85 ea.
CBL-241611-T-*	Closet Liner for 24" Closet Basket	22-3/4" (578 mm) W x 10-5/8" (270 mm) D x 7-25/32" (198 mm) H	Tan	\$38.00	\$34.80 ea.
CBL-241618-T-*	Closet Liner for 24" Closet Basket	22-3/4" (578 mm) W x 10-5/8" (270 mm) D x 14-25/32" (376 mm) H	Tan	\$51.75	\$48.30 ea.
CBL-301607-T-*	Closet Liner for 30" Closet Basket	28-3/4" (730 mm) W x 10-5/8" (270 mm) D x 3-25/32" (94 mm) H	Tan	\$30.15	\$28.70 ea.
CBL-301611-T-*	Closet Liner for 30" Closet Basket	28-3/4" (730 mm) W x 10-5/8" (270 mm) D x 7-25/32" (279 mm) H	Tan	\$37.70	\$35.50 ea.
CBL-301618-T-*	Closet Liner for 30" Closet Basket	28-3/4" (730 mm) W x 10-5/8" (270 mm) D x 14-25/32" (376 mm) H	Tan	\$50.30	\$49.75 ea.
Cloth Liners for 20" Deep Pullout Baskets (Individual and Bulk Pack)					
CBL-182007-T-*	Closet Liner for 18" Closet Basket	16-3/4" (376 mm) W x 18-5/8" (473 mm) D x 3-25/32" (94 mm) H	Tan	\$30.15	\$26.55 ea.
CBL-182011-T-*	Closet Liner for 18" Closet Basket	16-3/4" (376 mm) W x 18-5/8" (473 mm) D x 7-25/32" (198 mm) H	Tan	\$38.00	\$31.60 ea.
CBL-182018-T-*	Closet Liner for 18" Closet Basket	16-3/4" (376 mm) W x 18-5/8" (473 mm) D x 14-25/32" (376 mm) H	Tan	\$54.40	\$43.05 ea.
CBL-242007-T-*	Closet Liner for 24" Closet Basket	22-3/4" (578 mm) W x 18-5/8" (473 mm) D x 3-25/32" (94 mm) H	Tan	\$34.50	\$27.85 ea.
CBL-242011-T-*	Closet Liner for 24" Closet Basket	22-3/4" (578 mm) W x 18-5/8" (473 mm) D x 7-25/32" (198 mm) H	Tan	\$43.95	\$35.80 ea.
CBL-242018-T-*	Closet Liner for 24" Closet Basket	22-3/4" (578 mm) W x 18-5/8" (473 mm) D x 14-25/32" (376 mm) H	Tan	\$59.00	\$49.30 ea.

NOTE: * Product available in individual (1) or (3) packs. See Page 282 for CB series wire baskets. Sold separately. Closet Liners are also available in black! See previous page.

Plastic Liner for CB Series

CBM Series



- Designed to fit our patented CB Series Baskets (US Patent No. D546,101)
- Matte
- Drop-in installation
- Easy to clean

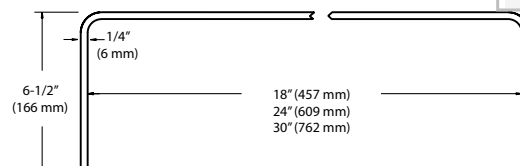
PRODUCT	DESCRIPTION	DIMS	FINISH	SLP (1)	SLP (3)
Plastic Liners for 14" Deep Pullout Baskets (Individual and Bulk Pack)					
CBM-181407-P.*	Plastic Liner for 18" Closet Basket	15-7/8" (403 mm) W x 11-5/8" (295 mm) D x 1/32" (.9 mm) H	Matte	\$7.85	\$6.40 ea.
CBM-181411-P.*	Plastic Liner for 18" Closet Basket	15-1/8" (384 mm) W x 10-5/8" (270 mm) D x 1/32" (.9 mm) H	Matte	\$10.75	\$7.10 ea.
CBM-181418-P.*	Plastic Liner for 18" Closet Basket	13-7/8" (352 mm) W x 9-3/8" (238 mm) D x 1/32" (.9 mm) H	Matte	\$7.85	\$4.05 ea.
CBM-241407-P.*	Plastic Liner for 24" Closet Basket	21-5/8" (549 mm) W x 11-1/4" (283 mm) D x 1/32" (.9 mm) H	Matte	\$7.95	\$5.50 ea.
CBM-241411-P.*	Plastic Liner for 24" Closet Basket	20-7/8" (530 mm) W x 10-5/8" (279 mm) D x 1/32" (.9 mm) H	Matte	\$7.95	\$6.10 ea.
CBM-241418-P.*	Plastic Liner for 24" Closet Basket	19-3/8" (492 mm) W x 9-1/8" (232 mm) D x 1/32" (.9 mm) H	Matte	\$7.95	\$6.10 ea.
CBM-301407-P.*	Plastic Liner for 30" Closet Basket	27-7/8" (708 mm) W x 11-3/8" (289 mm) D x 1/32" (.9 mm) H	Matte	\$17.55	\$12.45 ea.
CBM-301411-P.*	Plastic Liner for 30" Closet Basket	26-7/8" (683 mm) W x 10-5/8" (270 mm) D x 1/32" (.9 mm) H	Matte	\$14.50	\$12.45 ea.
CBM-301418-P.*	Plastic Liner for 30" Closet Basket	25-5/8" (651 mm) W x 9-3/8" (238 mm) D x 1/32" (.9 mm) H	Matte	\$14.50	\$12.45 ea.
Plastic Liners for 16" Deep Pullout Baskets (Individual and Bulk Pack)					
CBM-181607-P.*	Plastic Liner for 18" Closet Basket	15-5/8" (397 mm) W x 13-3/8" (340 mm) D x 1/32" (.9 mm) H	Matte	\$8.70	\$5.50 ea.
CBM-181611-P.*	Plastic Liner for 18" Closet Basket	14-7/8" (378 mm) W x 12-5/8" (321 mm) D x 1/32" (.9 mm) H	Matte	\$8.70	\$5.50 ea.
CBM-181618-P.*	Plastic Liner for 18" Closet Basket	13-5/8" (346 mm) W x 11-3/8" (289 mm) D x 1/32" (.9 mm) H	Matte	\$8.70	\$5.50 ea.
CBM-241607-P.*	Plastic Liner for 24" Closet Basket	21-5/8" (549 mm) W x 13-3/8" (340 mm) D x 1/32" (.9 mm) H	Matte	\$8.85	\$6.95 ea.
CBM-241611-P.*	Plastic Liner for 24" Closet Basket	21-1/8" (536 mm) W x 12-5/8" (321 mm) D x 1/32" (.9 mm) H	Matte	\$8.85	\$6.95 ea.
CBM-241618-P.*	Plastic Liner for 24" Closet Basket	19-7/8" (505 mm) W x 11-5/8" (295 mm) D x 1/32" (.9 mm) H	Matte	\$8.85	\$6.95 ea.
CBM-301607-P.*	Plastic Liner for 30" Closet Basket	27-3/8" (543 mm) W x 13-3/8" (340 mm) D x 1/32" (.9 mm) H	Matte	\$17.55	\$12.45 ea.
CBM-301611-P.*	Plastic Liner for 30" Closet Basket	27-1/8" (689 mm) W x 12-5/8" (321 mm) D x 1/32" (.9 mm) H	Matte	\$17.55	\$12.45 ea.
CBM-301618-P.*	Plastic Liner for 30" Closet Basket	25-5/8" (651 mm) W x 11-1/2" (292 mm) D x 1/32" (.9 mm) H	Matte	\$14.50	\$12.45 ea.

* Product available in individual (1) or (3) packs.

CTMB Series

- Allows you to utilize the patented CB Series baskets (US Patent No. D546,101) in openings that are not the standard 18", 24" or 30" widths
- Simply mount the bracket to the underside of a shelf and then attach the basket

Top Mount Brackets for CB Series Baskets



PRODUCT	DESCRIPTION	DIMS	FINISH	SLP (1)	SLP (3)
Top Mount Brackets for CB Series					
CTMB-18.*	Top Mount Brackets for 18" (457 mm) Basket	Minimum opening 18-1/2" (470 mm)	Aluminum	\$31.05	\$25.10 ea.
CTMB-24.*	Top Mount Brackets for 24" (610 mm) Basket	Minimum opening 24-1/2" (622 mm)	Aluminum	\$33.35	\$27.55ea.
CTMB-30.*	Top Mount Brackets for 30" (762 mm) Basket	Minimum opening 30-1/2" (775 mm)	Aluminum	\$36.10	\$30.15 ea.

NOTE: *Product available in individual (1 Pair) or (3 Pair) packs.



- Designed for 14" depth closet cabinets
- Available in (3) heights 5", 10" or 17" and (3) widths 18", 24" or 30"
- Installs easily in 32 mm applications
- Easy to remove baskets rest securely on hooks
- Full-extension, ball-bearing slides (included)
- Available in chrome, bronze and satin nickel
- Basket canvas and plastic liners (sold separately, pg. 292)



Coated clips protect the finish, stabilize the basket and allows for easy removal and replacement.

SIDELINES[®]
REV-A-SHELF



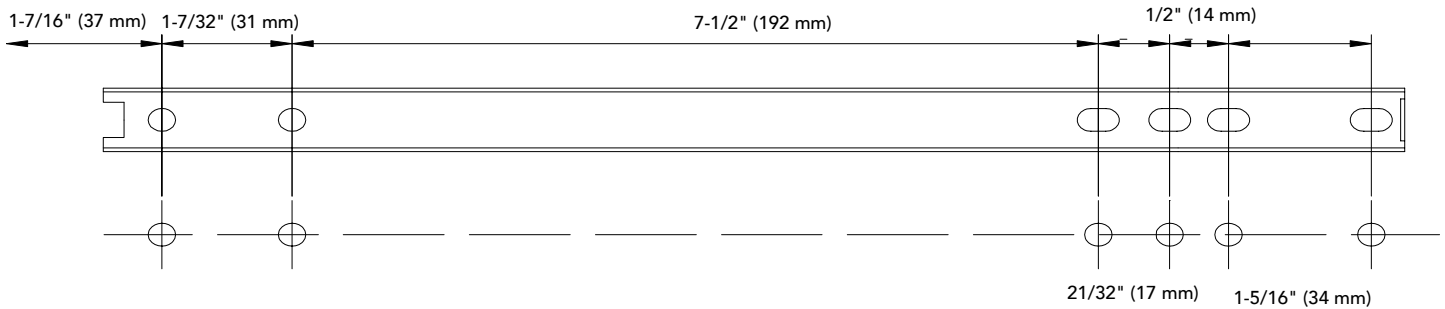
CBSL-181417CR-1
Chrome,
18" wide, 14" deep, 17" height



CBSL-241410BZ-1
Bronze,
24" wide, 14" deep, 10" height



CBSL-301405SN-1
Satin Nickel,
30" wide, 14" deep, 5" height

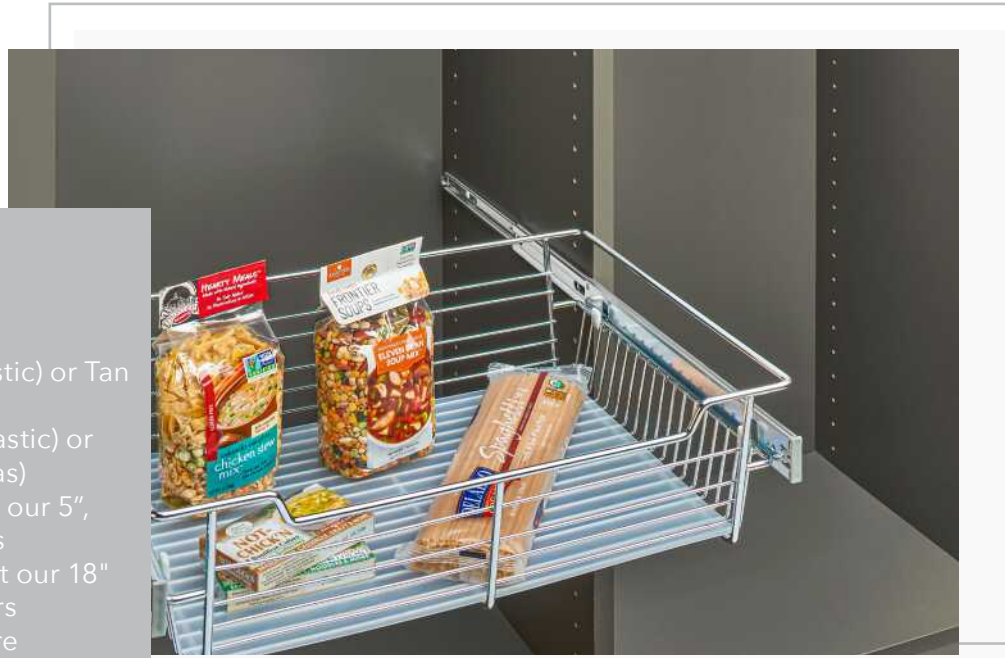


* Product available in individual (1) or (3) packs

Closet Basket Pullout

PRODUCT	DESCRIPTION	DIMS	FINISH	SLP (1)	SLP (3)
CBSL-181405CR-*	Closet Basket Pullout	18" (457 mm) W x 14" (356 mm) D x 5-3/8" (137 mm) H	Chrome	\$74.95	\$61.35 ea.
CBSL-181410CR-*	Closet Basket Pullout	18" (457 mm) W x 14" (356 mm) D x 10-7/16" (265 mm) H	Chrome	\$94.70	\$79.15 ea.
CBSL-181417CR-*	Closet Basket Pullout	18" (457 mm) W x 14" (356 mm) D x 17" (432 mm) H	Chrome	\$109.35	\$91.65 ea.
CBSL-241405CR-*	Closet Basket Pullout	24" (609 mm) W x 14" (356 mm) D x 5-3/8" (137 mm) H	Chrome	\$82.20	\$69.30 ea.
CBSL-241410CR-*	Closet Basket Pullout	24" (609 mm) W x 14" (356 mm) D x 10-7/16" (265 mm) H	Chrome	\$103.40	\$89.05 ea.
CBSL-241417CR-*	Closet Basket Pullout	24" (609 mm) W x 14" (356 mm) D x 17" (432 mm) H	Chrome	\$119.90	\$103.25 ea.
CBSL-301405CR-*	Closet Basket Pullout	30" (762 mm) W x 14" (356 mm) D x 5-3/8" (137 mm) H	Chrome	\$91.05	\$78.15 ea.
CBSL-301410CR-*	Closet Basket Pullout	30" (762 mm) W x 14" (356 mm) D x 10-7/16" (265 mm) H	Chrome	\$113.75	\$98.90 ea.
CBSL-301417CR-*	Closet Basket Pullout	30" (762 mm) W x 14" (356 mm) D x 17" (432 mm) H	Chrome	\$128.75	\$111.95 ea.
CBSL-181405BZ-*	Closet Basket Pullout	18" (457 mm) W x 14" (356 mm) D x 5-3/8" (137 mm) H	Bronze	\$71.20	\$57.85 ea.
CBSL-181410BZ-*	Closet Basket Pullout	18" (457 mm) W x 14" (356 mm) D x 10-7/16" (265 mm) H	Bronze	\$86.70	\$71.35 ea.
CBSL-181417BZ-*	Closet Basket Pullout	18" (457 mm) W x 14" (356 mm) D x 17" (432 mm) H	Bronze	\$101.50	\$83.95 ea.
CBSL-241405BZ-*	Closet Basket Pullout	24" (609 mm) W x 14" (356 mm) D x 5-3/8" (137 mm) H	Bronze	\$77.60	\$64.65 ea.
CBSL-241410BZ-*	Closet Basket Pullout	24" (609 mm) W x 14" (356 mm) D x 10-7/16" (265 mm) H	Bronze	\$93.40	\$79.15 ea.
CBSL-241417BZ-*	Closet Basket Pullout	24" (609 mm) W x 14" (356 mm) D x 17" (432 mm) H	Bronze	\$109.45	\$92.65 ea.
CBSL-301405BZ-*	Closet Basket Pullout	30" (762 mm) W x 14" (356 mm) D x 5-3/8" (137 mm) H	Bronze	\$84.95	\$71.75 ea.
CBSL-301410BZ-*	Closet Basket Pullout	30" (762 mm) W x 14" (356 mm) D x 10-7/16" (265 mm) H	Bronze	\$102.20	\$88.00 ea.
CBSL-301417BZ-*	Closet Basket Pullout	30" (762 mm) W x 14" (356 mm) D x 17" (432 mm) H	Bronze	\$120.35	\$103.70 ea.
CBSL-181405SN-*	Closet Basket Pullout	18" (457 mm) W x 14" (356 mm) D x 5-3/8" (137 mm) H	Satin Nickel	\$89.45	\$76.15 ea.
CBSL-181410SN-*	Closet Basket Pullout	18" (457 mm) W x 14" (356 mm) D x 10-7/16" (265 mm) H	Satin Nickel	\$116.45	\$100.90 ea.
CBSL-181417SN-*	Closet Basket Pullout	18" (457 mm) W x 14" (356 mm) D x 17" (432 mm) H	Satin Nickel	\$136.45	\$118.75 ea.
CBSL-241405SN-*	Closet Basket Pullout	24" (609 mm) W x 14" (356 mm) D x 5-3/8" (137 mm) H	Satin Nickel	\$99.45	\$86.40 ea.
CBSL-241410SN-*	Closet Basket Pullout	24" (609 mm) W x 14" (356 mm) D x 10-7/16" (265 mm) H	Satin Nickel	\$127.75	\$113.55 ea.
CBSL-241417SN-*	Closet Basket Pullout	24" (609 mm) W x 14" (356 mm) D x 17" (432 mm) H	Satin Nickel	\$150.50	\$133.85 ea.
CBSL-301405SN-*	Closet Basket Pullout	30" (762 mm) W x 14" (356 mm) D x 5-3/8" (137 mm) H	Satin Nickel	\$110.95	\$97.90 ea.
CBSL-301410SN-*	Closet Basket Pullout	30" (762 mm) W x 14" (356 mm) D x 10-7/16" (265 mm) H	Satin Nickel	\$145.45	\$131.20 ea.
CBSL-301417SN-*	Closet Basket Pullout	30" (762 mm) W x 14" (356 mm) D x 17" (432 mm) H	Satin Nickel	\$175.60	\$158.80 ea.

- (3) variations available
 - Plastic Liner
 - Canvas Basket
 - Canvas Hamper
- Available in matte (Plastic) or Tan (Canvas)
- Drop-in installation (Plastic) or with Velcro tabs (Canvas)
- Canvas basket liners fit our 5", 10" and 17" tall baskets
- Canvas hamper bags fit our 18" and 24" tilt-out hampers
- Canvas hampers feature elasticized bag opening and fold-down handles
- Easy to clean
- Compatible with Sidelines By Rev-A-Shelf® baskets



CBLSL-181405-T-1
Canvas Bag Liner

Canvas Bag Liners

PRODUCT	DESCRIPTION	Dims	FINISH	SLP
CBLSL-181405-T-1	18" W x 14" D x 5" Closet Basket Liner	17-5/32" (436 mm) W x 12-11/32" (313 mm) D x 5" (127 mm) H	Tan	\$27.25
CBLSL-181410-T-1	18" W x 14" D x 10" Closet Basket Liner	17-5/32" (436 mm) W x 12-11/32" (313 mm) D x 10" (254 mm) H	Tan	\$30.75
CBLSL-181417-T-1	18" W x 14" D x 17" Closet Basket Liner	17-5/32" (436 mm) W x 12-11/32" (313 mm) D x 16-9/16" (421 mm) H	Tan	\$34.80
CBLSL-241405-T-1	24" W x 14" D x 5" Closet Basket Liner	23-3/16" (589 mm) W x 12-11/32" (313 mm) D x 5" (127 mm) H	Tan	\$29.30
CBLSL-241410-T-1	24" W x 14" D x 10" Closet Basket Liner	23-3/16" (589 mm) W x 12-11/32" (313 mm) D x 10" (254 mm) H	Tan	\$33.20
CBLSL-241417-T-1	24" W x 14" D x 17" Closet Basket Liner	23-3/16" (589 mm) W x 12-11/32" (313 mm) D x 16-9/16" (421 mm) H	Tan	\$40.75
CBLSL-301405-T-1	30" W x 14" D x 5" Closet Basket Liner	29-3/16" (741 mm) W x 12-11/32" (313 mm) D x 5" (127 mm) H	Tan	\$31.20
CBLSL-301410-T-1	30" W x 14" D x 10" Closet Basket Liner	29-3/16" (741 mm) W x 12-11/32" (313 mm) D x 10" (254 mm) H	Tan	\$35.80
CBLSL-301417-T-1	30" W x 14" D x 17" Closet Basket Liner	29-3/16" (741 mm) W x 12-11/32" (313 mm) D x 16-9/16" (421 mm) H	Tan	\$44.65

Hamper Bag Liners

CTOHLSL-16-1	19" H x 16" W x 13" D Hamper Liner	15-1/2" (393 mm) W x 12-19/32" (320 mm) D x 21-27/32" (555 mm) H	Tan	\$38.30
CTOHLSL-21-1	21" H x 16" W x 13" D Hamper Liner	20-1/2" (521 mm) W x 12-19/32" (320 mm) D x 21-27/32" (555 mm) H	Tan	\$41.75

Plastic Liner

CBMSL-181405-P-1	Plastic Liner for 18" W x 14" D x 5" Closet Basket	15-1/8" (384 mm) W x 10-7/8" (275 mm) D x 1/32" (.8 mm) H	Matte	\$16.40
CBMSL-181410-P-1	Plastic Liner for 18" W x 14" D x 10" Closet Basket	13-1/2" (343 mm) W x 9-5/16" (236 mm) D x 1/32" (.8 mm) H	Matte	\$15.95
CBMSL-241405-P-1	Plastic Liner for 24" W x 14" D x 5" Closet Basket	21-5/32" (537 mm) W x 10-7/8" (275 mm) D x 1/32" (.8 mm) H	Matte	\$17.40
CBMSL-241410-P-1	Plastic Liner for 24" W x 14" D x 10" Closet Basket	19-1/2" (495 mm) W x 9-5/16" (236 mm) D x 1/32" (.8 mm) H	Matte	\$16.70
CBMSL-301405-P-1	Plastic Liner for 30" W x 14" D x 5" Closet Basket	27-3/16" (691 mm) W x 10-7/8" (275 mm) D x 1/32" (.8 mm) H	Matte	\$17.85
CBMSL-301410-P-1	Plastic Liner for 30" W x 14" D x 10" Closet Basket	25-19/32" (651 mm) W x 9-5/16" (236 mm) D x 1/32" (.8 mm) H	Matte	\$17.40



- Available in black 18", 24" and 30" cloth hamper or chrome 18" and 24"
- Unique, slanted rim design for clearance with tilt-down hamper cabinet doors
- Heavy gauge 2.8 mm and 5.8 mm steel wire construction
- Flap stay and door mounting bracket hardware included
- Door hinges (sold separately)

CTOHSL-30-1



CTOHBSL-211419-CR-1
Chrome Tilt-Out Hamper
(24" version)



CTOHBSL-FS-1
Flap Stay mechanism

SIDELINES[®]
REV-A-SHELF

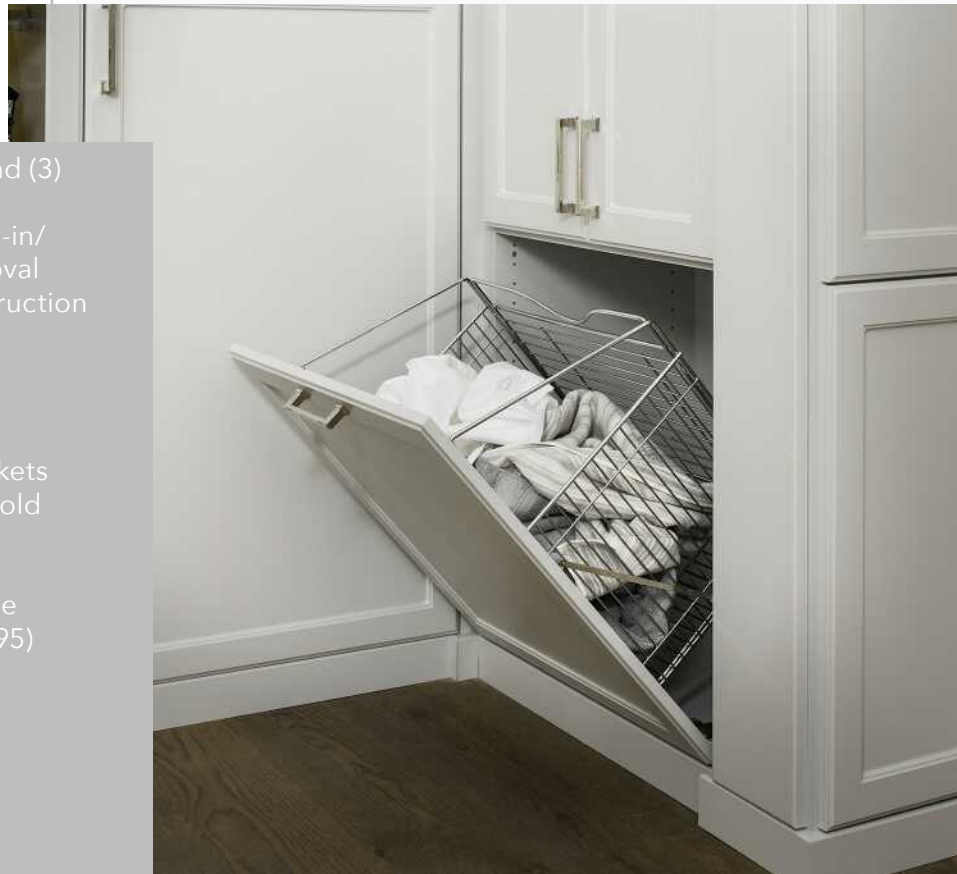
Tilt-Out Hampers

PRODUCT	DESCRIPTION	DIMS	MCO	FINISH	SLP
CTOHSL-18-1	Cloth Tilt-Out Hamper for 18" Closet	16" (406 mm) W x 13-1/2" (343 mm) D x 19-1/2" (495 mm) H	18" (457 mm)	Black	\$80.75
CTOHSL-24-1	Cloth Tilt-Out Hamper for 24" Closet	21" (533 mm) W x 13-1/2" (343 mm) D x 19-1/2" (495 mm) H	24" (610 mm)	Black	\$83.25
CTOHSL-30-1	Cloth Tilt-Out Hamper for 30" Closet	27" (686 mm) W x 13-1/2" (343 mm) D x 19-1/2" (495 mm) H	30" (762 mm)	Black	\$91.35
CTOHBSL-161419-CR-1	Tilt-Out Hamper for 18" Closet	16" (406 mm) W x 13-1/2" (343 mm) D x 19-1/2" (495 mm) H	18" (457 mm)	Chrome	\$121.20
CTOHBSL-211419-CR-1	Tilt-Out Hamper for 24" Closet	21" (533 mm) W x 13-1/2" (343 mm) D x 19-1/2" (495 mm) H	24" (610 mm)	Chrome	\$130.35

Accessories

CTOHBSL-FS-1	Flap Stay for Tip-Out Hamper	1-11/16" (43 mm) W x 1-11/16" (43 mm) D x 10-1/2" (267 mm) H		Chrome	\$30.00
--------------	------------------------------	--	--	--------	---------

- Available in (2) sizes and (3) finishes
- Simple one-step "slide-in/ slide-out" basket removal
- Heavy duty wire construction
- 1.7 bushels (55 qt.) for the 16" wide unit
- 2.3 bushels (74 qt.) for the 21" wide unit
- Door attachment brackets
- Flap stay mechanism sold separately
- Door hinges included
- Canvas liner(s) available (sold separately, pg. 295)



CTOHB-161319-CR-52



CTOHB-211319-CR-52
Chrome, 2.3 BU Hamper



CTOHB-211319-ORB-52
Oil Rubbed Bronze, 2.3 BU Hamper



CTOHB-211319-FS-1
Flap Stay mechanism
(Sold Separately)

Wire Tilt-Out Hamper

PRODUCT	DESCRIPTION	DIMS	MCO	FINISH	SLP
CTOHB-161319-CR-52	1.7 BU Hamper	15-1/2" (394 mm) W x 13-1/2" (343 mm) D x 19-3/4" (502 mm) H	16-1/2" (419 mm)	Chrome	\$92.50
CTOHB-211319-CR-52	2.3 BU Hamper	20-1/2" (521 mm) W x 13-1/2" (343 mm) D x 19-3/4" (502 mm) H	21-1/2" (546 mm)	Chrome	\$101.80
CTOHB-161319-SN-52	1.7 BU Hamper	15-1/2" (394 mm) W x 13-1/2" (343 mm) D x 19-3/4" (502 mm) H	16-1/2" (419 mm)	Satin Nickel	\$100.05
CTOHB-211319-SN-52	2.3 BU Hamper	20-1/2" (521 mm) W x 13-1/2" (343 mm) D x 19-3/4" (502 mm) H	21-1/2" (546 mm)	Satin Nickel	\$110.95
CTOHB-161319-ORB-52	1.7 BU Hamper	15-1/2" (394 mm) W x 13-1/2" (343 mm) D x 19-3/4" (502 mm) H	16-1/2" (419 mm)	Oil Rubbed Bronze	\$100.05
CTOHB-211319-ORB-52	2.3 BU Hamper	20-1/2" (521 mm) W x 13-1/2" (343 mm) D x 19-3/4" (502 mm) H	21-1/2" (546 mm)	Oil Rubbed Bronze	\$111.20

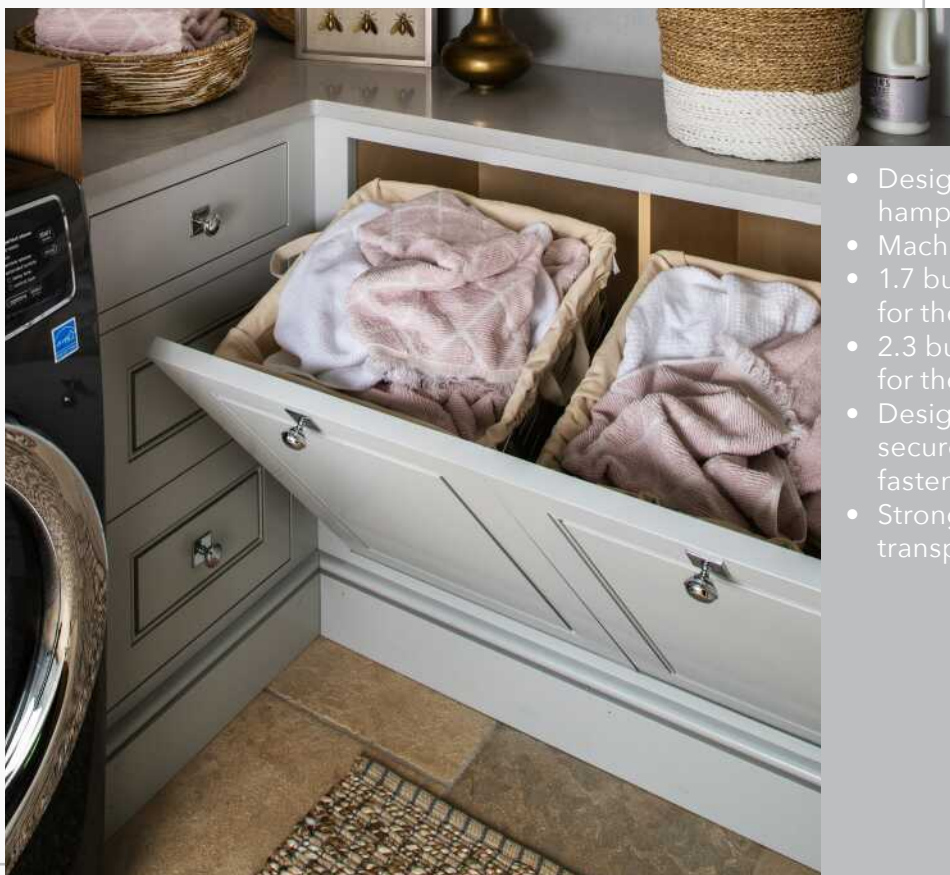
Accessories

CTOHB-211319-FS-1	Flap Stay for Slated Wire Hamper	1-11/16" (43 mm) W x 1-11/16" (43 mm) D x 10-1/2" (267 mm) H		Chrome	\$30.00
-------------------	----------------------------------	--	--	--------	---------

NOTE: Does not include piano hinges or catches/stays for your door.

Cloth Liners for CTOHB series

CTOHB Series



- Designed for our CTOHB Series hampers
- Machine washable canvas bag
- 1.7 bushels (55 qt.) for the 16" wide unit
- 2.3 bushels (74 qt.) for the 21" wide unit
- Designed to fit tight and securely with hook and loop fasteners
- Strong handles for easy transport and removal

CTOHB-21-I-1



Available in Black and Tan

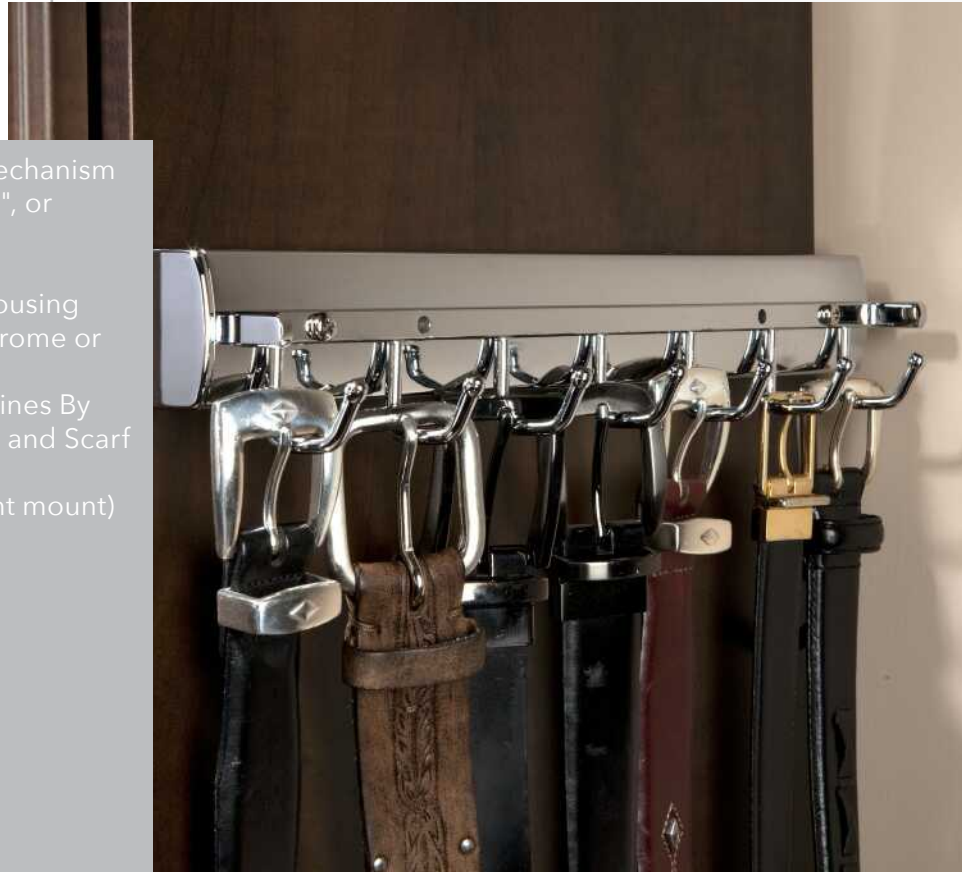


Built-in Handle

Cloth Liner for CTOHB

PRODUCT	DESCRIPTION	FINISH	SLP
CTOHB-16-I-1	1.7 BU Cloth Liner for CTOHB-161319 14-15/32" (368 mm) W x 12-5/32" (309 mm) D x 19-1/32" (483 mm) H	Black	\$43.05
CTOHB-21-I-1	2.3 BU Cloth Liner for CTOHB-211319 19-15/32" (495 mm) W x 12-5/32" (309 mm) D x 19-1/32" (483 mm) H	Black	\$47.70
CTOHT-16-I-1	1.7 BU Cloth Liner for CTOHB-161319 14-15/32" (368 mm) W x 12-5/32" (309 mm) D x 19-1/32" (483 mm) H	Tan	\$43.35
CTOHT-21-I-1	2.3 BU Cloth Liner for CTOHB-211319 19-15/32" (495 mm) W x 12-5/32" (309 mm) D x 19-1/32" (483 mm) H	Tan	\$47.25

- One-touch pop-out mechanism
- Fits panel depths of 14", or greater
- Holds up to (7) belts
- Cast aluminum slide housing
- Available in bronze, chrome or satin nickel
- Coordinates with Sidelines By Rev-A-Shelf® Valet, Tie and Scarf Accessory Racks
- Reversible (Left or Right mount)



BRCPOSL-14-CR-1

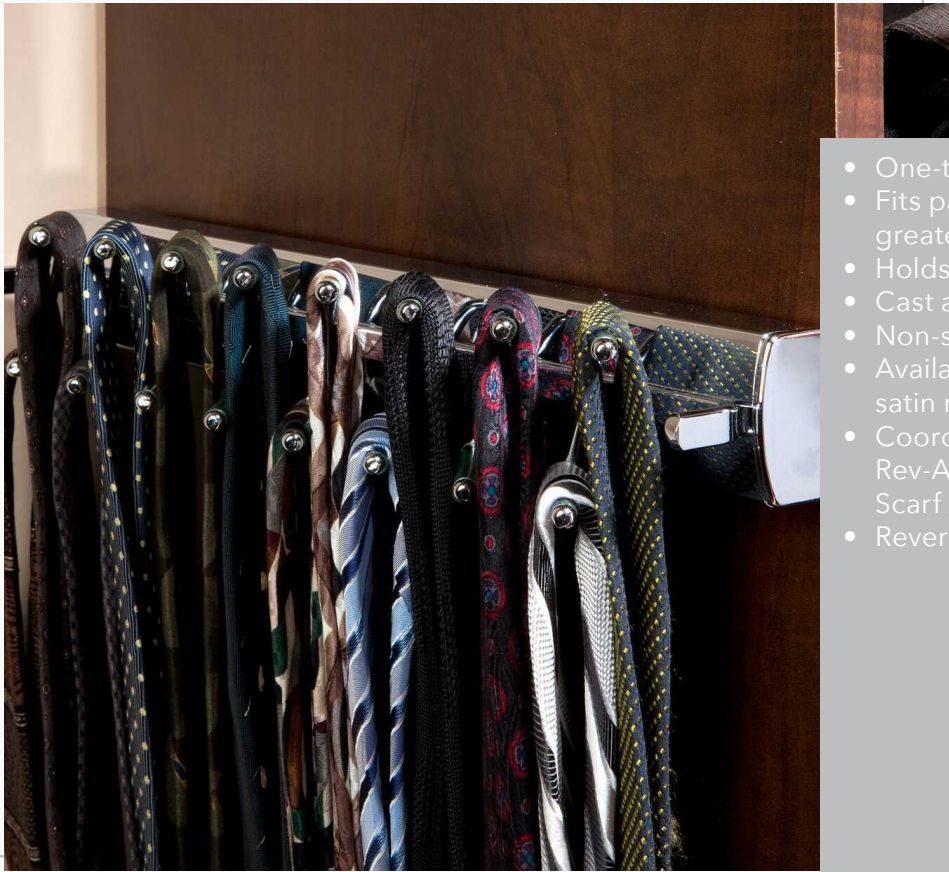


Deluxe Pop-Out Belt Rack

PRODUCT	DESCRIPTION	DIMS	FINISH	SLP
BRCPOSL-14-CR-1	14" Pop-Out Deluxe Belt Rack	2-1/8" (54 mm) W x 13-15/32" (342 mm) D x 2-3/16" (56 mm) H	Chrome	\$61.05
BRCPOSL-14-BZ-1	14" Pop-Out Deluxe Belt Rack	2-1/8" (54 mm) W x 13-15/32" (342 mm) D x 2-3/16" (56 mm) H	Bronze	\$69.60
BRCPOSL-14-SN-1	14" Pop-Out Deluxe Belt Rack	2-1/8" (54 mm) W x 13-15/32" (342 mm) D x 2-3/16" (56 mm) H	Satin Nickel	\$69.60

Deluxe Pop-Out Tie Rack

TRCPOSL Series



- One-touch pop-out mechanism
- Fits panel depths of 14", or greater
- Holds up to (16) ties
- Cast aluminum slide housing
- Non-slip soft PVC coated pegs
- Available in bronze, chrome or satin nickel
- Coordinates with Sidelines By Rev-A-Shelf® Valet, Belt and Scarf Accessory Racks
- Reversible (Left or Right mount)

TRCPOSL-14-CR-1

SIDELINES[®]
REV-A-SHELF

Closet
Solutions

Deluxe Pop-Out Tie Rack

PRODUCT	DESCRIPTION	DIMS	FINISH	SLP
TRCPOSL-14-CR-1	14" Pop-Out Deluxe Tie Rack	2-1/4" (57 mm) W x 13-15/32" (342 mm) D x 2" (51 mm) H	Chrome	\$67.15
TRCPOSL-14-BZ-1	14" Pop-Out Deluxe Tie Rack	2-1/4" (57 mm) W x 13-15/32" (342 mm) D x 2" (51 mm) H	Bronze	\$77.15
TRCPOSL-14-SN-1	14" Pop-Out Deluxe Tie Rack	2-1/4" (57 mm) W x 13-15/32" (342 mm) D x 2" (51 mm) H	Satin Nickel	\$77.15

- Fits panel depths of 14", or greater
- Holds up to (7) belts
- Over-extension, ball-bearing, steel slide with pivoting roller hinge
- Locks in place after pivoting
- Cast aluminum slide housing
- Non-slip soft PVC coated pegs
- Available in bronze, chrome, satin chrome or satin nickel
- US Patent No. 8,028,844 B2
- Reversible (Left or Right mount)



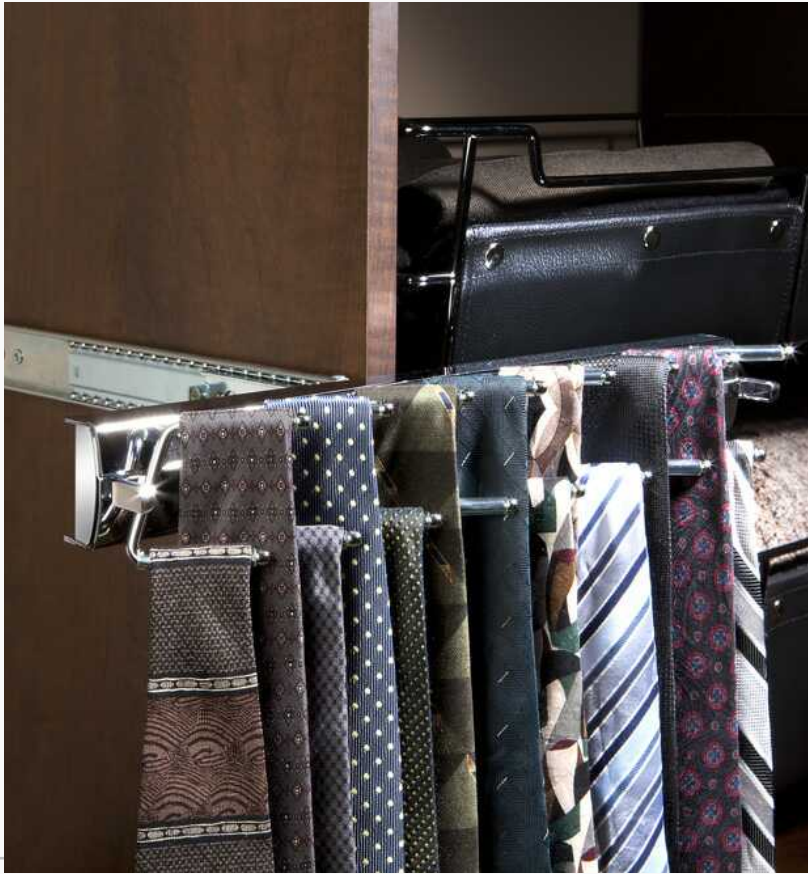
CSWBRSL-14-CR-1



Closet Solutions

Premier Swivel Belt Rack

PRODUCT	DESCRIPTION	DIMS	FINISH	SLP
CSWBRSL-14-CR-1	14" Premier Swivel Belt Rack	2-15/16" (63 mm) W x 13-11/16" (348 mm) D x 2-1/4" (57 mm) H	Chrome	\$75.10
CSWBRSL-14-BZ-1	14" Premier Swivel Belt Rack	2-15/16" (63 mm) W x 13-11/16" (348 mm) D x 2-1/4" (57 mm) H	Bronze	\$75.10
CSWBRSL-14-SN-1	14" Premier Swivel Belt Rack	2-15/16" (63 mm) W x 13-11/16" (348 mm) D x 2-1/4" (57 mm) H	Satin Nickel	\$75.10
CSWBRSL-14-SC-1	14" Premier Swivel Belt Rack	2-15/16" (63 mm) W x 13-11/16" (348 mm) D x 2-1/4" (57 mm) H	Satin Chrome	\$75.10



- Fits panel depths of 14", or greater
- Holds up to (16) ties
- Over-extension, ball-bearing, steel slide with pivoting roller hinge
- Locks in place after pivoting
- Cast aluminum slide housing
- Non-slip soft PVC coated pegs
- Available in bronze, chrome, satin chrome or satin nickel
- US Patent No. 8,028,844 B2
- Reversible (Left or Right mount)

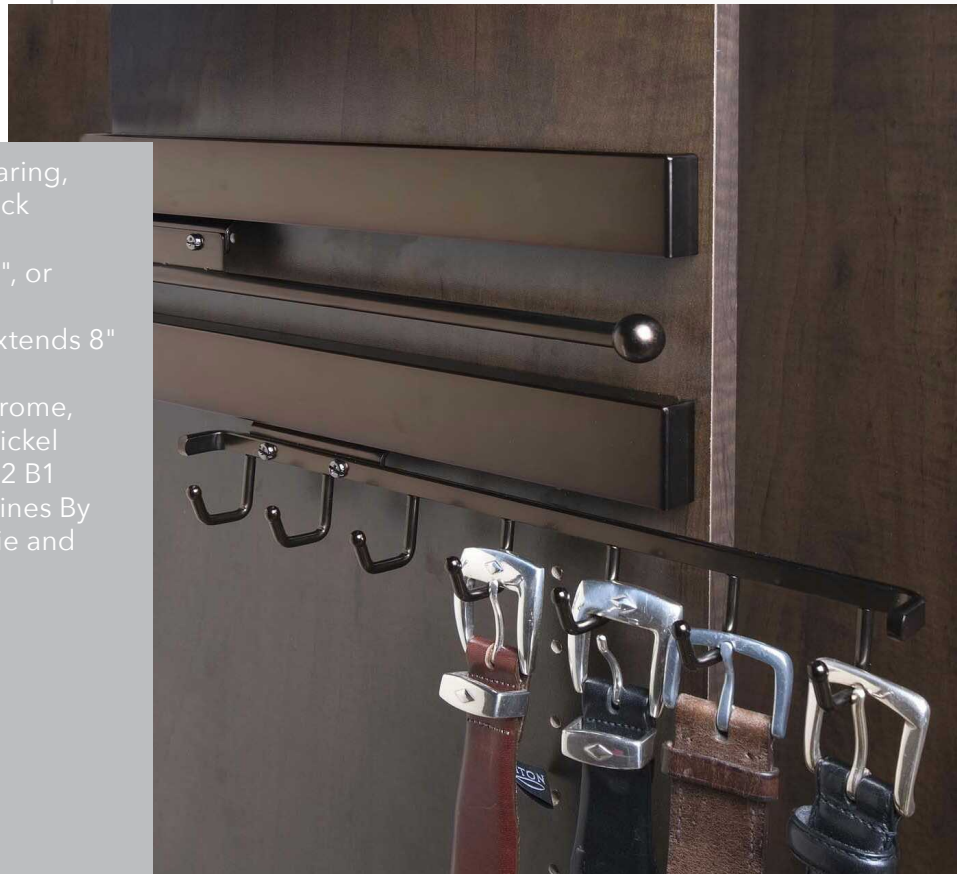
CSWTRSL-14-CR-1

SIDELINES[®]
REV-A-SHELF

Premier Swivel Tie Rack

PRODUCT	DESCRIPTION	DIMS	FINISH	SLP
CSWTRSL-14-CR-1	14" Premier Swivel Tie Rack	2-9/16" (65 mm) W x 13-11/16" (348 mm) D x 2" (51 mm) H	Chrome	\$82.65
CSWTRSL-14-BZ-1	14" Premier Swivel Tie Rack	2-9/16" (65 mm) W x 13-11/16" (348 mm) D x 2" (51 mm) H	Bronze	\$82.65
CSWTRSL-14-SN-1	14" Premier Swivel Tie Rack	2-9/16" (65 mm) W x 13-11/16" (348 mm) D x 2" (51 mm) H	Satin Nickel	\$82.65
CSWTRSL-14-SC-1	14" Premier Swivel Tie Rack	2-9/16" (65 mm) W x 13-11/16" (348 mm) D x 2" (51 mm) H	Satin Chrome	\$82.65

- Full-extension, ball-bearing, steel slide with steel rack housing
- Fits panel depths of 14", or greater
- 10 mm diameter rod extends 8"
- Holds up to (7) belts
- Available in bronze, chrome, satin chrome or satin nickel
- US Patent No. 6,679,392 B1
- Coordinates with Sidelines By Rev-A-Shelf® Deluxe Tie and Scarf Racks



CBRSL-14-BZ-1



Deluxe Slide Belt Rack

PRODUCT	DESCRIPTION	DIMS	FINISH	SLP
CBRSL-14-CR-1	14" Deluxe Slide Belt Rack	2-3/16" (56 mm) W x 13-25/32" (350 mm) D x 3-7/16" (87 mm) H	Chrome	\$54.10
CBRSL-14-BZ-1	14" Deluxe Slide Belt Rack	2-3/16" (56 mm) W x 13-25/32" (350 mm) D x 3-7/16" (87 mm) H	Bronze	\$62.50
CBRSL-14-SN-1	14" Deluxe Slide Belt Rack	2-3/16" (56 mm) W x 13-25/32" (350 mm) D x 3-7/16" (87 mm) H	Satin Nickel	\$64.95
CBRSL-14-SC-1	14" Deluxe Slide Belt Rack	2-3/16" (56 mm) W x 13-25/32" (350 mm) D x 3-7/16" (87 mm) H	Satin Chrome	\$62.50



- Full-extension, ball-bearing, steel slide with steel rack housing
- Fits panel depths of 14", or greater
- 10 mm diameter rod extends 8"
- Holds up to (16) ties
- Available in bronze, chrome, satin chrome or satin nickel
- US Patent No. 6,679,392 B1
- Coordinates with Sidelines By Rev-A-Shelf® Deluxe Belt and Scarf Racks

CTRSL-14-SN-1

SIDELINES[®]
REV-A-SHELF

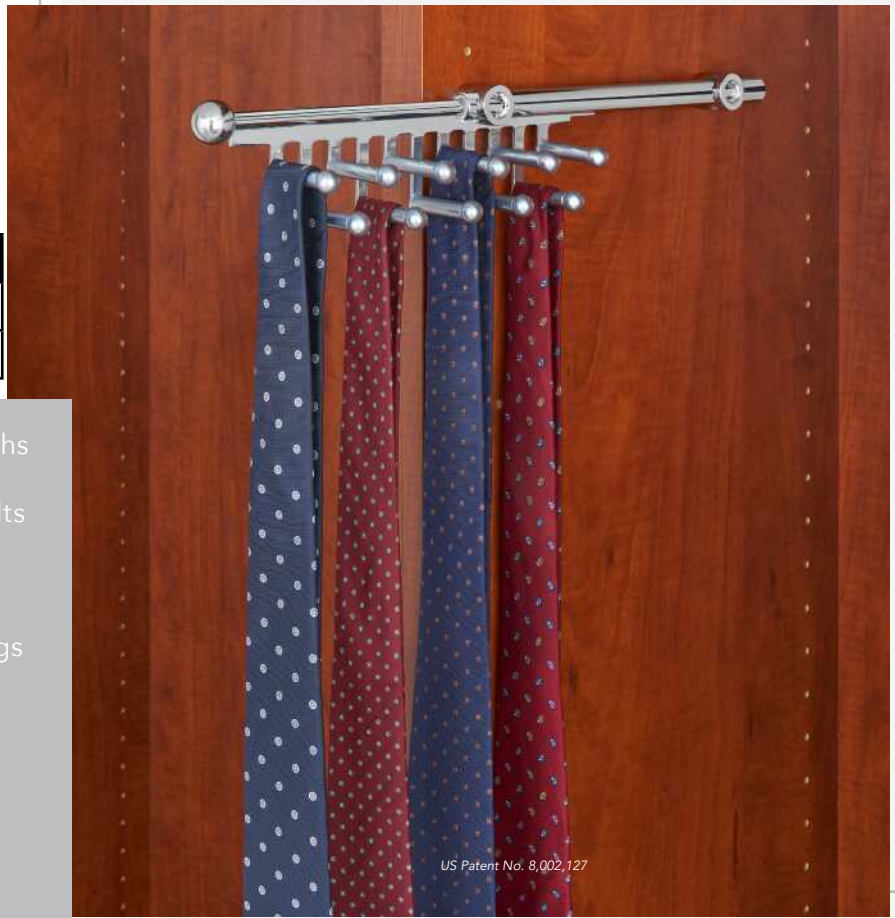
Deluxe Slide Tie Rack

PRODUCT	DESCRIPTION	DIMS	FINISH	SLP
CTRSL-14-CR-1	14" Deluxe Slide Tie Rack	2-5/16" (59 mm) W x 13-25/32" (350 mm) D x 3-3/32" (79 mm) H	Chrome	\$60.05
CTRSL-14-BZ-1	14" Deluxe Slide Tie Rack	2-5/16" (59 mm) W x 13-25/32" (350 mm) D x 3-3/32" (79 mm) H	Bronze	\$70.05
CTRSL-14-SN-1	14" Deluxe Slide Tie Rack	2-5/16" (59 mm) W x 13-25/32" (350 mm) D x 3-3/32" (79 mm) H	Satin Nickel	\$70.05
CTRSL-14-SC-1	14" Deluxe Slide Tie Rack	2-5/16" (59 mm) W x 13-25/32" (350 mm) D x 3-3/32" (79 mm) H	Satin Chrome	\$70.05



Simple Installation

DEPTH	TIES (CTR)	BELTS (CBSR)
12"	11	5 Pegs
14"	15	6 Pegs



US Patent No. 8,002,127

- Available in 12" and 14" depths
- Holds up to 11 (12") and 15 (14") ties or scarves, or (6) belts
- Features a fully accessible 8-3/16" (6-3/4" for 12" depth) telescoping rod
- Non-slip soft PVC coated pegs
- Available in chrome, satin nickel and oil-rubbed bronze
- Patented design (US Patent No. D651,415) for Tie/Scarf Organizer
- Patented design (US Patent No. D651,414) for Belt/Scarf Organizer
- Adjustable mounting brackets

CTR-12-CR



CTR-12-CR
12" Chrome
Tie/Scarf Organizer



CTR-14-ORB
14" Oil-Rubbed Bronze
Tie/Scarf Organizer



CBSR-12-SN
12" Satin Nickel
Belt/Scarf Organizer



CBSR-14-ORB
14" Oil-Rubbed Bronze
Belt/Scarf Organizer

Tie/Scarf Organizer

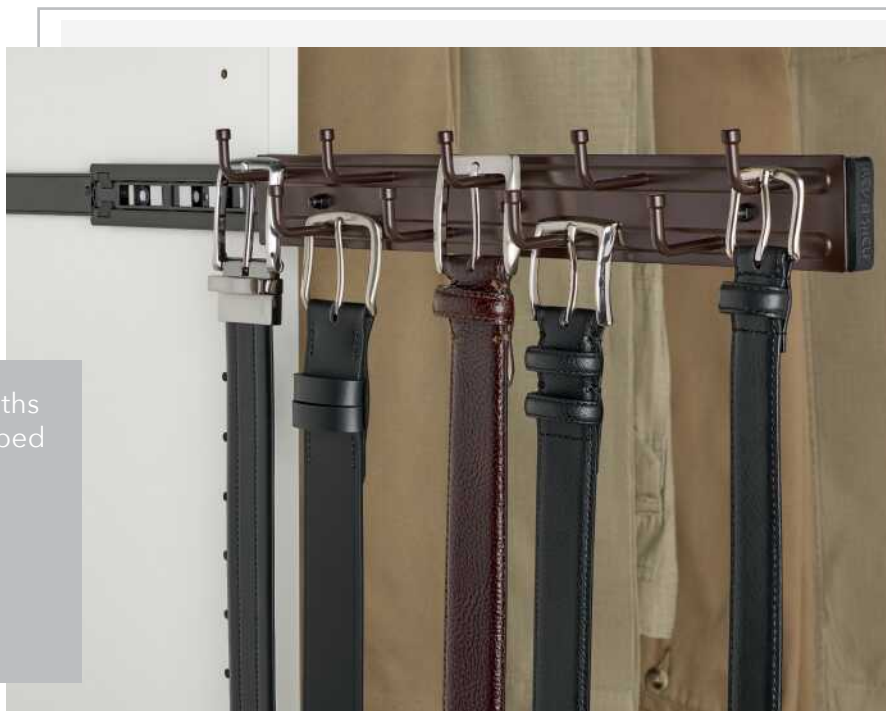
PRODUCT	DESCRIPTION	DIMS	FINISH	SLP
CTR-12-CR	12" Tie/Scarf Organizer	11-7/8" (302 mm) - 18-1/2" (470 mm) L x 2-13/16" (71 mm) W x 2-15/16" (75 mm) H	Chrome	\$44.35
CTR-12-SN	12" Tie/Scarf Organizer	11-7/8" (302 mm) - 18-1/2" (470 mm) L x 2-13/16" (71 mm) W x 2-15/16" (75 mm) H	Satin Nickel	\$44.40
CTR-12-ORB	12" Tie/Scarf Organizer	11-7/8" (302 mm) - 18-1/2" (470 mm) L x 2-13/16" (71 mm) W x 2-15/16" (75 mm) H	Oil-Rubbed Bronze	\$45.65
CTR-14-CR	14" Tie/Scarf Organizer	13-7/8" (353 mm) - 21-7/8" (556 mm) L x 2-13/16" (71 mm) W x 2-15/16" (75 mm) H	Chrome	\$45.65
CTR-14-SN	14" Tie/Scarf Organizer	13-7/8" (353 mm) - 21-7/8" (556 mm) L x 2-13/16" (71 mm) W x 2-15/16" (75 mm) H	Satin Nickel	\$48.00
CTR-14-ORB	14" Tie/Scarf Organizer	13-7/8" (353 mm) - 21-7/8" (556 mm) L x 2-13/16" (71 mm) W x 2-15/16" (75 mm) H	Oil-Rubbed Bronze	\$47.85

Belt/Scarf Organizer

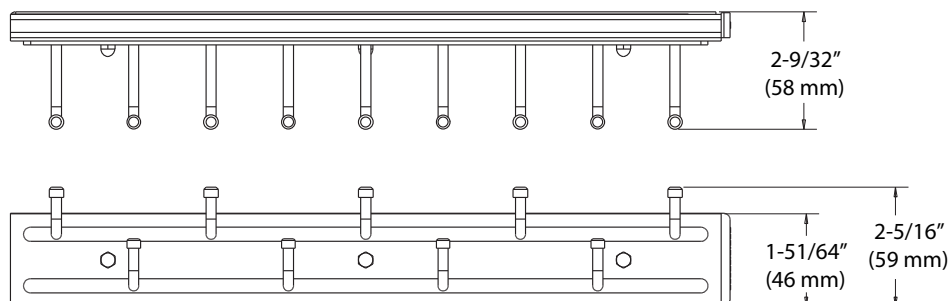
CBSR-12-CR	12" Belt/Scarf Organizer	11-7/8" (302 mm) - 18-1/2" (470 mm) L x 2-13/16" (71 mm) W x 1-7/8" (48 mm) H	Chrome	\$38.30
CBSR-14-CR	14" Belt/Scarf Organizer	13-7/8" (353 mm) - 21-7/8" (556 mm) L x 2-13/16" (71 mm) W x 1-7/8" (48 mm) H	Chrome	\$43.50
CBSR-14-SN	14" Belt/Scarf Organizer	13-7/8" (353 mm) - 21-7/8" (556 mm) L x 2-13/16" (71 mm) W x 1-7/8" (48 mm) H	Satin Nickel	\$40.30
CBSR-14-ORB	14" Belt/Scarf Organizer	13-7/8" (353 mm) - 21-7/8" (556 mm) L x 2-13/16" (71 mm) W x 1-7/8" (48 mm) H	Oil-Rubbed Bronze	\$42.35

DEPTH	BELTS
12"	7
14"	9

- Available in 12" and 14" depths
- Available in chrome, oil-rubbed bronze and satin nickel
- Holds up to (9) belts
- Full-extension, ball-bearing slide



BRC-14ORB



BRC-12SN
12" Satin Nickel
Belt Rack



BRC-14CR
14" Chrome
Belt Rack



BRC-14ORB
14" Oil-Rubbed Bronze
Belt Rack

Side Mount Belt Rack

PRODUCT	DESCRIPTION	DIMS	FINISH	SLP
12" Side Mount Belt Rack				
BRC-12CR	Belt Rack	2-1/2" (62 mm) W x 12" (305 mm) D x 1-7/8" (46 mm) H	Chrome	\$24.20
BRC-12SN	Belt Rack	2-1/2" (62 mm) W x 12" (305 mm) D x 1-7/8" (46 mm) H	Satin Nickel	\$22.45
BRC-12ORB	Belt Rack	2-1/2" (62 mm) W x 12" (305 mm) D x 1-7/8" (46 mm) H	Oil-Rubbed Bronze	\$21.75
14" Side Mount Belt Rack				
BRC-14CR	Belt Rack	2-1/2" (62 mm) W x 14" (356 mm) D x 1-7/8" (46 mm) H	Chrome	\$25.10
BRC-14SN	Belt Rack	2-1/2" (62 mm) W x 14" (356 mm) D x 1-7/8" (46 mm) H	Satin Nickel	\$25.95
BRC-14ORB	Belt Rack	2-1/2" (62 mm) W x 14" (356 mm) D x 1-7/8" (46 mm) H	Oil-Rubbed Bronze	\$26.10

BRCSL Series

- Fits panel depths of 14" or greater
- Holds up to (7) belts
- Reversible (Left or Right mount)
- 14" long
- Easy installation with (2) screws

SIDELINES
REV-A-SHELF

Wall Mount Belt Rack



Wall Mount Belt Rack

PRODUCT	DESCRIPTION	DIMS	FINISH	SLP
BRCSL-14NS-CR-1	14" Wall Mount Belt Rack	1-15/32" (37 mm) W x 13-15/32" (342 mm) D x 1-9/16" (40 mm) H	Chrome	\$22.75

TRCSL Series

- Fits panel depths of 14", or greater
- Holds up to (16) Ties
- Reversible (Left or Right mount)
- 14" long
- Easy installation with (2) screws

SIDELINES
REV-A-SHELF

Wall Mount Tie Rack



Wall Mount Tie Rack

PRODUCT	DESCRIPTION	DIMS	FINISH	SLP
TRCSL-14NS-CR-1	14" Wall Mount Tie Rack	1-5/8" (41 mm) W x 13-15/32" (342 mm) D x 2" (51 mm) H	Chrome	\$28.85

CSFRSL Series

- Fits 14" deep or greater cabinetry
- Steel construction, (7) loops
- Full-extension, ball-bearing slide
- Universal left or right mount (screws provided)
- US Patent No. 6,679,392 B1
- Coordinates w/ other Sidelines By Rev-A-Shelf® Deluxe Accessories

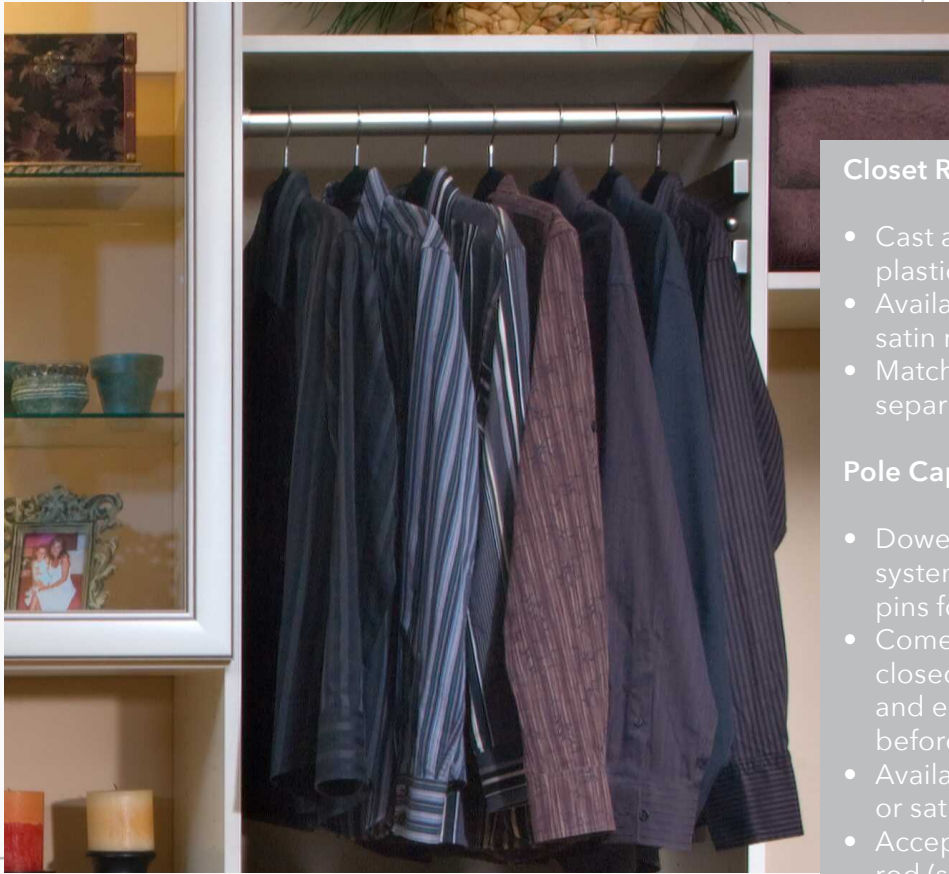
Deluxe Slide Scarf Rack



SIDELINES
REV-A-SHELF

Deluxe Slide Scarf Rack

PRODUCT	DESCRIPTION	DIMS	FINISH	SLP
CSFRSL-14-CR-1	14" Deluxe Slide Scarf Rack	1-25/32" (45 mm) W x 13-25/32" (350 mm) D x 4-1/8" (105 mm) H	Chrome	\$59.75



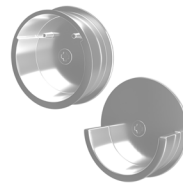
CRSL-96-CR-1

Closet Rods

- Cast aluminum with integrated plastic pole guard
- Available in chrome, bronze or satin nickel
- Matching pole caps (sold separately)

Pole Caps

- Dowel mount: 32 mm closet system flange with 5 mm dowel pins for easy adjustments
- Comes with one open and one closed cap providing stability and enabling you to install them before inserting a closet rod
- Available in bronze, chrome, or satin nickel
- Accepts a 1-5/8" diameter closet rod (sold separately)
- Perfect for closets and bathrooms



CRCSL-CR-1
Closet Rod Cap
(Chrome finish)

SIDELINES[®]
REV-A-SHELF

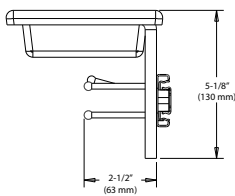
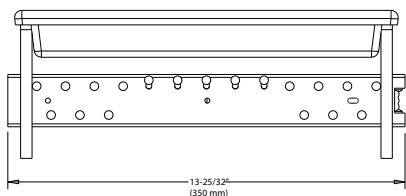
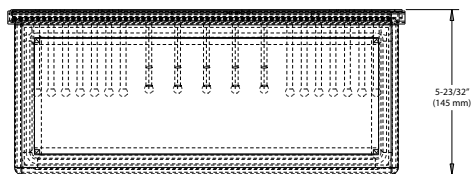
Closet Rod

PRODUCT	DESCRIPTION	DIMS	FINISH	SLP
CRSL-96-CR-1	Closet Rod	96" (2438 mm) W x 1-15/32" (37 mm) D x 1-1/2" (37 mm) H	Chrome	\$91.05
CRSL-96-BZ-1	Closet Rod	96" (2438 mm) W x 1-15/32" (37 mm) D x 1-1/2" (37 mm) H	Bronze	\$91.05
CRSL-96-SN-1	Closet Rod	96" (2438 mm) W x 1-15/32" (37 mm) D x 1-1/2" (37 mm) H	Satin Nickel	\$91.05

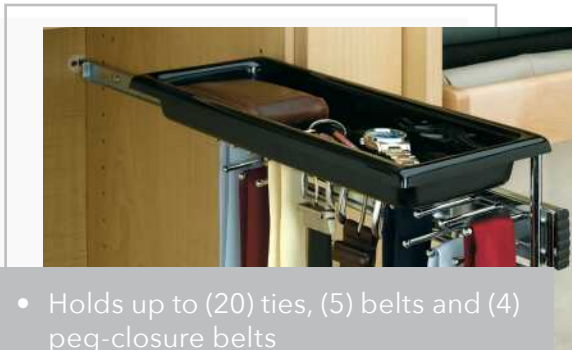
(2) Closet Rod Caps

CRCSL-CR-1	Closet Rod Caps	11/16" (18 mm) W x 2" (51 mm) D x 2" (51 mm) H	Chrome	\$12.05
CRCSL-BZ-1	Closet Rod Caps	11/16" (18 mm) W x 2" (51 mm) D x 2" (51 mm) H	Bronze	\$12.05
CRCSL-SN-1	Closet Rod Caps	11/16" (18 mm) W x 2" (51 mm) D x 2" (51 mm) H	Satin Nickel	\$12.05

TBC Series



Chrome Tie/Belt Rack



- Holds up to (20) ties, (5) belts and (4) peg-closure belts
- Includes a spacious tray for storing loose items
- Chrome pegs and full-extension slides

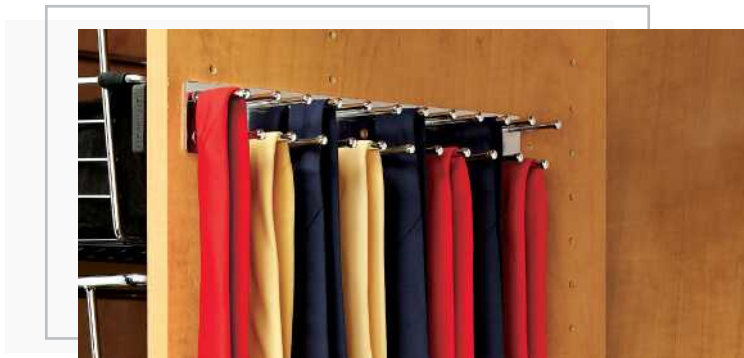
Chrome Tie and Belt Rack

PRODUCT	DESCRIPTION	DIMS	FINISH	SLP
TBC-14TCR	Tie/Belt Rack with Tray	6" (153 mm) W x 14" (256 mm) D x 5" (127 mm) H	Chrome	\$90.50

TRC Series

- Available in chrome, oil-rubbed bronze and satin nickel
- Holds up to (23) ties
- Easy installation

Static Tie Rack



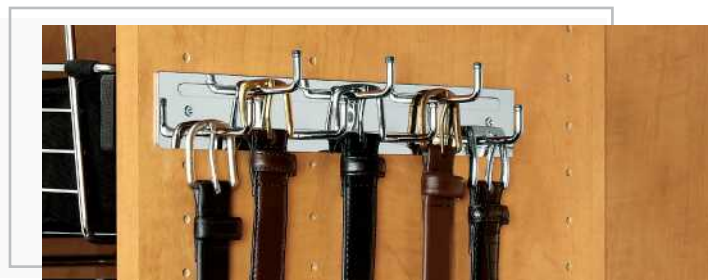
Static Tie Rack

PRODUCT	DESCRIPTION	DIMS	FINISH	SLP
TRC-12NS-CR	Static Tie Rack	1-7/8" (48 mm) W x 11-3/4" (299 mm) D x 1-3/4" (45 mm) H	Chrome	\$17.70
TRC-12NS-SN	Static Tie Rack	1-7/8" (48 mm) W x 11-3/4" (299 mm) D x 1-3/4" (45 mm) H	Satin Nickel	\$16.80
TRC-12NS-ORB	Static Tie Rack	1-7/8" (48 mm) W x 11-3/4" (299 mm) D x 1-3/4" (45 mm) H	Oil-Rubbed Bronze	\$17.25

BRC Series

- Available in chrome, oil-rubbed bronze and satin nickel
- Holds up to (7) belts
- Easy installation

Static Belt Rack

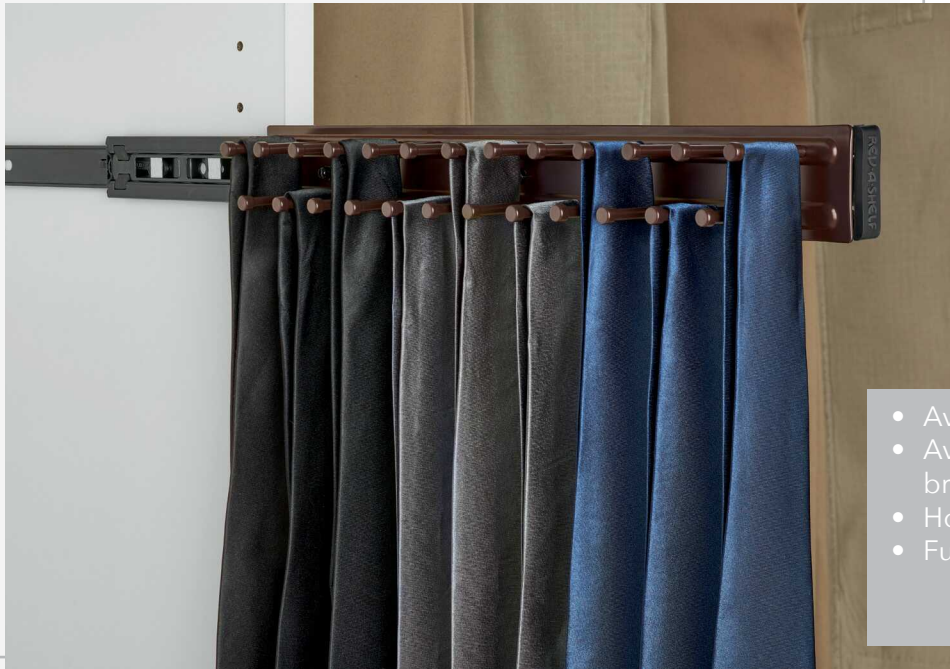


Static Belt Rack

PRODUCT	DESCRIPTION	DIMS	FINISH	SLP
BRC-12NS-CR	Static Belt Rack	1-7/8" (48 mm) W x 11-3/4" (299 mm) D x 1-3/4" (45 mm) H	Chrome	\$18.70
BRC-12NS-SN	Static Belt Rack	1-7/8" (48 mm) W x 11-3/4" (299 mm) D x 1-3/4" (45 mm) H	Satin Nickel	\$13.90
BRC-12NS-ORB	Static Belt Rack	1-7/8" (48 mm) W x 11-3/4" (299 mm) D x 1-3/4" (45 mm) H	Oil-Rubbed Bronze	\$13.35

Side Mount Tie Rack

TRC Series



- Available in 12" and 14" depths
- Available in chrome, oil-rubbed bronze and satin nickel
- Holds up to (25) ties
- Full-extension, ball-bearing slide

TRC-14ORB



Holds up to (25) ties



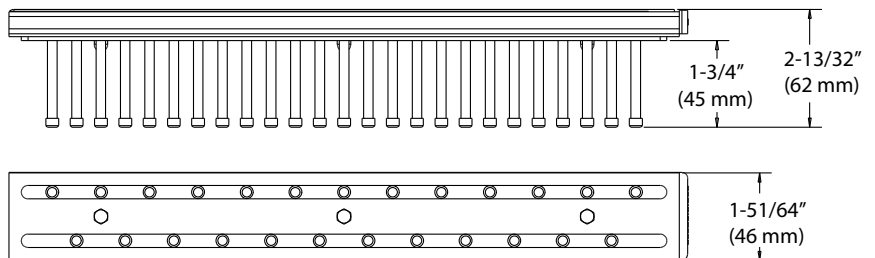
TRC-12CR
12" Chrome



TRC-14SN
14" Satin Nickel



TRC-14ORB
14" Oil-Rubbed Bronze



DEPTH	TIES
12"	23
14"	25

Side Mount Tie Rack

PRODUCT	DESCRIPTION	DIMS	FINISH	SLP
12" Side Mount Tie Rack				
TRC-12CR	Tie Rack	2-1/2" (62 mm) W x 12" (305 mm) D x 1-7/8" (46 mm) H	Chrome	\$24.95
14" Side Mount Tie Rack				
TRC-14CR	Tie Rack	2-1/2" (62 mm) W x 14" (356 mm) D x 1-7/8" (46 mm) H	Chrome	\$26.95
TRC-14SN	Tie Rack	2-1/2" (62 mm) W x 14" (356 mm) D x 1-7/8" (46 mm) H	Satin Nickel	\$26.25
TRC-14ORB	Tie Rack	2-1/2" (62 mm) W x 14" (356 mm) D x 1-7/8" (46 mm) H	Oil-Rubbed Bronze	\$26.40

TIEBUTLER™

DEPTH	TIES
14"	44
16"	52
20"	68

- Installs underneath any shelf in a 7" opening
- Holds up to (68) ties
- Available in white, natural maple and black
- Constructed of solid wood
- Full-extension, ball-bearing slide
- TSCA Title VI compliant



CWTTR-14-1



CWTTR-14W-1
14" White



CWTTR-14B-1
14" Black



CWTTR-16-1
16" Natural Maple



CWTTR-20-1
20" Natural Maple

Top Mount Wood TieButler™

PRODUCT	DESCRIPTION	DIMS	FINISH	SLP
Individual Pack				
CWTTR-14-1	14" TieButler™ - Top Mount	5" (127 mm) W x 13-7/8" (353 mm) D x 3-5/16" (84 mm) H	Maple	\$83.80
CWTTR-14W-1	14" TieButler™ - Top Mount	5" (127 mm) W x 13-7/8" (353 mm) D x 3-5/16" (84 mm) H	White	\$90.35
CWTTR-14B-1	14" TieButler™ - Top Mount	5" (127 mm) W x 13-7/8" (353 mm) D x 3-5/16" (84 mm) H	Black	\$90.75
CWTTR-16-1	16" TieButler™ - Top Mount	5" (127 mm) W x 15-7/8" (404 mm) D x 3-5/16" (84 mm) H	Maple	\$91.50
CWTTR-20-1	20" TieButler™ - Top Mount	5" (127 mm) W x 19-7/8" (505 mm) D x 3-5/16" (84 mm) H	Maple	\$102.10
(10) Top Mount Wood TieButler™				
CWTTR-14-1-10	14" TieButler™ - Top Mount	5" (127 mm) W x 13-7/8" (353 mm) D x 3-5/16" (84 mm) H	Maple	\$70.05 ea.
CWTTR-14W-1-10	14" TieButler™ - Top Mount	5" (127 mm) W x 13-7/8" (353 mm) D x 3-5/16" (84 mm) H	White	\$73.65 ea.
CWTTR-14B-1-10	14" TieButler™ - Top Mount	5" (127 mm) W x 13-7/8" (353 mm) D x 3-5/16" (84 mm) H	Black	\$76.85 ea.
CWTTR-16-1-10	16" TieButler™ - Top Mount	5" (127 mm) W x 15-7/8" (404 mm) D x 3-5/16" (84 mm) H	Maple	\$82.50 ea.
CWTTR-20-1-10	20" TieButler™ - Top Mount	5" (127 mm) W x 19-7/8" (505 mm) D x 3-5/16" (84 mm) H	Maple	\$96.15 ea.

Top Mount Wood BeltButler™

CWTBR Series

BELTBUTLER™



DEPTH	HOOKS
14"	26

- Holds up to (26) belts
- Durable wood construction
- Removable pegs
- Full-extension, ball-bearing slide
- TSCA Title VI compliant



Removable Pegs

Top Mount Wood BeltButler™

PRODUCT	DESCRIPTION	DIMS	FINISH	SLP
CWTBR-14B-1	14" BeltButler™ - Top Mount	4-1/2" (114 mm) W x 13-7/8" (353 mm) D x 3-3/8" (86 mm) H	Black	\$70.90

Side Mount Wood Belt Rack



DEPTH	HOOKS
14"	17
20"	23

- Available in (2) sizes
- Designed for 3" wide spaces
- Holds up to (23) belts
- Full-extension, ball-bearing slide
- TSCA Title VI compliant

CWSBR-14-1



Removable Pegs



CWSBR-20-1
20" Natural Maple



Side Mount Wood Belt Rack

PRODUCT	DESCRIPTION	DIMS	FINISH	SLP
CWSBR-14-1	14" Belt Rack - Side Mount	2-3/4" (70 mm) W x 13-7/8" (353 mm) D x 2-7/8" (73 mm) H	Maple	\$56.85
CWSBR-20-1	20" Belt Rack - Side Mount	2-3/4" (70 mm) W x 19-7/8" (505 mm) D x 2-7/8" (73 mm) H	Maple	\$76.40

Side Mount Wood Tie Rack

CWSTR Series



DEPTH	TIES
14"	22
20"	34

- Holds up to (34) ties securely on non-slip plastic coated pegs
- Made of durable solid wood
- Available in white and natural
- Available in two depths
- Full-extension, ball-bearing slide
- Installs easily with (3) screws
- TSCA Title VI compliant

CWSTR-14-1



CWSTR-14W-1
14" White



CWSTR-20-1
20" Natural

Side Mount Wood Tie Rack

PRODUCT	DESCRIPTION	DIMS	FINISH	SLP
CWSTR-14-1	14" Tie Rack	3-1/16" (78 mm) W x 13-7/8" (353 mm) D x 2-1/4" (58 mm) H	Natural	\$54.95
CWSTR-14W-1	14" Tie Rack	3-1/16" (78 mm) W x 13-7/8" (353 mm) D x 2-1/4" (58 mm) H	White	\$58.75
CWSTR-20-1	20" Tie Rack	3-1/16" (78 mm) W x 19-7/8" (505 mm) D x 2-1/4" (58 mm) H	Natural	\$70.75

(10) Side Mount Wood Tie Racks

CWSTR-14-1-10	(10) 14" Tie Racks	3-1/16" (78 mm) W x 13-7/8" (353 mm) D x 2-1/4" (58 mm) H	Natural	\$51.75 ea.
CWSTR-14W-1-10	(10) 14" Tie Racks	3-1/16" (78 mm) W x 13-7/8" (353 mm) D x 2-1/4" (58 mm) H	White	\$49.15 ea.
CWSTR-20-1-10	(10) 20" Tie Racks	3-1/16" (78 mm) W x 19-7/8" (505 mm) D x 2-1/4" (58 mm) H	Natural	\$61.35 ea.

CVLSL Series

Telescoping Valet Rod

- Cast aluminum rack housing
- Two sizes, 12" or 14"
- Fits panel depths of 12" or greater
- 10 mm diameter rod extends 9.5"
- Holds up to 35 lbs.
- Available in bronze, chrome, satin chrome or satin nickel
- Coordinates with Sidelines By Rev-A-Shelf® Tie, Belt and Scarf Accessory Racks



SIDELINES
REV-A-SHELF

Telescoping Valet Rod

PRODUCT	DESCRIPTION	DIMS	FINISH	SLP
CVLSL-14-CR-1	14" Telescoping Valet Rod	29/32" (23 mm) W x 13-3/4" (349 mm) D x 1-9/16" (40 mm) H	Chrome	\$51.90
CVLSL-14-BZ-1	14" Telescoping Valet Rod	29/32" (23 mm) W x 13-3/4" (349 mm) D x 1-9/16" (40 mm) H	Bronze	\$51.90
CVLSL-14-SN-1	14" Telescoping Valet Rod	29/32" (23 mm) W x 13-3/4" (349 mm) D x 1-9/16" (40 mm) H	Satin Nickel	\$51.90
CVLSL-14-SC-1	14" Telescoping Valet Rod	29/32" (23 mm) W x 13-3/4" (349 mm) D x 1-9/16" (40 mm) H	Satin Chrome	\$51.90

CVLPOSL Series

Pop-Out Valet Rod

- One-touch pop-out mechanism
- Cast aluminum rack housing
- Fits panel depths of 14" or greater
- 10 mm diameter rod extends 7.5"
- Holds up to 35 lbs.
- Available in bronze, chrome, satin chrome or satin nickel
- Coordinates with Sidelines By Rev-A-Shelf® Tie, Belt and Scarf Accessory Racks



SIDELINES
REV-A-SHELF

Pop-Out Valet Rod

PRODUCT	DESCRIPTION	DIMS	FINISH	SLP
CVLPOSL-12-CR-1	12" Pop-Out Valet Rod	29/32" (23 mm) W x 11-25/32" (299 mm) D x 1-9/16" (40 mm) H	Chrome	\$66.55
CVLPOSL-14-CR-1	14" Pop-Out Valet Rod	29/32" (23 mm) W x 13-3/4" (349 mm) D x 1-9/16" (40 mm) H	Chrome	\$71.05
CVLPOSL-14-BZ-1	14" Pop-Out Valet Rod	29/32" (23 mm) W x 13-3/4" (349 mm) D x 1-9/16" (40 mm) H	Bronze	\$71.05
CVLPOSL-14-SN-1	14" Pop-Out Valet Rod	29/32" (23 mm) W x 13-3/4" (349 mm) D x 1-9/16" (40 mm) H	Satin Nickel	\$71.05
CVLPOSL-14-SC-1	14" Pop-Out Valet Rod	29/32" (23 mm) W x 13-3/4" (349 mm) D x 1-9/16" (40 mm) H	Satin Chrome	\$81.65

Deluxe Slide Valet Rod

CVRSL Series



SIDELINES
REV-A-SHELF

- Full-extension, ball-bearing, steel slide with steel rack housing
- Fits panel depths of 14", or greater
- 10 mm diameter rod extends 8"
- Holds up to 45 lbs.
- Available in bronze, chrome, satin chrome or satin nickel
- US Patent No. 6,679,392 B1
- Coordinates with Sidelines By Rev-A-Shelf® Deluxe Tie, Belt and Scarf Racks

Deluxe Slide Valet Rod

PRODUCT	DESCRIPTION	DIMS	FINISH	SLP
CVRSL-14-CR-1	14" Deluxe Slide Valet Rod	1-5/32" (29 mm) W x 13-25/32" (349 mm) D x 3-5/32" (40 mm) H	Chrome	\$47.55
CVRSL-14-BZ-1	14" Deluxe Slide Valet Rod	1-5/32" (29 mm) W x 13-25/32" (349 mm) D x 3-5/32" (40 mm) H	Bronze	\$54.10
CVRSL-14-SN-1	14" Deluxe Slide Valet Rod	1-5/32" (29 mm) W x 13-25/32" (349 mm) D x 3-5/32" (40 mm) H	Satin Nickel	\$54.10
CVRSL-14-SC-1	14" Deluxe Slide Valet Rod	1-5/32" (29 mm) W x 13-25/32" (349 mm) D x 3-5/32" (40 mm) H	Satin Chrome	\$54.10

Adjustable Laundry Valet Rod

CLVSL Series



SIDELINES
REV-A-SHELF

- Steel construction
- Mounting-screws provided
- Extends out to 11"
- Holds up to 35 lbs.
- Available in bronze, chrome, satin chrome or satin nickel

Adjustable Laundry Valet Rod

PRODUCT	DESCRIPTION	DIMS	FINISH	SLP
CLVSL-BZ-1	Laundry Valet Rod	2-15/16" (75 mm) W x 10-29/32" (277 mm) D x 2-15/16" (75 mm) H	Bronze	\$44.95
CLVSL-CR-1	Laundry Valet Rod	2-15/16" (75 mm) W x 10-29/32" (277 mm) D x 2-15/16" (75 mm) H	Chrome	\$38.40
CLVSL-SN-1	Laundry Valet Rod	2-15/16" (75 mm) W x 10-29/32" (277 mm) D x 2-15/16" (75 mm) H	Satin Nickel	\$44.95

CVL Series

Standard Valet Rod

- (1) valet rod
- Installs easily with only four screws
- Offered in chrome, satin nickel and oil-rubbed bronze
- Unique removable pull
- Mounting bracket

Note: Rod pulls out 6"



CVL-12-CR



CVL-12-CR
Chrome



CVL-12-SN
Satin Nickel



CVL-12-ORB
Oil-Rubbed Bronze

Standard Valet Rod

PRODUCT	DESCRIPTION	DIMS	FINISH	SLP
CVL-12-CR	Standard Valet Rod	31/32" (25 mm) W x 11-7/8" (302 mm) D x 1-5/8" (41 mm) H	Chrome	\$21.45
CVL-12-SN	Standard Valet Rod	31/32" (25 mm) W x 11-7/8" (302 mm) D x 1-5/8" (41 mm) H	Satin Nickel	\$21.30
CVL-12-ORB	Standard Valet Rod	31/32" (25 mm) W x 11-7/8" (302 mm) D x 1-5/8" (41 mm) H	Oil-Rubbed Bronze	\$21.30

CVRI Series

Insert Valet Rod

- Ability to open or close the 3-3/4" rod with a single finger
- Removable pull hardware
- 7" Insert Valet Rod is uniquely designed to fit within 3/4" and larger closet panels
- Use the drill guide (sold separately) for a perfect fit and stability

Note: Rod pulls out 3-1/2"



CVRI-7-CR

Closet Valet Rod

PRODUCT	DESCRIPTION	DIMS	FINISH	SLP
CVRI-7-CR	Insert Valet Rod	5/8" (16 mm) W x 7-19/32" (193 mm) - 11-1/8" (283 mm) D x 5/8" (16 mm) H	Chrome	\$21.75
CVRI-7-SN	Insert Valet Rod	5/8" (16 mm) W x 7-19/32" (193 mm) - 11-1/8" (283 mm) D x 5/8" (16 mm) H	Satin Nickel	\$21.75
CVRI-7-ORB	Insert Valet Rod	5/8" (16 mm) W x 7-19/32" (193 mm) - 11-1/8" (283 mm) D x 5/8" (16 mm) H	Oil-Rubbed Bronze	\$21.60
CVRI-DG	Drill Guide w/ Bit	Designed to simplify drilling for the installation of this product, 1/2" drill bit included.		\$137.60



Designer Series Valet Rod

CVR Series



- (1) valet rod
- Adjustable mounting brackets
- Installs easily with only (2) screws
- Offered in chrome, satin nickel and oil-rubbed bronze
- Patented design (US Patent No. D648,141)
- Unique removable pull

CVR-14-ORB



Simple Installation



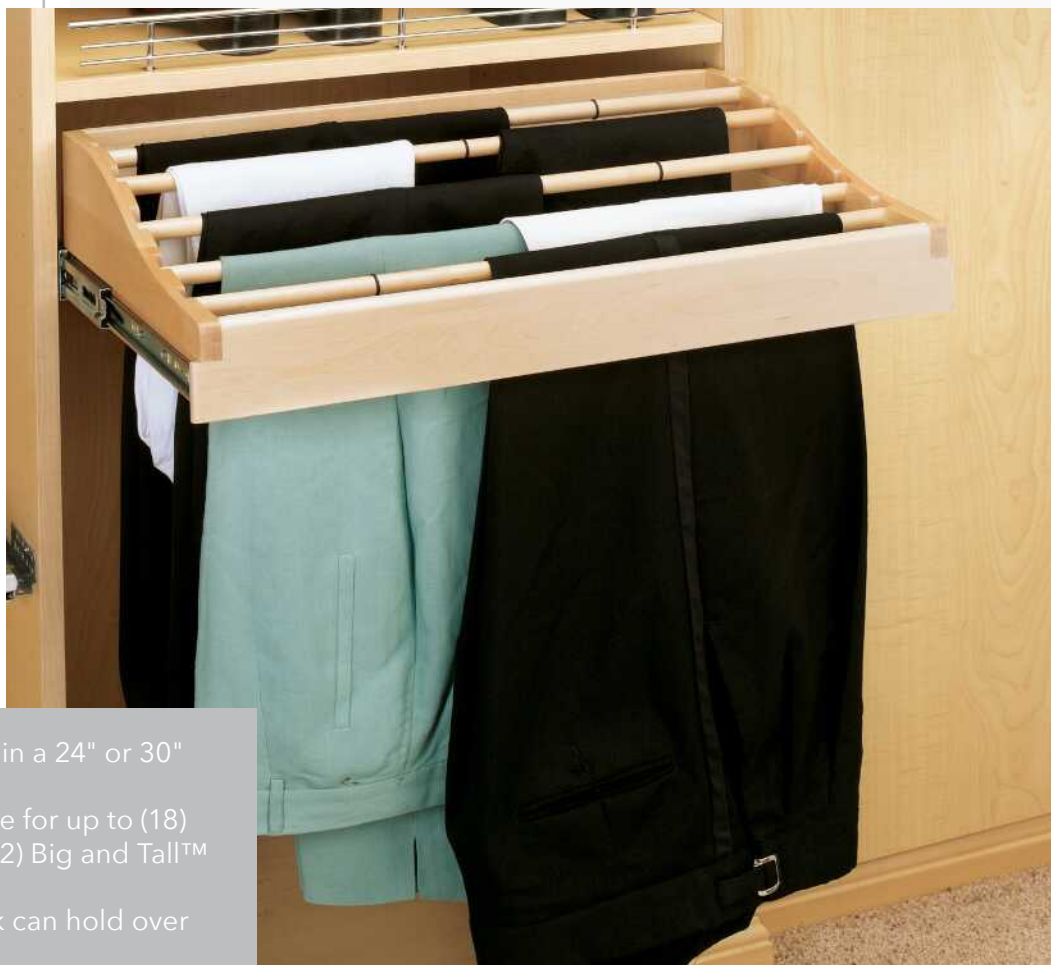
CVR-14-SN
14" Satin Nickel

CVR-12-CR
12" Chrome

Note: 12" Rod pulls out 6-27/32"
14" Rod pulls out 8"

Designer Series Valet Rod

PRODUCT	DESCRIPTION	DIMS	FINISH	SLP
12" Designer Series Valet Rod				
CVR-12-CR	Designer Series Valet Rod	1-1/8" (29 mm) W x 11-13/16" (300 mm) - 18-21/32" (474 mm) D x 1" (25 mm) H	Chrome	\$29.15
CVR-12-SN	Designer Series Valet Rod	1-1/8" (29 mm) W x 11-13/16" (300 mm) - 18-21/32" (474 mm) D x 1" (25 mm) H	Satin Nickel	\$29.00
CVR-12-ORB	Designer Series Valet Rod	1-1/8" (29 mm) W x 11-13/16" (300 mm) - 18-21/32" (474 mm) D x 1" (25 mm) H	Oil-Rubbed Bronze	\$29.00
14" Designer Series Valet Rod				
CVR-14-CR	Designer Series Valet Rod	1-1/8" (29 mm) W x 13-13/16" (351 mm) - 21-13/16" (554 mm) D x 1" (25 mm) H	Chrome	\$29.45
CVR-14-SN	Designer Series Valet Rod	1-1/8" (29 mm) W x 13-13/16" (351 mm) - 21-13/16" (554 mm) D x 1" (25 mm) H	Satin Nickel	\$29.30
CVR-14-ORB	Designer Series Valet Rod	1-1/8" (29 mm) W x 13-13/16" (351 mm) - 21-13/16" (554 mm) D x 1" (25 mm) H	Oil-Rubbed Bronze	\$29.30



CWPR-2414-1

- CWPR comes in a 24" or 30" width
- Provides space for up to (18) standard or (12) Big and Tall™ pants
- CWTR tie rack can hold over (120) ties
- CWPTR features both a pant and tie rack that holds (12) pants and over (30) ties
- Full-extension, ball-bearing, 100 lb. rated slides
- Removable front for drawer head mounting
- Rubber O-Rings to prevent slipping
- Removable pant rods for ease of use
- Made from solid natural maple
- Rev-A-Shelf exclusive design
- TSCA Title VI compliant



CWPTR-3014-1
30" Pant & Tie Rack (12 pants, 30+ ties)



Removable front for drawer head mounting



Dowels can easily be removed



Heavy Duty, full-extension, ball-bearing slides



CWTR-2414-1
24" Tie Rack (120+ ties)



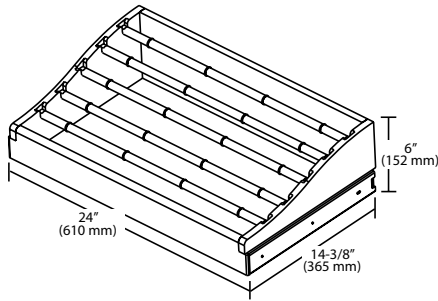
CWPR-2414-1
24" Pant Rack (12 pants)



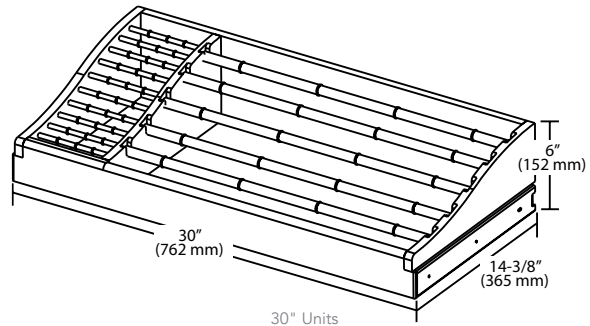
CWPTR-3014-1
30" Pant & Tie Rack (12 pants, 30+ ties)



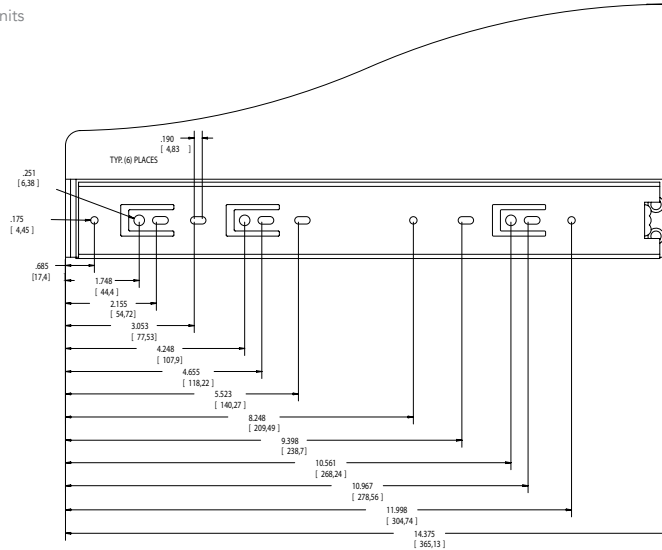
CWPR-3014-1
30" Pant Rack
(18 standard or 12 Big & Tall™ pants)



24" Units



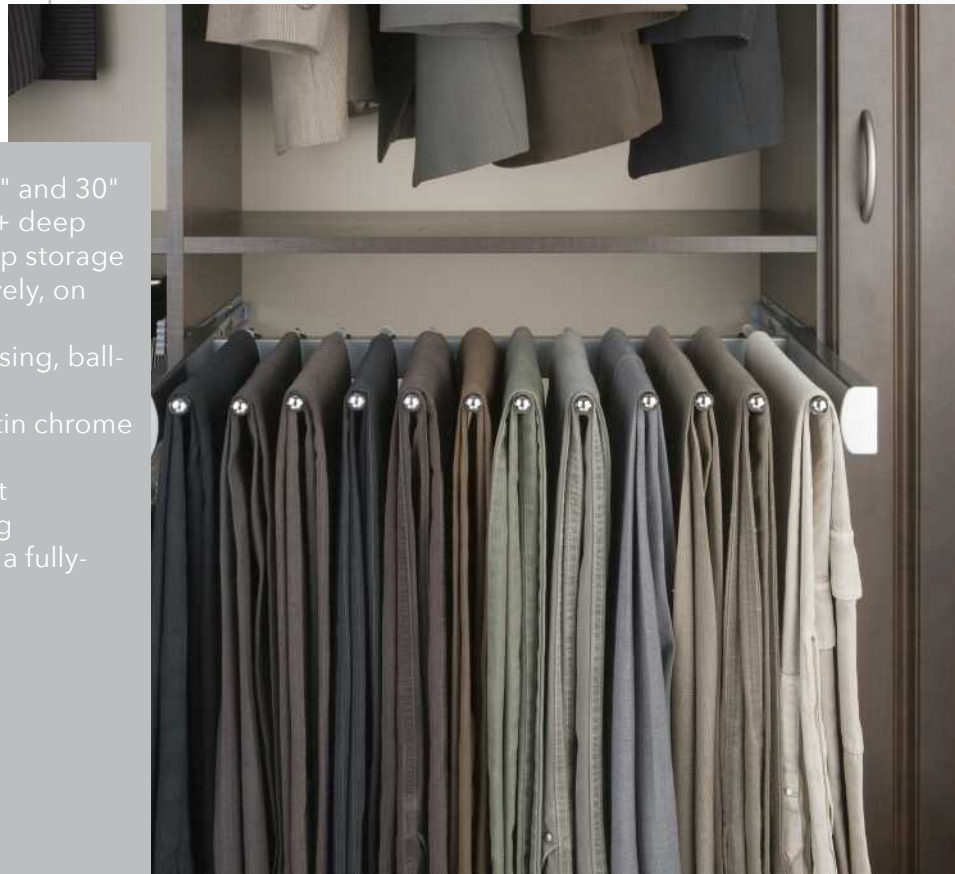
30" Units



Wood Pants and Tie Rack Pullouts

PRODUCT	DESCRIPTION	DIMS	FINISH	SLP
CWTR-2414-1	24" Tie Rack	24" (610 mm) W x 14-3/8" (365 mm) D x 6" (152 mm) H	Wood	\$186.20
CWPR-2414-1	24" Pant Rack	24" (610 mm) W x 14-3/8" (365 mm) D x 6" (152 mm) H	Wood	\$155.60
CWPR-3014-1	30" Pant Rack	30" (760 mm) W x 14-3/8" (365 mm) D x 6" (152 mm) H	Wood	\$171.55
CWPTR-3014-1	30" Pant and Tie Rack	30" (760 mm) W x 14-3/8" (365 mm) D x 6" (152 mm) H	Wood	\$182.55

- (3) Models to fit 18", 24" and 30" section widths, all 14" + deep
- (8), (12) and (15) non-slip storage hanger arms, respectively, on each rack
- Full-extension, soft-closing, ball-bearing steel slides
- Available in bronze, satin chrome or satin nickel
- Steel construction, cast aluminum slide housing
- Installs with (4) screws, a fully-assembled unit



PSCSL-2414SC-SC-1



Soft-Close Pant Rack Pullout

PRODUCT	DESCRIPTION	DIMS	FINISH	SLP
PSCSL-1814SC-BZ-1	18" W Pant Rack Pullout	18" (457 mm) W x 14" (357 mm) D x 2-1/2" (64 mm) H	Bronze	\$214.00
PSCSL-2414SC-BZ-1	24" W Pant Rack Pullout	24" (610 mm) W x 14" (357 mm) D x 2-1/2" (64 mm) H	Bronze	\$247.50
PSCSL-3014SC-BZ-1	30" W Pant Rack Pullout	30" (762 mm) W x 14" (357 mm) D x 2-1/2" (64 mm) H	Bronze	\$287.25
PSCSL-1814SC-SC-1	18" W Pant Rack Pullout	18" (457 mm) W x 14" (357 mm) D x 2-1/2" (64 mm) H	Satin Chrome	\$191.85
PSCSL-2414SC-SC-1	24" W Pant Rack Pullout	24" (610 mm) W x 14" (357 mm) D x 2-1/2" (64 mm) H	Satin Chrome	\$214.15
PSCSL-3014SC-SC-1	30" W Pant Rack Pullout	30" (762 mm) W x 14" (357 mm) D x 2-1/2" (64 mm) H	Satin Chrome	\$245.50
PSCSL-1814SC-SN-1	18" W Pant Rack Pullout	18" (457 mm) W x 14" (357 mm) D x 2-1/2" (64 mm) H	Satin Nickel	\$214.00
PSCSL-2414SC-SN-1	24" W Pant Rack Pullout	24" (610 mm) W x 14" (357 mm) D x 2-1/2" (64 mm) H	Satin Nickel	\$247.50
PSCSL-3014SC-SN-1	30" W Pant Rack Pullout	30" (762 mm) W x 14" (357 mm) D x 2-1/2" (64 mm) H	Satin Nickel	\$287.25



- Heavy gauge chrome frame
- Distinctive moveable fingers for easy access
- (9), (13) or (16) chrome rods
- Full-extension, 100 lb. rated, ball-bearing slides

PSC-1814CR



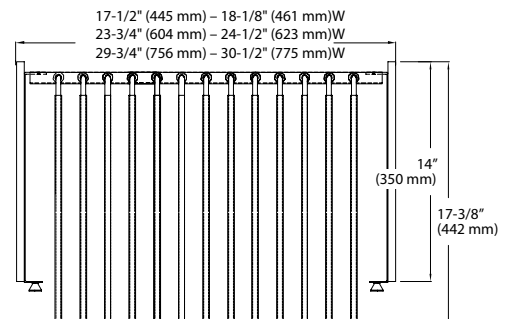
Non-slip Covering



PSC-1814CR
9-Capacity



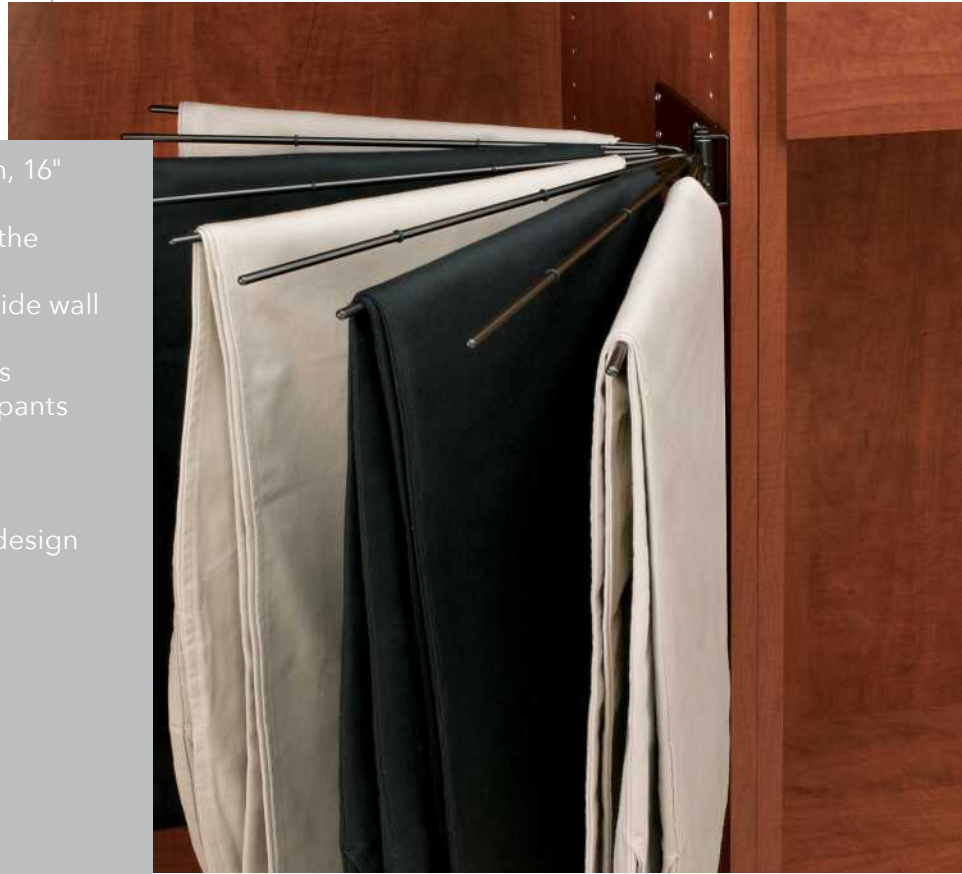
PSC-2414CR
13-Capacity



Wire Pants Rack Pullouts

PRODUCT	DESCRIPTION	DIMS	FINISH	SLP
PSC-1814CR	Pants Rack-9 capacity	17-1/2" (445 mm) - 18-1/8" (461 mm) W x 14" (356 mm) D x 3" (76 mm) H	Chrome	\$133.55
PSC-2414CR	Pants Rack-13 capacity	23-3/4" (604 mm) - 24-1/2" (623 mm) W x 14" (356 mm) D x 3" (76 mm) H	Chrome	\$149.35
PSC-3014CR	Pants Rack-16 capacity	29-3/4" (756 mm) - 30-1/2" (775 mm) W x 14" (356 mm) D x 3" (76 mm) H	Chrome	\$167.75

- Designed for 18" width, 16" depth opening
- Simple installation via the system holes
- Universal left or right side wall mounting
- Stores (9) pairs of pants
- Rubber O-Rings keep pants from slipping
- Polished ends prevent snagging
- Rev-A-Shelf exclusive design



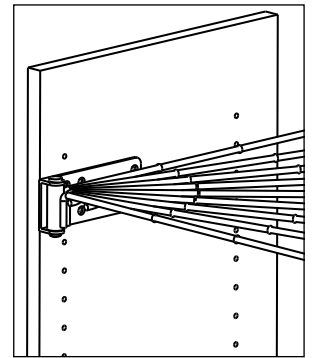
CPRF-16ORB-52



CPRF-16CR-52
Chrome



CPRF-16SN-52
Satin Nickel



Wire Fan Pants Rack w/ Universal Mounting

PRODUCT	DESCRIPTION	DIMS	FINISH	SLP
CPRF-16CR-52	Wire Fan Pants Rack	16-1/8" (410 mm) W x 16-1/8" (410 mm) D x 2-9/16" (65 mm) H	Chrome	\$38.15
CPRF-16SN-52	Wire Fan Pants Rack	16-1/8" (410 mm) W x 16-1/8" (410 mm) D x 2-9/16" (65 mm) H	Satin Nickel	\$37.55
CPRF-16ORB-52	Wire Fan Pants Rack	16-1/8" (410 mm) W x 16-1/8" (410 mm) D x 2-9/16" (65 mm) H	Oil-Rubbed Bronze	\$37.40

Shoe Rail

CSRSL Series



- Available lengths: 18", 24", 30", 36" x 2"H
- Configured for shelf slide application
- Available in bronze, chrome, satin chrome or satin nickel
- Installs easily in 32 mm applications

CSRSL-24BZ-10



Bronze



Chrome



Satin Nickel



Satin Chrome

SIDELINES[®]
REV-A-SHELF

(10) Shoe Rails

PRODUCT	DESCRIPTION	DIMS	FINISH	SLP (10)
CSRSL-18CR-10	18" Shoe Rail	17" (432 mm) W x 15/32" (12 mm) D x 2" (51 mm) H	Chrome	\$10.60 ea.
CSRSL-24CR-10	24" Shoe Rail	23" (584 mm) W x 15/32" (12 mm) D x 2" (51 mm) H	Chrome	\$13.20 ea.
CSRSL-30CR-10	30" Shoe Rail	29" (737 mm) W x 15/32" (12 mm) D x 2" (51 mm) H	Chrome	\$15.25 ea.
CSRSL-36CR-10	36" Shoe Rail	35" (889 mm) W x 15/32" (12 mm) D x 2" (51 mm) H	Chrome	\$18.70 ea.
CSRSL-18BZ-10	18" Shoe Rail	17" (432 mm) W x 15/32" (12 mm) D x 2" (51 mm) H	Bronze	\$13.05 ea.
CSRSL-24BZ-10	24" Shoe Rail	23" (229 mm) W x 15/32" (12 mm) D x 2" (51 mm) H	Bronze	\$16.25 ea.
CSRSL-30BZ-10	30" Shoe Rail	29" (737 mm) W x 15/32" (12 mm) D x 2" (51 mm) H	Bronze	\$19.70 ea.
CSRSL-36BZ-10	36" Shoe Rail	35" (889 mm) W x 15/32" (12 mm) D x 2" (51 mm) H	Bronze	\$23.60 ea.
CSRSL-18SC-10	18" Shoe Rail	17" (432 mm) W x 15/32" (12 mm) D x 2" (51 mm) H	Satin Chrome	\$13.05 ea.
CSRSL-24SC-10	24" Shoe Rail	23" (584 mm) W x 15/32" (12 mm) D x 2" (51 mm) H	Satin Chrome	\$16.25 ea.
CSRSL-30SC-10	30" Shoe Rail	29" (737 mm) W x 15/32" (12 mm) D x 2" (51 mm) H	Satin Chrome	\$19.70 ea.
CSRSL-36SC-10	36" Shoe Rail	35" (889 mm) W x 15/32" (12 mm) D x 2" (51 mm) H	Satin Chrome	\$24.80 ea.
CSRSL-18SN-10	18" Shoe Rail	17" (432 mm) W x 15/32" (12 mm) D x 2" (51 mm) H	Satin Nickel	\$13.05 ea.
CSRSL-24SN-10	24" Shoe Rail	23" (584 mm) W x 15/32" (12 mm) D x 2" (51 mm) H	Satin Nickel	\$16.25 ea.
CSRSL-30SN-10	30" Shoe Rail	29" (737 mm) W x 15/32" (12 mm) D x 2" (51 mm) H	Satin Nickel	\$19.70 ea.
CSRSL-36SN-10	36" Shoe Rail	35" (889 mm) W x 15/32" (12 mm) D x 2" (51 mm) H	Satin Nickel	\$23.80 ea.

- Available lengths: 17", 23", 29" and 35" x 2-1/4" height
- Installs easily in 32 mm applications
- Heavy gauge wire



NOTE: Designed to fit 5 mm mounting holes on 32 mm spacing

CSR-23CR-10



Chrome (CR)



Satin Nickel (SN)



Oil-Rubbed Bronze (ORB)

(10) Wire Shoe Rails

PRODUCT	DESCRIPTION	DIMS	FINISH	SLP
CSR-17CR-10	17" Wire Shoe Rail	17" (432 mm) L x 15/32" (12 mm) D x 2-1/4" (57 mm) H	Chrome	\$7.95 ea.
CSR-23CR-10	23" Wire Shoe Rail	23" (584 mm) L x 15/32" (12 mm) D x 2-1/4" (57 mm) H	Chrome	\$8.85 ea.
CSR-29CR-10	29" Wire Shoe Rail	29" (737 mm) L x 15/32" (12 mm) D x 2-1/4" (57 mm) H	Chrome	\$10.15 ea.
CSR-35CR-10	35" Wire Shoe Rail	35" (889 mm) L x 15/32" (12 mm) D x 2-1/4" (57 mm) H	Chrome	\$11.15 ea.
CSR-17SN-10	17" Wire Shoe Rail	17" (432 mm) L x 15/32" (12 mm) D x 2-1/4" (57 mm) H	Satin Nickel	\$7.10 ea.
CSR-23SN-10	23" Wire Shoe Rail	23" (584 mm) L x 15/32" (12 mm) D x 2-1/4" (57 mm) H	Satin Nickel	\$8.85 ea.
CSR-29SN-10	29" Wire Shoe Rail	29" (737 mm) L x 15/32" (12 mm) D x 2-1/4" (57 mm) H	Satin Nickel	\$10.00 ea.
CSR-35SN-10	35" Wire Shoe Rail	35" (889 mm) L x 15/32" (12 mm) D x 2-1/4" (57 mm) H	Satin Nickel	\$11.45 ea.
CSR-17ORB-10	17" Wire Shoe Rail	17" (432 mm) L x 15/32" (12 mm) D x 2-1/4" (57 mm) H	Oil-Rubbed Bronze	\$7.10 ea.
CSR-23ORB-10	23" Wire Shoe Rail	23" (584 mm) L x 15/32" (12 mm) D x 2-1/4" (57 mm) H	Oil-Rubbed Bronze	\$8.85 ea.
CSR-29ORB-10	29" Wire Shoe Rail	29" (737 mm) L x 15/32" (12 mm) D x 2-1/4" (57 mm) H	Oil-Rubbed Bronze	\$10.15 ea.
CSR-35ORB-10	35" Wire Shoe Rail	35" (889 mm) L x 15/32" (12 mm) D x 2-1/4" (57 mm) H	Oil-Rubbed Bronze	\$14.05 ea.

Acrylic Shelf Dividers



CSPD Series

- Available in (2) sizes
- Mounts utilizing 32 mm system holes
- Clips are inserted into notches cut into the acrylic to hold dividers secure
- Rev-A-Shelf® exclusive design



Clips are inserted into notches cut into the acrylic to hold dividers secure.



Acrylic Dividers can be used in many different ways.

(10) Acrylic Dividers w/ (40) Clips

PRODUCT	DESCRIPTION	DIMS	FINISH	SLP
CSPD-6	6" Clear Shoe/Purse Organizer	13-1/2" (342 mm) D x 6-9/16" (167 mm) H x 1/4" (6.4 mm) Thick	Acrylic	\$21.30 ea.
CSPD-14	14" Clear Shoe/Purse Organizer	13-1/2" (342 mm) D x 14-1/8" (359 mm) H x 1/4" (6.4 mm) Thick	Acrylic	\$37.85 ea.

Under Sink Waste Containers



8-010314-15

8-010 Series

- Designed for 33" and 36" sink base cabinets or 24" single door sink base cabinets
- Single black polymer container with built-in handle, 14 or 15 L
- Stainless steel or white lacquer finish
- Lid rises as container pivots out
- Mounts to cabinet door, floor and side walls

Under Sink Waste Container Pivot Outs

PRODUCT	DESCRIPTION	DIMS	MCO	CAB	FINISH	SLP
8-010212-14	Single 14 L	11" (279 mm) W x 10-1/2" (267 mm) D x 17-1/8" (435 mm) H	13-3/4" (350 mm)	SB33	White Lacquered	\$101.05
8-010412-15	Single 15 L	11-3/4" (299 mm) W x 11" (279 mm) D x 17" (432 mm) H	14-3/4" (375 mm) - FF 14-3/4" (375 mm) - FL	SB36	White Lacquered	\$111.65
8-010314-15	Single 15 L	11-3/4" (299 mm) W x 11" (279 mm) D x 17" (432 mm) H	14-3/4" (375 mm) - FF 14-3/4" (375 mm) - FL	SB36	Stainless Steel	\$139.50



- (2) Design configurations
 - Premier
 - 3-Way foldable
- Premier mirror is available in (2) heights, 24" and 48"
- 3-Way foldable mirror has (3) panels that open up to 26" W and is 48" H
- Pulls out smoothly and swivels 90°
- Allow 5.75" for swiveling clearance
- Soft-close retracting mechanism, requires only a gentle push
- Fits any partition at least 14" deep and 8" wide
- Can be installed behind cabinet doors
- Universal, non-handed

CMTWSL-1448-SM-1



For video visit:
rev-a-shelf.com/videos

SIDELINES
REV-A-SHELF





Slim design - Fits in 8" opening



CMTWSL-1448-SM-1
48" Three-Way Closet Mirror
(Silver mist finish shown)



CMSL-1448-BZ-1
48" Closet Mirror
(Bronze finish shown)



CMSL-1424-SM-1
24" Closet Mirror
(Silver mist finish shown)



Swivels 90°

Soft-Close Closet Mirrors w/ Over-travel

PRODUCT	DESCRIPTION	DIMS	FINISH	SLP
CMSL-1448-SM-1	48" Closet Mirror	2" (51 mm) W x 13-3/4" (349 mm) D x 47-1/4" (1200 mm) H	Silver Mist	\$384.10
CMSL-1424-SM-1	24" Closet Mirror	2" (51 mm) W x 13-3/4" (349 mm) D x 23-5/8" (600 mm) H	Silver Mist	\$317.25
CMSL-1448-BZ-1	48" Closet Mirror	2" (51 mm) W x 13-3/4" (349 mm) D x 47-1/4" (1200 mm) H	Bronze	\$406.30

3-Way Soft-Close Closet Mirror w/ Over Travel

CMTWSL-1448-SM-1	48" 3-Way Closet Mirror	3-3/16" (81 mm) W x 13-7/8" (352 mm) D x 47-1/4" (1200 mm) H	Silver Mist	\$762.55
------------------	-------------------------	--	-------------	----------



CPUIBSL-14-SM-1

- Fits any partition at least 14" deep and 8" wide
- 6" wide when stored, including hardware
- Reversible mounting
- Over-travel Slides
- Soft-Open Assist
- Metal Legs lock for stability
- Adjustable feet
- Board 43" long, 13" wide
- US Patent No. 7,310,889 B1
- Replacement cover (sold separately)





Pullout



Swivel

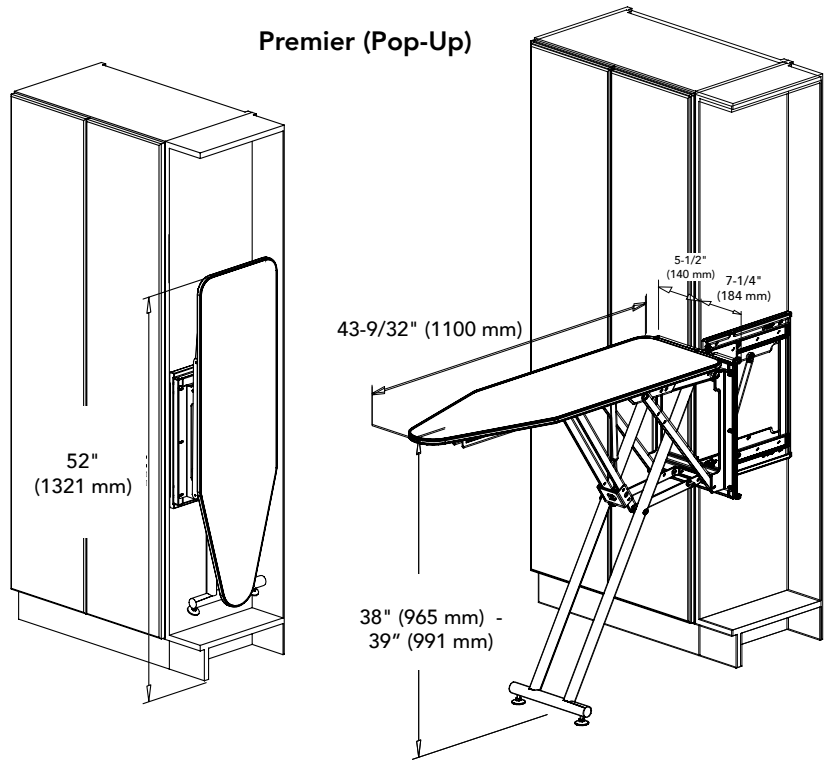


Pull-Up



CPUIBSL-14-SM-1
Premier Pop-Up Ironing Board

Premier (Pop-Up)



Soft-Close Premier Pop-Up Ironing Board w/ Over-Travel

PRODUCT	DESCRIPTION	DIMS	FINISH	SLP
CPUIBSL-14-SM-1	Premier Pop-Up Ironing Board	6-5/16" (160 mm) W x 13-15/32" (342 mm) D x 43-5/16" (1100 mm) H	Silver Mist	\$648.00

Canvas Ironing Board Covers

CPUIBSL-COVER-52	Cover for Premier Pop-Up Ironing Board	13-13/32" (340 mm) W x 43-11/16" (1110 mm) D x 7/8" (22 mm) H	Tan	\$54.95
------------------	--	---	-----	---------



CROIBSL-14-SM-1

- Board 38" long, 13" wide
- Mounts on shelf
- Rotates 360 degrees when out of cabinet
- Locks into place
- Soft-Close Over-Travel
- 18-1/2" wide when stored
- Fits any partition at least 14" deep
- Spacer kit for drawer mounting included
- Replacement cover (sold separately)



Pullout



Swivel



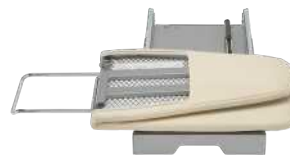
Open



Swivel 360°

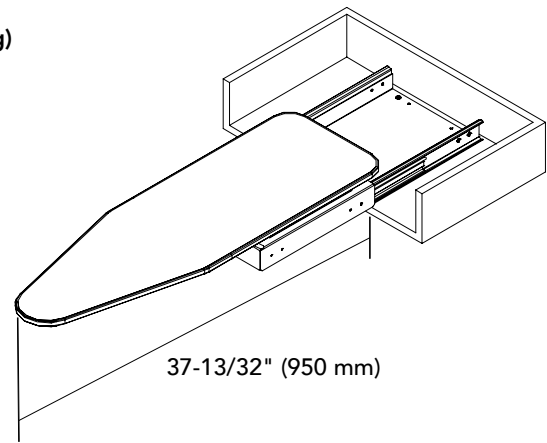
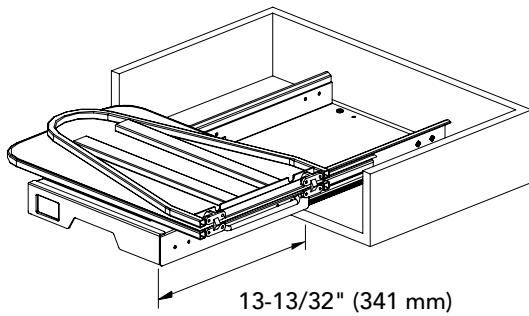


CROIBSL-14-SM-1
Elite Rotating Ironing Board



Elite rotating ironing board can rotate 360 degrees with built-in stops

Elite (Rotating)



Perfect for installation behind a drawer front with ETH and now Cup hinges using the included spacers

Soft-Close Elite Rotating Ironing Board w/ Over-Travel

PRODUCT	DESCRIPTION	DIMS	FINISH	SLP
CROIBSL-14-SM-1	Elite Rotating Ironing Board	18-11/16" (475 mm) W x 14" (356 mm) D x 4-17/32" (114 mm) H	Silver Mist	\$428.60

Canvas Ironing Board Covers

CROIBSL-COVER-52	Cover for Elite Rotating Ironing Board	12-3/16" (310 mm) W x 37-13/16" (960 mm) D x 7/8" (22 mm) H	Tan	\$49.30
------------------	--	---	-----	---------

Deluxe Rotating Ironing Board



CSWIBSL-14-SM-1

- Board: 38" long, 13" wide
- 5" wide when stored, including hardware
- Fits any partition at least 14" deep and 8" wide
- Overall height when stored: 72"
- Adjustable feet for stability
- Replacement cover (sold separately)



Pullout



Swivel

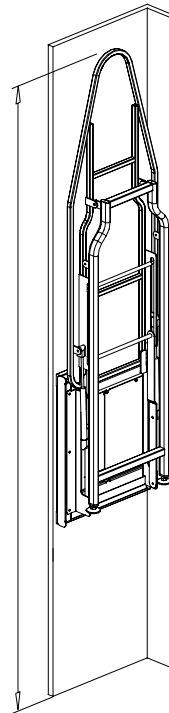


Pull-Down

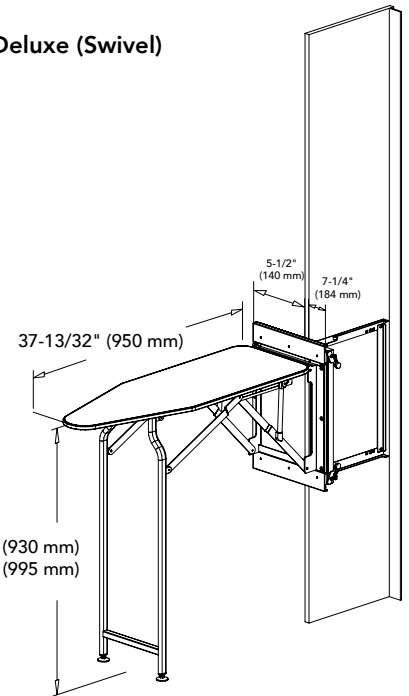


CSWIBSL-14-SM-1
Deluxe Swivel Ironing Board

74-1/4"
(1886 mm)



Deluxe (Swivel)



Soft-Close Deluxe Swivel Ironing Board w/ Over-Travel

PRODUCT	DESCRIPTION	DIMS	FINISH	SLP
CSWIBSL-14-SM-1	Deluxe Swivel Ironing Board	5-1/4" (133 mm) W x 13" (330 mm) D x 53-5/32" (1350 mm) H	Silver Mist	\$495.30

Canvas Ironing Board Covers

CSWIBSL-COVER-52	Cover for Deluxe Swivel Ironing Board	13-13/32" (340 mm) W x 37-13/32" (950 mm) D x 7/8" (22 mm) H	Tan	\$51.50
------------------	---------------------------------------	--	-----	---------



CIB-16CR

- Designed for 14-1/2" to 21" vanity cabinet drawer openings
- Complete drawer system, just add your drawer front
- Chrome-plated metal frame
- Over-extension, ball-bearing, 150 lb. rated slides
- Mounts to cabinet front, side and rear wall
- Built-in ironing board

SURFACE AREA

VIB-20CR (Vanity Cabinet)		CIB-16CR (Closet Model)	
WIDTH	LENGTH	WIDTH	LENGTH
11.8" 300 mm	37.7" 957 mm	11.8" 300 mm	29.2" 742 mm

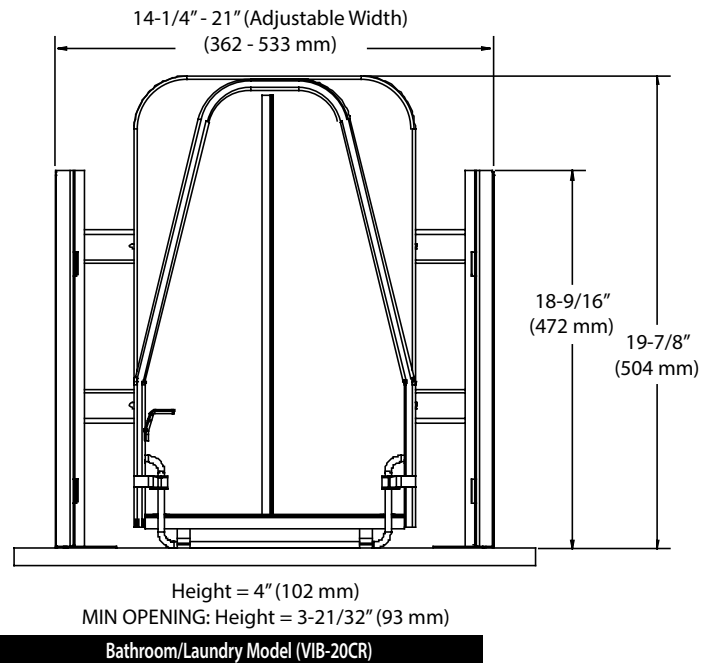
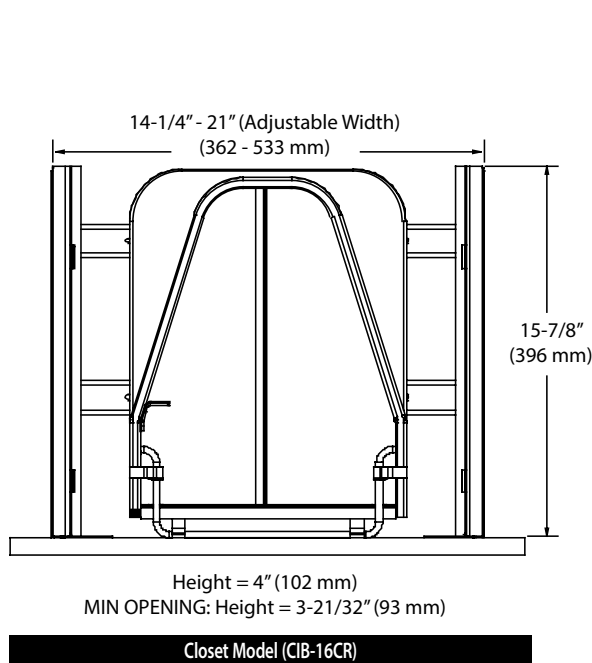
See page 257 for Vanity version



Perfect application to do quick touch-up ironing before work or a night on the town



Solid surface counter overlays CANNOT exceed 1-1/4"



CIB-16CR
Closet Pullout Ironing Board



RAS-CIB-COVER-R-52
Replacement Cover (Closet)



VIB-20CR
Vanity Pullout Ironing Board



RAS-VIB-COVER-52
Replacement Cover (Vanity)

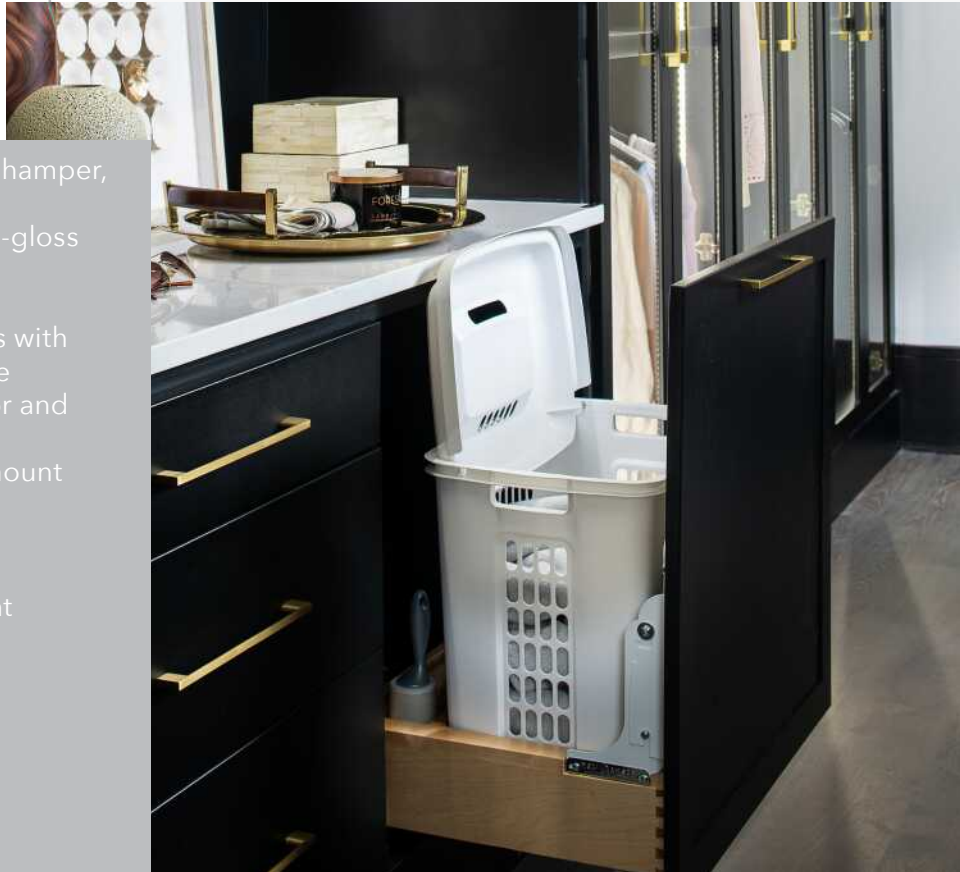
NOTE: Not compatible with inset cabinetry

Pullout Ironing Board

PRODUCT	DESCRIPTION	DIMS	FINISH	SLP
CIB-16CR	Closet Pullout Ironing Board	See drawings for detailed specifications.	Chrome	\$228.40
RAS-CIB-COVER-R-52	Replacement Cover (Closet)		Silver	\$21.60
VIB-20CR	Vanity Pullout Ironing Board	See drawings for detailed specifications.	Chrome	\$288.55
RAS-VIB-COVER-52	Replacement Cover (Vanity)		Silver	\$22.75



- Single 1.5 BU polymer hamper, white
- Maple frame with semi-gloss finish
- Full-extension, 110 lb. rated, concealed slides with BLUMOTION soft-close
- Mounts to cabinet door and floor
- Pre-assembled door mount brackets
- Rear storage
- (1) matching lid
- TSCA Title VI compliant



For video visit:
rev-a-shelf.com/videos

4WH-VCSC-21DM-1
 1.5 BU Hamper

*Replacement lid Part No: SP-HPB-LID

1.5 BU Bottom Mount Hamper Pullout w/ BLUMOTION Soft-Close

PRODUCT	DESCRIPTION	DIMS	MCO	CAB	FINISH	SLP
4WH-VCSC-21DM-1	Hamper Pullout	20-5/16" (515 mm) W x 18-11/16" (474 mm) D x 21-1/4" (539 mm) H	21" (533 mm)	VB24	Maple	\$385.55
Accessories						
HPB-03323-52	Replacement Hamper	14" (356 mm) W x 18-5/8" (473 mm) D x 18-1/4" (464 mm) H			Polymer	\$45.40

Wire Bottom Mount Polymer Hamper

HPRV Series



- Features a shallow 14" depth for closet applications
- Full-extension, ball-bearing slides
- 1.7 bushels capacity
- Installs with just (4) screws
- Includes removable lid
- Available with or without door mount bracket kit

HPRV-1925DM S



HPRV-1925 S
1.7 BU Hamper



HPRV-1925DM S
1.7 BU Hamper

*Replacement lid Part No: SP-HPB-LID

Wire Bottom Mount Polymer Hamper Pullout

PRODUCT	DESCRIPTION	DIMS	FINISH	SLP
HPRV-1925 S	1.7 BU Hamper	19-7/8" (505 mm) W x 14" (356 mm) D x 24" (610 mm) H	Polymer	\$188.80
HPRV-1925DM S	Door Mount 1.7 BU Hamper	19-7/8" (505 mm) W x 14" (356 mm) D x 24" (610 mm) H	Polymer	\$228.55



- Designed for 24" base height vanity cabinets
- Double 1.2 BU wire hampers, with (2) canvas liners, machine washable
- Anodized aluminum frame, metallic silver or white base
- Full-extension with 1-1/2" over-travel, ball-bearing, 150 lb. rated, concealed slides with Rev-A-Motion® soft-open/soft-close (US Patent No. 8,091,971)
- Mounts to cabinet door and floor
- Patented door mount brackets with 5" of adjustability (US Patent No. 8,939,526)
- US Patent No. 9,049,930



CH-241419-RM-217



Soft-Close Piston



CH-241419-RM-217
Double 1.2 BU Hampers w/ (2)
Liners and Silver Base



CH-241419-RM-211
Double 1.2 BU Hampers w/ (2)
Liners and White Base



For video visit:
rev-a-shelf.com/videos

Aluminum Bottom Mount Wire Hamper w/ Rev-A-Motion®

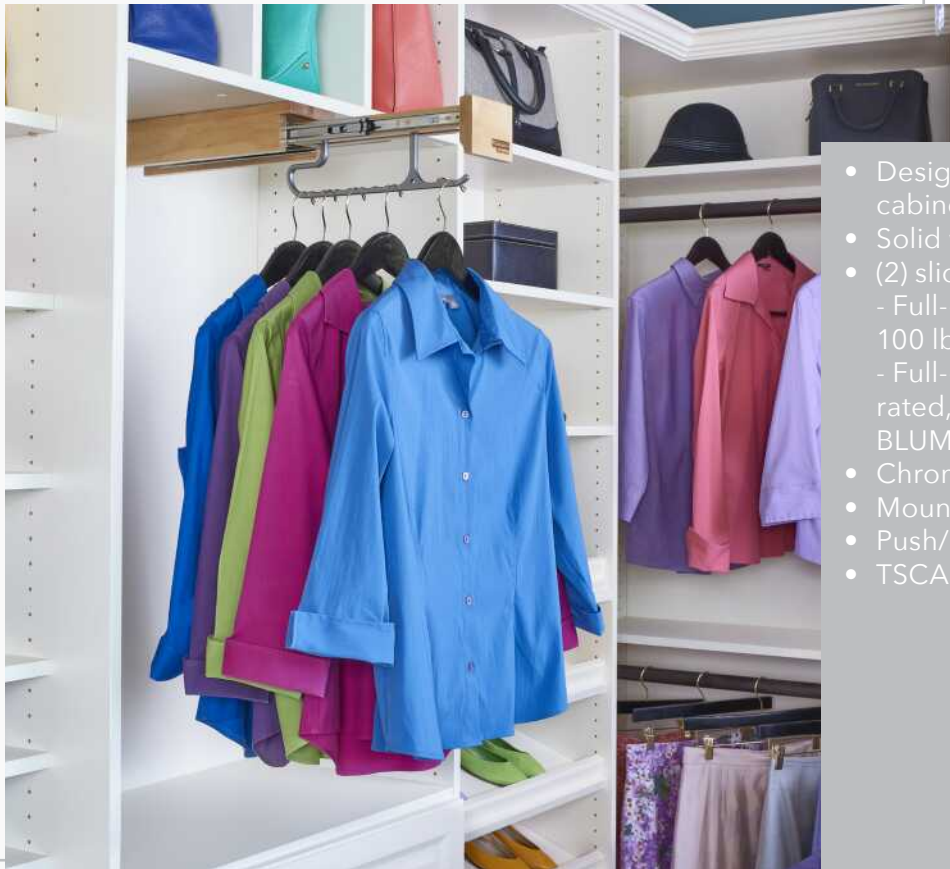
PRODUCT	DESCRIPTION	DIMS	MCO	CAB	FINISH	SLP
CH-241419-RM-217	Double 1.2 BU Hampers w/ Silver Base	24" (610 mm) W x 13-15/16" (353 mm) D x 18-7/8" (478 mm) H	24" (610 mm)	VB27	Silver/Tan	\$487.80
CH-241419-RM-211	Double 1.2 BU Hampers w/ White Base	24" (610 mm) W x 13-15/16" (353 mm) D x 18-7/8" (478 mm) H	24" (610 mm)	VB27	White/Tan	\$485.60

Accessories

5CHB-Liner	(1) Replacement Canvas Liner				Tan	\$18.70
------------	------------------------------	--	--	--	-----	---------

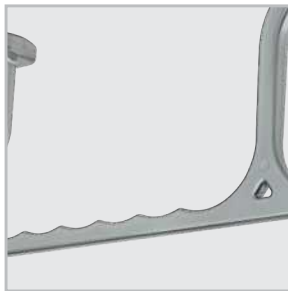
Glideware Valet Hanger Pullout

GLD-CV Series



FEATURING **blum**

- Designed for 14" depth closet cabinets
- Solid wood construction, maple
- (2) slide configurations available:
 - Full-extension, ball-bearing 100 lb. rated slides;
 - Full-extension, 110 lb. rated, concealed slides with BLUMOTION soft-close
- Chrome valet rail with scallops
- Mounts to ceiling and rear
- Push/pull bar included
- TSCA Title VI compliant



Chrome valet rail with scallops



GLD-CV14B-1
14" Maple Glideware w/ Valet Hanger w/ BLUMOTION Soft-Close

Glideware Valet Hanger Pullout

PRODUCT	DESCRIPTION	DIMS	FINISH	SLP
GLD-CV14-1	14" Maple Glideware w/ Valet Hanger	4" (102 mm) W x 14" (356 mm) D x 16-3/16" (411 mm) H	Maple	\$121.95
Glideware Valet Hanger Pullout w/ BLUMOTION Soft-Close				
GLD-CV14B-1	14" Maple Glideware w/ Valet Hanger	6" (153 mm) W x 14" (356 mm) D x 16-3/16" (411 mm) H	Maple	\$254.75

- Mounting screws included
- Available in our most popular finishes
- Hidden mounting hardware

Single Hook & 3-Way Hook

- Zinc die-cast construction
- Available in bronze, chrome, satin chrome or satin nickel
- Mounting hardware included
- Concealed mounting plate
- Coordinates with our other Sidelines By Rev-A-Shelf® accessories

Handles

- Steel construction
- Available in two designs, crescent or straight
- Available in two colors, bronze or satin nickel
- One-Inch (1") Installation screws (included)
(Measurements below are center to center -- c/c.)
- All pulls 30 mm tall from door or drawer face
- Handle pull diameter: 8 mm
- Small handle pulls: 96 mm long
- Large handle pulls: 128 mm long

Knobs

- Solid steel
- 31 mm
- Mounting screw included
- Available in bronze or satin nickel
- Coordinates with our other Sidelines accessories: Hooks, Cabinet Pulls, Deluxe Closet Rod and more



CTWSL-HK-SC-1

SIDELINES
REV-A-SHELF



CSSL-HK-CR-1
Single Hook
(Chrome finish)



CTWSL-HK-SC-1
3-Way Hook
(Satin Chrome finish)



CKBSL-BZ-1
Knob Pull
(Bronze finish)

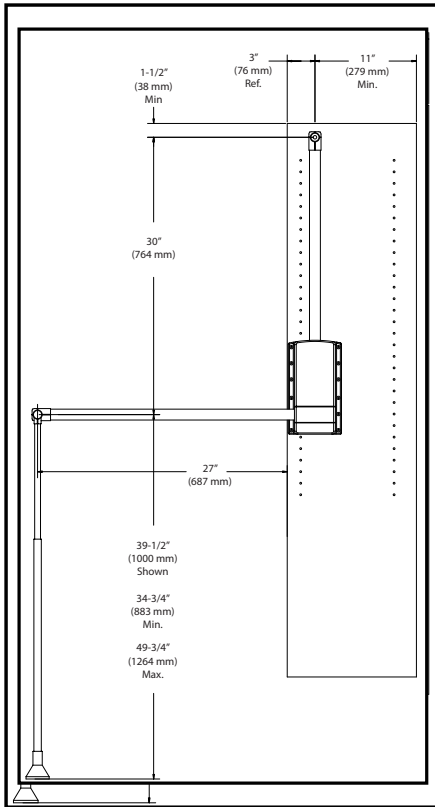


CHDSL-9128-SN-1
Straight Handle Pull
(Satin Nickel finish)



CHDSL-896-SN-1
Crescent Pull
(Satin Nickel finish)

PRODUCT	DESCRIPTION	DIMS	FINISH	SLP
Single Hook				
CSSL-HK-CR-1	Single Hook	27/32" (22 mm) W x 1-5/8" (41 mm) D x 2-13/32" (61 mm) H	Chrome	\$15.10
CSSL-HK-BZ-1	Single Hook	27/32" (22 mm) W x 1-5/8" (41 mm) D x 2-13/32" (61 mm) H	Bronze	\$15.10
CSSL-HK-SN-1	Single Hook	27/32" (22 mm) W x 1-5/8" (41 mm) D x 2-13/32" (61 mm) H	Satin Nickel	\$15.10
CSSL-HK-SC-1	Single Hook	27/32" (22 mm) W x 1-5/8" (41 mm) D x 2-13/32" (61 mm) H	Satin Chrome	\$15.10
(100) Single Hooks				
CSSL-HK-CR-100	Single Hook	27/32" (22 mm) W x 1-5/8" (41 mm) D x 2-13/32" (61 mm) H	Chrome	\$8.19 ea.
CSSL-HK-BZ-100	Single Hook	27/32" (22 mm) W x 1-5/8" (41 mm) D x 2-13/32" (61 mm) H	Bronze	\$8.10 ea.
CSSL-HK-SN-100	Single Hook	27/32" (22 mm) W x 1-5/8" (41 mm) D x 2-13/32" (61 mm) H	Satin Nickel	\$8.10 ea.
CSSL-HK-SC-100	Single Hook	27/32" (22 mm) W x 1-5/8" (41 mm) D x 2-13/32" (61 mm) H	Satin Chrome	\$8.10 ea.
3-Way Hook				
CTWSL-HK-CR-1	3-Way Hook	2-13/16" (71 mm) W x 2-13/32" (61 mm) D x 3-15/16" (100 mm) H	Chrome	\$13.90
CTWSL-HK-BZ-1	3-Way Hook	2-13/16" (71 mm) W x 2-13/32" (61 mm) D x 3-15/16" (100 mm) H	Bronze	\$13.90
CTWSL-HK-SN-1	3-Way Hook	2-13/16" (71 mm) W x 2-13/32" (61 mm) D x 3-15/16" (100 mm) H	Satin Nickel	\$13.90
CTWSL-HK-SC-1	3-Way Hook	2-13/16" (71 mm) W x 2-13/32" (61 mm) D x 3-15/16" (100 mm) H	Satin Chrome	\$13.90
(100) 3-Way Hooks				
CTWSL-HK-CR-100	3-Way Hook	2-13/16" (71 mm) W x 2-13/32" (61 mm) D x 3-15/16" (100 mm) H	Chrome	\$10.00 ea.
CTWSL-HK-BZ-100	3-Way Hook	2-13/16" (71 mm) W x 2-13/32" (61 mm) D x 3-15/16" (100 mm) H	Bronze	\$10.00 ea.
CTWSL-HK-SN-100	3-Way Hook	2-13/16" (71 mm) W x 2-13/32" (61 mm) D x 3-15/16" (100 mm) H	Satin Nickel	\$10.00 ea.
CTWSL-HK-SC-100	3-Way Hook	2-13/16" (71 mm) W x 2-13/32" (61 mm) D x 3-15/16" (100 mm) H	Satin Chrome	\$10.00 ea.
Knob				
CKBSL-31-BZ-1	Knob Pull	1-7/32" (31 mm) W x 1-5/32" (29 mm) D x 1-7/32" (31 mm) H	Bronze	\$18.55
CKBSL-31-SN-1	Knob Pull	1-7/32" (31 mm) W x 1-5/32" (29 mm) D x 1-7/32" (31 mm) H	Satin Nickel	\$18.55
(25) Knobs				
CKBSL-31-BZ-25	Knob Pull	1-7/32" (31 mm) W x 1-5/32" (29 mm) D x 1-7/32" (31 mm) H	Bronze	\$11.60 ea.
CKBSL-31-SN-25	Knob Pull	1-7/32" (31 mm) W x 1-5/32" (29 mm) D x 1-7/32" (31 mm) H	Satin Nickel	\$11.60 ea.
Pulls				
CHDSL-896-BZ-1	Straight Handle Pull	4-3/32" (105 mm) W x 1-1/4" (32 mm) D x 5/16" (8 mm) H	Bronze	\$11.15
CHDSL-896-SN-1	Straight Handle Pull	4-3/32" (105 mm) W x 1-1/4" (32 mm) D x 5/16" (8 mm) H	Satin Nickel	\$11.15
CHDSL-8128-BZ-1	Straight Handle Pull	5-11/32" (136 mm) W x 1-1/4" (32 mm) D x 5/16" (8 mm) H	Bronze	\$11.60
CHDSL-8128-SN-1	Straight Handle Pull	5-11/32" (136 mm) W x 1-1/4" (32 mm) D x 5/16" (8 mm) H	Satin Nickel	\$11.60
CHDSL-996-BZ-1	Crescent Pull	4-1/2" (114 mm) W x 1-3/16" (30 mm) D x 3/8" (10 mm) H	Bronze	\$12.20
CHDSL-996-SN-1	Crescent Pull	4-1/2" (114 mm) W x 1-3/16" (30 mm) D x 3/8" (10 mm) H	Satin Nickel	\$12.20
CHDSL-9128-BZ-1	Crescent Pull	5-7/8" (149 mm) W x 1-3/16" (30 mm) D x 3/8" (10 mm) H	Bronze	\$12.90
CHDSL-9128-SN-1	Crescent Pull	5-7/8" (149 mm) W x 1-3/16" (30 mm) D x 3/8" (10 mm) H	Satin Nickel	\$12.90
(25) Pulls				
CHDSL-896-BZ-25	Straight Handle Pull	4-3/32" (105 mm) W x 1-1/4" (32 mm) D x 5/16" (8 mm) H	Bronze	\$4.20 ea.
CHDSL-896-SN-25	Straight Handle Pull	4-3/32" (105 mm) W x 1-1/4" (32 mm) D x 5/16" (8 mm) H	Satin Nickel	\$4.50 ea.
CHDSL-8128-BZ-25	Straight Handle Pull	5-11/32" (136 mm) W x 1-1/4" (32 mm) D x 5/16" (8 mm) H	Bronze	\$4.65 ea.
CHDSL-8128-SN-25	Straight Handle Pull	5-11/32" (136 mm) W x 1-1/4" (32 mm) D x 5/16" (8 mm) H	Satin Nickel	\$4.65 ea.
CHDSL-996-BZ-25	Crescent Pull	4-1/2" (114 mm) W x 1-3/16" (30 mm) D x 3/8" (10 mm) H	Bronze	\$5.35 ea.
CHDSL-996-SN-25	Crescent Pull	4-1/2" (114 mm) W x 1-3/16" (30 mm) D x 3/8" (10 mm) H	Satin Nickel	\$5.50 ea.
CHDSL-9128-BZ-25	Crescent Pull	5-7/8" (149 mm) W x 1-3/16" (30 mm) D x 3/8" (10 mm) H	Bronze	\$6.10 ea.
CHDSL-9128-SN-25	Crescent Pull	5-7/8" (149 mm) W x 1-3/16" (30 mm) D x 3/8" (10 mm) H	Satin Nickel	\$6.10 ea.



- Available in (3) sizes
- Telescoping pull-rod, adjustable from 34" (864 mm) to 50" (1270 mm)
- Mounts to cabinet side
- Rev-A-Shelf® exclusive design

CPDR-2635ORB



Reinforce your CPDR with our included heavy duty bumper



REV-A-SHELF EXCLUSIVE! Push button mechanism for adjusting handle length



CPDR-1826
21-1/2" - 26" Closet Rod



CPDR-3548
35" - 48" Closet Rod

Pulldown Closet Rod

PRODUCT	DESCRIPTION	DIMS	FINISH	SLP
CPDR-1826	Closet Rod	21-1/2" - 26" (547 - 661 mm) W x 4" (102 mm) D x 34-3/4 - 49-3/4" (883 mm - 1264 mm) H	Chrome/ Black	\$164.55
CPDR-2635	Closet Rod	26" - 35" (661 - 889 mm) W x 4" (102 mm) D x 34-3/4 - 49-3/4" (883 mm - 1264 mm) H	Chrome/ Black	\$171.80
CPDR-3548	Closet Rod	35" - 48" (889 - 1220 mm) W x 4" (102 mm) D x 34-3/4 - 49-3/4" (883 mm - 1264 mm) H	Chrome/ Black	\$179.95
CPDR-2635ORB	Closet Rod	26" - 35" (661 - 889 mm) W x 4" (102 mm) D x 34-3/4 - 49-3/4" (883 mm - 1264 mm) H	Oil-Rubbed Bronze/ Black	\$178.50

Premier Satin Chrome Pulldown Closet Rod



- Cut-to-size fits cabinet openings from 18" (457 mm) to 48" (1219 mm)
- Hanging area of 16.9" (429 mm) to 46.9" (1192 mm)
- Satin chrome
- Swivel handle
- Soft-open/soft-close assist
- 33 lb. capacity
- Mounts to cabinet sides
- Sidelines by Rev-A-Shelf® exclusive design

CPDRSL-48SC



Can be cut-to-size to fit various cabinet openings



Durable mechanism housing constructed of steel

SIDELINES[®]
REV-A-SHELF

	CLOSET ROD CUT LENGTH
LB-18	16-29/32" (429 mm)
LB-24	22-29/32" (582 mm)
LB-30	28-29/32" (735 mm)
LB-36	34- 29/32" (888 mm)
LB-42	40-29/32" (1040 mm)
LB-48	46-29/32" (1192 mm)

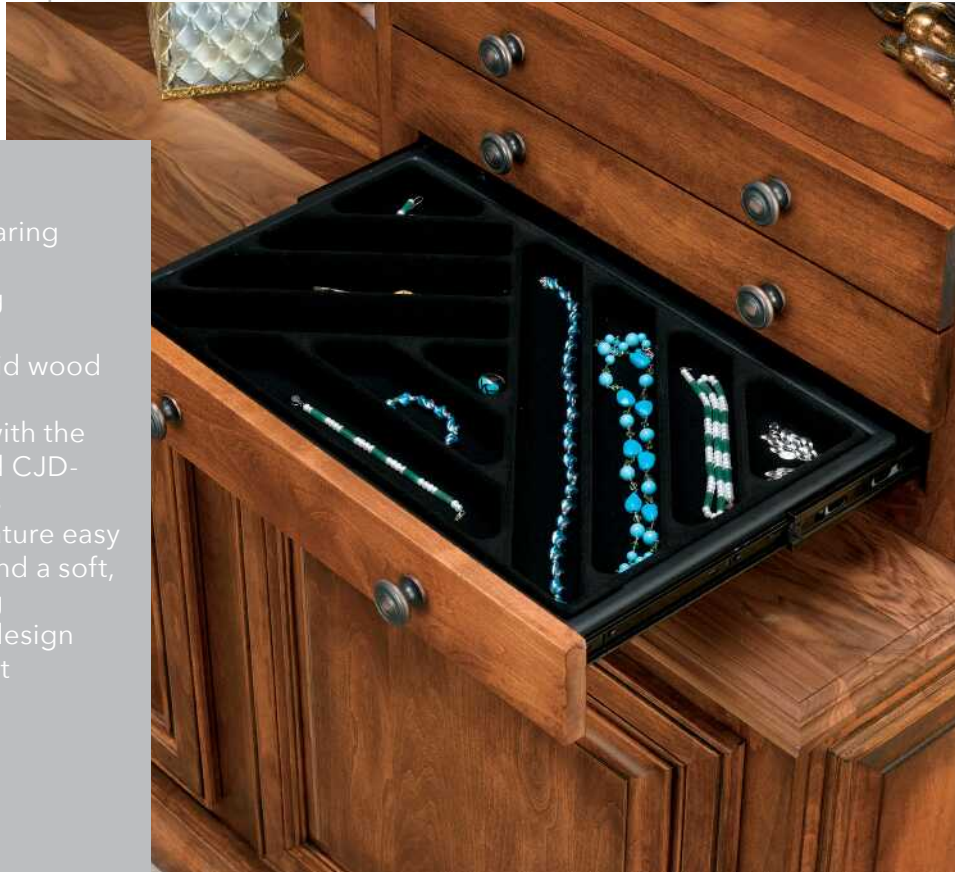
Premier Satin Chrome Pulldown Closet Rod

PRODUCT	DESCRIPTION	DIMS	FINISH	SLP
CPDRSL-48SC	Premier Closet Pulldown	18" (457 mm) - 48" (1219 mm) W x 12-13/32" (315 mm) D x 35-7/16" (900 mm) H	Satin Chrome	\$435.60

CJD-2414 Jewelry Drawer dimensions.

Inside Height = 1-13/32" (36 mm)
Overall Height = 1-13/16" (46 mm)

- Installs easily in 32 mm applications
- Full-extension, ball-bearing slides
- Drawer head mounting capability
- Constructed with a solid wood box
- Used in coordination with the CJD-24IS (Jewelry) and CJD-24IN (Necklace) inserts
- CJD-IS and CJD-IN feature easy "drop-in" installation and a soft, velvet flocked covering
- Rev-A-Shelf exclusive design
- TSCA Title VI compliant



Shown drawer front mounted with a single drawer and necklace insert

CJD-2414



CJD-24IN
Necklace Insert



CJD-24IS
Jewelry Insert



CJD-2414
Jewelry Drawer w/ Slides

Jewelry Pullout Drawer

PRODUCT	DESCRIPTION	DIMS	FINISH	SLP
Pullout Jewelry Drawer w/Inserts (Individual Pack)				
CJD-2414	Jewelry Drawer w/Slides	24" (610 mm) W x 14" (356 mm) D x 1-7/8" (47 mm) H	Black	\$89.05
(2) Jewelry Drawer Inserts (NOTE: will not fit in CVJD Series Jewelry Drawer) (Bulk Pack)				
CJD-24IS	Jewelry Insert	22" (559 mm) W x 13" (330 mm) D x 1-1/2" (38 mm) H	Velvet	\$73.95 ea.
CJD-24IN	Necklace Insert	22" (559 mm) W x 13" (330 mm) D x 1-1/2" (38 mm) H	Velvet	\$75.10 ea.
(5) Drawer Front Mounting Bracket Pairs (Bulk Pack)				
CJD-DMB-KIT	Drawer Front Mount Bracket		Black	\$5.35 ea.

NOTE: The CJD Jewelry Drawer utilizes 14" black ball-bearing slides

Under Mount Jewelry Drawer

CVJD Series



- Installs easily in 32 mm applications
- Soft-close, under mount slides
- Drawer head mounting capability
- Soft velvet covering and sturdy wood construction
- Door mount brackets (sold separately)
- Jewelry inserts (sold separately)
- TSCA Title VI compliant

CVJD-3014UM-1



Jewelry inserts for rings, bracelets and necklaces (Sold Separately)

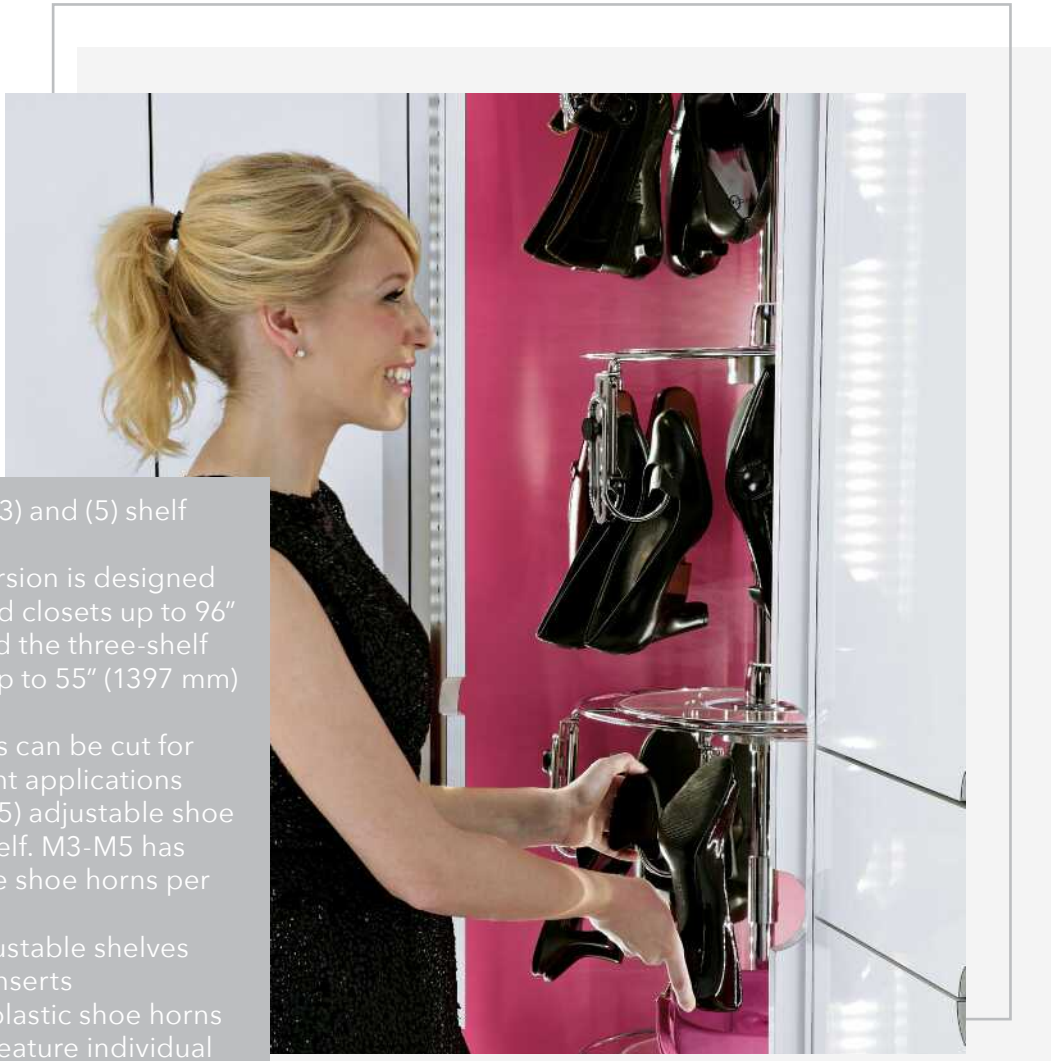


CVJD-3014UM-1
30" Under Mount Jewelry Drawer

Under Mount Jewelry Drawer

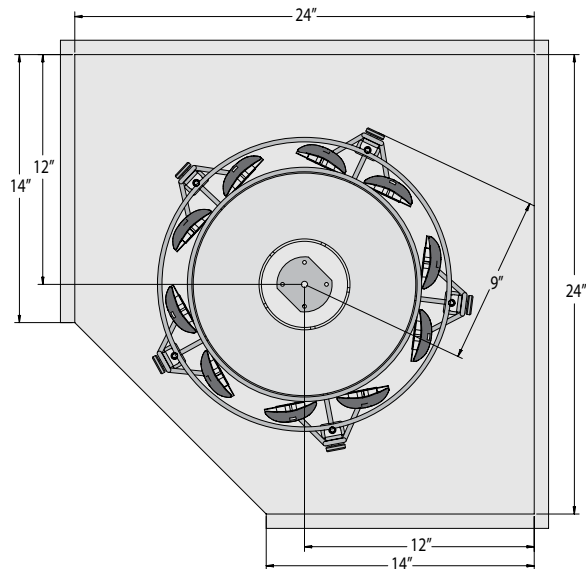
PRODUCT	DESCRIPTION	DIMS	FINISH	SLP
Under Mount Jewelry Drawer (Individual Pack)				
CVJD-1814UM-1	Under mount Jewelry Drawer	18" (458 mm) W x 14" (356 mm) D x 3-1/8" (80 mm) H	Black	\$155.90
CVJD-2414UM-1	Under mount Jewelry Drawer	24" (610 mm) W x 14" (356 mm) D x 3-1/8" (80 mm) H	Black	\$170.65
CVJD-3014UM-1	Under mount Jewelry Drawer	30" (762 mm) W x 14" (356 mm) D x 3-1/8" (80 mm) H	Black	\$176.15
Jewelry Drawer Inserts (Individual Pack)				
CV-RING-1	Velvet Ring Organizer	11-5/8" (296 mm) W x 4-1/4" (108 mm) D x 1-1/4" (32 mm) H	Black	\$34.50
CA-SMORG-1	Watch/Bracelet Organizer	11-5/8" (296 mm) W x 4-1/4" (108 mm) D x 1-1/4" (32 mm) H	Clear	\$58.60
CA-LGORG-1	Earring Organizer	11-5/8" (296 mm) W x 6" (153 mm) D x 1-1/4" (32 mm) H	Clear	\$68.30
CA-NECKLACE-1	Necklace Organizer	11-5/8" (296 mm) W x 6" (153 mm) D x 1-1/4" (32 mm) H	Clear	\$66.25
Drawer Front Mounting Brackets (Bulk Pack)				
CJD-DMB-KIT	Drawer Front Mount Bracket		Black	\$5.35 pr.

Note: Minimum Height Opening: 3-1/4" (82 mm)



CLSZ-W5-96-1

- Available in (3) and (5) shelf versions
- Five-shelf version is designed to fit standard closets up to 96" in height, and the three-shelf version fits up to 55" (1397 mm) in height
- Both versions can be cut for shorter height applications
- W3-W5 has (5) adjustable shoe horns per shelf. M3-M5 has (4) adjustable shoe horns per shelf
- Rotating adjustable shelves with acrylic inserts
- High grade plastic shoe horns
- Shoe horns feature individual height adjustment and 360-degree rotation
- A built-in detent ensures your shoes are always facing out



18" diameter, 15" recommended distance between shelves.

SHOE CAPACITY (IN PAIRS)		
	3-Shelf	5-Shelf
Men's	12	20
Women's	15	25



Easily adjustable shelves have an acrylic insert to store small personal items



Each pair pivots 360° for easy access and displays shoes from their tops not heel/sole



Vertical adjustment for different shoe styles (3.5" for W3-W5 version and 5" for M3-M5 version)



Detent for stabilization



CLSZ-W5-96-1

Women's 5-Tier Lazy Shoe-Zen



CLSZ-M5-96-1

Men's 5-Tier Lazy Shoe-Zen



CLSZ-W3-55-1

Women's 3-Tier Lazy Shoe-Zen



CLSZ-M3-55-1

Men's 3-Tier Lazy Shoe-Zen



CLSZ-W1-1

Women's Additional Tier



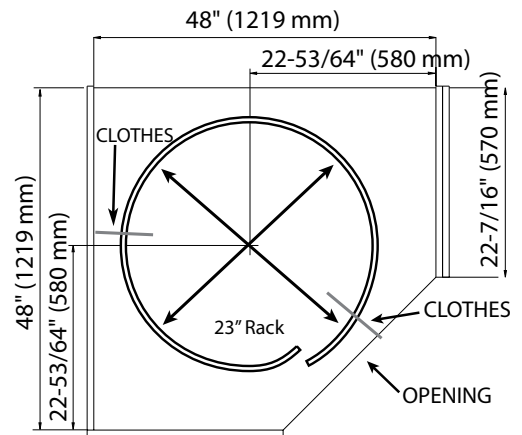
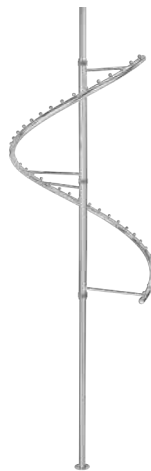
CLSZ-M1-1

Men's Additional Tier

Lazy Shoe-Zen

PRODUCT	DESCRIPTION	DIMS	FINISH	SLP
CLSZ-W5-96-1	Women's 5-Tier Lazy Shoe-Zen	See Chart (Telescoping Range of 95"-103" (2413 mm - 2616 mm) H)	Chrome	\$945.25
CLSZ-M5-96-1	Men's 5-Tier Lazy Shoe-Zen	See Chart (Telescoping Range of 95"-103" (2413 mm - 2616 mm) H)	Chrome	\$891.75
CLSZ-W3-55-1	Women's 3-Tier Lazy Shoe-Zen	See Chart (Telescoping Range of 54"-62" (1372 mm - 1575 mm) H)	Chrome	\$572.15
CLSZ-M3-55-1	Men's 3-Tier Lazy Shoe-Zen	See Chart (Telescoping Range of 54"-62" (1372 mm - 1575 mm) H)	Chrome	\$540.00
CLSZ-W1-1	Women's Additional Tier	See Chart	Chrome	\$163.85
CLSZ-M1-1	Men's Additional Tier	See Chart	Chrome	\$150.65

- 360-degree turning radius
- Adjustable height of 72-1/2" to 84" (1842-2134 mm)
- Can hang (40) single items of clothing
- Comes complete with a stabilizer bar, post and pivot hardware and mounting hardware



SHR-3684

360° Spiral Clothes Rack

NOTE: The size of your hangers and clothing stored on this unit will dictate the minimum size of the cabinet

Spiral Clothes Rack

PRODUCT	DESCRIPTION	DIMS	FINISH	SLP
SHR-3684	360° Spiral Clothes Rack	23" (585 mm) W x 23" (585 mm) x 72-1/2"- 84" (1842-2134 mm) H	Chrome	\$352.05

21/22.

Standing the test of time, Rev-A-Shelf's Lazy Susan line is revered as the best in the industry with exceptional quality, unfaltering durability and premium selection! Our extensive collection of Lazy Susans includes Full Circle, Kidney, D-Shape, Pie Cut and Half Moon designs to accommodate any cabinet shape. With sizes ranging from 10" to 32" and your choice of polymer, wood or wire, you are sure to find the perfect Susan for any cabinet size or style. The bottom line - we know Lazy Susans! Next time you are specifying a Lazy Susan, call on the brand you can trust for superior quality and the brand that started it all: Rev-A-Shelf!

LAZY SUSAN

PROP 65 WARNING FOR CALIFORNIA RESIDENTS
WARNING: This product can expose you to chemicals such as formaldehyde, lead or PVC, which are known to the State of California to cause cancer and birth defects or other reproductive harm. For more information go to www.P65Warnings.ca.gov



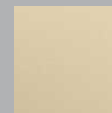
POLYMER LAZY SUSANS

THE MOST COMPLETE LINE IN THE INDUSTRY!



LAZY DAISY

- Molded Polymer Hub
- Patented Snap Pin Hardware
- Ribbed Tray Surface
- Available in Almond and White

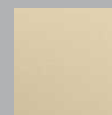


Good



VALUE LINE

- Molded Polymer Hub
- Polymer Hardware
- Twist-n-Lock Post System
- Smooth Tray Surface
- Available in Almond and White

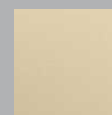


Better



RAS ORIGINAL

- Chrome Hubs
- Metal/Cast Hardware
- Dependent/Independently Rotating Post Systems
- Available in Almond and White



Best



Rev-A-Shelf's Lazy Susans are tested to exceed BHMA Class 1 Specs: 20 lbs. per square foot at 75K cycles.



All of our lazy susans are manufactured using high quality materials and are backed by a limited Lifetime Warranty. We have developed a tiered category system that will allow you to quickly identify which configuration will give you the features you want, with the value you require.

Full Circle

Size	Lazy Daisy	Value Line	RAS
16"			
18"			
20"			
24"			
28"			
32"			

Kidney

18"			
24"			
28"			
32"			

Pie Cut

18"			
24"			
28"			

D-Shaped

20"			
22"			
32"			

Half Moon

31"			
33"			
39"			

Hardware

Size	Lazy Daisy	Value Line	RAS
Telescoping Post			
Twist-n-Lock Post			
Bottom Mount			

Shelf Support

Snap Pin			
Metal/Die Components			
Polymer Components			

Hub

Molded Hub			
Chrome Hub			

Information

	Lazy Daisy	Value Line	RAS
Part Numbers/Pricing	350	356	360
Specifications	354	359	365

Featured: 6472-11-52-A

Weights & Measurements

Size	Half Moon		D-Shaped		Kidney		Pie Cut		Full Round	
	Sq. Ft.	lbs.	Sq. Ft.	lbs.	Sq. Ft.	lbs.	Sq. Ft.	lbs.	Sq. Ft.	lbs.
10"	-	-	-	-	-	-	-	-	0.43	8.6
16"	-	-	-	-	-	-	-	-	1.19	23.8
18"	-	-	-	-	1.28	25.6	1.26	25.2	1.54	30.8
20"	-	-	1.79	35.8	-	-	-	-	1.87	37.4
22"	-	-	2.10	42	-	-	-	-	-	-
24"	-	-	-	-	2.51	50.2	2.3	46	2.84	56.8
28"	-	-	3.71	74.2	3.2	64	3.4	68	3.9	78
31"	1.9	38	-	-	-	-	-	-	-	-
32"	1.79	35.8	4.97	99.4	4.2	84	4.54	90.8	5.03	100.6
33"	2.01	40.2	-	-	-	-	-	-	-	-
35"	2.45	49	-	-	-	-	-	-	-	-
38"	3.17	63.4	-	-	-	-	-	-	-	-
39"	3.48	69.6	-	-	-	-	-	-	-	-

Lazy Susan

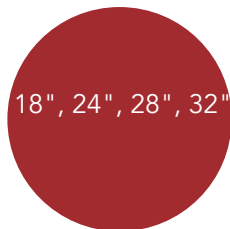
Polymer Lazy Daisy

- Unique patented snap pin design
- Ribbed tray surface
- Molded polymer hubs
- Independently rotating
- Almond and white
- Polypropylene material
- US Patent No.'s 7,922,016 and 8,528,873

For part number and pricing see page 352. See page 354 for specifications.



Tray Configurations



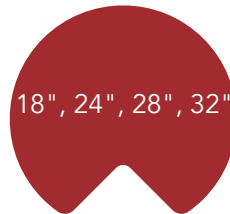
18", 24", 28", 32"

Full Circle



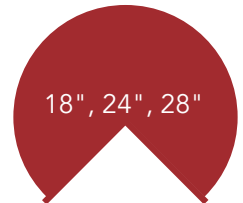
32"

D-Shaped



18", 24", 28", 32"

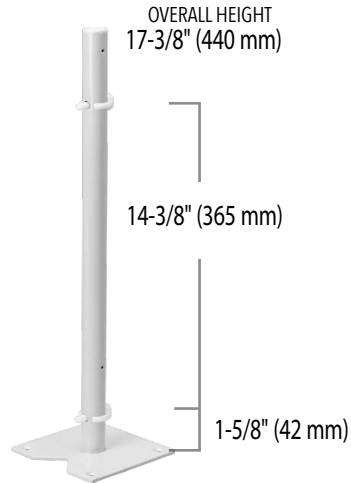
Kidney Shaped



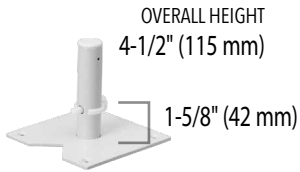
18", 24", 28"

Pie Cut

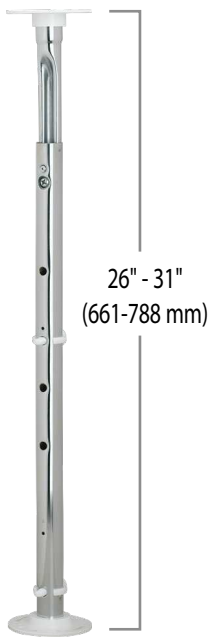
Unique Snap Pin Design



LD-20/22/24BM2-04



LD-20/22/24BM1-04



LD-20-04-5



LD-20-0436



LD-20-0431



LD-29-04

Hardware

Size	Lazy Daisy	Value Line	RAS
Telescoping Post	•		•
Twist-n-Lock Post		•	
Bottom Mount	•	•	•

Shelf Support

Snap Pin	•		
Metal/Die Components			•
Polymer Components	•	•	

Hub

Molded Hub	•	•	
Chrome Hub			•

FULL CIRCLE SHELF



Bottom Mount Polymer Lazy Daisy w/ Hardware

PRODUCT	DESCRIPTION	DIMS	FINISH	SLP
LD-2061-18BM-**-1	Single Shelf	18" Diameter (457 mm)	Polymer	\$41.10
LD-2061-24BM-**-1	Single Shelf	24" Diameter (610 mm)	Polymer	\$48.65
LD-2061-28BM-**-1	Single Shelf	28" Diameter (711 mm)	Polymer	\$54.00
LD-2061-32BM-**-1	Single Shelf	32" Diameter (813 mm)	Polymer	\$61.55

(2) Shelf Bottom Mount Polymer Lazy Daisy w/ Hardware

LD-2062-18BM-**-1	(2) Shelf Set	18" Diameter (457 mm)	Polymer	\$59.55
LD-2062-24BM-**-1	(2) Shelf Set	24" Diameter (610 mm)	Polymer	\$75.80
LD-2062-28BM-**-1	(2) Shelf Set	28" Diameter (711 mm)	Polymer	\$85.80
LD-2062-32BM-**-1	(2) Shelf Set	32" Diameter (813 mm)	Polymer	\$103.50

(2) Shelf Polymer Lazy Daisy w/ 26"-31" Telescoping Post

LD-2062-18-**-1	(2) Shelf Set	18" Diameter (457 mm)	Polymer	\$60.50
LD-2062-24-**-1	(2) Shelf Set	24" Diameter (610 mm)	Polymer	\$78.35
LD-2062-28-**-1	(2) Shelf Set	28" Diameter (711 mm)	Polymer	\$89.80
LD-2062-32-**-1	(2) Shelf Set	32" Diameter (813 mm)	Polymer	\$106.95

(3) Shelf Polymer Lazy Daisy w/ 31"-41" Telescoping Post

LD-2063-1836-**-1	(3) Shelf Set	18" Diameter (457 mm)	Polymer	\$93.45
-------------------	---------------	-----------------------	---------	---------

FULL CIRCLE SHELF BULK



Polymer Lazy Daisy- No Hardware

PRODUCT	DESCRIPTION	DIMS	FINISH	SLP
LD-2001-18-**-10	(10) Single Shelves	18" Diameter (457 mm)	Polymer	\$17.10 ea.
LD-2001-24-**-10	(10) Single Shelves	24" Diameter (610 mm)	Polymer	\$24.50 ea.
LD-2001-28-**-10	(10) Single Shelves	28" Diameter (711 mm)	Polymer	\$29.70 ea.
LD-2001-32-**-10	(10) Single Shelves	32" Diameter (813 mm)	Polymer	\$37.85 ea.

Snap Pin Hardware

LD-20-0431-5	(5) 30-35" Telescoping Posts		Zinc/White	\$33.35 ea.
LD-20-0436-5	(5) 34-41" Telescoping Posts		Zinc/White	\$37.25 ea.
LD-20-04-5	(5) 26-31" Telescoping Posts		Zinc/White	\$21.75 ea.
LD-20BM1-04-10	(10) Bottom Mount		Zinc/White	\$14.10 ea.
LD-20BM2-04-5	(5) Bottom Mount		Zinc/White	\$18.25 ea.

PIE CUT SHELF



(Attaches to the cabinet door)

(2) Shelf Polymer Lazy Daisy w/ 26"-31" Telescoping Post

PRODUCT	DESCRIPTION	DIMS	FINISH	SLP
LD-2942-18-**-1	(2) Shelf Set	18" Diameter (457 mm)	Polymer	\$88.70
LD-2942-24-**-1	(2) Shelf Set	24" Diameter (610 mm)	Polymer	\$94.95
LD-2942-28-**-1	(2) Shelf Set	28" Diameter (711 mm)	Polymer	\$116.85

PIE CUT SHELF BULK



(Attaches to the cabinet door)

Polymer Lazy Daisy- No Hardware

PRODUCT	DESCRIPTION	DIMS	FINISH	SLP
LD-2901-18-**-10	(10) Single Shelves	18" Diameter (457 mm)	Polymer	\$21.45 ea.
LD-2901-24-**-10	(10) Single Shelves	24" Diameter (610 mm)	Polymer	\$27.10 ea.
LD-2901-28-**-10	(10) Single Shelves	28" Diameter (711 mm)	Polymer	\$39.60 ea.

Hardware

LD-29-04-18-5	(5) LD Hdw for Polymer 18" Pie Cut w/ 26-31" Telescoping Post		Zinc/White	\$41.30 ea.
LD-29-04-5	(5) LD Hdw for Polymer 24" & 28" Pie Cut w/ 26-31" Telescoping Post		Zinc/White	\$43.45 ea.

KIDNEY SHELF



(Hinged door; Not attached)

(2) Shelf Polymer Lazy Daisy w/ 26"-31" Telescoping Post

PRODUCT	DESCRIPTION	DIMS	FINISH	SLP
LD-2472-18-**-1	(2) Shelf Set	18" Diameter (457 mm)	Polymer	\$61.55
LD-2472-24-**-1	(2) Shelf Set	24" Diameter (610 mm)	Polymer	\$76.35
LD-2472-28-**-1	(2) Shelf Set	28" Diameter (711 mm)	Polymer	\$92.15
LD-2472-32-**-1	(2) Shelf Set	32" Diameter (813 mm)	Polymer	\$112.15

(2) Shelf Bottom Mount Polymer Lazy Daisy w/ Hardware

LD-2472-18BM-**-1	(2) Shelf Set	18" Diameter (457 mm)	Polymer	\$61.30
LD-2472-24BM-**-1	(2) Shelf Set	24" Diameter (610 mm)	Polymer	\$72.15
LD-2472-28BM-**-1	(2) Shelf Set	28" Diameter (711 mm)	Polymer	\$83.90
LD-2472-32BM-**-1	(2) Shelf Set	32" Diameter (813 mm)	Polymer	\$106.55

(3) Shelf Bottom Mount Polymer Lazy Daisy w/ 31"-41" Telescoping Post

LD-2473-1836-**-1	(3) Shelf Set	18" Diameter (457 mm)	Polymer	\$94.75
-------------------	---------------	-----------------------	---------	---------

KIDNEY SHELF BULK



(Hinged door; Not attached)

Polymer Lazy Daisy- No Hardware

PRODUCT	DESCRIPTION	DIMS	FINISH	SLP
LD-2401-18-**-10	(10) Single Shelves	18" Diameter (457 mm)	Polymer	\$17.40 ea.
LD-2401-24-**-10	(10) Single Shelves	24" Diameter (610 mm)	Polymer	\$21.90 ea.
LD-2401-28-**-10	(10) Single Shelves	28" Diameter (711 mm)	Polymer	\$28.55 ea.
LD-2401-32-**-10	(10) Single Shelves	32" Diameter (813 mm)	Polymer	\$36.40 ea.

Snap Pin Hardware

LD-20-0431-5	(5) 30-35" Telescoping Posts		Zinc/White	\$32.25 ea.
LD-24-0436-5	(5) 34-41" Telescoping Posts		Zinc/White	\$36.30 ea.
LD-24-04-5	(5) 26-31" Telescoping Posts		Zinc/White	\$20.20 ea.
LD-24BM1-04-10	(10) Bottom Mounts		Zinc/White	\$14.10 ea.
LD-24BM2-04-5	(5) Double Bottom Mounts		Zinc/White	\$18.25 ea.

D-SHAPED SHELF



Bottom Mount Polymer Lazy Daisy w/ Hardware

PRODUCT	DESCRIPTION	DIMS	FINISH	SLP
LD-2261-32BM-**-1	Single Shelf	32" Diameter (813 mm)	Polymer	\$66.45

(2) Shelf Polymer Lazy Daisy w/ Hardware

LD-2262-32-**-1	(2) Shelf Set	32" Diameter (813 mm)	Polymer	\$114.75
-----------------	---------------	-----------------------	---------	----------

(2) Shelf Bottom Mount Polymer Lazy Daisy w/ Hardware

LD-2262-32BM-**-1	(2) Shelf Set	32" Diameter (813 mm)	Polymer	\$115.65
-------------------	---------------	-----------------------	---------	----------

D-SHAPED SHELF BULK



Polymer Lazy Daisy- No Hardware

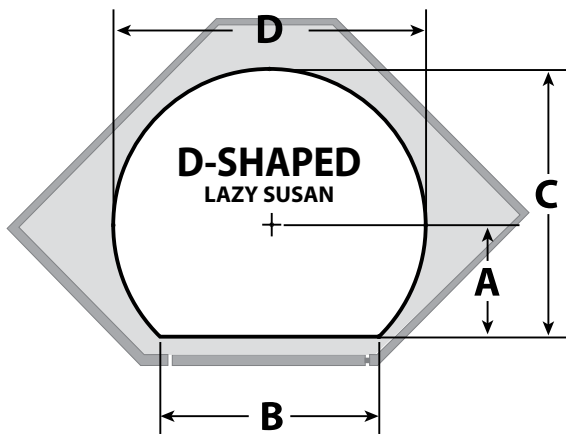
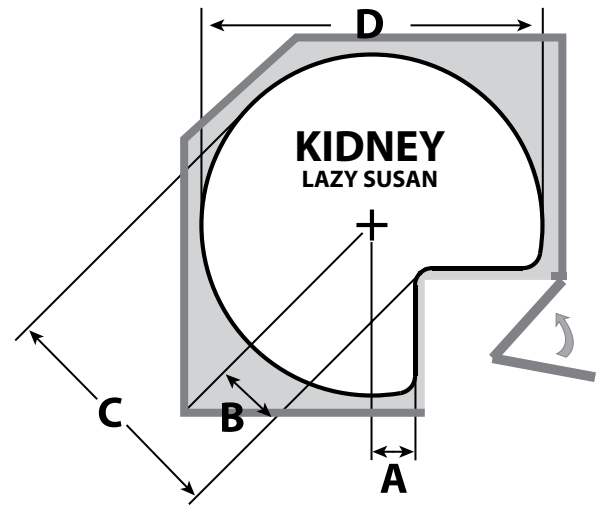
PRODUCT	DESCRIPTION	DIMS	FINISH	SLP
LD-2201-32-**-10	(10) Single Shelves	32" Diameter (813 mm)	Polymer	\$41.05 ea.

Hardware

LD-20-0431-5	(5) 30-35" Telescoping Posts		Zinc/White	\$32.25 ea.
LD-22-04-5	(5) 26-31" Telescoping Posts		Zinc/White	\$21.35 ea.
LD-22BM1-04-10	(10) Bottom Mounts		Zinc/White	\$13.80 ea.
LD-22BM2-04-5	(5) Double Bottom Mounts		Zinc/White	\$18.25 ea.

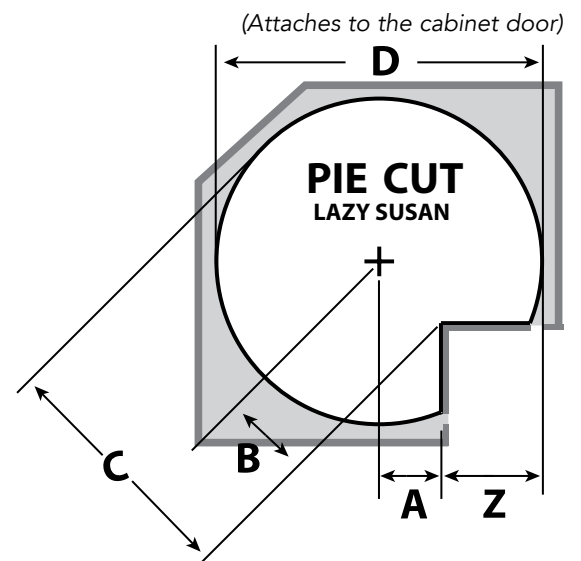
** Denotes color.  11 for white  15 for almond. Ask your salesperson about custom configurations and blank trays.

Shelf	Material	Series	A	B	C	D	post system
18" Kidney	Polymer	LD	1-1/8"	2"	11"	18"	25 mm IND/Dep
24" Kidney	Polymer	LD	1-3/4"	2-3/4"	14-3/4"	24"	25 mm IND/Dep
28" Kidney	Polymer	LD	3"	4-3/8"	18-3/8"	27-5/8"	25 mm IND/Dep
32" Kidney	Polymer	LD	4"	6"	21-7/8"	31-3/4"	25 mm IND/Dep

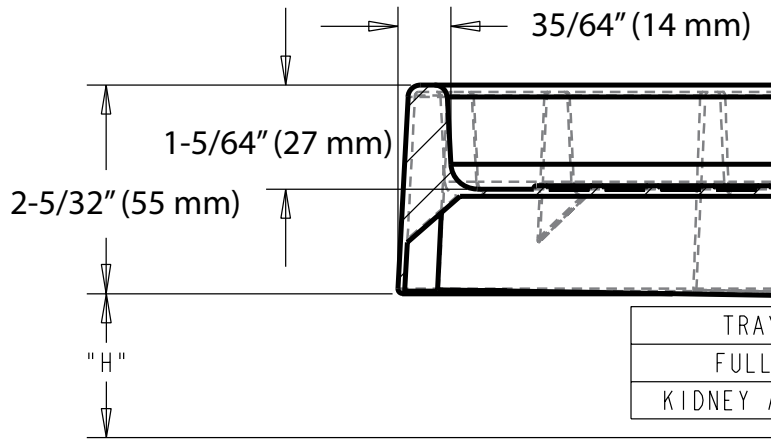


Shelf	Material	Series	A	B	C	D	post system
32" D-Shaped	Polymer	LD	14"	14-3/4"	29-7/8"	31-3/4"	25 mm IND/Dep

Shelf	Material	Series	A	B	C	D	Z
18" Pie Cut	Polymer	LD	1-1/8"	1-5/8"	10-5/8"	18"	8" + 1/8" GAP
24" Pie Cut	Polymer	LD	1-5/8"	2-3/8"	14-3/8"	24"	10-3/8" + 1/8" GAP
28" Pie Cut	Polymer	LD	3"	4-1/4"	18"	27-5/8"	10-7/8" + 1/8" GAP



For custom applications a trial installation is recommended. Door edge profile, thickness and gaps all factor in installation.



TRAY SHAPE	"H"
FULL CIRCLE	1.60" [40.6MM]
KIDNEY AND D-SHAPE	1.45" [36.8MM]

TOP OF CABINET FLOOR

WE HAVE
EVEN MORE
OPTIONS!

**LAZY
SUSANS**

Call your salesperson or 800-626-1126
if you would like more information on

Custom Tray/Hardware Configurations

Pallet Program/Enviro Packaging:

Many of our Lazy Susans are available in pallet quantities:

- Volume pricing
- Reduced transportation cost
- Minimal storage space
- Environmentally conscious packaging



Lazy Susan

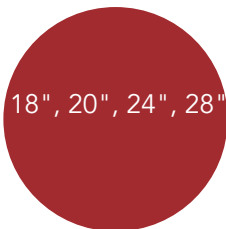
Polymer Value Line

- Twist-n-Lock telescoping post
- Molded polymer hubs
- Independently rotating
- Almond and white
- Polystyrene material

For part number and pricing see page 358. See page 358 for specifications.

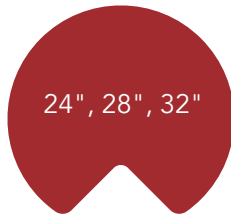


Tray Configurations



18", 20", 24", 28"

Full Circle



24", 28", 32"

Kidney Shaped



OPTIONAL: Ring cap included on 18" and 20" unit eliminates detent



Twist-n-Lock Telescoping Post

Hardware

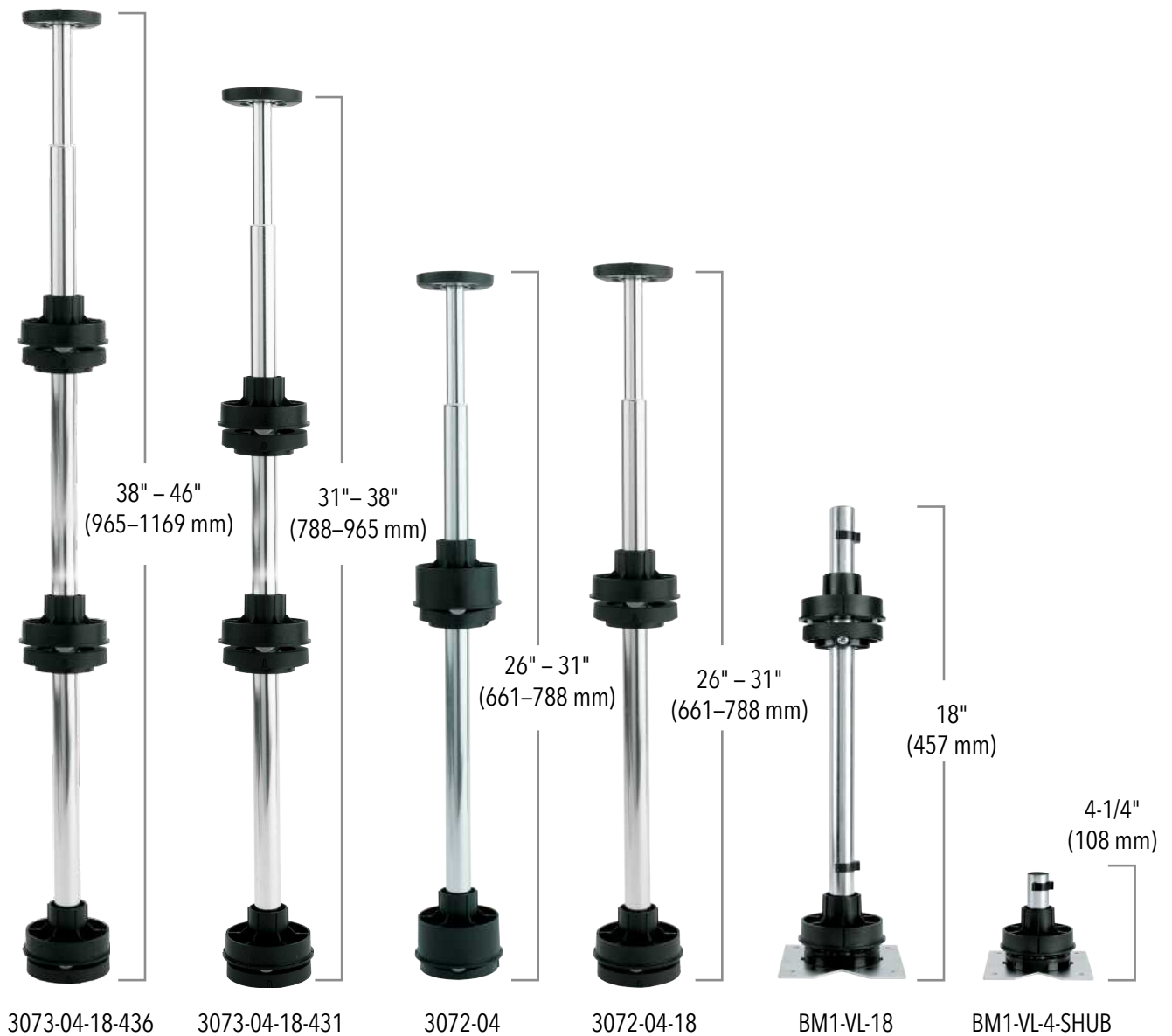
Size	Lazy Daisy	Value Line	RAS
Telescoping Post	•		•
Twist-n-Lock Post		•	
Bottom Mount	•	•	•

Shelf Support

Snap Pin	•		
Metal/Die Components			•
Polymer Components	•	•	

Hub

Molded Hub	•	•	
Chrome Hub			•



3073-04-18-436

3073-04-18-431

3072-04

3072-04-18

BM1-VL-18

BM1-VL-4-SHUB

FULL CIRCLE SHELF



Value Line Lazy Susan w/ Hub -Must purchase bottom mount hardware to attach to cabinet

PRODUCT	DESCRIPTION	DIMS	FINISH	SLP
3071-18-**-52	Single Shelf	18" (457 mm) Diameter	Polymer	\$26.85
3071-20-**-52	Single Shelf	20" (508 mm) Diameter	Polymer	\$32.35
3071-24-**-52	Single Shelf	24" (610 mm) Diameter	Polymer	\$36.40
3071-28-**-52	Single Shelf	28" (711 mm) Diameter	Polymer	\$45.40

Bottom Mount Hardware

BM1-VL-04-52	Hardware	4-1/4" (108 mm) H	Zinc	\$21.85
BM1-VL-18-52	Hardware for (2) Shelf Set	18" (457 mm) H	Zinc	\$25.10

(2) Shelf Value Line Lazy Susan w/ 26"-31" (660-788 mm) Telescoping Post

3072-18-**-52	(2) Shelf Set	18" (457 mm) Diameter	Polymer	\$65.00
3072-20-**-52	(2) Shelf Set	20" (508 mm) Diameter	Polymer	\$75.75
3072-24-**-52	(2) Shelf Set	24" (610 mm) Diameter	Polymer	\$84.25
3072-28-**-52	(2) Shelf Set	28" (711 mm) Diameter	Polymer	\$95.85

(3) Shelf Value Line Lazy Susan w/ 31"-38" (788-965 mm) Telescoping Post

3073-18-**-531	(3) Shelf Set	18" (457 mm) Diameter	Polymer	\$96.20
3073-20-**-531	(3) Shelf Set	20" (508 mm) Diameter	Polymer	\$112.00

(3) Shelf Value Line Lazy Susan w/ 38"-46" (965-1169 mm) Telescoping Post

3073-18-**-536	(3) Shelf Set	18" (457 mm) Diameter	Polymer	\$103.30
3073-20-**-536	(3) Shelf Set	20" (508 mm) Diameter	Polymer	\$118.95

FULL CIRCLE SHELF BULK



Value Line Lazy Susan-No Hardware

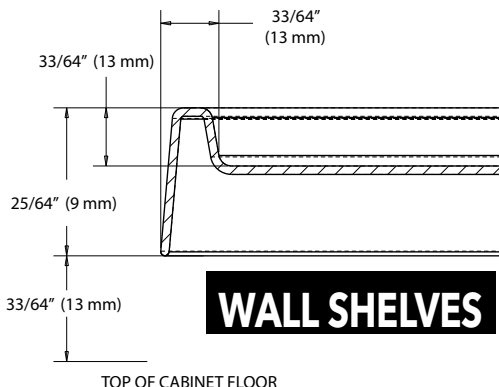
PRODUCT	DESCRIPTION	DIMS	FINISH	SLP
3001-18-**-12	(10) Single Shelves	18" (457 mm) Diameter	Polymer	\$20.75 ea.
3001-20-**-12	(10) Single Shelves	20" (508 mm) Diameter	Polymer	\$25.65 ea.
3001-24-**-12	(10) Single Shelves	24" (610 mm) Diameter	Polymer	\$29.70 ea.
3001-28-**-12	(10) Single Shelves	28" (711 mm) Diameter	Polymer	\$35.80 ea.

Hardware

3072-04-6	(6) 26"-31" (600-788 mm) Telescoping Posts		Zinc	\$21.90 ea.
3072-04-18-6	(6) 26"-31" (600-788 mm) Telescoping Posts w/ Ring Cap		Zinc	\$22.05 ea.
3073-04-18-431-4	(4) 31"-38" (788-965 mm) Telescoping Posts w/ Ring Cap		Zinc	\$41.20 ea.
3073-04-18-436-4	(4) 38"-46" (965-1169 mm) Telescoping Posts w/ Ring Cap		Zinc	\$42.35 ea.
BM1-VL-4-SHUB-12	Bottom Mount w/ Wall Hub	4" (102 mm)	Zinc	\$20.00 ea.
BM1-VL-4-LHUB-12	Bottom Mount w/ Base Hub	4" (102 mm)	Zinc	\$20.60 ea.

LIP SPECIFICATIONS

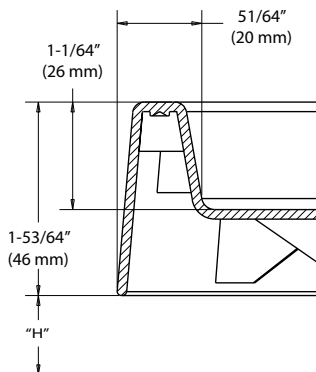
VALUE LINE POLYMER SHELVES



WALL SHELVES

TOP OF CABINET FLOOR

Full Circle	"H"
3072-18	5/16" (8 mm)



TOP OF CABINET FLOOR

BASE SHELVES

Full Circle	"H"
3072-24 & 28	1-3/64" (27 mm)

Kidney	"H"
3472-24, 28 & 32	1-3/64" (27 mm)

KIDNEY SHAPED SHELF



(Hinged door; Not attached)

Value Line Lazy Susan w/ Hub - Must purchase bottom mount hardware to attach to cabinet

PRODUCT	DESCRIPTION	DIMS	FINISH	SLP
3471-24-**-52	Single Shelf	24" (610 mm) Diameter	Polymer	\$34.05
3471-28-**-52	Single Shelf	28" (711 mm) Diameter	Polymer	\$43.05
3471-32-**-52	Single Shelf	32" (813 mm) Diameter	Polymer	\$53.50

Bottom Mount Hardware

BM1-VL-04-52	Hardware	4-1/4" (108 mm) H	Zinc	\$15.25
BM1-VL-18-52	Hardware for (2) Shelf Set	18" (457 mm) H	Zinc	\$25.10

(2) Shelf Value Line Lazy Susan w/ 26"-31" (660-788 mm) Telescoping Post

3472-24-**-52	(2) Shelf Set	24" (610 mm) Diameter	Polymer	\$81.20
3472-28-**-52	(2) Shelf Set	28" (711 mm) Diameter	Polymer	\$97.60
3472-32-**-52	(2) Shelf Set	32" (813 mm) Diameter	Polymer	\$118.90

KIDNEY SHAPED SHELF BULK



(Hinged door; Not attached)

Value Line Lazy Susan- No Hardware

PRODUCT	DESCRIPTION	DIMS	FINISH	SLP
3401-24-**-12	(12) Single Shelves	24" (610 mm) Diameter	Polymer	\$23.05 ea.
3401-28-**-12	(12) Single Shelves	28" (711 mm) Diameter	Polymer	\$31.05 ea.
3401-32-**-12	(12) Single Shelves	32" (813 mm) Diameter	Polymer	\$40.00 ea.

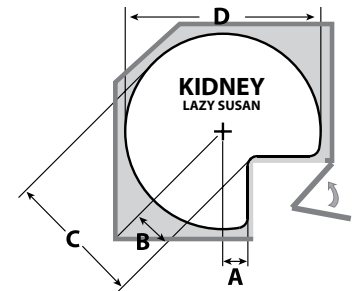
Hardware

3472-04-6	(6) Post and Pivot Hardware	26"-31" (660-788 mm) H	Zinc	\$22.75 ea.
BM1-VL-4-LHUB-12	(12) Bottom Mounts w/ Base Hub	4" (102 mm)	Zinc	\$20.60 ea.
BM1-VL-18-LHUB-12	(12) - (2) Shelf Bottom Mounts w/ Base Hub		Zinc	

** Denotes color. 11 for white 15 for almond. Ask your salesperson about custom configurations and blank trays.



Value Line ™
By REV-A-SHELF®



Shelf	Material	Series	A	B	C	D	Post System
24" Kidney	polymer	3400	1-1/2"	2-5/16"	14-5/16"	24"	1" Ind.
28" Kidney	polymer	3400	3"	4-11/16"	18-5/8"	28"	1" Ind.
32" Kidney	polymer	3400	4-1/4"	6-7/16"	22-7/16"	32"	1" Ind.

DEP.=DEPENDENT ROTATING SYSTEM
IND.=INDEPENDENT ROTATING SYSTEM

Lazy Susan

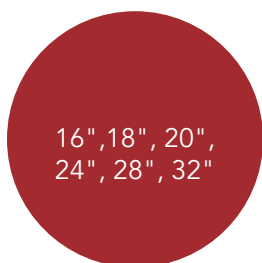
RAS Polymer

- Chrome post and hubs
- Independently and dependently rotating
- Almond and white
- Polystyrene material

For part number and pricing see page 362. See page 365 for specifications.



Tray Configurations



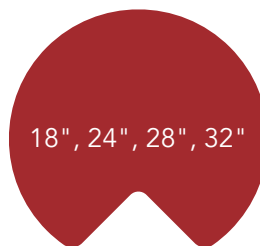
16", 18", 20",
24", 28", 32"

Full Circle



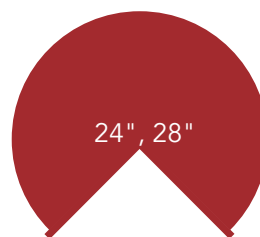
20", 22"

D-Shaped



18", 24", 28", 32"

Kidney Shaped



24", 28"

Pie Cut



31", 33", 39"

Half Moon

Hardware

Size	Lazy Daisy	Value Line	RAS
Telescoping Post	•		•
Twist-n-Lock Post		•	
Bottom Mount	•	•	•

Shelf Support

Snap Pin	•		
Metal/Die Components			•
Polymer Components	•	•	

Hub

Molded Hub	•	•	
Chrome Hub			•



BM1-18



4-11/16"
(119 mm)

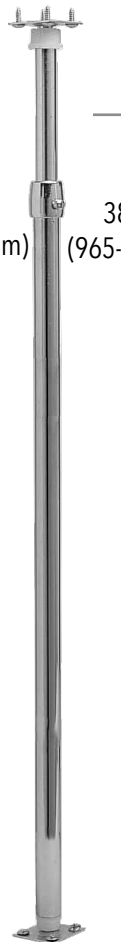
BM1-04



6942-04-28



6265-04



6022-04-426



6073-04-536

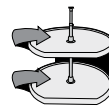


6272-04



6072-04

FULL CIRCLE SHELF



DEPENDENTLY ROTATING

(2) Shelf RAS Polymer Lazy Susan w/ 24"-31" (610-788 mm) Telescoping Post

PRODUCT	DESCRIPTION	DIMS	FINISH	SLP
6012-18-**-52	(2) Shelf Set	18" (457 mm) Diameter	Polymer	\$76.75
6012-20-**-52	(2) Shelf Set	20" (508 mm) Diameter	Polymer	\$84.75
6012-24-**-52	(2) Shelf Set	24" (610 mm) Diameter	Polymer	\$93.55
6012-28-**-52	(2) Shelf Set	28" (711 mm) Diameter	Polymer	\$112.85

(3) Shelf RAS Polymer Lazy Susan w/ 38"-46" (965-1169 mm) Telescoping Post

6013-18-**-526	(3) Shelf Set	18" (457 mm) Diameter	Polymer	\$114.75
6013-20-**-526	(3) Shelf Set	20" (508 mm) Diameter	Polymer	\$127.05

FULL CIRCLE SHELF BULK



RAS Polymer Lazy Susan -No Hardware

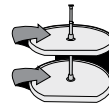
PRODUCT	DESCRIPTION	DIMS	FINISH	SLP
6001-18-**-4	(12) Single Shelves	18" (457 mm) Diameter	Polymer	\$22.20 ea.
6001-20-**-4	(12) Single Shelves	20" (508 mm) Diameter	Polymer	\$25.65 ea.
6001-24-**-4	(12) Single Shelves	24" (610 mm) Diameter	Polymer	\$30.00 ea.
6001-28-**-4	(12) Single Shelves	28" (711 mm) Diameter	Polymer	\$38.40 ea.

Hardware

6022-04-4	(6) Post and Pivot Hardware	24"-31" (610-788 mm) H	Zinc	\$24.05 ea.
6022-04-426	(4) Post and Pivot Hardware	38"-46" (968-1169 mm) H	Zinc	\$34.65 ea.

NOTES: 3/4" (19 mm) diameter post system. **6012** - Telescoping post dimensions 12" (305 mm) upper & 21" (534 mm) lower post. **6013** - Telescoping post dimensions 12" (305 mm) upper & 36" (915 mm) lower post. Post length can be cut to accommodate inner cabinet heights of less than 38" (965 mm).

D-SHAPED SHELF



DEPENDENTLY ROTATING

(2) Shelf RAS Polymer Lazy Susan w/ 24"-31" (610-788 mm) Telescoping Post

PRODUCT	DESCRIPTION	DIMS	FINISH	SLP
7012-20-**-52	(2) Shelf Set	20" (508 mm) Diameter	Polymer	\$82.55

(3) Shelf RAS Polymer Lazy Susan w/ 38"-46" (965-1169 mm) Telescoping Post

7013-20-**-526	(3) Shelf Set	20" (508 mm) Diameter	Polymer	\$118.95
----------------	---------------	-----------------------	---------	----------

D-SHAPED SHELF BULK



RAS Polymer Lazy Susan -No Hardware

PRODUCT	DESCRIPTION	DIMS	FINISH	SLP
7001-20-**-4	(12) Single Shelves	20" (508 mm) Diameter	Polymer	\$27.55 ea.

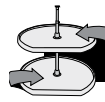
Hardware

6022-04-4	(6) 24"-31" (610-788 mm) Telescoping Posts		Zinc	\$24.05 ea.
6022-04-426	(4) 38"-46" (968-1169 mm) Telescoping Posts		Zinc	\$34.65 ea.

NOTES: 3/4" (19 mm) diameter post system. **7012** - Telescoping post dimensions 12" (305 mm) upper & 21" (534 mm) lower post. **7013** - Telescoping post dimensions 12" (305 mm) upper & 36" (915 mm) lower post. ** Available colors: 11 White, 15 Almond Tested to exceed BHMA Class 1 Specifications.

** Denotes color. 11 for white 15 for almond. Ask your salesperson about custom configurations and blank trays.

FULL CIRCLE SHELF



INDEPENDENTLY ROTATING

RAS Polymer Lazy Susan w/ Hub -Must purchase bottom mount hardware to attach to cabinet

PRODUCT	DESCRIPTION	DIMS	FINISH	SLP
6071-16-**-52	Single Shelf	16" (406 mm) Diameter	Polymer	\$42.20
6071-18-**-52	Single Shelf	18" (457 mm) Diameter	Polymer	\$43.35
6071-20-**-52	Single Shelf	20" (508 mm) Diameter	Polymer	\$46.70
6071-24-**-52	Single Shelf	24" (610 mm) Diameter	Polymer	\$52.50
6071-28-**-52	Single Shelf	28" (711 mm) Diameter	Polymer	\$65.10
6071-32-**-52	Single Shelf	32" (813 mm) Diameter	Polymer	\$74.95

Bottom Mount Hardware

BM1-VL-04-52	Hardware	4-1/4" (108 mm) H	Zinc	\$15.25
BM1-VL-18-52	Hardware for (2) Shelf Set	18" (457 mm) H	Zinc	\$25.10

Bottom Mount RAS Polymer Lazy Susan w/ Hardware

PRODUCT	DESCRIPTION	DIMS	FINISH	SLP
6621-16-**-52	Single Shelf	16" (406 mm) Diameter	Polymer	\$57.70
6621-18-**-52	Single Shelf	18" (457 mm) Diameter	Polymer	\$55.55
6621-20-**-52	Single Shelf	20" (508 mm) Diameter	Polymer	\$56.40
6621-24-**-52	Single Shelf	24" (610 mm) Diameter	Polymer	\$64.50
6621-28-**-52	Single Shelf	28" (711 mm) Diameter	Polymer	\$82.05
6621-32-**-52	Single Shelf	32" (813 mm) Diameter	Polymer	\$101.05

(2) Shelf RAS Polymer Lazy Susan w/ 26"-32" (660-813 mm) Telescoping Post

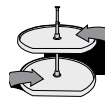
6072-16-**-52	(2) Shelf Set	16" (406 mm) Diameter	Polymer	\$131.15
6072-18-**-52	(2) Shelf Set	18" (457 mm) Diameter	Polymer	\$136.80
6072-20-**-52	(2) Shelf Set	20" (508 mm) Diameter	Polymer	\$156.35
6072-24-**-52	(2) Shelf Set	24" (610 mm) Diameter	Polymer	\$181.45
6072-28-**-52	(2) Shelf Set	28" (711 mm) Diameter	Polymer	\$193.75
6072-32-**-52	(2) Shelf Set	32" (813 mm) Diameter	Polymer	\$203.75

(3) Shelf RAS Polymer Lazy Susan w/ 38"-46" (965-1169 mm) Telescoping Post

6073-18-**-536	(3) Shelf Set	18" (457 mm) Diameter	Polymer	\$195.65
6073-20-**-536	(3) Shelf Set	20" (508 mm) Diameter	Polymer	\$207.25

NOTES: 1" (26 mm) diameter post system. **6072** - Telescoping post dimensions 9-1/4" (235 mm) upper & 21" (534 mm) lower post **6073** - Telescoping post dimensions 9-1/4" (235 mm) upper & 36" (915 mm) lower post. Additional shelves and/or longer posts can be special ordered. Positioning base without wheels 6260-77-2 mounts on base of cabinet.

D-SHAPED SHELF



INDEPENDENTLY ROTATING

RAS Polymer Lazy Susan w/ Hub -Must purchase bottom mount hardware to attach to cabinet

PRODUCT	DESCRIPTION	DIMS	FINISH	SLP
6271-20-**-52	Single Shelf	20" (508 mm) Diameter	Polymer	\$42.20
6271-22-**-52	Single Shelf	22" (559 mm) Diameter	Polymer	\$46.85

Bottom Mount Hardware

BM1-04-52	Hardware	4-11/16" (119 mm) H	Zinc	\$23.35
BM1-18-52	Hardware for (2) Shelf Set	17-7/8" (454 mm) H	Zinc	\$36.25

Bottom Mount RAS Polymer Lazy Susan w/ Hardware

PRODUCT	DESCRIPTION	DIMS	FINISH	SLP
6221-20-**-52	Single Shelf	20" (508 mm) Diameter	Polymer	\$55.60
6221-22-**-52	Single Shelf	22" (559 mm) Diameter	Polymer	\$67.40

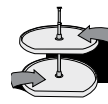
(2) Shelf RAS Polymer Lazy Susan w/ 26"-32" (660-813 mm) Telescoping Post

6272-20-**-52	(2) Shelf Set	20" (508 mm) Diameter	Polymer	\$151.60
6272-22-**-52	(2) Shelf Set	22" (559 mm) Diameter	Polymer	\$138.80

(3) Shelf RAS Polymer Lazy Susan w/ 38"-46" (965-1169 mm) Telescoping Post

6273-20-**-536	(3) Shelf Set	20" (508 mm) Diameter	Polymer	\$206.25
6273-22-**-536	(3) Shelf Set	22" (559 mm) Diameter	Polymer	\$215.80

KIDNEY SHAPED SHELF



INDEPENDENTLY ROTATING

RAS Polymer Lazy Susan w/ Hub -Must purchase bottom mount hardware to attach to cabinet

PRODUCT	DESCRIPTION	DIMS	FINISH	SLP
6471-18-**-52	Single Shelf	18" Diameter (457 mm)	Polymer	\$43.05
6471-24-**-52	Single Shelf	24" Diameter (610 mm)	Polymer	\$51.35
6471-28-**-52	Single Shelf	28" Diameter (711 mm)	Polymer	\$57.85
6471-32-**-52	Single Shelf	32" Diameter (813 mm)	Polymer	\$67.40

Bottom Mount Hardware

BM1-04-52	Hardware	4-11/16" (119 mm) H	Zinc	\$23.35
BM1-18-52	Hardware for (2) Shelf Set	17-7/8" (454 mm) H	Zinc	\$34.50

Bottom Mount RAS Polymer Lazy Susan w/ Hardware

6421-18-**-52	Single Shelf	18" Diameter (457 mm)	Polymer	\$60.15
6421-24-**-52	Single Shelf	24" Diameter (610 mm)	Polymer	\$63.80
6421-28-**-52	Single Shelf	28" Diameter (711 mm)	Polymer	\$74.40
6421-32-**-52	Single Shelf	32" Diameter (813 mm)	Polymer	\$83.50

(2) Shelf RAS Polymer Lazy Susan w/ 26"-32" (660-813 mm) Telescoping Post

6472-18-**-52	(2) Shelf Set	18" Diameter (457 mm)	Polymer	\$117.20
6472-24-**-52	(2) Shelf Set	24" Diameter (610 mm)	Polymer	\$128.10
6472-28-**-52	(2) Shelf Set	28" Diameter (711 mm)	Polymer	\$151.85
6472-32-**-52	(2) Shelf Set	32" Diameter (813 mm)	Polymer	\$171.85

KIDNEY SHAPED SHELF BULK



(Hinged door; Not attached)

(2) Shelf RAS Polymer Lazy Susan w/ 26"-32" (660-813 mm) Telescoping Post

PRODUCT	DESCRIPTION	DIMS	FINISH	SLP
6472-24-**-4S	(5)- (2) Shelf Sets	24" Diameter (610 mm)	Polymer	\$119.70 ea.
6472-28-**-4S	(5)- (2) Shelf Sets	28" Diameter (711 mm)	Polymer	\$142.45 ea.
6472-32-**-4S	(6)- (2) Shelf Sets	32" Diameter (813 mm)	Polymer	\$160.70 ea.

PIE CUT SHELF



(Attaches to the cabinet door)

(2) Shelf RAS Polymer Lazy Susan w/ 26"-32" (660-813 mm) Telescoping Post

PRODUCT	DESCRIPTION	DIMS	FINISH	SLP
6942-24-**-52	(2) Shelf Set	24" Diameter (610 mm)	Polymer	\$111.70
6942-28-**-52	(2) Shelf Set	28" Diameter (711 mm)	Polymer	\$130.55

PIE CUT SHELF BULK



(Attaches to the cabinet door)

(2) Shelf RAS Polymer Lazy Susan - No Hardware

PRODUCT	DESCRIPTION	DIMS	FINISH	SLP
6901-24-**-4	(12) Single Shelves	24" Diameter (610 mm)	Polymer	\$29.00 ea.
6901-28-**-4	(12) Single Shelves	28" Diameter (711 mm)	Polymer	\$43.65 ea.

Hardware

6942-04-4	(6) 26"-32" (660- 813 mm) Telescoping Posts		Polymer	\$55.30 ea.
6942-04-28-4			Polymer	\$55.85 ea.

** Denotes color. 11 for white 15 for almond. Ask your salesperson about custom configurations and blank trays.

HALF MOON SHELF



(2) Shelf RAS Polymer Lazy Susan w/ Pivot

PRODUCT	DESCRIPTION	DIMS	MCO	CAB	FINISH	SLP
6842-31-**-570	(2) Shelf Set	31" (787 mm) Diameter	13-1/4" (337 mm) - FF 15" (381 mm) - FL	BC42	Polymer	\$179.95
6842-33-**-570	(2) Shelf Set	33" (838 mm) Diameter	16-1/8" (410 mm) - FF 17-7/16" (443 mm) - FL	BC45	Polymer	\$194.00
6842-39-**-570	(2) Shelf Set	39" (991 mm) Diameter	19-1/4" (489 mm) - FF 20-3/4" (527 mm) - FL	BC48	Polymer	\$214.00

RAS Polymer Lazy Susan w/ Pivot and Slide

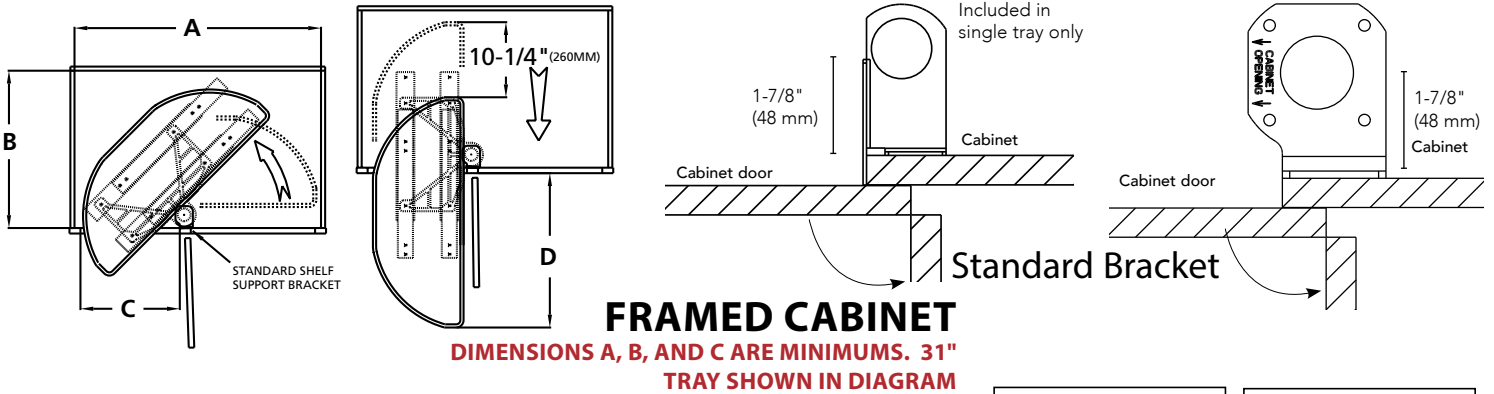
6881-31-**-52	Single Shelf	31" (787 mm) Diameter	13-1/4" (337 mm) - FF 15" (381 mm) - FL	BC42	Polymer	\$160.65
6881-33-**-52	Single Shelf	33" (838 mm) Diameter	16-1/8" (410 mm) - FF 17-7/16" (443 mm) - FL	BC45	Polymer	\$163.40
6881-39-**-52	Single Shelf	39" (991 mm) Diameter	19-1/4" (489 mm) - FF 20-3/4" (527 mm) - FL	BC48	Polymer	\$184.45

(2) Shelf RAS Polymer Lazy Susan w/ Pivot and Slides

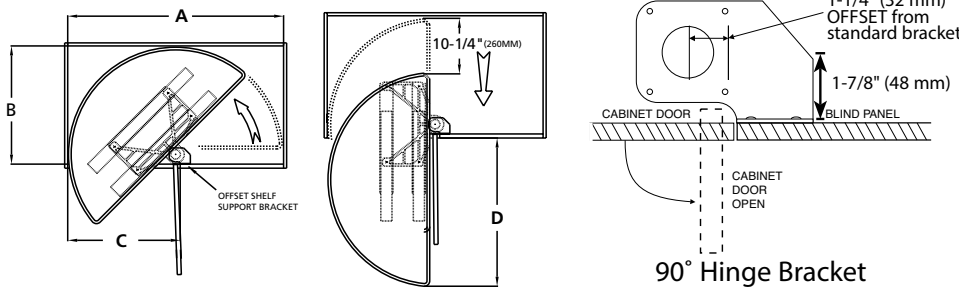
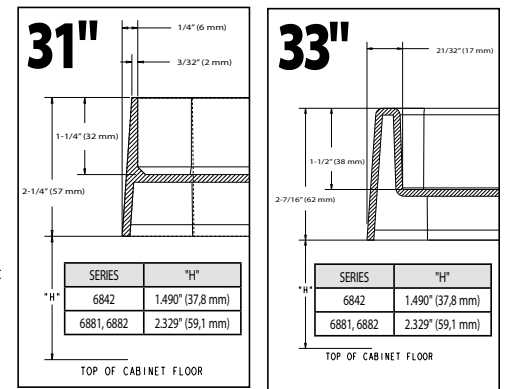
6882-31-**-570	(2) Shelf Set	31" (787 mm) Diameter	13-1/4" (337 mm) - FF 15" (381 mm) - FL	BC42	Polymer	\$269.10
6882-33-**-570	(2) Shelf Set	33" (838 mm) Diameter	16-1/8" (410 mm) - FF 17-7/16" (443 mm) - FL	BC45	Polymer	\$270.70
6882-39-**-570	(2) Shelf Set	39" (991 mm) Diameter	19-1/4" (489 mm) - FF 20-3/4" (527 mm) - FL	BC48	Polymer	\$295.05

Hardware

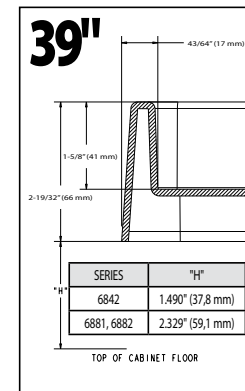
6882-1008-04-52	Half Moon Slide Kit (1 Pair)	10-1/2" (267 mm) Extension			Polymer	\$47.70
-----------------	------------------------------	----------------------------	--	--	---------	---------



NOM Tray size	A	B	C	D
31" (787 mm)	33-11/16" (856 mm)	21-1/2" (546 mm)	13-1/4" (344 mm)	21-1/16" (535 mm)
33" (838 mm)	34-5/16" (872 mm)	18-9/16" (471 mm)	16-1/8" (410 mm)	24-1/16" (611 mm)
39" (991 mm)	40-11/16" (1033 mm)	21-13/16" (554 mm)	19-1/4" (491 mm)	27-3/8" (695 mm)

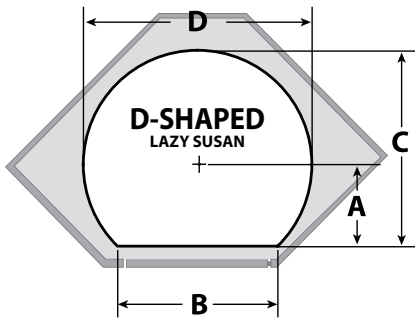


NOM Tray size	A	B	C	D
31" (787 mm)	32-13/16" (833 mm)	21-1/2" (546 mm)	15" (381 mm)	21-1/16" (535 mm)
33" (838 mm)	33-3/16" (843 mm)	18-9/16" (471 mm)	17-7/16" (443 mm)	24-1/16" (611 mm)
39" (991 mm)	39-7/8" (1013 mm)	21-13/16" (554 mm)	20-3/4" (527 mm)	27-3/8" (695 mm)



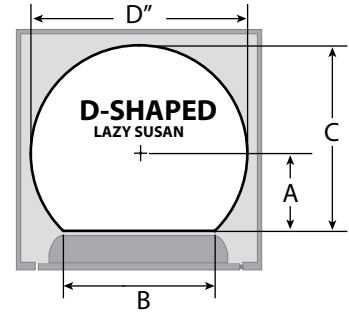
SPECIFICATIONS

POLYMER SHELVES



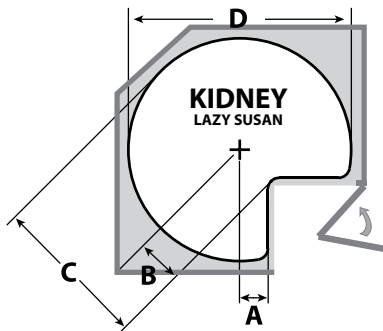
Shelf	Material	Series	A	B	C	D	Post System
20" D-Shaped	polymer	6200	8-7/8"	9-1/4"	19"	20-1/8"	1" IND.
22" D-Shaped	polymer	6200	7-3/16"	16-5/8"	18-3/16"	22"	1" IND.

IND. = Independent Rotating System



Shelf	Material	Series	A	B	C	D	Post System
20" D-Shaped	polymer	7000	8-7/8"	9-1/4"	18-7/8"	20"	3/4" DEP.

DEP. = Dependent Rotating System

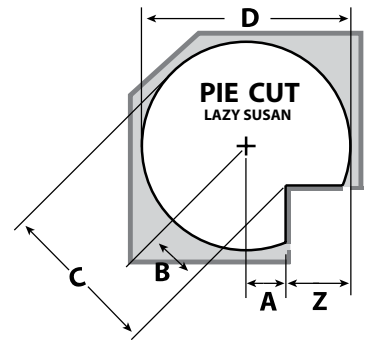


Shelf	Material	Series	A	B	C	D	Post System
18" Kidney	polymer	6471	1-3/4"	2-13/16"	11-13/16"	18"	1" IND.
24" Kidney	polymer	6471	1-1/2"	2-5/16"	14-5/16"	24"	1" IND.
28" Kidney	polymer	6471	3"	4-11/16"	18-5/8"	28"	1" IND.
32" Kidney	polymer	6471	4-1/4"	6-7/16"	22-7/16"	32"	1" IND.

IND. = Independent Rotating System

Shelf	Material	Series	A	B	C	D	Z	Post System
24" Pie Cut	polymer	6942	1-3/8"	1-15/16"	13-15/16"	24"	10-9/16" + 1/8" gap	1" DEP.
28" Pie Cut	polymer	6942	3"	4-1/4"	18-1/4"	28"	11" + 1/8" gap	1" DEP.

DEP. = Dependent Rotating System



For custom applications a trial installation is recommended.
Door edge profile, thickness, and gaps all factor in installation.

LIP SPECIFICATIONS

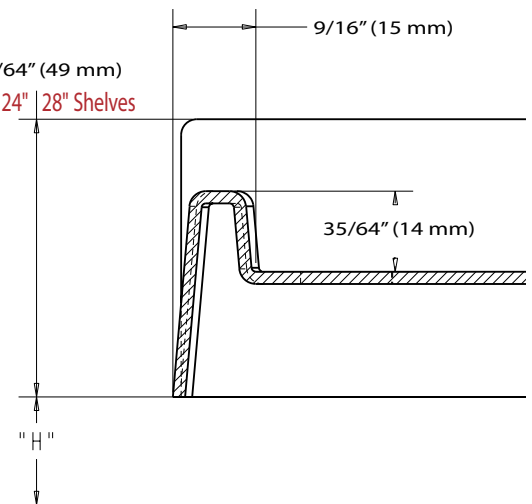
PIE CUT POLYMER SHELVES

Dimensions are for reference only, and may change based on hardware used, etc.

1-59/64" (49 mm)
24" | 28" Shelves

1" Shaft Pie-Cut	"H"
6942-24	1/4" (6 mm) *
6942-28	1/4" (6 mm) *

*6942-24 and 6942-28 can sit flush on top of the cabinet floor. 1/4" (6 mm) is recommended for clearance.



TOP OF CABINET FLOOR

REV-A-SHELF® LAZY SUSANS ARE TESTED TO EXCEED BHMA CLASS 1 SPECIFICATIONS

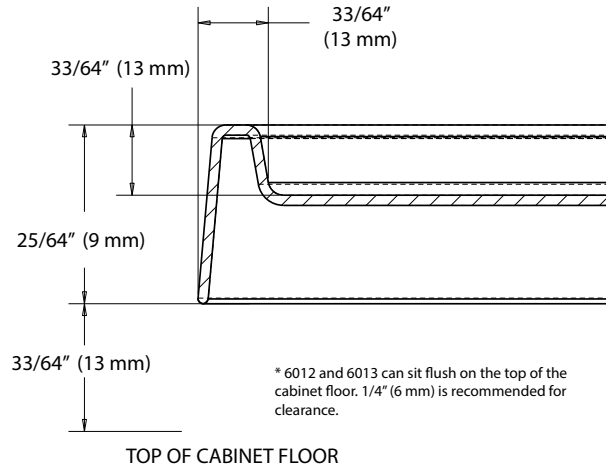


Dimensions are for reference only, and may change based on hardware used, etc.

WALL SHELVES

Full Circle	"H"
3072-18	5/16" (8 mm)
6621-16, 18 and 20	1-19/64" (33 mm)
6072-16, 18 and 20	1-19/64" (33 mm)
6073- 18 and 20	1-19/64" (33 mm)
6065- 16 and 18	2-9/32" (58 mm)
6012- 18 and 20	1/4" (6 mm) *
6013- 18 and 20	1/4" (6 mm) *

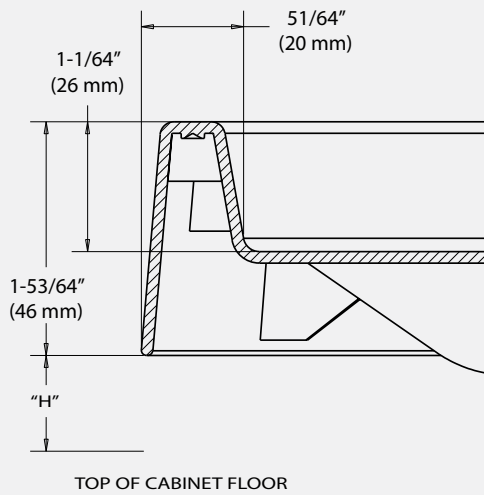
Kidney	33/64" (13 mm)
6421-18	1-19/64" (33 mm)
6472-18	1-19/64" (33 mm)



BASE SHELVES

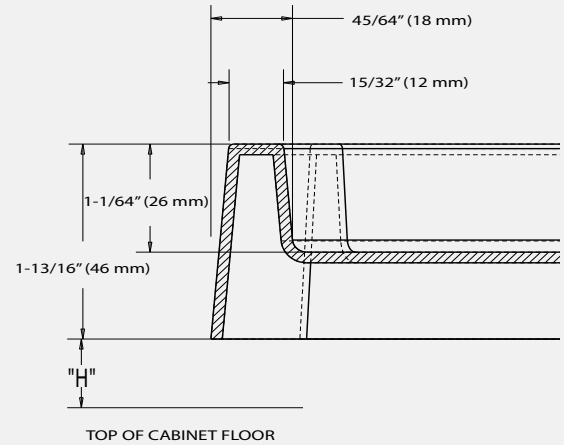
Full Circle	"H"
3072-24 and 28	1-3/64" (27 mm)
6621-24, 28 and 32	1-15/64" (31 mm)
6072-24, 28 and 32	1-15/64" (31 mm)

Kidney	"H"
3472-24, 28 and 32	1-3/64" (27 mm)
6421-24, 28 and 32	1-15/64" (31 mm)
6472-24, 28 and 32	1-15/64" (31 mm)



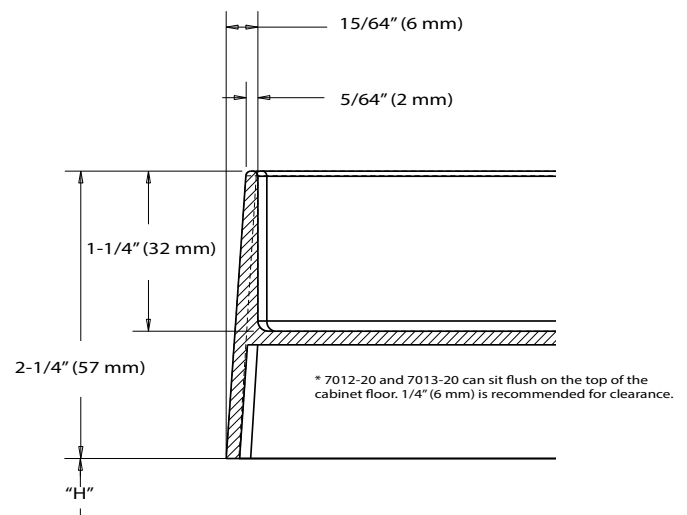
PANTRY SHELVES

22" D-Shape	"H"
6221-22	1-15/64" (31 mm)
6272-22	1-15/64" (31 mm)
6273-22	1-15/64" (31 mm)
6265-22	2-13/64" (56 mm)



WALL SHELVES

Independent Rotation	
20" D-Shape	"H"
6221- 20	1-1/2" (38 mm)
6272- 20	1-1/2" (38 mm)
6273- 20	1-1/2" (38 mm)
Dependent Rotation	
20" D-Shape	"H"
7012-20	1/4" (6 mm) *
7013-20	1/4" (6 mm) *



WOOD LAZY SUSANS

THE MOST COMPLETE LINE IN THE INDUSTRY!



BANDED WOOD

- Laminated Hardwood Rim
- Doweled (2) Butt Joint
- Almond Polymer Hubs
- Telescoping Post
- Steel Bearings

Good



WOOD CLASSIC

- Solid Rim
- Finger Joint
- Chrome Hubs
- Telescoping Post
- Aluminum Bearings

Better



NATURAL WOOD

- Steam Bent Rim
- Doweled (2) Butt Joint
- Chrome Hubs
- Telescoping Post
- Aluminum Bearings

Best



All wood products are TSCA Title VI compliant

Rev-A-Shelf's Lazy Susans are tested to exceed BHMA Class 1 Specs: 20 lbs. per square foot at 75K cycles 120°.



All of our lazy susans are manufactured using high quality materials and are backed by a limited Lifetime Warranty. We have developed a tiered category system that will allow you to quickly identify which configuration will give you the features you want, with the value you require.

Lazy Susan

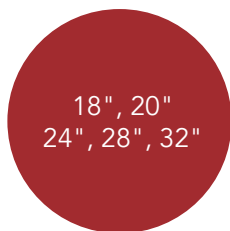
Banded Wood

- 2" Banded wood rim
- Doweled (2) butt joint
- 5/8" Thick maple shelf bottom
- Independently rotating
- Almond hardware
- Steel bearings
- TSCA Title VI compliant

For part number and pricing see page 362. See page 364 for specifications.

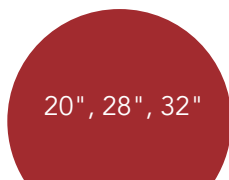


Tray Configurations



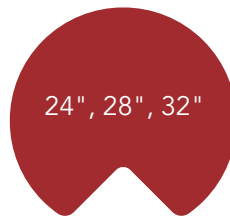
18", 20"
24", 28", 32"

Full Circle



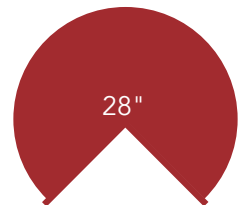
20", 28", 32"

D-Shaped



24", 28", 32"

Kidney Shaped



28"

Pie Cut

Hardware

	Banded	Wood Classic	Natural
Telescoping Post		•	•
Twist-n-Lock Post	•		
Bottom Mount	•	•	•
HD Bottom Mount		•	•
Steel Bearing	•		
Aluminum Bearing		•	•

Shelf Support

Metal/Die Components		•	•
Polymer Components	•		

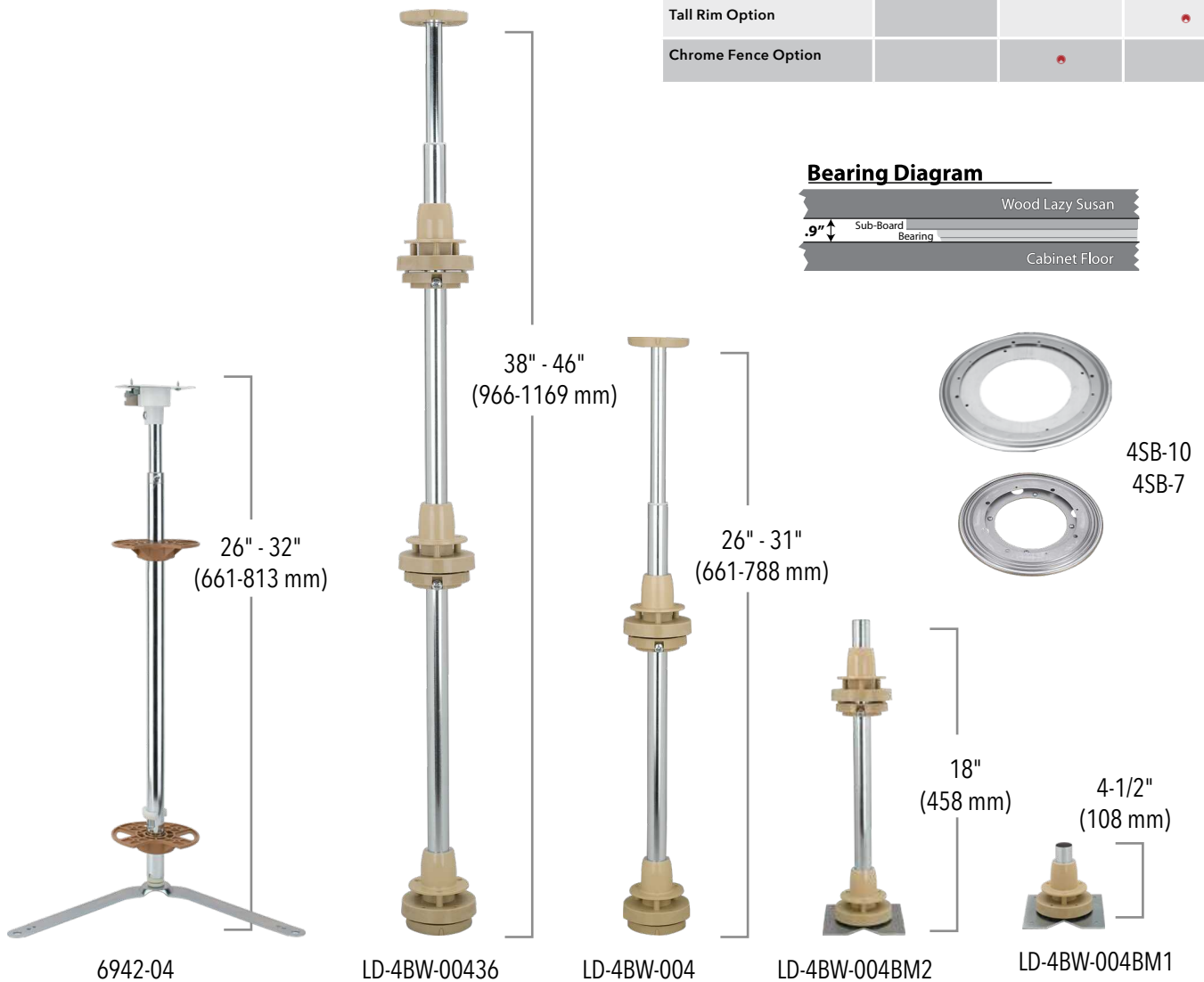
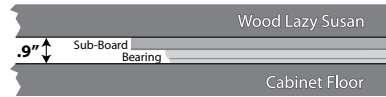
Hub

Polymer Hub	•		
Chrome Hub		•	•

Tray Rim

Doweled Butt Joint Rim	•		•
Finger Joint Rim		•	
Tall Rim Option			•
Chrome Fence Option		•	

Bearing Diagram



FULL CIRCLE SHELF



Banded Wood Lazy Daisy w/ Steel Bearing

PRODUCT	DESCRIPTION	DIMS	FINISH	SLP
LD-4BW-001-18SB-1	Single Shelf w/ 7" Steel Bearing	18" (457 mm) Diameter	Maple	\$72.05
LD-4BW-001-20SB-1	Single Shelf w/ 7" Steel Bearing	20" (508 mm) Diameter	Maple	\$74.25
LD-4BW-001-24SB-1	Single Shelf w/ 10" Steel Bearing	24" (610 mm) Diameter	Maple	\$97.75
LD-4BW-001-28SB-1	Single Shelf w/ 10" Steel Bearing	28" (711 mm) Diameter	Maple	\$110.20
LD-4BW-001-32SB-1	Single Shelf w/ 10" Steel Bearing	32" (813 mm) Diameter	Maple	\$132.80

(2) Shelf Banded Wood Lazy Daisy w/ 26"-31" (660-788 mm) Telescoping Post

PRODUCT	DESCRIPTION	DIMS	FINISH	SLP
LD-4BW-062-18-1	(2) Shelf Set	18" (457 mm) Diameter	Maple	\$158.65
LD-4BW-062-20-1	(2) Shelf Set	20" (508 mm) Diameter	Maple	\$163.25
LD-4BW-062-24-1	(2) Shelf Set	24" (610 mm) Diameter	Maple	\$194.30
LD-4BW-062-28-1	(2) Shelf Set	28" (711 mm) Diameter	Maple	\$221.00
LD-4BW-062-32-1	(2) Shelf Set	32" (813 mm) Diameter	Maple	\$264.65

(3) Shelf Banded Wood Lazy Daisy w/ 38"-46" (965-1169 mm) Telescoping Post

PRODUCT	DESCRIPTION	DIMS	FINISH	SLP
LD-4BW-063-1836-1	(3) Shelf Set	18" (457 mm) Diameter	Maple	\$249.85
LD-4BW-063-2036-1	(3) Shelf Set	20" (508 mm) Diameter	Maple	\$256.20

*Note: Non-drilled trays without bearings are available, remove "SB" from product number.

FULL CIRCLE SHELF BULK



Banded Wood Lazy Daisy w/ Steel Bearing

PRODUCT	DESCRIPTION	DIMS	FINISH	SLP
LD-4BW-001-18SB-8	(8) Single Shelves w/ 7" Steel Bearing	18" (457 mm) Diameter	Maple	\$ 72.20 ea.
LD-4BW-001-20SB-8	(8) Single Shelves w/ 7" Steel Bearing	20" (508 mm) Diameter	Maple	\$72.80 ea.
LD-4BW-001-24SB-8	(8) Single Shelves w/ 10" Steel Bearing	24" (610 mm) Diameter	Maple	\$92.50 ea.
LD-4BW-001-28SB-8	(8) Single Shelves w/ 10" Steel Bearing	28" (711 mm) Diameter	Maple	\$105.40 ea.
LD-4BW-001-32SB-8	(8) Single Shelves w/ 10" Steel Bearing	32" (813 mm) Diameter	Maple	\$120.50 ea.

FULL CIRCLE SHELF/HARDWARE BULK



Drilled Banded Wood Lazy Daisy - No Hardware

PRODUCT	DESCRIPTION	DIMS	FINISH	SLP
LD-4BW-041-18-8	(8) Shelves	18" (457 mm) Diameter	Maple	\$57.30 ea.
LD-4BW-041-20-8	(8) Shelves	20" (508 mm) Diameter	Maple	\$59.15 ea.
LD-4BW-041-24-8	(8) Shelves	24" (610 mm) Diameter	Maple	\$71.35 ea.
LD-4BW-041-28-8	(8) Shelves	28" (711 mm) Diameter	Maple	\$85.40 ea.
LD-4BW-041-32-8	(8) Shelves	32" (813 mm) Diameter	Maple	\$103.40 ea.

Hardware

PRODUCT	DESCRIPTION	DIMS	FINISH	SLP
LD-4BW-004-10	(10) 26"-31" (660 mm -787 mm) Telescoping Posts		Zinc/Almond	\$32.40 ea.
LD-4BW-00436-4	(4) 38"-46" (965 mm -1168 mm) Telescoping Posts		Zinc/Almond	\$54.20 ea.
LD-4BW-004-4	(4) 26"-31" Telescoping Posts		Zinc/Almond	\$35.15 ea.
LD-4BW-004BM1-8	Single Bottom Mount		Zinc/Almond	\$20.55 ea.
LD-4BW-004BM2-4	Double Bottom Mount		Zinc/Almond	\$26.80 ea.

PIE CUT SHELF AND BULK



(Attaches to the cabinet door)

(2) Shelf Banded Wood Lazy Daisy w/ Hardware

PRODUCT	DESCRIPTION	DIMS	FINISH	SLP
LD-4BW-942-28-1	(2) Shelf Set	28" (711 mm) Diameter	Maple	\$262.45

Drilled Banded Wood Lazy Daisy - No Hardware

PRODUCT	DESCRIPTION	DIMS	FINISH	SLP
LD-4BW-941-28-8	(8) Single Shelves	28" (711 mm) Diameter	Maple	\$98.30 ea.

Lazy Daisy Banded Wood Pie Cut Hardware

PRODUCT	DESCRIPTION	DIMS	FINISH	SLP
6940-04-28P-4	(6) 26"-32" (660- 813 mm) Telescoping Posts		Maple	\$66.00 ea.

D-SHAPE SHELF



Banded Wood Lazy Daisy w/ Steel Bearing

PRODUCT	DESCRIPTION	DIMS	FINISH	SLP
LD-4BW-201-20SBS-1	Single Shelf w/ 7" Steel Bearing	20" (508 mm) Diameter	Maple	\$79.00
LD-4BW-201-28SBS-1	Single Shelf w/ 7" Steel Bearing	28" (711 mm) Diameter	Maple	\$111.20
LD-4BW-201-32SBS-1	Single Shelf w/ 10" Steel Bearing	32" (813 mm) Diameter	Maple	\$130.35

(2) Shelf Banded Wood Lazy Daisy w/ 26"-31" (660-788 mm) Telescoping Post

LD-4BW-262-20-1	(2) Shelf Set	20" (508 mm) Diameter	Maple	\$163.00
LD-4BW-262-28-1	(2) Shelf Set	28" (711 mm) Diameter	Maple	\$219.55
LD-4BW-262-32-1	(2) Shelf Set	32" (813 mm) Diameter	Maple	\$265.35

(3) Shelf Banded Wood Lazy Daisy w/ 38"-46" (965-1169 mm) Telescoping Post

LD-4BW-263-2036-1	(3) Shelf Set	20" (508 mm) Diameter	Maple	\$255.65
-------------------	---------------	-----------------------	-------	----------

*Note: Non-drilled trays without bearings are available, remove "SBS" from product number.

D-SHAPED SHELF BULK



Banded Wood Lazy Daisy w/ Steel Bearing

PRODUCT	DESCRIPTION	DIMS	FINISH	SLP
LD-4BW-201-20SBS-8	(8) Single Shelves w/ 7" Steel Bearing	20" (508 mm) Diameter	Maple	\$73.20 ea.
LD-4BW-201-28SBS-8	(8) Single Shelves w/ 7" Steel Bearing	28" (711 mm) Diameter	Maple	\$103.70 ea.
LD-4BW-201-32SBS-8	(8) Single Shelves w/ 10" Steel Bearing	32" (813 mm) Diameter	Maple	\$120.65 ea.

*Note: Non-drilled trays without bearings are available, remove "SBS" from product number.

D-SHAPED SHELF/HARDWARE BULK



Drilled Banded Wood Lazy Daisy - No Hardware

PRODUCT	DESCRIPTION	DIMS	FINISH	SLP
LD-4BW-241-20-8	(8) Single Shelves	20" (508 mm) Diameter	Maple	\$57.85 ea.
LD-4BW-241-28-8	(8) Single Shelves	28" (711 mm) Diameter	Maple	\$81.05 ea.
LD-4BW-241-32-8	(8) Single Shelves	32" (813 mm) Diameter	Maple	\$101.35 ea.

Hardware

LD-4BW-204-4	(4) 26"-31" (660 mm -787 mm) Telescoping Posts		Maple	\$31.65 ea.
LD-4BW-20436-4	(4) 38"-46" (965 mm -1168 mm) Telescoping Posts		Maple	\$53.10 ea.
LD-4BW-204BM1-8	(8) Bottom Mounts		Maple	\$23.15 ea.
LD-4BW-204BM2-4	(4) Double Bottom Mounts		Maple	\$29.25 ea.

KIDNEY SHAPED SHELF



(Hinged door; Not attached)

Banded Wood Lazy Daisy w/ Steel Bearing and Stop

PRODUCT	DESCRIPTION	DIMS	FINISH	SLP
LD-4BW-401-28SBS-1	Single Shelf w/ 7" Steel Bearing	28" (711 mm) Diameter	Maple	\$110.95
LD-4BW-401-32SBS-1	Single Shelf w/ 10" Steel Bearing	32" (813 mm) Diameter	Maple	\$133.10

(2) Shelf Banded Wood Lazy Daisy w/ 26"-31" (660-788 mm) Telescoping Post

LD-4BW-472-24-1	(2) Shelf Set	24" (610 mm) Diameter	Maple	\$194.15
LD-4BW-472-28-1	(2) Shelf Set	28" (711 mm) Diameter	Maple	\$221.00
LD-4BW-472-32-1	(2) Shelf Set	32" (813 mm) Diameter	Maple	\$265.80

*Note: Non-drilled trays without bearings are available, remove "SBS" from product number.

KIDNEY SHAPE SHELF BULK



(Hinged door; Not attached)

Banded Wood Lazy Daisy w/ Steel Bearing and Stop

PRODUCT	DESCRIPTION	DIMS	FINISH	SLP
LD-4BW-401-28SBS-8	(8) Single Shelves w/ 10" Steel Bearing	28" (711 mm) Diameter	Maple	\$101.80 ea.
LD-4BW-401-32SBS-8	(8) Single Shelves w/ 10" Steel Bearing	32" (813 mm) Diameter	Maple	\$113.95 ea.

Drilled Banded Wood Lazy Daisy - No Hardware

LD-4BW-441-24-8	(8) Single Shelves	24" (610 mm) Diameter	Maple	\$73.35 ea.
LD-4BW-441-28-8	(8) Single Shelves	28" (711 mm) Diameter	Maple	\$83.25 ea.
LD-4BW-441-32-8	(8) Single Shelves	32" (813 mm) Diameter	Maple	\$100.50 ea.

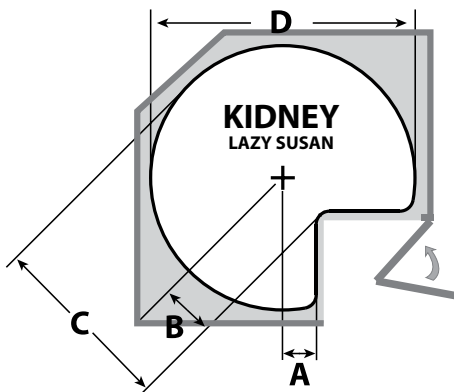
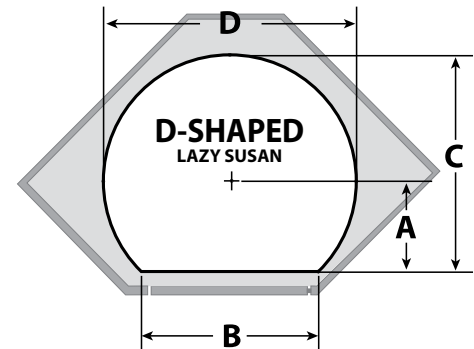
*Note: Non-drilled trays without bearings are available, remove "SBS" from product number.

SPECIFICATIONS

BANDED WOOD SHELVES

Shelf	Material	Series	A	B	C	D	Post System
20" D-Shape	Maple	LD-4BW	8-7/8"	6-7/8"	18-1/2"	19-1/2"	1" IND
28" D-Shape	Maple	LD-4BW	11-5/8"	13-1/4"	25-1/2"	27-3/4"	1" IND
32" D-Shape	Maple	LD-4BW	13-7/8"	13-7/8"	29-3/4"	31-3/4"	1" IND

IND. = Independent Rotating System



Shelf	Material	Series	A	B	C	D	Post System
24" Kidney	Maple	LD-4BW	1-1/2"	2-3/8"	14-3/8"	24"	1" IND.
28" Kidney	Maple	LD-4BW	2-7/8"	4-3/8"	18-1/4"	27-3/4"	1" IND.
32" Kidney	Maple	LD-4BW	4"	6"	21-7/8"	31-3/4"	1" IND.

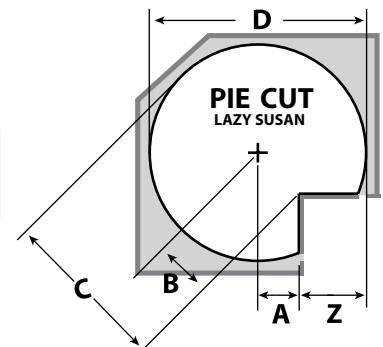
IND. = Independent Rotating System

Shelf	Material	Series	A	B	C	D	Z	Post System
28" Pie Cut	Maple	LD-4BW	3"	4-1/4"	18-1/8"	27-3/4"	10-7/8" + 1/8" gap	1" DEP

DEP. = Dependent Rotating System

For custom applications a trial installation is recommended.
Door edge profile, thickness, and gaps all factor in installation.

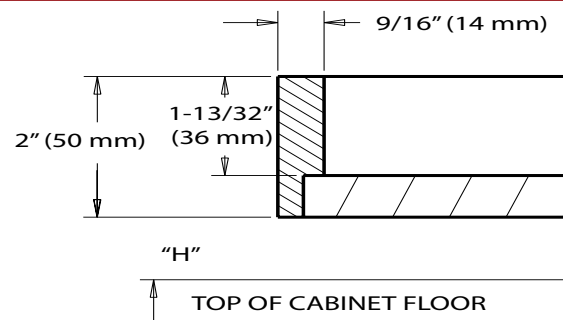
(Attaches to the cabinet door)



LIP SPECIFICATIONS

BANDED WOOD SHELVES

Hardware	Tray Shape	"H"
Steel Bearing	FC, Kidney and D-Shaped	7/8" (23 mm)
Telescopic Post	Full Circle	1-13/32" (36 mm)
Telescopic Post	Kidney and D-Shaped	1-11/64" (30 mm)
Telescopic Post	Pie Cut	1-57/64" (48 mm)



▶▶▶ Lazy Susan Light Kit



Everything you need to light up your corner or base cabinet in one easy kit!

- 23" Angled Elli[®] LED Linear Light
- Door Sensor
- Plug-In Power Supply
 - 6W
 - Includes Easy Snap Block
- Wire Management Clips

Lazy Susan Lighting Kit

Part #	Description	Suggested List
L-LED-LSKA1-1	Lazy Susan Light Kit	\$186.50

Lazy Susan

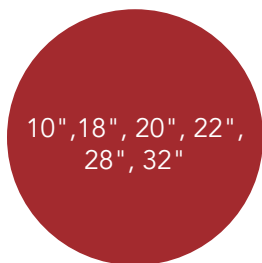
Wood Classic

- 1-5/8" Solid wood frame
- Finger joint
- 5/8" thick natural maple shelf bottom
- Chrome hardware
- Aluminum bearings
- TSCA Title VI compliant

For part number and pricing see page 378. See page 381 for specifications.



Tray Configurations



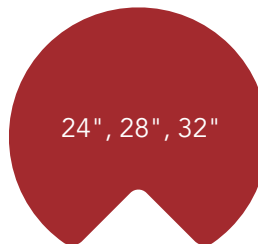
10", 18", 20", 22",
28", 32"

Full Circle



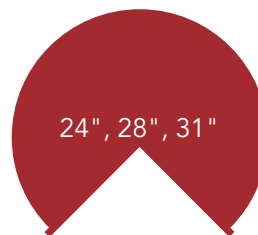
20", 22", 31"

D-Shaped



24", 28", 32"

Kidney Shaped



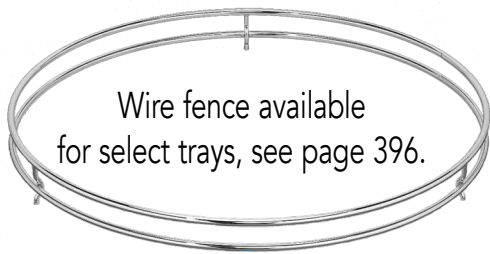
24", 28", 31"

Pie Cut



32", 35", 38"

Half Moon



Wire fence available for select trays, see page 396.



4B



4BS-7-8



4HDBM2-04

14-7/8"
(378 mm)



17-7/8"
(454 mm)

4BM1-18

4BM1-04



4-11/16"
(119 mm)



26" - 32"
(661-813 mm)

6942-04-28



56" - 62"
(1423-1575 mm)

6265-04-52



38" - 46"
(965-1169 mm)

4WLS273-20-536



38" - 46"
(965-1169 mm)

4WLS6073-04-436



26" - 32"
(660-813 mm)

4WLS6272-04



26" - 32"
(660-813 mm)

4WLS6072-04

Hardware

	Banded	Wood Classic	Natural
Telescoping Post		•	•
Twist-n-Lock Post	•		
Bottom Mount	•	•	•
HD Bottom Mount		•	•
Steel Bearing	•		
Aluminum Bearing		•	•

Shelf Support

	Banded	Wood Classic	Natural
Metal/Die Components		•	•
Polymer Components	•		

Hub

	Banded	Wood Classic	Natural
Polymer Hub	•		
Chrome Hub		•	•

Tray Rim

	Banded	Wood Classic	Natural
Doweled Butt Joint Rim	•		•
Finger Joint Rim		•	
Tall Rim Option			•
Chrome Fence Option		•	

Bearing Diagram



FULL CIRCLE SHELF



Wood Classic Lazy Susan - No Hardware

PRODUCT	DESCRIPTION	DIMS	FINISH	SLP
4WLS001-18-52	Single Shelf	18" (457 mm) Diameter	Wood	\$87.85
4WLS001-20-52	Single Shelf	20" (508 mm) Diameter	Wood	\$100.20
4WLS001-28-52	Single Shelf	28" (711 mm) Diameter	Wood	\$142.80
4WLS001-32-52	Single Shelf	32" (813 mm) Diameter	Wood	\$160.95

Wood Classic Lazy Susan w/ Aluminum Bearing

4WLS001-10-B52	Single Shelf w/ 7" Aluminum Bearing	10" (254 mm) Diameter	Wood	\$89.75
4WLS001-18-B52	Single Shelf w/ 7" Aluminum Bearing	18" (457 mm) Diameter	Wood	\$100.05
4WLS001-20-B52	Single Shelf w/ 7" Aluminum Bearing	20" (508 mm) Diameter	Wood	\$112.50
4WLS001-28-B52	Single Shelf w/ 10" Aluminum Bearing	28" (711 mm) Diameter	Wood	\$153.40
4WLS001-32-B52	Single Shelf w/ 10" Aluminum Bearing	32" (813 mm) Diameter	Wood	\$168.20

(2) Shelf Wood Classic Lazy Susan w/ 26"-32" (660-813 mm) Telescoping Post

4WLS072-18-52	(2) Shelf Set	18" (457 mm) Diameter	Wood	\$226.35
4WLS072-20-52	(2) Shelf Set	20" (508 mm) Diameter	Wood	\$252.15
4WLS072-22-52	(2) Shelf Set	22" (559 mm) Diameter	Wood	\$288.55
4WLS072-28-52	(2) Shelf Set	28" (711 mm) Diameter	Wood	\$335.70
4WLS072-32-52	(2) Shelf Set	32" (813 mm) Diameter	Wood	\$382.20

(3) Shelf Wood Classic Lazy Susan w/ 38"-46" (965-1169 mm) Telescoping Post

4WLS073-18-536	(3) Shelf Set	18" (457 mm) Diameter	Wood	\$312.20
4WLS073-20-536	(3) Shelf Set	20" (508 mm) Diameter	Wood	\$318.55

NOTE: 4WLS073-536 denotes telescoping post 9-1/4" (235 mm) upper & 36" (915 mm) lower assembly for 38"-46" (889-1092 mm) inner cabinet height wall cabinets, (3) shelves, top & bottom pivots & fasteners. Positioning base without wheels 6260-77-2 mounts on base of cabinet.

FULL CIRCLE SHELF BULK



Wood Classic Lazy Susan -Must purchase steel bearing to attach to cabinet

PRODUCT	DESCRIPTION	DIMS	FINISH	SLP
4WLS001-18-8	(8) Single Shelves	18" (457 mm) Diameter	Wood	\$62.80 ea.
4WLS001-20-8	(8) Single Shelves	20" (508 mm) Diameter	Wood	\$75.10 ea.
4WLS001-22-8	(8) Single Shelves	22" (508 mm) Diameter	Wood	\$116.15 ea.
4WLS001-28-8	(8) Single Shelves	28" (712 mm) Diameter	Wood	\$116.00 ea.
4WLS001-32-8	(8) Single Shelves	32" (813 mm) Diameter	Wood	\$128.90 ea.

Hardware

4B-7-8	(8) 7" Aluminum Bearing		Aluminum	\$28.55 ea.
4B-10-8	(8) 10" Aluminum Bearing		Aluminum	\$32.35 ea.

Drilled Wood Classic Lazy Susan -Must purchase telescoping hardware to attach to cabinet

4WLS041-18-8	(8) Single Shelves	18" (457 mm) Diameter	Wood	\$66.25 ea.
4WLS041-20-8	(8) Single Shelves	20" (508 mm) Diameter	Wood	\$78.60 ea.
4WLS041-28-8	(8) Single Shelves	28" (712 mm) Diameter	Wood	\$119.65 ea.
4WLS041-32-8	(8) Single Shelves	32" (813 mm) Diameter	Wood	\$132.80 ea.

Hardware

4WLS6072-04-4	(4) 26"-32" (661-813 mm) Telescoping Posts		Chrome	\$61.05 ea.
4WLS6073-04-436	(4) 38"-46" (965-1169 mm) Telescoping Posts		Chrome	\$93.80 ea.

D-SHAPED SHELF



Wood Classic Lazy Susan - No Hardware

PRODUCT	DESCRIPTION	DIMS	FINISH	SLP
4WLS201-20-52	Single Shelf	20" (508 mm) Diameter	Wood	\$108.30
4WLS201-31-52	Single Shelf	31" (787 mm) Diameter	Wood	\$165.15

Wood Classic Lazy Susan w/ Aluminum Bearing

4WLS201-20-BS52	Single Shelf w/ 7" Aluminum Bearing	20" (508 mm) Diameter	Wood	\$130.35
4WLS201-22-BS52	Single Shelf w/ 7" Aluminum Bearing	22" (559 mm) Diameter	Wood	\$140.20
4WLS201-31-BS52	Single Shelf w/ 10" Aluminum Bearing	31" (787 mm) Diameter	Wood	\$190.10

(2) Shelf Wood Classic Lazy Susan w/ 26"-32" (660-813 mm) Telescoping Post

4WLS272-20-52	(2) Shelf Set	20" (508 mm) Diameter	Wood	\$279.55
4WLS272-22-52	(2) Shelf Set	22" (559 mm) Diameter	Wood	\$287.70
4WLS272-31-52	(2) Shelf Set	31" (787 mm) Diameter	Wood	\$408.20

(3) Shelf Wood Classic Lazy Susan w/ 38"-46" (965-1169 mm) Telescoping Post

4WLS273-20-536	(3) Shelf Set	20" (508 mm) Diameter	Wood	\$329.00
----------------	---------------	-----------------------	------	----------

D-SHAPED SHELF BULK



Wood Classic Lazy Susan - *Must purchase steel bearing to attach to cabinet*

PRODUCT	DESCRIPTION	DIMS	FINISH	SLP
4WLS201-20-8	(8) Single Shelves	20" (508 mm) Diameter	Wood	\$83.25 ea
4WLS201-31-8	(8) Single Shelves	31" (787 mm) Diameter	Wood	\$133.25 ea

Hardware

4BS-7-8	(8) 7" Aluminum Bearing w/ Stop		Aluminum	\$32.85 ea.
4BS-10-8	(8) 10" Aluminum Bearing w/ Stop		Aluminum	\$39.60 ea.

Wood Classic Lazy Susan w/ Aluminum Bearing and Stop

4WLS201-20-BS8	(8) Single Shelves w/ 7" Aluminum Bearing	20" (508 mm) Diameter	Wood	\$116.15 ea.
4WLS201-22-BS8	(8) Single Shelves w/ 7" Aluminum Bearing	22" (559 mm) Diameter	Wood	\$136.75 ea.
4WLS201-31-BS8	(8) Single Shelves w/ 10" Aluminum Bearing	31" (787 mm) Diameter	Wood	\$175.30 ea.

Drilled Wood Classic Lazy Susan - *Must purchase telescoping hardware to attach to cabinet*

4WLS241-20-8	(8) Single Shelves	20" (508 mm) Diameter	Wood	\$87.00 ea.
4WLS241-31-8	(8) Single Shelves	22" (559 mm) Diameter	Wood	\$137.30 ea.

Hardware

4WLS6072-04-4	(4) 26"-32" (661-813 mm) Telescoping Posts		Chrome	\$61.05 ea.
4WLS6073-04-436	(4) 38"-46" (965-1169 mm) Telescoping Posts		Chrome	\$93.80 ea.

KIDNEY SHAPED SHELF



(Hinged door; Not attached)

Wood Classic Lazy Susan - No Hardware

PRODUCT	DESCRIPTION	DIMS	FINISH	SLP
4WLS401-24-52	Single Shelf	24" (610 mm) Diameter	Wood	\$132.65
4WLS401-28-52	Single Shelf	28" (711 mm) Diameter	Wood	\$137.60
4WLS401-32-52	Single Shelf	32" (813 mm) Diameter	Wood	\$160.80

Wood Classic Lazy Susan w/ Aluminum Bearing

4WLS401-28-BS52	Single Shelf w/ 7" Aluminum Bearing	28" (711 mm) Diameter	Wood	\$172.70
4WLS401-32-BS52	Single Shelf w/ 10" Aluminum Bearing	32" (813 mm) Diameter	Wood	\$180.25

(2) Shelf Wood Classic Lazy Susan w/ 26"-32" (660-813 mm) Telescoping Post

4WLS472-24-52	(2) Shelf Set	24" (610 mm) Diameter	Wood	\$298.10
4WLS472-28-52	(2) Shelf Set	28" (711 mm) Diameter	Wood	\$324.35
4WLS472-32-52	(2) Shelf Set	32" (813 mm) Diameter	Wood	\$383.10

NOTE: Positioning base with wheels 6260-95-2 mounts on base of cabinet. 24" Kidney is too small for swivel bearing w/stop hardware, therefore you must use post & pivot hardware. Bulk shelves (4WLS041) and hardware sold separately. Telescoping post assembly accommodates 26"-32" (660-813 mm) inner cabinet height, 1" (26 mm) diameter post system.

KIDNEY SHAPED SHELF BULK



(Hinged door; Not attached)

Wood Classic Lazy Susan - Must purchase steel bearing to attach to cabinet

PRODUCT	DESCRIPTION	DIMS	FINISH	SLP
4WLS401-24-8	(8) Single Shelves	24" (610 mm) Diameter	Wood	\$100.50 ea.
4WLS401-28-8	(8) Single Shelves	28" (711 mm) Diameter	Wood	\$115.85 ea.
4WLS401-32-8	(8) Single Shelves	32" (813 mm) Diameter	Wood	\$129.20 ea.

Hardware

4BS-7-8	(8) 7" Aluminum Bearing w/ Stop		Aluminum	\$34.65 ea.
4BS-10-8	(8) 10" Aluminum Bearing w/ Stop		Aluminum	\$41.60 ea.

Drilled Wood Classic Lazy Susan - Must purchase telescoping hardware to attach to cabinet

4WLS441-24-8	(8) Single Shelves	24" (610 mm) Diameter	Wood	\$104.10 ea.
4WLS441-28-8	(8) Single Shelves	28" (711 mm) Diameter	Wood	\$119.65 ea.
4WLS441-32-8	(8) Single Shelves	32" (813 mm) Diameter	Wood	\$133.25 ea.

Hardware

4WLS6272-04-4	(4) 26"-32" (661-813 mm) Telescoping Posts		Chrome	\$64.95 ea.
4HDBM2-04-52	15" Heavy-Duty Two Tray Bottom Mount Post		Almond	\$64.25

HALF MOON SHELVES



Wood Classic Half Moon Lazy Susans

PRODUCT	DESCRIPTION	DIMS	MCO	CAB	FINISH	SLP
4WLS882-32-570	Double Shelf with Pivot and Slide	32" (813 mm) Diameter	12" (305 mm) - FF 13-1/4" (337 mm) - FL	BC42	Maple	\$392.65
4WLS882-35-570	Double Shelf with Pivot and Slide	35" (889 mm) Diameter	15" (381 mm) - FF 16-1/4" (413 mm) - FL	BC45	Maple	\$451.25
4WLS882-38-570	Double Shelf with Pivot and Slide	38" (965 mm) Diameter	18" (457 mm) - FF 19-1/4" (489 mm) - FL	BC48	Maple	\$517.95

NOTE: 35" is a half-back not a half moon

PIE CUT SHELVES



(Attaches to the cabinet door)

Wood Classic Lazy Susan - No Hardware

PRODUCT	DESCRIPTION	DIMS	FINISH	SLP
4WLS901-24-52	Single Shelf Drilled	24" (610 mm) Diameter	Wood	\$137.15
4WLS901-28-52	Single Shelf Drilled	28" (711 mm) Diameter	Wood	\$142.40
4WLS901-31-52	Single Shelf Drilled	31" (788 mm) Diameter	Wood	\$162.70

(2) Shelf Wood Classic Lazy Susan w/ 26"-32" (660-813 mm) Telescoping Post

PRODUCT	DESCRIPTION	DIMS	FINISH	SLP
4WLS942-2433-52	(2) Shelf Set for 33" Corner	24" (607 mm) Diameter	Wood	\$325.95
4WLS942-24P-52	(2) Shelf Set	24" (607 mm) Diameter	Wood	\$303.50
4WLS942-28P-52	(2) Shelf Set	28" (711 mm) Diameter	Wood	\$330.00
4WLS942-31P-52	(2) Shelf Set	31" (788 mm) Diameter	Maple	\$382.95

NOTES: Upper shelf is adjustable, lower shelf is in fixed position and post can not be altered (adjustment mechanism).

PIE CUT SHELVES BULK



(Attaches to the cabinet door)

Wood Classic Lazy Susan - No Hardware

PRODUCT	DESCRIPTION	DIMS	FINISH	SLP
4WLS901-2433-8	(8) - (2) Shelf Set for 33" Corner	24" (610 mm) Diameter	Wood	\$142.40 ea.
4WLS901-24-8	(8) - (2) Shelf Set	24" (610 mm) Diameter	Wood	\$104.70 ea.
4WLS901-28-8	(8) - (2) Shelf Set	28" (711 mm) Diameter	Wood	\$120.50 ea.
4WLS901-31-8	(8) - (2) Shelf Set	31" (788 mm) Diameter	Maple	\$142.55 ea.

PIE CUT HARDWARE BULK



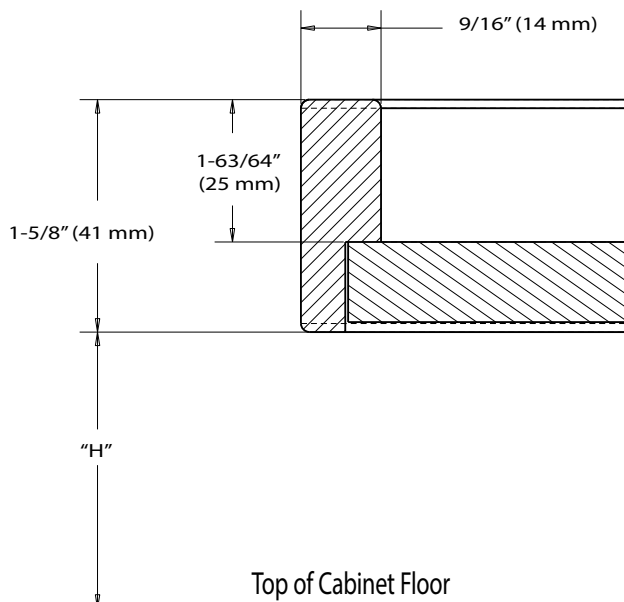
(Attaches to the cabinet door)

Hardware

PRODUCT	DESCRIPTION	DIMS	FINISH	SLP
4WLS940-04P-24-4	(4) 26"-32" (660-813 mm) Telescoping Posts		Chrome	\$57.00 ea.
4WLS940-04P-28-4	(4) 26"-32" (660-813 mm) Telescoping Posts		Chrome	\$57.00 ea.
4WLS940-04P-31-4	(4) 26"-32" (660-813 mm) Telescoping Posts		Chrome	\$62.20 ea.

LIP SPECIFICATIONS

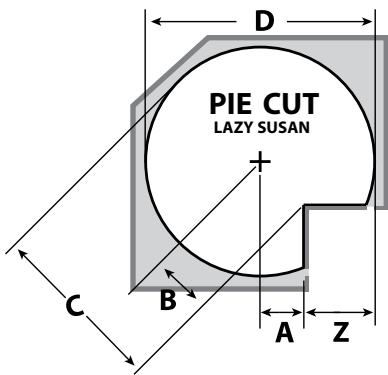
WOOD CLASSIC SHELVES



Wood LS	
Full Circle	"H"
4WLS001	3/4" (19 mm)
4WLS072	1-19/64" (33 mm)
4WLS073	1-19/64" (33 mm)
D-SHAPE	"H"
4WLS221	1-19/64" (33 mm)
4WLS201	3/4" (19 mm)
4WLS272	1-19/64" (33 mm)
4WLS273	1-19/64" (33 mm)
Pie-Cut	"H"
4WLS942	1-29/64" (37 mm)
Kidney	"H"
4WLS401	3/4" (19 mm)
4WLS472	1-19/64" (33 mm)
Half Moon	"H"
4WLS882	2-33/64" (64 mm)

Dimensions are for reference only, and may change based on hardware used, etc.

(Attaches to the cabinet door)



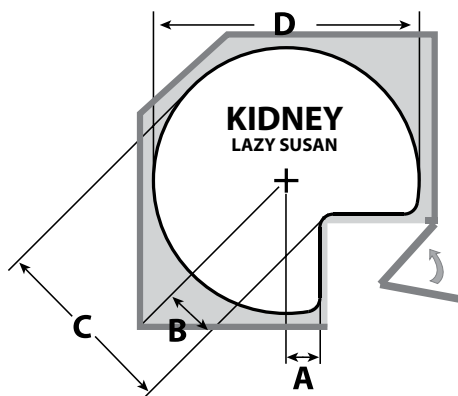
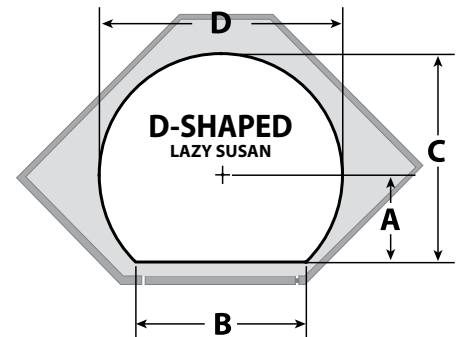
Shelf	Material	Series	A	B	C	D	Z	Post System
2433 Pie Cut	Wood	4WLS	4-9/16"	6-7/16"	18-7/16"	24"	7-7/16" + 1/8" gap	1" DEP.
24" Pie Cut	Wood	4WLS	1-3/8"	1-15/16"	13-15/16"	24"	10-9/16" + 1/8" gap	1" DEP.
28" Pie Cut	Wood	4WLS	3"	4-1/4"	18-1/8"	28"	10-7/8" + 1/8" gap	1" DEP.
31" Pie Cut	Wood	4WLS	5-1/16"	7-1/8"	22-7/16"	31"	10-5/16" + 1/8" gap	1" DEP.

DEP. = Dependent Rotating System

For custom applications, a trial installation is recommended. Door edge profile, thickness, and gaps all factor in installation.

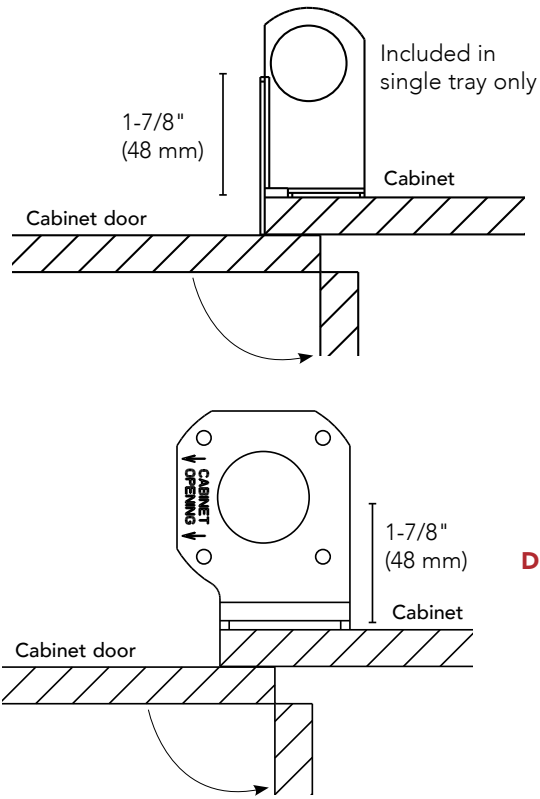
Shelf	Material	Series	A	B	C	D	Post System
20" D-Shaped	Wood	4WLS	8-3/8"	10-5/8"	18-3/8"	20"	1" IND.
22" D-Shaped	Wood	4WLS	7-3/16"	16-5/8"	18-3/16"	22"	1" IND.
31" D-Shaped	Wood	4WLS	14"	13"	29-3/8"	31"	1" IND.

IND. = Independent Rotating System

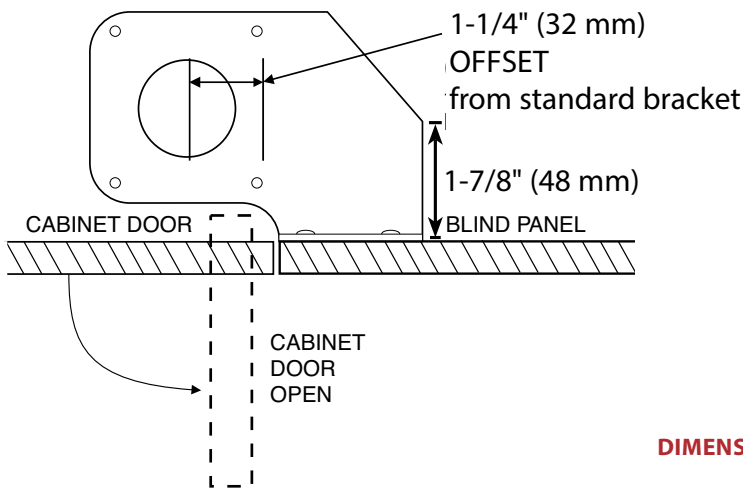


Shelf	Material	Series	A	B	C	D	Post System
24" Kidney	Wood	4WLS	1-7/16"	2-3/8"	14-3/8"	23-15/16"	1" IND.
28" Kidney	Wood	4WLS	2-7/8"	4-3/8"	18-1/4"	27-3/4"	1" IND.
32" Kidney	Wood	4WLS	4-1/16"	6"	21-15/16"	31-3/4"	1" IND.

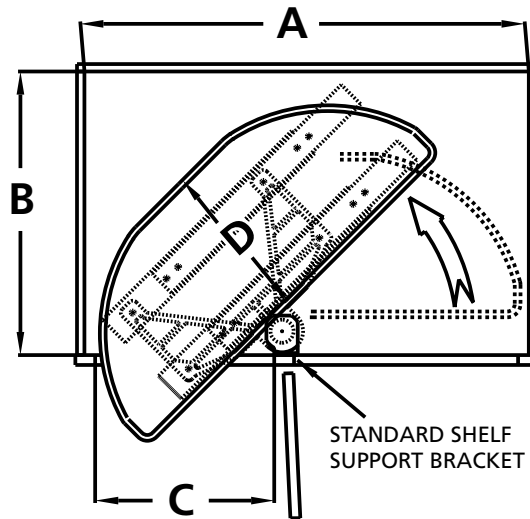
IND. = Independent Rotating System



Standard Bracket



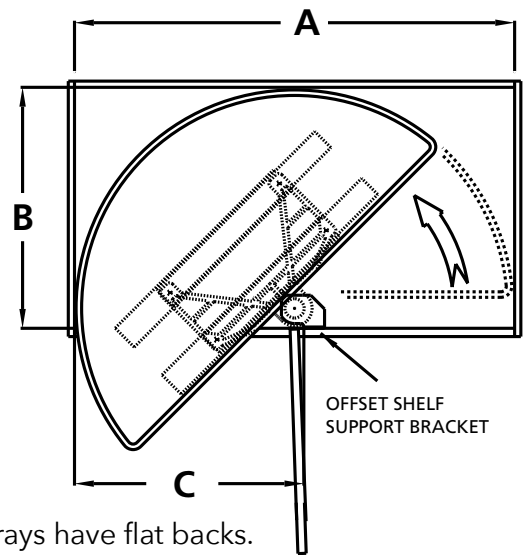
90° Hinge Bracket



FRAMED CABINET

DIMENSIONS A, B, AND C ARE MINIMUMS. 32" TRAY SHOWN IN DIAGRAM.

NOM Tray size	A	B	C	D
32" (813 mm)	34-1/4" (870 mm)	22-5/8" (575 mm)	12" (305 mm)	11-1/8" (283 mm)
35" (889 mm)	37" (940 mm)	22" (559 mm)	15" (381 mm)	14-1/8" (359 mm)
38" (965 mm)	39-1/2" (1003 mm)	22" (559 mm)	18" (457 mm)	17-1/8" (435 mm)



Smaller Trays have flat backs.

FRAMELESS CABINET (EURO)

DIMENSIONS A, B, AND C ARE MINIMUMS. 38" TRAY SHOWN IN DIAGRAM.

NOM Tray size	A	B	C
32" (813 mm)	34-1/8" (867 mm)	22-5/8" (575 mm)	13-1/4" (387 mm)
35" (889 mm)	35-3/16" (897 mm)	22" (559 mm)	16-1/4" (413 mm)
38" (965 mm)	38-9/16" (980 mm)	22" (559 mm)	19-1/4" (489 mm)

Lazy Susan

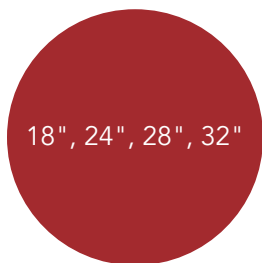
Natural Wood

- 2-3/8" steam bent rim (3-1/4" for tall)
- 5/8" thick natural maple shelf bottom
- Chrome hardware
- Doweled (2) butt joint
- Aluminum bearings
- TSCA Title VI compliant

For part number and pricing see page 386. See page 387 for specifications.



Shelf Configurations



18", 24", 28", 32"

Full Circle



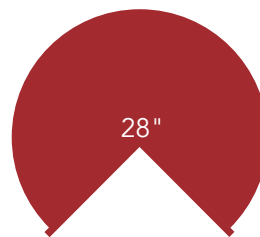
20", 28", 32"
(Available in Tall- except 28")

D-Shaped



18", 28", 32"
(Available in Tall- except 18")

Kidney Shaped



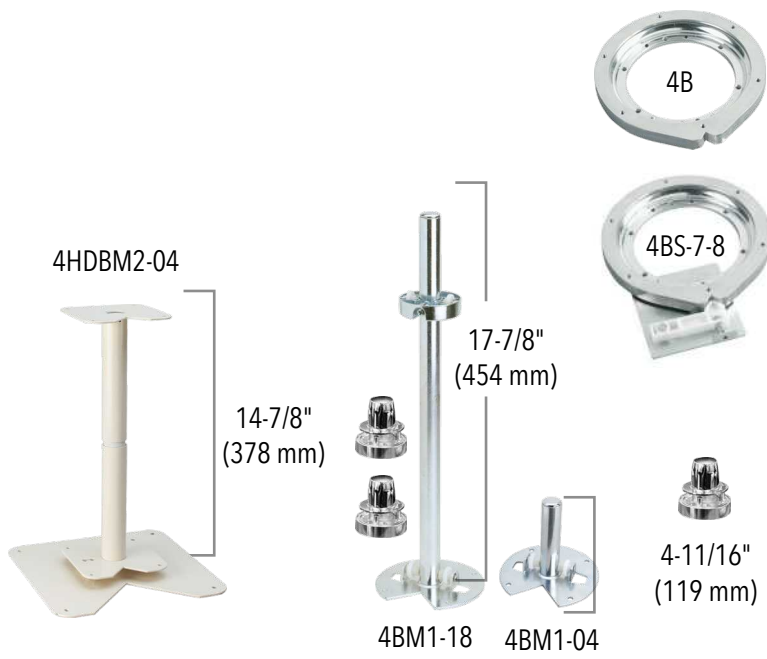
28"

Pie Cut



32", 35", 38"

Half Moon



Hardware

	Banded	Wood Classic	Natural
Telescoping Post		•	•
Twist-n-Lock Post	•		
Bottom Mount	•	•	•
HD Bottom Mount		•	•
Steel Bearing	•		
Aluminum Bearing		•	•

Shelf Support

Metal/Die Components		•	•
Polymer Components	•		

Hub

Polymer Hub	•		
Chrome Hub		•	•

Tray Rim

Doweled Butt Joint Rim	•		•
Finger Joint Rim		•	
Tall Rim Option			•
Chrome Fence Option		•	

Bearing Diagram



LD-4WLS940-04-28-4



6265-04-52



LD-4NW-404-36



LD-4NW-404



LD-4NW-004

FULL CIRCLE SHELF



Natural Wood Lazy Daisy w/ Aluminum Bearing

PRODUCT	DESCRIPTION	DIMS	FINISH	SLP
LD-4NW-001-18B-1	Single Shelf w/ 7" Aluminum Bearing	18" (457 mm) Diameter	Maple	\$107.30
LD-4NW-001-24B-1	Single Shelf w/ 10" Aluminum Bearing	24" (610 mm) Diameter	Maple	\$150.35
LD-4NW-001-28B-1	Single Shelf w/ 10" Aluminum Bearing	28" (711 mm) Diameter	Maple	\$169.65
LD-4NW-001-32B-1	Single Shelf w/ 10" Aluminum Bearing	32" (813 mm) Diameter	Maple	\$203.45

(2) Shelf Natural Wood Lazy Daisy w/ 26"-32" (660-813 mm) Telescoping Post

LD-4NW-072-18-1	(2) Shelf Set	18" (457 mm) Diameter	Maple	\$215.75
LD-4NW-072-24-1	(2) Shelf Set	24" (610 mm) Diameter	Maple	\$291.15
LD-4NW-072-28-1	(2) Shelf Set	28" (711 mm) Diameter	Maple	\$329.15
LD-4NW-072-32-1	(2) Shelf Set	32" (813 mm) Diameter	Maple	\$378.90

(3) Shelf Natural Wood Lazy Daisy w/ 38"-46" (965-1169 mm) Telescoping Post

LD-4NW-073-1836-1	(3) Shelf Set	18" (457 mm) Diameter	Maple	\$322.05
-------------------	---------------	-----------------------	-------	----------

*Note: Non-drilled trays without bearings are available, remove "B" from product number.

FULL CIRCLE SHELF BULK



Natural Wood Lazy Daisy w/ Aluminum Bearing

PRODUCT	DESCRIPTION	DIMS	FINISH	SLP
LD-4NW-001-18B-8	(8) Single Shelves w/ 7" Aluminum Bearing	18" (457 mm) Diameter	Maple	\$96.85 ea.
LD-4NW-001-24B-8	(8) Single Shelves w/ 10" Aluminum Bearing	24" (610 mm) Diameter	Maple	\$138.05 ea.
LD-4NW-001-28B-8	(8) Single Shelves w/ 10" Aluminum Bearing	28" (711 mm) Diameter	Maple	\$165.60 ea.
LD-4NW-001-32B-8	(8) Single Shelves w/ 10" Aluminum Bearing	32" (813 mm) Diameter	Maple	\$184.75 ea.

Drilled Natural Wood Lazy Daisy - *Must purchase telescoping hardware to attach to cabinet*

LD-4NW-041-18-8	(8) Single Shelves	18" (457 mm) Diameter	Maple	\$65.85 ea.
LD-4NW-041-24-8	(8) Single Shelves	24" (610 mm) Diameter	Maple	\$100.50 ea.
LD-4NW-041-28-8	(8) Single Shelves	28" (711 mm) Diameter	Maple	\$122.50 ea.
LD-4NW-041-32-8	(8) Single Shelves	32" (813 mm) Diameter	Maple	\$144.00 ea.

Hardware

LD-4NW-0436-1	(4) 26"-32" (660-813 mm) Telescoping Posts		Chrome	\$100.50 ea.
LD-4NW-004-4	(4) 38"-46" (965-1169 mm) Telescoping Posts		Chrome	\$68.00 ea.

*Note: Non-drilled trays without bearings are available, remove "B" from product number.

PIE CUT SHELF



(Attaches to the cabinet door)

(2) Shelf Natural Wood Lazy Daisy w/ 26"-32" (660-813 mm) Telescoping Post

PRODUCT	DESCRIPTION	DIMS	FINISH	SLP
LD-4NW-942-28-1	(2) Shelf Set	28" (711 mm) Diameter	Maple	\$338.85

Drilled Natural Wood Lazy Daisy - *Must purchase telescoping hardware to attach to cabinet*

LD-4NW-901-28-8	(8) - (2) Shelf Sets	28" (711 mm) Diameter	Maple	\$134.70 ea.
-----------------	----------------------	-----------------------	-------	--------------

Hardware

LD-4WLS940-04-28-4	(4) 26"-32" (660-813 mm) Telescoping Posts		Chrome	\$62.95 ea.
--------------------	--	--	--------	-------------

HALF MOON SHELF



Natural Wood Half Moon Lazy Susans

PRODUCT	DESCRIPTION	DIMS	MCO	CAB	FINISH	SLP
LD-4NW-882-32-1	Double Shelf with Pivot and Slide	32" (813 mm) Diameter	12" (305 mm) - FF 13-1/4" (337 mm) - FL	BC42	Maple	\$378.75
LD-4NW-882-35-1	Double Shelf with Pivot and Slide	35" (889 mm) Diameter	15" (381 mm) - FF 16-1/4" (413 mm) - FL	BC45	Maple	\$434.70
LD-4NW-882-38-1	Double Shelf with Pivot and Slide	38" (965 mm) Diameter	18" (457 mm) - FF 19-1/4" (489 mm) - FL	BC48	Maple	\$470.95

D-SHAPED SHELF



Natural Wood Lazy Daisy w/ Aluminum Bearing and Stop

PRODUCT	DESCRIPTION	DIMS	FINISH	SLP
LD-4NW-201-20BS-1	Single Shelf w/ 7" Aluminum Bearing	20" (508 mm) Diameter	Maple	\$147.30
LD-4NW-201-28BS-1	Single Shelf w/ 10" Aluminum Bearing	28" (711 mm) Diameter	Maple	\$173.85
LD-4NW-201-32BS-1	Single Shelf w/ 10" Aluminum Bearing	32" (813 mm) Diameter	Maple	\$208.05

Tall Natural Wood Lazy Daisy w/ Aluminum Bearing and Stop

LD-4NW-201-20TBS-1	Single Shelf w/ 7" Aluminum Bearing	20" (508 mm) Diameter	Maple	\$166.05
LD-4NW-201-32TBS-1	Single Shelf w/ 10" Aluminum Bearing	32" (813 mm) Diameter	Maple	\$259.70

(2) Shelf Natural Wood Lazy Daisy w/ 26"-32" (660-813 mm) Telescoping Post

LD-4NW-272-20-1	(2) Shelf Set	20" (508 mm) Diameter	Maple	\$259.25
LD-4NW-272-28-1	(2) Shelf Set	28" (711 mm) Diameter	Maple	\$332.05
LD-4NW-272-32-1	(2) Shelf Set	32" (813 mm) Diameter	Maple	\$382.35

D-SHAPED SHELF BULK



Natural Wood Lazy Daisy w/ Aluminum Bearing and Stop

PRODUCT	DESCRIPTION	DIMS	FINISH	SLP
LD-4NW-201-20BS-8	(8) Single Shelves w/ 7" Bearing	20" (508 mm) Diameter	Maple	\$134.15 ea.
LD-4NW-201-28BS-8	(8) Single Shelves w/ 10" Bearing	28" (711 mm) Diameter	Maple	\$156.60 ea.
LD-4NW-201-32BS-8	(8) Single Shelves w/ 10" Bearing	32" (813 mm) Diameter	Maple	\$187.90 ea.

Tall Natural Wood Lazy Daisy w/ Aluminum Bearing and Stop

LD-4NW-201-20TBS-6	(6) Single Shelves w/ 7" Bearing	20" (508 mm) Diameter	Maple	\$151.25 ea.
LD-4NW-201-32TBS-6	(6) Single Shelves w/ 10" Bearing	32" (813 mm) Diameter	Maple	\$237.95 ea.

Drilled Natural Wood Lazy Daisy - *Must purchase telescoping hardware to attach to cabinet*

LD-4NW-241-20-8	(8) Single Shelves	20" (508 mm) Diameter	Maple	\$92.80 ea.
LD-4NW-241-28-8	(8) Single Shelves	28" (711 mm) Diameter	Maple	\$106.70 ea.
LD-4NW-241-32-8	(8) Single Shelves	32" (813 mm) Diameter	Maple	\$136.45 ea.

Drilled Tall Natural Wood Lazy Daisy - *Must purchase telescoping hardware to attach to cabinet*

LD-4NW-241-20T-6	(6) Single Shelves	20" (508 mm) Diameter	Maple	\$109.35 ea.
LD-4NW-241-32T-6	(6) Single Shelves	32" (813 mm) Diameter	Maple	\$180.55 ea.

Hardware

LD-4NW-404-4	(4) 26"-32" (660-813 mm) Telescoping Posts	Chrome	\$68.00 ea.
LD-4NW-404T-3	(3) Tall 26"-32" (660-813 mm) Telescoping Posts	Chrome	\$68.00 ea.
LD-4NW-404-36-4	(4) 38"-46" (965-1169 mm) Telescoping Posts	Chrome	\$96.30 ea.

*Note: Non-drilled trays without bearings are available, remove "BS" from product number.

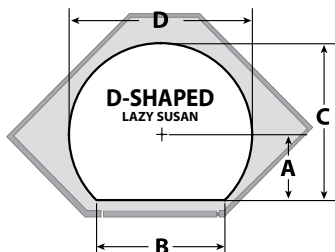
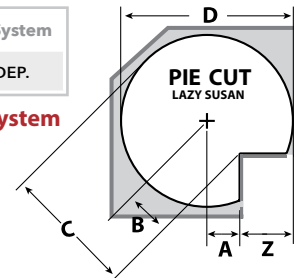
SPECIFICATIONS

NATURAL WOOD SHELVES

Shelf	Material	Series	A	B	C	D	Z	Post System
28" Pie Cut	Maple	LD-4NW	3"	4-1/4"	18-1/8"	27-3/4"	10-7/8" + 1/8" gap	1" DEP.

For custom applications, a trial installation is recommended.
Door edge profile, thickness, and gaps all factor in installation.

DEP. = Dependent Rotating System



Shelf	Material	Series	A	B	C	D	Post System
20" D-Shape	Maple	LD-4NW	8-3/8"	9-7/8"	18-1/8"	19-1/2"	1" IND.
28" D-Shape	Maple	LD-4NW	11-7/8"	14-1/2"	25-3/4"	27-3/4"	1" IND.
32" D-Shape	Maple	LD-4NW	13-1/2"	16-3/4"	29-3/8"	31-3/4"	1" IND.

IND. = Independent Rotating System

KIDNEY SHAPED SHELF



(Hinged door; Not attached)

Natural Wood Lazy Daisy w/ Aluminum Bearing and Stop

PRODUCT	DESCRIPTION	DIMS	FINISH	SLP
LD-4NW-401-28BS-1	Single Shelf w/ 7" Aluminum Bearing	28" (711 mm) Diameter	Maple	\$179.80
LD-4NW-401-32BS-1	Single Shelf w/ 10" Aluminum Bearing	32" (813 mm) Diameter	Maple	\$205.60

Tall Natural Wood Lazy Daisy w/ Aluminum Bearing and Stop

LD-4NW-401-28TBS-1	Single Shelf w/ 7" Aluminum Bearing	28" (711 mm) Diameter	Maple	\$213.30
LD-4NW-401-32TBS-1	Single Shelf w/ 10" Aluminum Bearing	32" (813 mm) Diameter	Maple	\$260.40

(2) Shelf Natural Wood Lazy Daisy w/ 26"-32" (660-813 mm) Telescoping Post

LD-4NW-472-18-1	(2) Shelf Set	18" (457 mm) Diameter	Maple	\$212.15
LD-4NW-472-28-1	(2) Shelf Set	28" (711 mm) Diameter	Maple	\$343.35
LD-4NW-472-32-1	(2) Shelf Set	32" (813 mm) Diameter	Maple	\$391.95

*Note: Non-drilled trays without bearings are available, remove "BS" from product number.

KIDNEY SHAPED SHELF BULK



(Hinged door; Not attached)

Natural Wood Lazy Daisy w/ Aluminum Bearing and Stop

PRODUCT	DESCRIPTION	DIMS	FINISH	SLP
LD-4NW-401-28BS-8	(8) Single Shelves w/ 7" Bearing	28" (711 mm) Diameter	Maple	\$158.05 ea.
LD-4NW-401-32BS-8	(8) Single Shelves w/ 10" Bearing	32" (813 mm) Diameter	Maple	\$192.15 ea.

Tall Natural Wood Lazy Daisy w/ Aluminum Bearing and Stop

LD-4NW-401-28TBS-6	(6) Single Shelves w/ 7" Bearing	28" (711 mm) Diameter	Maple	\$194.30 ea.
LD-4NW-401-32TBS-6	(6) Single Shelves w/ 10" Bearing	32" (813 mm) Diameter	Maple	\$237.20 ea.

Drilled Natural Wood Lazy Daisy - Must purchase telescoping hardware to attach to cabinet

LD-4NW-441-18-8	(8) Single Shelves	18" (457 mm) Diameter	Maple	\$65.85 ea.
LD-4NW-441-28-8	(8) Single Shelves	28" (711 mm) Diameter	Maple	\$116.70 ea.
LD-4NW-441-32-8	(8) Single Shelves	32" (813 mm) Diameter	Maple	\$144.00 ea.

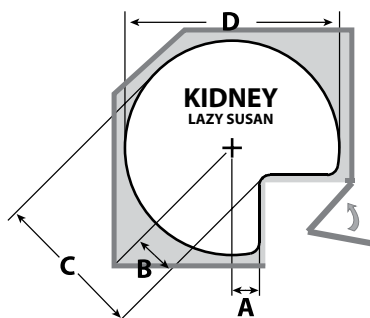
Drilled Tall Natural Wood Lazy Daisy - Must purchase telescoping hardware to attach to cabinet

LD-4NW-441-28T-6	(6) Single Shelves	28" (711 mm) Diameter	Maple	\$146.90 ea.
LD-4NW-441-32T-6	(6) Single Shelves	32" (813 mm) Diameter	Maple	\$183.40 ea.

Hardware

LD-4NW-404-4	(4) 26"-32" (660-813 mm) Telescoping Posts		Chrome	\$68.00 ea.
LD-4NW-404T-3	(3) Tall 26"-32" (660-813 mm) Telescoping Posts		Chrome	\$68.00 ea.
LD-4NW-404-36-4	(4) 38"-46" (965-1169 mm) Telescoping Posts		Chrome	\$96.30 ea.

*Note: Non-drilled trays without bearings are available, remove "BS" from product number.



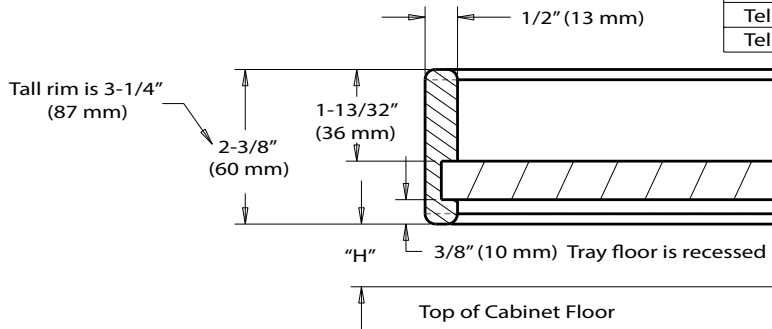
Shelf	Material	Series	A	B	C	D	Post System
18" Kidney	Maple	LD-4NW	1-7/8"	2-9/16"	11-1/2"	18"	1" IND.
24" Kidney	Maple	LD-4NW	1-7/8"	2-1/2"	11-1/2"	24"	1" IND.
28" Kidney	Maple	LD-4NW	3"	4-1/4"	18-1/8"	27-3/4"	1" IND.
32" Kidney	Maple	LD-4NW	4"	5-3/4"	21-5/8"	31-3/4"	1" IND.

IND. = Independent Rotating System

LIP SPECIFICATIONS

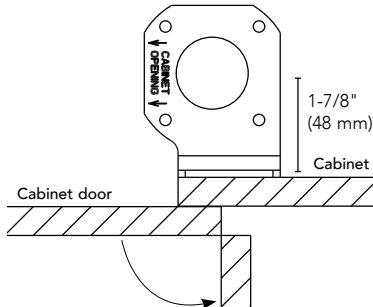
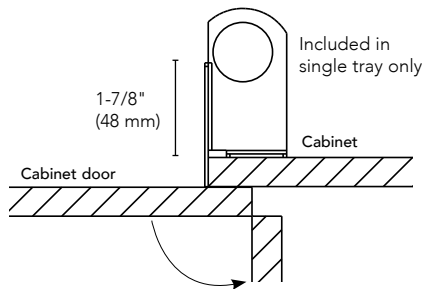
NATURAL WOOD SHELVES

Hardware	Tray Shape	"H"
Aluminum	FC, Kidney and D-Shape	31/32" (24 mm)
Telescopic Shaft	Full Circle	7/8" (22 mm)
Telescopic Shaft	Kidney and D-Shape	31/32" (24 mm)
Telescopic Shaft	Pie-Cut	1-3/4" (45 mm)

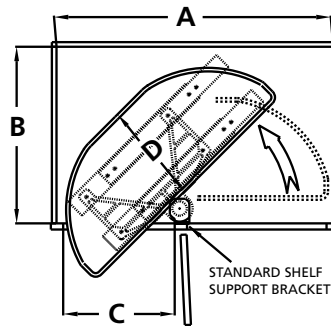


SPECIFICATIONS

HALF-MOON NATURAL WOOD SHELVES



Standard Bracket

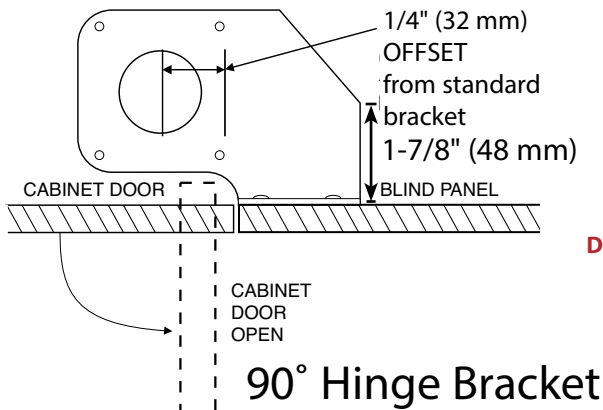


STANDARD AND 90-DEGREE BRACKETS COME WITH EACH UNIT

FRAMED CABINET

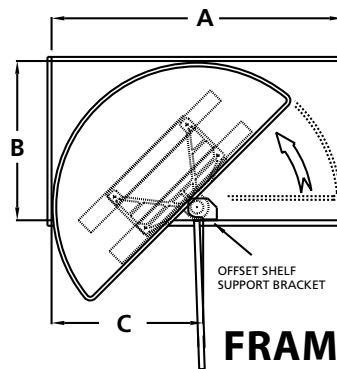
DIMENSIONS A, B, AND C ARE MINIMUMS. 32" TRAY SHOWN IN DIAGRAM.

NOM Tray size	A	B	C	D
32" (813 mm)	34-1/4" (870 mm)	22" (559 mm)	12" (305 mm)	11-1/8" (283 mm)
35" (889 mm)	37" (940 mm)	22" (559 mm)	15" (381 mm)	14-1/8" (359 mm)
38" (965 mm)	39-1/2" (1003 mm)	22" (559 mm)	18" (457 mm)	17-1/8" (435 mm)



90° Hinge Bracket

Smaller Trays have flat backs.

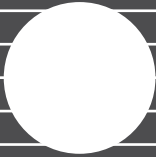



STANDARD AND 90-DEGREE BRACKETS COME WITH EACH UNIT

FRAMELESS CABINET (EURO)


DIMENSIONS A, B, AND C ARE MINIMUMS. 38" TRAY SHOWN IN DIAGRAM.

NOM Tray size	A	B	C
32" (813 mm)	34-1/8" (867 mm)	22" (559 mm)	13-1/4" (387 mm)
35" (889 mm)	35-3/16" (897 mm)	22" (559 mm)	16-1/4" (413 mm)
38" (965 mm)	38-9/16" (980 mm)	22" (559 mm)	19-1/4" (489 mm)

	Lazy Daisy	Value Line	R-A-S
Full Circle			
	16"		•
	18"	•	•
	20"		•
	24"	•	•
	28"	•	•
32"	•	•	

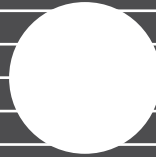
Kidney			
	18"	•	•
	24"	•	•
	28"	•	•
	32"	•	•


Pie Cut			
	18"	•	
	24"	•	•
	28"	•	•


D-Shaped			
	20"		•
	22"		•
	32"	•	

Half Moon			
	31"		•
	33"		•
	39"		•


	Lazy Daisy	Value Line	R-A-S
Mounting Hardware:			
Telescoping Post	•		•
Twist-n-Lock Post		•	
Bottom Mount	•	•	•
Shelf Support Hardware:			
Snap Pin	•		
Metal/Die Components			•
Polymer Components	•	•	
Hub:			
Molded Hub	•	•	
Chrome Hub			•

	Banded	Wood Classic	Natural
Full Circle			
	10"		•
	18"	•	•
	20"	•	•
	24"	•	•
	28"	•	•
32"	•	•	

Kidney			
	18"		•
	24"	•	•
	28"	•	•
	32"	•	•

Pie Cut			
	24"		•
	28"	•	•
	32"	•	•

D-Shaped			
	20"	•	•
	22"		•
	28"	•	•
	32"	•	•

Half Moon			
	32"		•
	35"		•
	38"		•

	Banded	Wood Classic	Natural
Mounting Hardware:			
Telescoping Post		•	•
Twist-n-Lock Post	•		
Bottom Mount	•	•	•
HD Bottom Mount		•	•
Steel Bearing	•		
Aluminum Bearing		•	•
Shelf Support Hardware:			
Metal/Die Components		•	•
Polymer Components	•		
Hub:			
Polymer Hub	•		
Chrome Hub		•	•
Tray Rim:			
Doweled Butt Joint Rim	•		•
Finger Joint Rim		•	
Tall Rim Option			•
Chrome Fence Option		•	

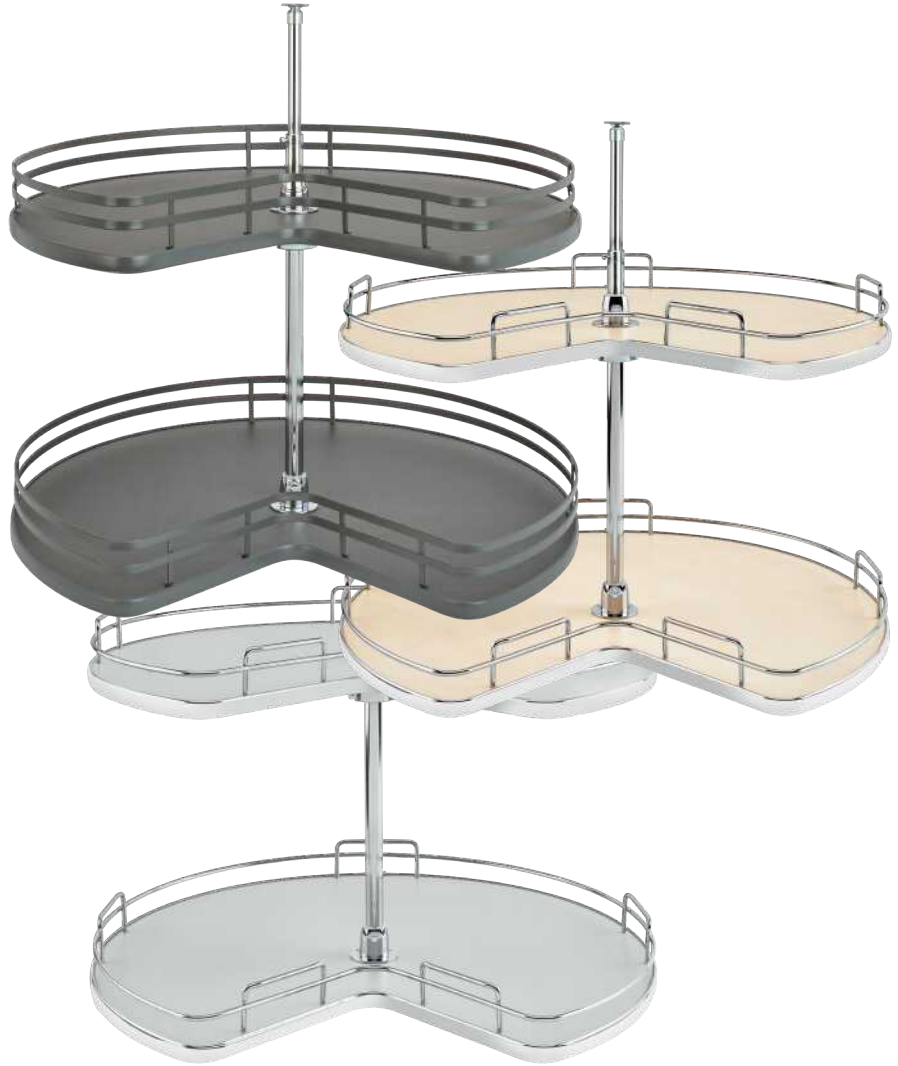


SPECIALTY

LAZY

SUSAN

- Designed for 36" kidney corner base cabinets
- Solid bottom, maple, gray or orion gray
- Single shelf set features aluminum swivel bearing with stop
- Double shelf set features independently rotating hardware and chrome-plated telescoping posts, which accommodates 26" to 32" inner cabinet heights.
- TSCA Title VI compliant



Solid Bottom Kidney Shaped Lazy Susans w/ 10" Aluminum Bearing for 36" Kidney Cabinets

PRODUCT	DESCRIPTION	DIMS	FINISH	SLP
53-401-32BSGR-1	Single Shelf	32" (813 mm) Diameter	Gray	\$205.65
53-401-32BSMP-1	Single Shelf	32" (813 mm) Diameter	Maple	\$205.65
53-401-32BSFOG-1	Single Shelf	32" (813 mm) Diameter	Orion Gray	\$226.50

(2) Shelf Solid Bottom Kidney Shaped Lazy Susans for 36" Kidney Cabinets

53472-32GR-1	(2) Shelf Set	32" (813 mm) Diameter	Gray	\$356.55
53472-32MP-1	(2) Shelf Set	32" (813 mm) Diameter	Maple	\$356.55
53472-32FOG-1	(2) Shelf Set	32" (813 mm) Diameter	Orion Gray	\$386.70



- Designed for 33" and 36" kidney corner base cabinets
- Solid wood construction, maple
- Mounts to cabinets top and bottom
- Upper kidney shaped shelf with mid-level arrester
- Lower kidney shaped shelf
- Up to (7) hooks
- TSCA Title VI compliant

NSLS-KM-28S-7



(7) Adjustable hooks



Built-in positioner stop



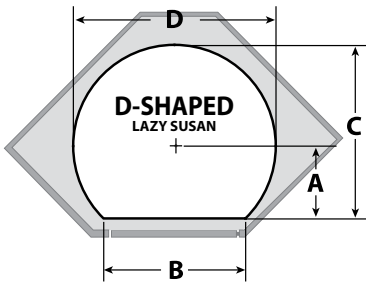
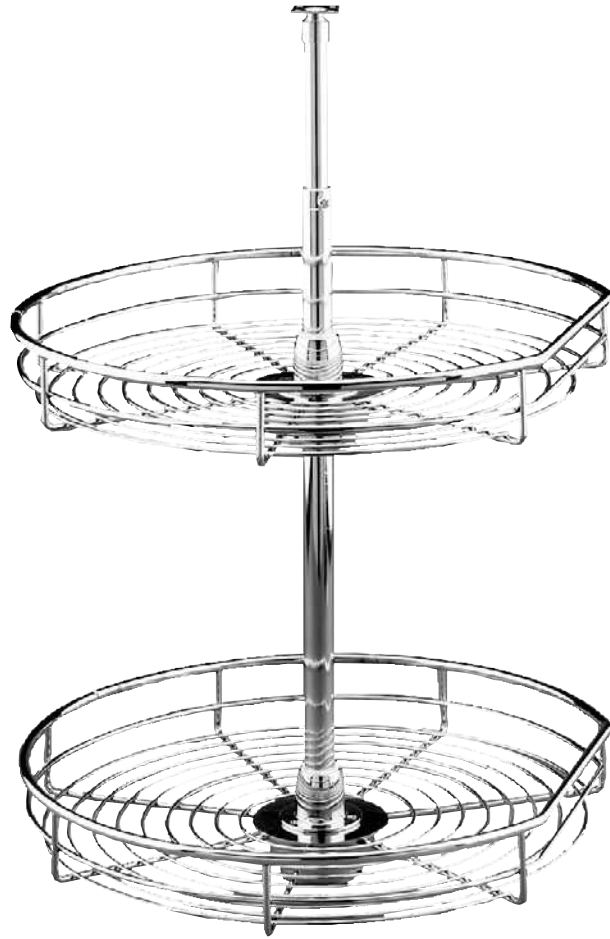
NSLS-KM-28S-7
Not-So-Lazy Susan
(28" Version shown)

NOTE: 154 lb. dynamic weight rating

Not-So-Lazy-Susan w/ Hardware and Hooks

PRODUCT	DESCRIPTION	DIMS	FINISH	SLP
NSLS-KM-28S-7	Single Shelf	28" (711 mm) Diameter	Maple	\$414.55
NSLS-KM-32S-7	Single Shelf	32" (813 mm) Diameter	Maple	\$428.60

- (2) shelf set available in 20" or 32" diameters
- (3) shelf set available in a 20" diameter
- Feature our durable 1" chrome plated diameter post system
- Independent rotating hardware
- Telescoping post for variations in cabinet height
- Chrome hub and hardware



Shelf	Material	Series	A	B	C	D	Post System
20" D-Shape	Chrome	5272	8-7/8"	9-1/4"	18-7/8"	20"	1" IND.
32" D-Shape	Chrome	5272	14-7/16"	13-3/4"	30-7/16"	32"	1" IND.

IND. = Independent Rotating System

(2) Shelf D-Shaped Lazy Susan w/ 26"-32" (660-813 mm) Telescoping Post

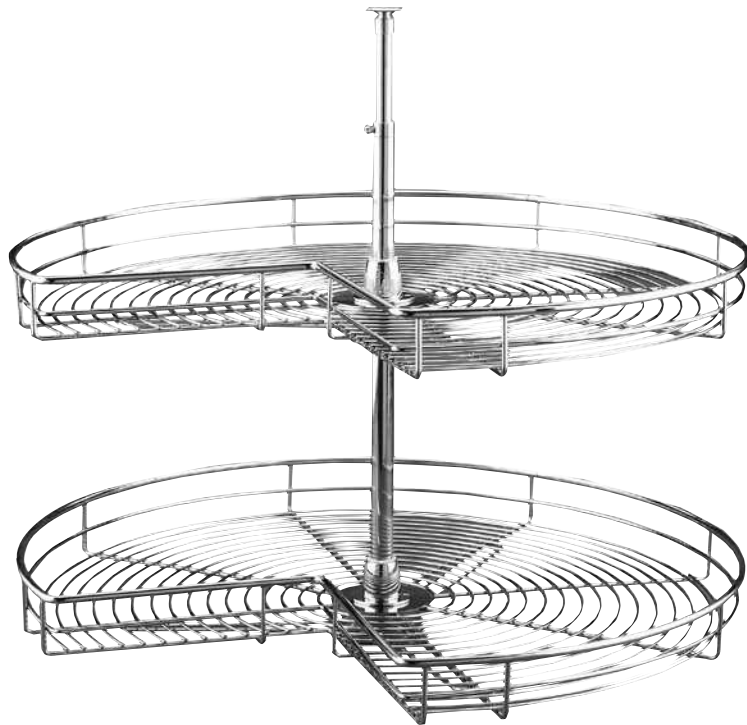
PRODUCT	DESCRIPTION	DIMS	FINISH	SLP
5272-20 CR	(2) Shelf Set	20" (508 mm) Diameter	Chrome	\$450.20
5272-32 CR	(2) Shelf Set	32" (813 mm) Diameter	Chrome	\$546.65

(3) Shelf D-Shaped Lazy Susan w/ 38"-46" (965-1169 mm) Telescoping Post

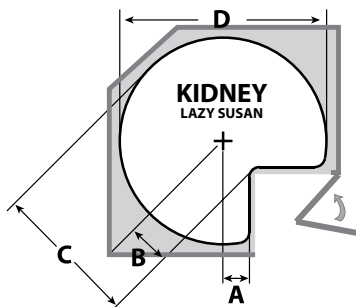
5273-20-536 CR	(3) Shelf Set	20" (508 mm) Diameter	Chrome	\$656.30
----------------	---------------	-----------------------	--------	----------

Chrome Kidney Shape Shelf

5472 Series



- (2) shelf set available in 28" or 32" diameters
- Feature our durable 1" chrome plated diameter post system
- Independent rotating hardware
- Telescoping post for variations in cabinet height



Shelf	Material	Series	A	B	C	D	Post System
28" Kidney	Chrome	5472	2-7/8"	4-3/16"	18-1/4"	28-1/8"	1" IND.
32" Kidney	Chrome	5472	2-7/8"	4-3/16"	20-1/4"	32-1/8"	1" IND.

IND. = Independent Rotating System

(2) Shelf Kidney Lazy Susan w/ 26"-32" (660-813 mm) Telescoping Post

PRODUCT	DESCRIPTION	DIMS	FINISH	SLP
5472-28 CR	(2) Shelf Set	28" (711 mm) Diameter	Chrome	\$376.40
5472-32 CR	(2) Shelf Set	32" (813 mm) Diameter	Chrome	\$417.90

5881 Series

Chrome Wire Half Moon Lazy Susan

- Pivots & pulls out
- Comes with cabinet mounting hardware
- Sleek wire construction that glides on a ball-bearing slide
- Easy installation

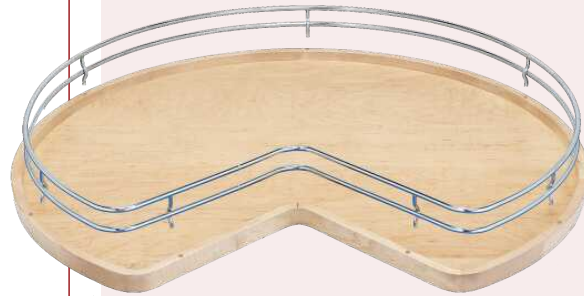


Chrome Wire Half Moon Lazy Susan

PRODUCT	DESCRIPTION	DIMS	MCO	CAB	FINISH	SLP
5881-33CR-1	Single Shelf Pivot and Slide	33-29/32" (861 mm) W x 18-1/2" (470 mm) L x 4-5/8" (188 mm) H	18-1/2" (469 mm)	BC48	Chrome	\$139.35

5LSF Series

Chrome Fence Railing



Full Circle Fence Rail

PRODUCT	DESCRIPTION	DIMS	FINISH	SLP
5LSF018-CR	Rail Fence	18" (457 mm) Diameter	Chrome	\$39.05
5LSF020-CR	Rail Fence	20" (508 mm) Diameter	Chrome	\$40.65
5LSF028-CR	Rail Fence	28" (711 mm) Diameter	Chrome	\$53.20
5LSF032-CR	Rail Fence	32" (813 mm) Diameter	Chrome	\$59.40

Full Circle Fence Rail

5LSF018-8CR	(8) Rail Fences	18" (457 mm) Diameter	Chrome	\$34.50 ea.
5LSF020-8CR	(8) Rail Fences	20" (508 mm) Diameter	Chrome	\$34.00 ea.
5LSF028-8CR	(8) Rail Fences	28" (711 mm) Diameter	Chrome	\$51.90 ea.
5LSF032-8CR	(8) Rail Fences	32" (813 mm) Diameter	Chrome	\$57.95 ea.

Kidney Shaped Fence Rail

5LSF424-CR	Rail Fence	24" (310 mm) Diameter	Chrome	\$53.25
5LSF428-CR	Rail Fence	28" (711 mm) Diameter	Chrome	\$58.45
5LSF432-CR	Rail Fence	32" (813 mm) Diameter	Chrome	\$64.05

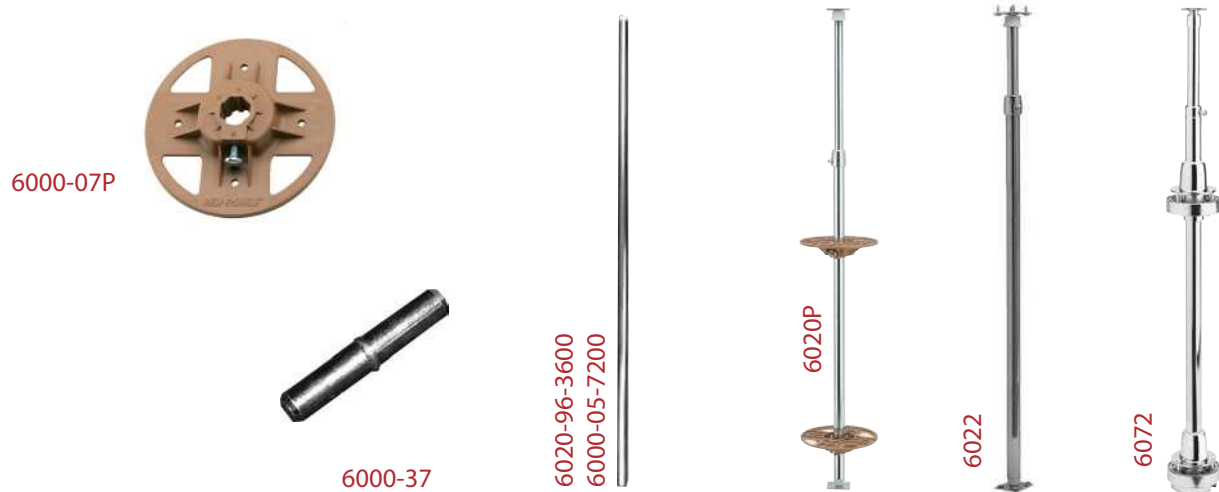
Kidney Shaped Fence Rail

5LSF424-8CR	(8) Rail Fences	24" (310 mm) Diameter	Chrome	\$47.50 ea.
5LSF428-8CR	(8) Rail Fences	28" (711 mm) Diameter	Chrome	\$52.50 ea.
5LSF432-8CR	(8) Rail Fences	32" (813 mm) Diameter	Chrome	\$56.55 ea.

HARDWARE

Hardware

Rev-A-Shelf Hardware Kits for wood or melamine custom shelving are tested to meet and exceed BHMA Class-I specifications of 20 lbs. per square foot at 100,000 cycles. Our hardware and hardware components allow maximum flexibility, strength and aesthetic value for all custom applications.



Shelf Support for Full Circle Shelves				
PRODUCT	DESCRIPTION	DIMS	FINISH	SLP
6000-07P-52	Shelf Support	18" (457 mm) Diameter	Polymer	\$15.80
Center Post Adapter for Extending				
6000-37-52	Post Adapter	20" (508 mm) Diameter	Metal	\$23.50
3/4" Diameter Lower Post Assembly				
6020-96-3100-2	31" Post (787 mm)	28" (711 mm) Diameter	Bright Zinc	\$19.30
6020-96-3600-2	36" Post (915 mm)	32" (813 mm) Diameter	Bright Zinc	\$24.35
6000-05-7200-2-52	72" Post (1829 mm)	18" (457 mm) Diameter	Bright Zinc	\$47.85
(2 Shelf) Full Circle Hardware Set for Custom Shelves				
6020-04P-52	Hardware	20" (508 mm) Diameter	Polymer	\$43.50
(2 Shelf) Full Circle Hardware Set for Custom Shelves				
6020-04P-4	(6) Hardware Sets	3/4" Diameter Post (19 mm)	Polymer	\$38.55 ea.
6020-04P-426	(6) Hardware Sets	38"-46" (914 mm-1168 mm) H – 3/4" (19 mm) Diameter Post	Polymer	\$33.80 ea.
Full Circle Hardware Set for Rev-A-Shelf Polymer Shelves				
6022-04-52	Hardware	3/4" Diameter Post (19 mm)	Bright Zinc	\$32.05
6022-04-52-526	Hardware	38"-46" (914 mm-1168 mm) H – 3/4" (19 mm) Diameter Post	Bright Zinc	\$40.90
Full Circle Hardware Set for Rev-A-Shelf Polymer Shelves				
6022-04-4	(6) Hardware Sets	3/4" Diameter Post (19 mm)	Bright Zinc	\$24.65 ea.
6022-04-426	(4) Hardware Sets	38"-46" (914 mm-1168 mm) H – 3/4" (19 mm) Diameter Post	Bright Zinc	\$34.65 ea.
Full Circle Hardware Set/Independently Rotating				
6072-04-52	(2) Shelf Full Circle Hardware Set	1" Diameter Post (26 mm)	Chrome	\$106.30
6073-04-536	(3) Shelf Full Circle Hardware Set	38"-46" (914 mm-1168 mm) H – 1" (26 mm) Diameter Post	Chrome	\$152.75

NOTES: 6000-07/P 5" (127 mm) DIAMETER SHELF SUPPORT FOR WOOD SHELVES (USE 6020/6022 SERIES HARDWARE KITS.)
6000-37 For joining two or more center posts together. (3/4" (19 mm) post diameter only) (6000 Series) 6020-96-3600 / 6000-05-7200 For use with full circle dependently rotating sets. 36" post for use in 36" & 42" (915-1067 mm) wall cabinet applications. 72" post for use with custom applications.
6020P For use with wood or laminate custom shelves.
6072 For use with independently rotating non-centering wood shelves.
CONTAINS: 6020 Top and bottom pivots 6000-90-2; post assembly 6020-97-2100-2; upper post assembly 6120-93-1200-2; collar assembly 6120-92-2; two full circle shelf supports 6000-07, and mounting screws.
6022 Top and bottom pivots 6000-90-2; 21" post assembly 6020-97-2100-2; 12" post assembly 6120-93-1200-2; collar assembly 6120-92-2; and mounting screws.
6072 2 shelf hubs 6260-08-26; 2 shelf supports 6470-07-2; 1 collar 6260-92-26; 1 upper pivot 6000-91-2; 1 positioning base 6260-77-2; 22-1/2" (572 mm) lower post assembly 6470-96-2208-26; 9-1/4" (235 mm) upper post assembly (6470-93-0904-26) and mounting screws.



(2) Shelf Independently Rotating Centering Hardware

PRODUCT	DESCRIPTION	DIMS	FINISH	SLP
6272-04-52	Hardware	26"-32" (661-813 mm) I.C.H. 1" (26 mm) Diameter Post	Chrome	\$117.45

(5) Shelf Utility Cabinet Centering Hardware

6265-04-52	Hardware	56"-62" (1423-1575 mm) I.C.H. 1" (26 mm) Diameter Post	Chrome	\$237.05
------------	----------	--	--------	----------

1" Diameter Lower Post Assembly

6360-05-7008-26-52	Post Extension	70-1/2" (1791 mm) Post 1" (26 mm) Diameter	Chrome	\$74.55
6370-96-7008-26-52	1" Center Post Extension	70-1/2" (1791 mm) Post 1" (26 mm) Diameter	Chrome	\$73.95
6470-96-4008-26-52	1" Center Post Extension	1" (26 mm) x 40-1/2" (1029 mm) Post	Chrome	\$48.85
6260-38-1	Post Coupling for 1" Diameter	20" (508 mm) Diameter	Chrome	\$25.70

Pie Cut Hardware for Wood Shelves w/ Polymer Shelf Supports (24" or larger - custom trays)

6940-04-28P-52	Hardware Sets	3/4" (19 mm) Diameter Post	Bright Zinc/Chrome	\$70.65
----------------	---------------	----------------------------	--------------------	---------

Pie Cut Hardware for Wood Shelves w/ Polymer Shelf Supports (24" or larger)

6940-04-28P-4	(6) Hardware Sets	3/4" (19 mm) Diameter Posts	Bright Zinc	\$65.95 ea.
---------------	-------------------	-----------------------------	-------------	-------------

Center Post & Pivot Hardware for RAS Polymer Shelves (Individual Pack)

6942-04-28-52	Hardware		Bright Zinc	\$67.90
---------------	----------	--	-------------	---------

Shelf Supports for Pie Cut Hardware for Wood Shelves

6950-07P-52	Shelf Support	1" (26 mm) Diameter Post	Polymer	\$13.80
-------------	---------------	--------------------------	---------	---------

NOTES: 6272-04-52 For use with independently rotating centering shelves.

6265-04-52 For use with independently rotating centering shelves.

6360/6370 For use with independent rotating tray kits or hardware kits. Distributor post for use when needing longer post for pantry or kidney independently rotating hardware sets. Must be used with bushing supplied by factory or with extending collar 6260-38-26.

6940-04-28P/ Replaces part number 6120-04 for 24", 28", (610, 711 mm) or larger wood shelves only. Not for use with 18", 20" or 22" shelves. 1" (26 mm) dia. post

6942-04-28-52 Replaces part number 6122-04-52 for 24" or 28" (610, 711 mm), shelves only. Not for use with 18", 20" or 22" shelves. (Contains large cam base.) 1" (26 mm) dia. post.

CONTAINS: 6272-04-52 2 Shelf support assemblies, mounting hardware and telescoping center post assembly to accommodate 26"-32" (661-813 mm) I.C.H. 1" (26 mm) dia. post

6265-04-52 Hardware for 5 shelf set with 56"-62" (1423-1575mm) I.C.H. post system. 1" (26 mm) dia. post

6120-04-52 PC post assembly w/ shelf supports for 18"-22" (457-559 mm) tray sets; also see 6940-04 kits.

6120-04-4 Top pivot 6140-03-2; cam base 6140-50-2; 21" (534 mm) post assembly 6120-97-2100-2; 12" (305 mm) post assembly 6120-93-1200-2; collar assembly 6120-92-2; shelf supports with adjustment screws 6140-07, and mounting screws

Hardware



Single Tray Hardware

PRODUCT	DESCRIPTION	DIMS	FINISH	SLP
BM1-VL-04-52	Value Line Single Tray Bottom Mount Post	4" (102 mm) Post	Zinc Coated	\$21.85
BM1-VL-4-SHUB-12	(12) Bottom Mount Hardware Sets w/ Wall Hub	4" (102 mm) Post	Zinc Coated	\$20.25 ea.
BM1-VL-4-LHUB-12	(12) Bottom Mount Hardware Sets w/ Base Hub	4" (102 mm) Post	Zinc Coated	\$20.85 ea.
BM1-04-52	Single Tray Bottom Mount Post	4" (102 mm) Post	Zinc Coated	\$29.70
4BM1-04-52	Wood Single Tray Bottom Mount Post	4" (102 mm) Post	Zinc Coated	\$34.20

Aluminum Lazy Susan Swivel Bearing w/ Stop

4BS-7-8	(8) 7" Bearings		Aluminum	\$32.85 ea.
4BS-10-8	(8) 10" Bearings		Aluminum	\$39.60 ea.

Aluminum Lazy Susan Bearing

4B-7-8	(8) 7" Bearings		Aluminum	\$30.00 ea.
4B-10-8	(8) 10" Bearings		Aluminum	\$33.95 ea.

(2) Shelf Lazy Susan Post Hardware

BM1-VL-18-52	Value Line Two Tray Bottom Mount Post	18" (457 mm) Post	Zinc Coated	\$31.85
BM1-VL-18-SHUB-6	(6) Bottom Mount Hardware Sets w/ Wall Hub	18" (457 mm) Post	Zinc Coated	\$28.65 ea.
BM1-VL-18-LHUB-6	(6) Bottom Mount Hardware Sets w/ Base Hub	18" (457 mm) Post	Zinc Coated	\$29.70 ea.
BM1-18-52	Two Tray Bottom Mount Post	18" (457 mm) Post	Zinc Coated	\$42.75
4BM1-18-52	Wood Two Tray Bottom Mount Post	18" (457 mm) Post	Zinc Coated	\$76.85
4HDBM2-04-52	Heavy Duty Two Tray Bottom Mount Post	18" (457 mm) Post	Almond Powder Coated	\$61.15



LD-4BW-004



LD-4BW-004BM1



LD-4BW-004BM2



4SB



LD-24BM2



LD-24BM1



LD-24



Lazy Daisy Banded Wood Hardware

PRODUCT	DESCRIPTION	DIMS	FINISH	SLP
LD-4BW-004-10	(10) Hardware for Banded Wood Full Circle w/ 26"-31" (660 - 787 mm) Telescoping Posts		Zinc/Almond	\$32.40 ea.
LD-4BW-00436-4	(4) Hardware for Banded Wood Full Circle 3 Tray Set w/ 38"-46" (965 - 1168 mm) Telescoping Posts		Zinc/Almond	\$54.20 ea.
LD-4BW-004-4	(4) Hardware for Banded Wood Full Circle w/ 26"-31" (660 - 787 mm) Telescoping Posts		Zinc/Almond	\$35.15 ea.
LD-4BW-004BM1-8	(8) Hardware for Banded Wood Full Circle Single Bottom Mounts		Zinc/Almond	\$20.55 ea.
LD-4BW-004BM2-4	(4) Hardware for Banded Wood Full Circle Double Bottom Mounts		Zinc/Almond	\$26.80 ea.
LD-4BW-20436-4	(4) Hardware for Banded Wood D Shape 3 Tray w/ 38"-46" (965 - 1168 mm) Telescoping Posts		Zinc/Almond	\$53.105 ea.
LD-4BW-204-4	(4) Hardware for Banded Wood D Shape w/ 26"-31" (660 - 787 mm) Telescoping Posts		Zinc/Almond	\$31.65 ea.
LD-4BW-204BM1-8	(8) Hardware for Banded Wood D Shape Single Bottom Mounts		Zinc/Almond	\$23.15 ea.
LD-4BW-204BM2-4	(4) Hardware for Banded Wood D Shape Double Bottom Mounts		Zinc/Almond	\$29.25 ea.
LD-4BW-404-4	(4) Hardware for Banded Wood Kidney w/ 26"-31" (660 - 787 mm) Telescoping Posts		Zinc/Almond	\$28.75 ea.

Lazy Daisy Banded Wood Hardware

4SB-7-1	7" Lazy Susan Steel Swivel Bearing		Steel	\$12.75
4SB-7-10	(10) 7" Lazy Susan Steel Swivel Bearings		Steel	\$7.40 ea.
4SB-10-1	10" Lazy Susan Steel Swivel Bearing		Steel	\$17.70
4SB-10-10	(10) 10" Lazy Susan Steel Swivel Bearings		Steel	\$11.15 ea.
4SBS-7-1	7" Lazy Susan Steel Swivel Bearing With Stop		Steel	\$13.35
4SBS-7-10	(10) 7" Lazy Susan Steel Swivel Bearings w/ Stop		Steel	\$7.95 ea.
4SBS-10-1	10" Lazy Susan Steel Swivel Bearing w/ Stop		Steel	\$18.40
4SBS-10-10	(10) 10" Lazy Susan Steel Swivel Bearings w/ Stop		Steel	\$11.75 ea.

Lazy Daisy Polymer Hardware

LD-20-0431-5	(5) Hardware for Polymer Full Circle, Kidney, D-Shape w/ 30-35" (762 - 889 mm) Telescoping Posts		Zinc/White	\$32.25 ea.
LD-24-0436-5	(5) Hardware for Polymer Kidney 3 Tray w/ 34-41" (863 - 1041 mm) Telescoping Posts		Zinc/White	\$36.30 ea.
LD-24-04-5	(5) Hardware for Polymer Kidney w/ 26-31" (660 - 787 mm) Telescoping Posts		Zinc/White	\$22.20 ea.
LD-24BM1-04-10	(10) Hardware for Polymer Kidney Single Bottom Mounts		Zinc/White	\$14.10 ea.
LD-24BM2-04-5	(5) Hardware for Polymer Kidney Double Bottom Mounts		Zinc/White	\$18.25 ea.

HARDWARE COMPONENTS



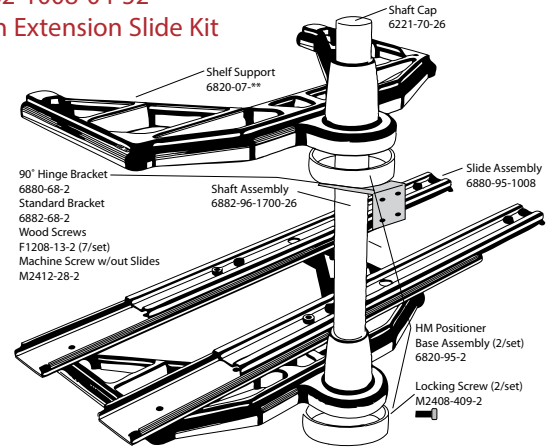
6882-1008-04-52
Half Moon Extension Slide Kit



6841 Rev-A-Tray Half-Moon Hardware Kit



6842-04 Half-Moon 2 Shelf Hardware Kit



Half Moon Hardware Kit (Individual Pack)

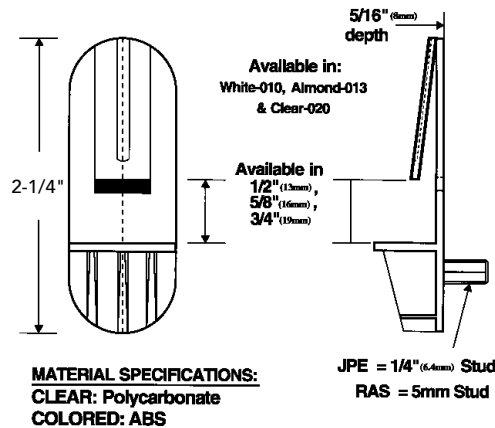
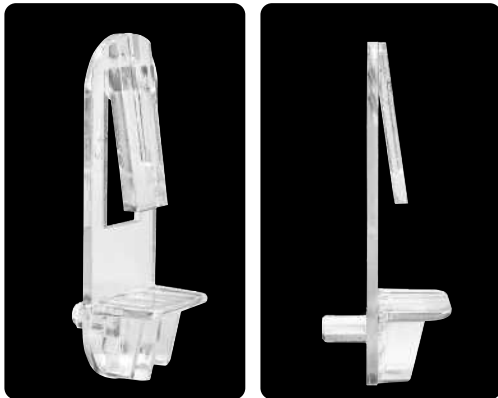
PRODUCT	DESCRIPTION	DIMS	FINISH	SLP
6841-04-52	Single Rev-A-Tray Tray Hardware Kit		Metal	\$66.25
6842-04-570	2 Shelf Hardware Kit without Slides		Metal	\$152.45
6882-1008-04-52	Extension Slide Kit	10-1/2" (267 mm) Extension	Metal	\$47.70
6882-04-52	2 Shelf Hardware Kit with Slides		Metal	\$227.65

CONTAINS:

6842-04-570 Two (2) shelf supports 6820-07-**; 2 positioning bases (6820-95-2); 1 standard bracket (6882-68-2); 1 euro bracket (6880-68-2); 15-7/8" (404 mm) 680 post (6882-96-1514-26)—Also includes template and installation instructions.
 6882-1008-04-52 Slide kit only. 1 pair with screws. Individually packaged.

JPE SERIES POLYMER COMPONENT PARTS BULK

Rev-A-Shelf custom molds many component parts for the cabinet industry, furniture industry, and many other industries. We utilize high quality engineering grade polymer materials such as ABS for our shelf clips. Should you require any custom polymer component parts, please contact customer service.



1/4" Boss Polymer Locking Shelf Clips (Bulk Pack)

PRODUCT	DESCRIPTION	DIMS	FINISH	SLP
JPE 301-12-020-1	Shelf Locking Clip	1/2" (13 mm)	Clear	\$15 ea.
JPE 301-34-0**-1	Shelf Locking Clip	3/4" (19 mm)	White or Clear	\$15 ea.
JPE 301-58-0**-1	Shelf Locking Clip	5/8" (16 mm)	White or Clear	\$15 ea.

RAS SERIES—5MM Boss Polymer Locking Shelf Clips (Bulk Pack)

PRODUCT	DESCRIPTION	DIMS	FINISH	SLP
RAS 305-12-0**-1	Shelf Locking Clip	1/2" (13 mm)	White or Clear	\$15 ea.
RAS 305-34-0**-1	Shelf Locking Clip	3/4" (19 mm)	White or Clear	\$15 ea.
RAS 305-58-0**-1	Shelf Locking Clip	5/8" (16 mm)	White or Clear	\$15 ea.

NOTES:

JPE 301/RAS 305 **Denotes: White - 010 or Clear - 020 clear polycarbonate

SPECIFICATIONS

HARDWARE KIT PARTS LIST

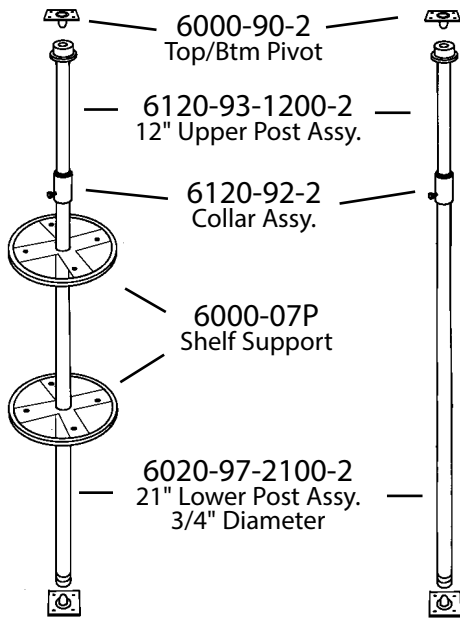
DEPENDENTLY ROTATING

6020-04P

For Custom Shelves

6022-04

For Polymer Shelves



Dependent Rotating Hardware
Extension: 24"–31" (610–788 mm)

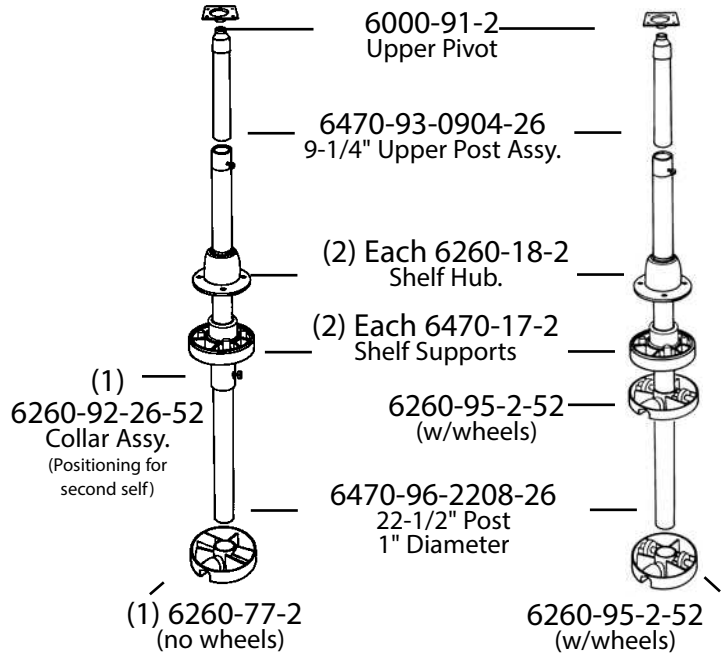
INDEPENDENTLY ROTATING

6072-04

Full Circle Shelving

6272-04

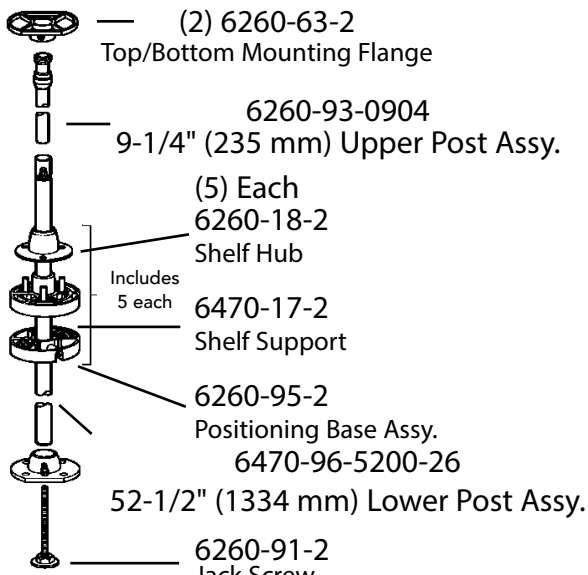
Centering Hardware



Independent Rotating Hardware
Extension: 26"–32" (661 mm–813 mm)

UTILITY CABINET CENTERING

6265-04



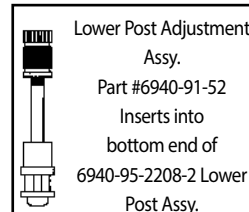
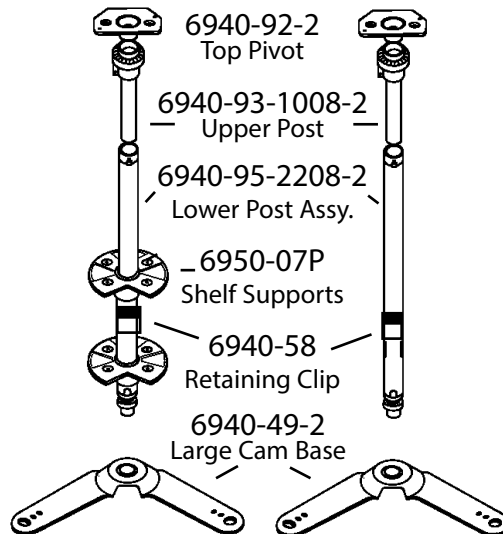
Independent Rotating Hardware
1" (26 mm) diameter post system
Std. Extension: 56"–62" (1423–1575 mm)

PIE-CUT

6940-04

For Custom Shelves
For Polymer Shelves

6942-04

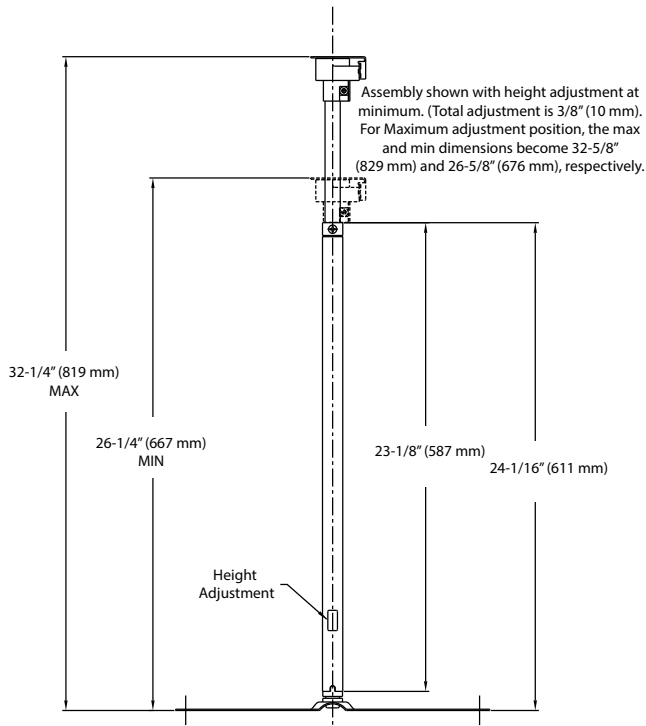


Note: For 24" (610 mm) or larger diameter shelves
Extension: 26"–32" (661–813 mm)
1" (26 mm) diameter post system

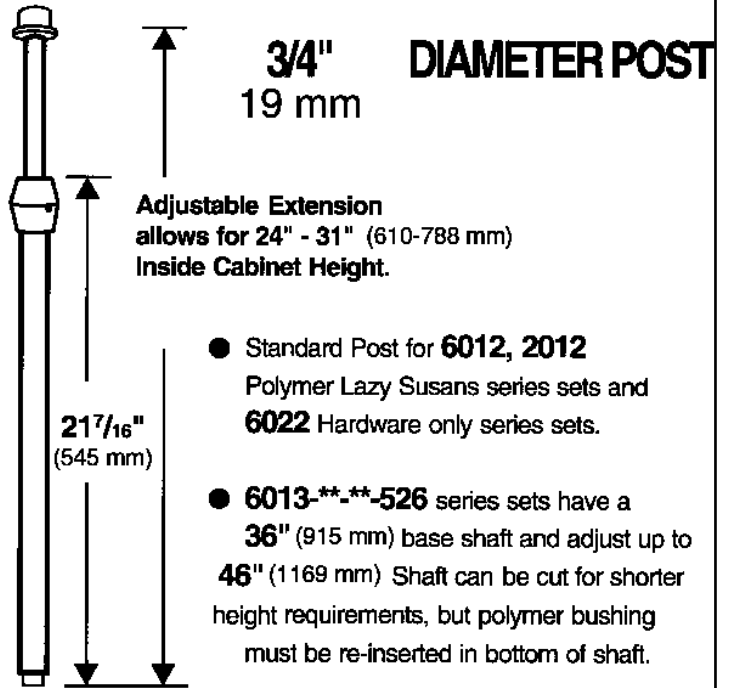
SPECIFICATIONS

HARDWARE PART IDENTIFICATION

6940 SERIES PIE CUT

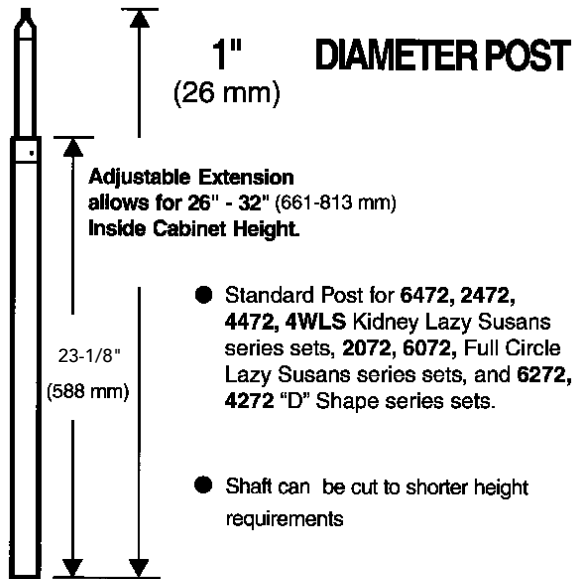


FULL CIRCLE - Dependent Rotating



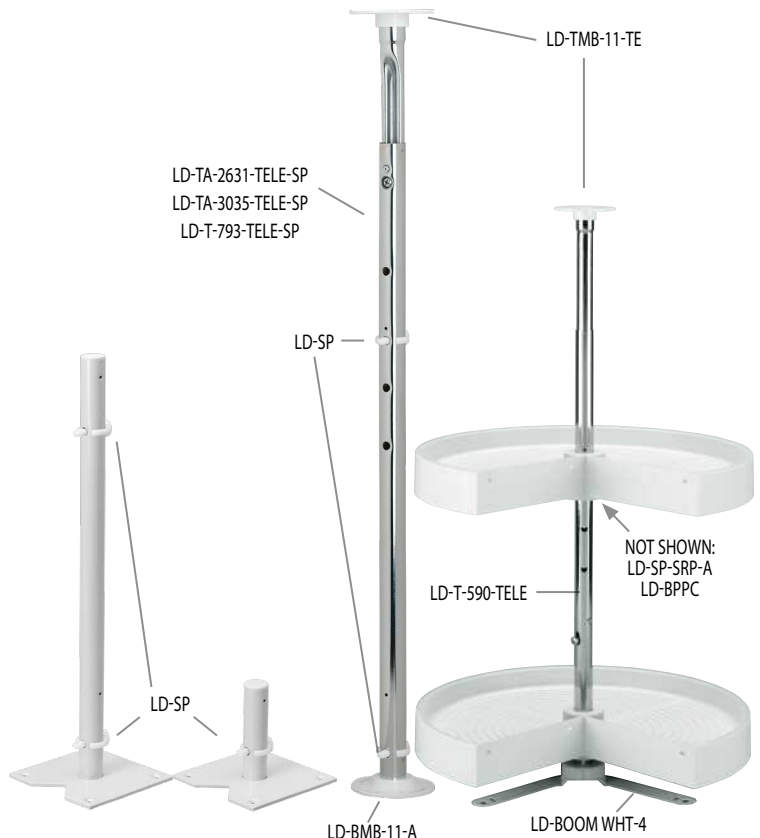
NOTE: Order Part **6000-05-7200-2** for **72"** (1829 mm) "Cut to Size" Post.

FULL CIRCLE/KIDNEY Independently Rotating



NOTE: Order Part # **6370-96-7008-26** for **70 1/2"** (1791 mm) "Cut to Size" Post w/Bushings.

Hardware for Lazy Daisy Polymer

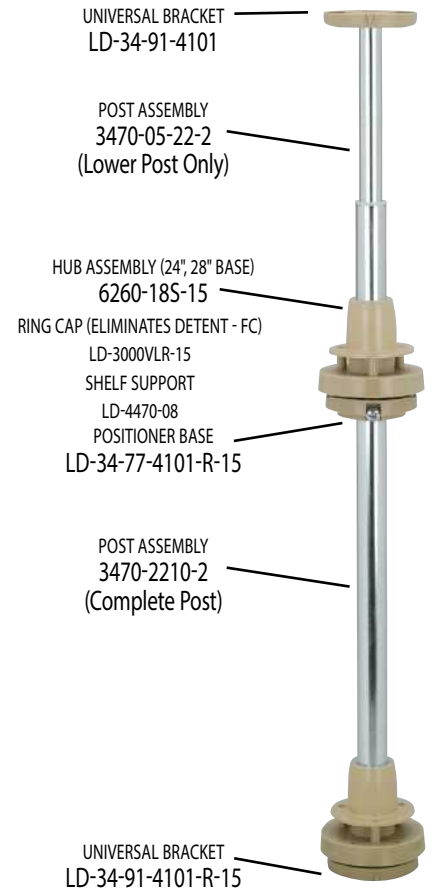
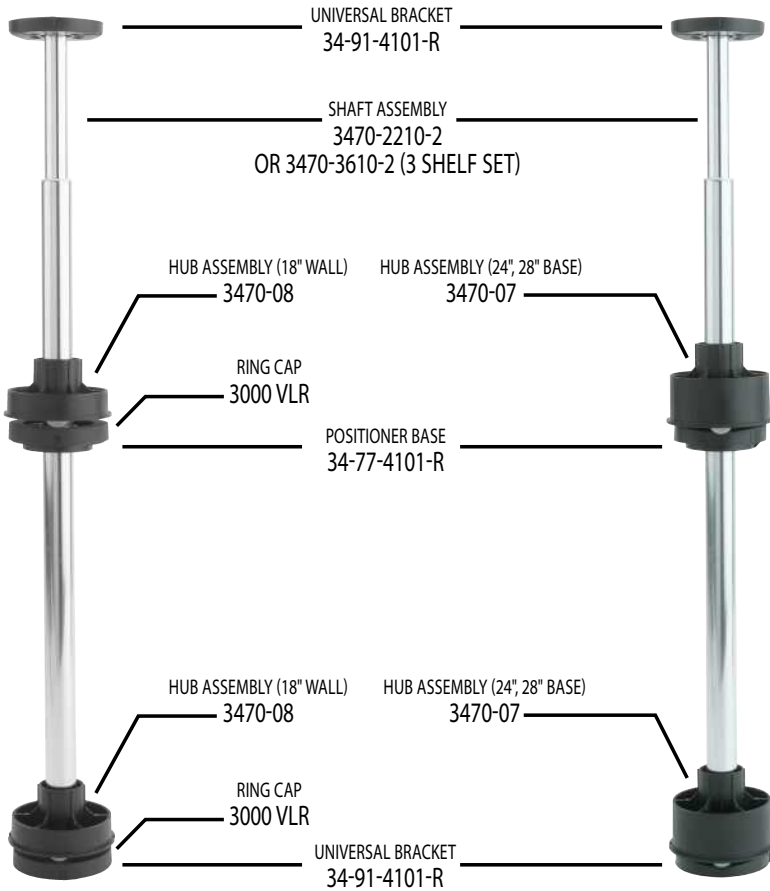


SPECIFICATIONS

HARDWARE KIT PARTS LIST

Hardware for Value Line Trays

Hardware for LD Banded Wood

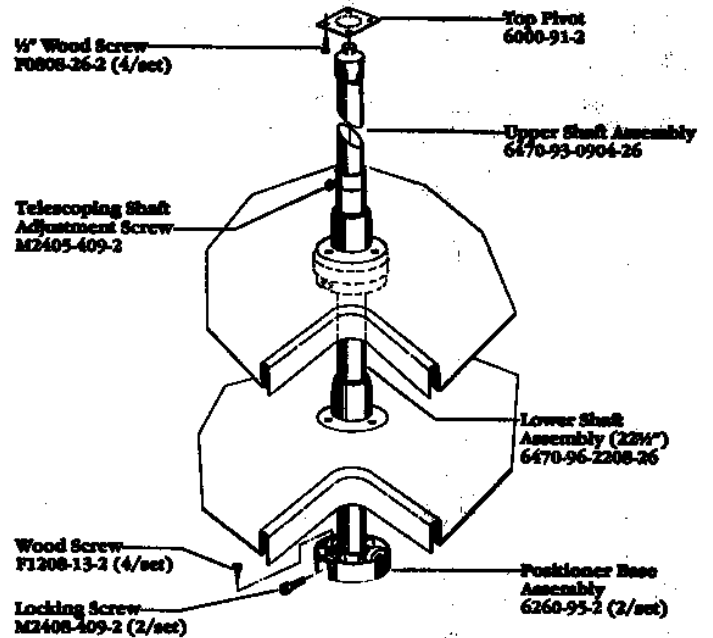
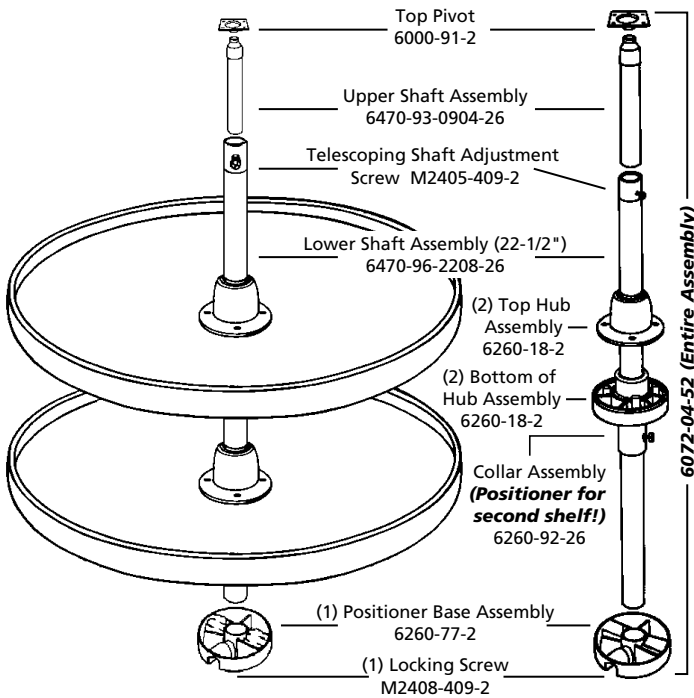


18"/20" FULL CIRCLE HARDWARE


24"/28"/32" FULL CIRCLE/KIDNEY HARDWARE

Hardware for RAS Polymer Trays

Hardware for HWLS/LD-NATURAL







Enhance the appearance and functionality of your home or business with Tresco's energy efficient, low-heat producing, long-life lighting fixtures. Whether you're in the kitchen, millwork, office, laboratory, hospitality, furniture or store fixture industry, you're sure to find a lighting solution in our extensive catalogue of options. A leader in easy-to-install LED lighting, we offer a wide array of puck lights, flex lights, linear lights, and more. We also feature an array of controllers and dimmers, allowing you to tailor the atmosphere of your space. Have a custom application? From art to part, Tresco will design and manufacture a lighting solution based on your specific needs.

LED LIGHTING

Table of Contents



Introduction 409

Puck Lighting 418

- 12VDC**
- Power Pockit® 3W 418
- Power Pockit® 5W 420
- Pockit® Point 422
- 3W EquiLine Puck 424
- 120V**
- Pockit® 120-M 426

Linear Lighting 432

- 12VDC**
- FineLine 2.0 432
- SimpLED 2.0 434
- Eurolinx 436
- Elli® Series 438

Single Color Tape Lighting 440

- 12VDC**
- FlexTape® 440
- EquiLine Tape LED 446
- 12VDC COB FlexTape® 450
- 24VDC**
- 24VDC COB FlexTape® 452

Tunable Tape Lighting 454

- 12VDC**
- 12VDC White Tunable FlexTape® 454
- 24VDC**

- 24VDC White Tunable FlexTape® 455
- 12VDC**
- 12VDC RGB Balance Tunable FlexTape® 458
- 24VDC**
- 24VDC RGB Balance Tunable FlexTape® 459
- 24VDC RGB Standard Tunable FlexTape® 460

Extrusions 464

- Infinex 468

Panel Lighting 470

- 12VDC**
- Etch 470
- 24VDC**
- Snap 474

Components 478

- Power Supplies 478
- Controllers 486
- Install Accessories 500

Battery 504

- Battery**
- Alpha 504
- Fit 504

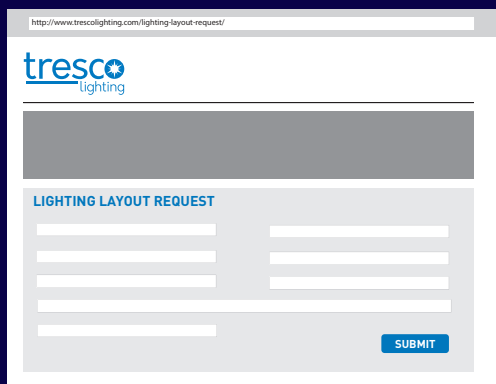


COMPLIMENTARY

Layout Design Services

The increasingly popular application of LED lighting is new to many design professionals. Let our Lighting Layout Assistance Program guide you in specifying the ideal product and wiring schematic for your next residential or commercial project.

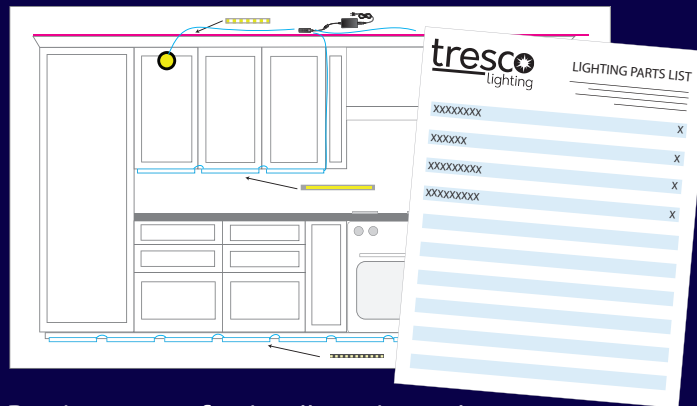
Typical Setup:



Visit: trescolighting.com/layout



Fill out the form and upload your drawings.



Receive your professionally engineered schematic and matching parts list.

GET STARTED TODAY

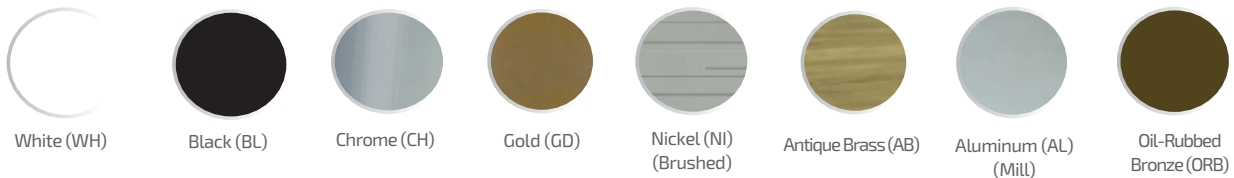


trescolighting.com/layout

Product Information

Product Color Finishes

Tresco's lighting products are available in eight standard color finishes: White, Black, Chrome, Gold, Nickel, Antique Brass, Aluminum and Oil-Rubbed Bronze. Please refer to the individual Product Sections for color availability of each product.



ETL, UL, and QPS-Testing, Inspection and Certification

- ETL is the largest worldwide
- UL is the largest in the USA
- Both are Nationally Recognized Testing Laboratories (NRTL) as recognized by OSHA
- Both are recognized by local inspectors throughout North America
- No mark is better than the other



Tresco Products Tested and Certified for Canada and the United States

ETL or UL marks serve as proof of product compliance to Canadian and U.S. standards. When products bear these marks, this indicates to the consumer that the products have passed a complete and thorough set of tests and certification requirements.



All TRESKO® lighting systems carry UL, ETL or QPS safety certifications. In addition, a majority of our individual lighting components (lights, power supplies, and accessories) are also registered and certified by ETL and/or UL.



UL's Recognized Component Mark

The UL Recognized Component Mark is used on components that are a part of larger products or systems. It is certified by UL to both Canadian and U.S. requirements.

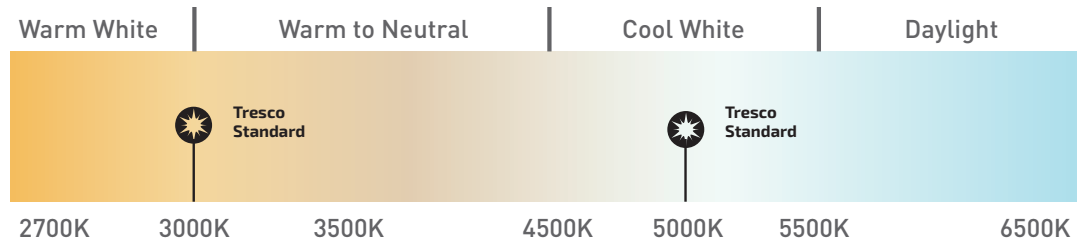


CE Mark

CE Marking permits a product to be sold throughout the European Union. It is a conformity mark noting the product complies with all applicable European Directives.

Color Temperature

Color temperature is the rating a particular color renders on the Kelvin scale. These color temperatures alter how an object or room is perceived when illuminated, and Tresco offers a wide range to choose from. To find the appropriate color temperature for your application, please reference the table below:



2700K Warm White

Recommended for Earth Tones
Mimics Incandescent
Highlights Wood Grains
Primarily for Residential Use
Not Recommended for White



3000K Warm White

Recommended for Earth Tones
Slightly "Whiter" Than Incandescent
Highlights Wood Grains
Primarily for Residential Use
Not Recommended for White



3500K Warm to Neutral

Transitional Between Warm and Cool
Will Equally Highlight Earth Tones and Cool Tones
Recommended for Residential and Commercial Use
Will Give White an Off-White Look



5000K Cool White

Highlights Whites/Blue/Cool Tones
Primarily For Commercial Use
Recommended for White
Not Recommended for Wood Grain/Earth Tones



6500K Daylight

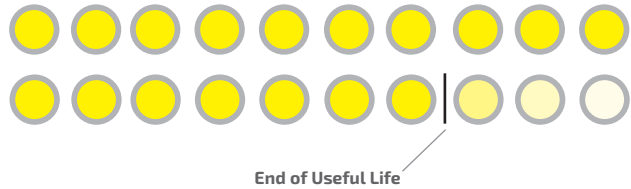
Has Bluish Tint (Sky Color)
Primarily Used for Backlighting/Signs
Not Recommended for Residential Use

Lighting 101

Diode Life:

LEDs fade as opposed to abruptly burning out. "End of Life" refers to the number of hours until the LED has completely faded out, although it will have been too dim to use for many hours leading up until that point. "Useful Life", on the other hand, refers to the number of hours until the LED reaches 70% of its initial light output, which is a much more practical indicator for the consumer (defined as L70).

50,000 Hours = 17 Years (8 hours a day)



Color Consistency:

LEDs, as a natural result of the manufacturing process, have inconsistent color from one diode to the next. Top brand LED suppliers, like the ones used by Tresco, combat this by means of a process known as "binning" - inspecting each individual diode and matching them to ensure consistency.



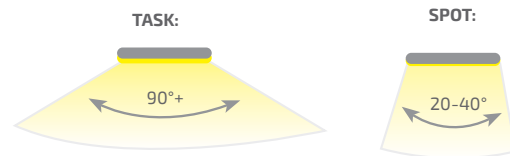
Lumen Output:

Lumen is the measure of visible light output emitted from a fixture. For under cabinet lighting, where the goal is to illuminate a workspace to perform specific tasks, the brighter, the better. For soffit, toe kick or other accent lighting, a moderate output is better.



Beam Spreads:

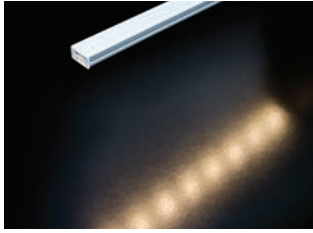
Using puck lights with tight beam spreads under wall cabinets can create unsightly dark spots on the backsplash between lights. Beam spreads of 90 degrees or greater will reduce the dark spots. For spotlight applications, such as in-cabinet or display lighting, a beam spread of 20-40 degrees is desirable.



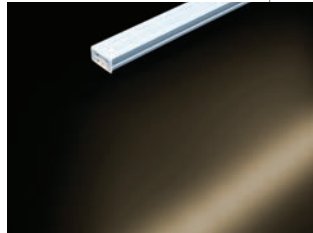
What is Luniform?



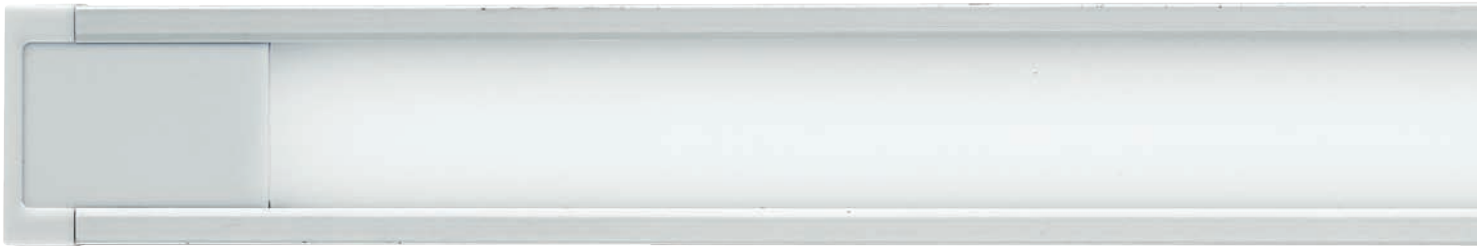
luniform (loo-nuh-fawrm) n.
The technology to eliminate "dotted" appearances and reduce unwanted glare within light emitting diode fixtures.



"Dotted" appearance



Luniform



Eurolinx

Secondary Optics

Secondary optics are lighting components uniquely designed to diffuse LED diodes and reduce glare, such as special lenses and proprietary films.

Diode Technology

Diode technology allows for up to 10X the amount of LED diodes on a single circuit board or substrate, resulting in greater light output and a uniform beam spread.



Power Pockit® 5W



Quality

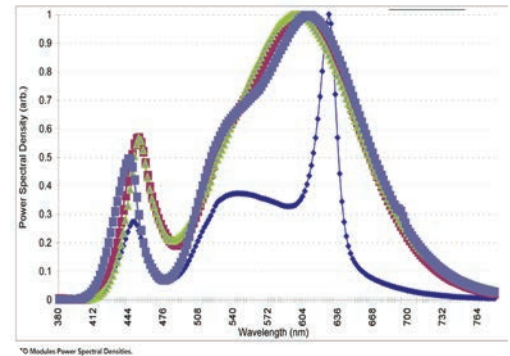
Superior components ensure Tresco® lights are brighter and wider light spread than the competition. We use world-renowned suppliers who employ static and dust-free clean rooms, proper binning, and use of high-grade phosphors to achieve efficiency, high lumen and color consistency.

When it comes to LED, the diode makes the difference. That is why we use brands like Nichia and Cree.



Independent Testing

We don't just say our lights are better — we prove it. Independent testing certification available for TM21, LM80, and LM79 photometrics to provide specification charts. Charts are printed next to our lights for proper specification of our products.

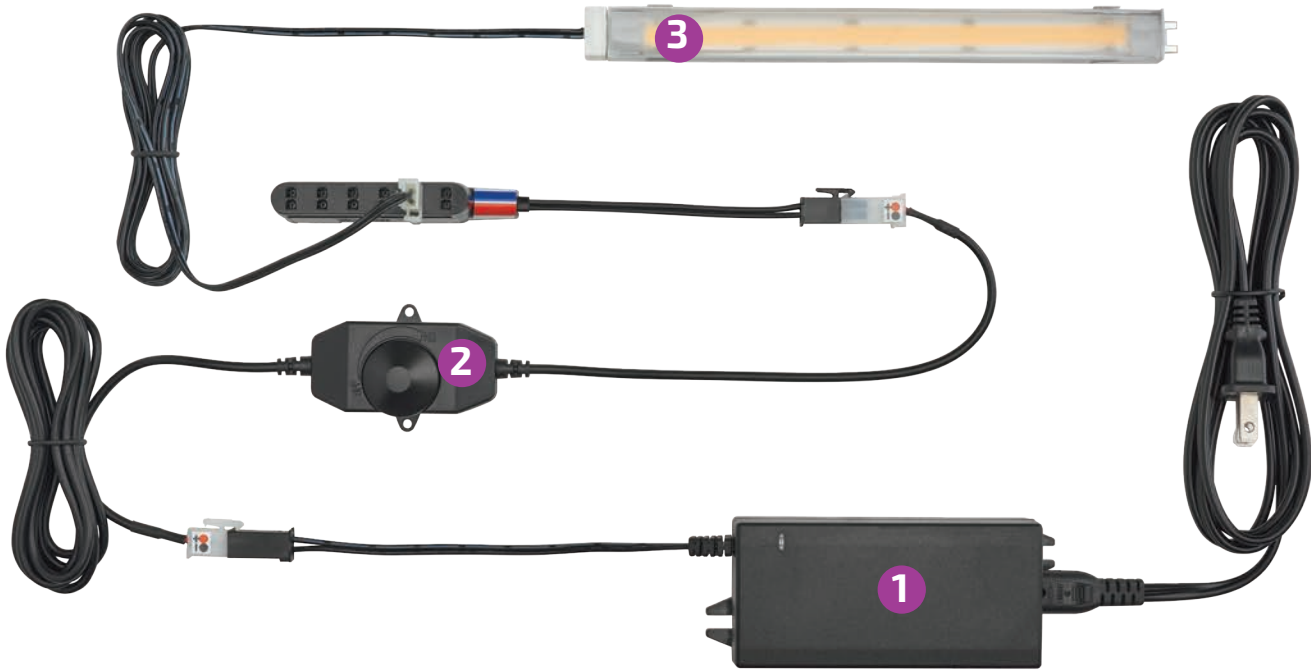


Safety Listings

At Tresco®, safety is a top priority. All of our products carry UL, ETL or QPS safety certifications for the United States and Canada.

CE marking permits a product to be sold throughout the European Union. It is a conformity mark noting the product complies with all applicable European directives.





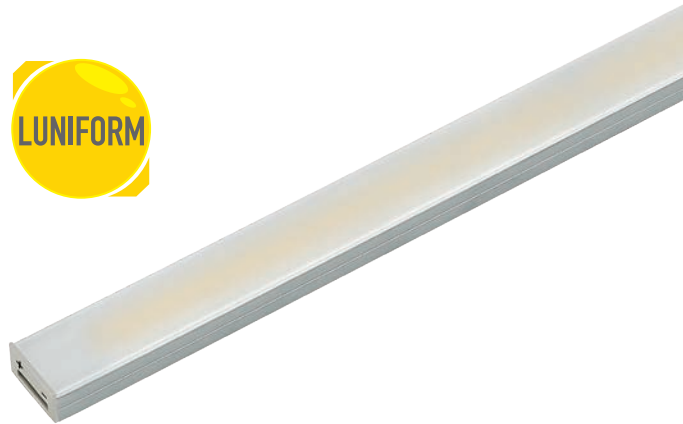
We Make Lighting Easy

Easy as 1 - 2 - 3.

- 1) Universal power supply
- 2) Controller connects to the power supply
- 3) Light fixture connects to the controller

Universal System

Tresco®'s in-house design and manufacturing teams create LED lights to work with one power source. Other products require different power supplies for different lights, but Tresco®'s LED lights are designed to work with a single 12VDC or 24VDC power supply. No more wiring nightmares.



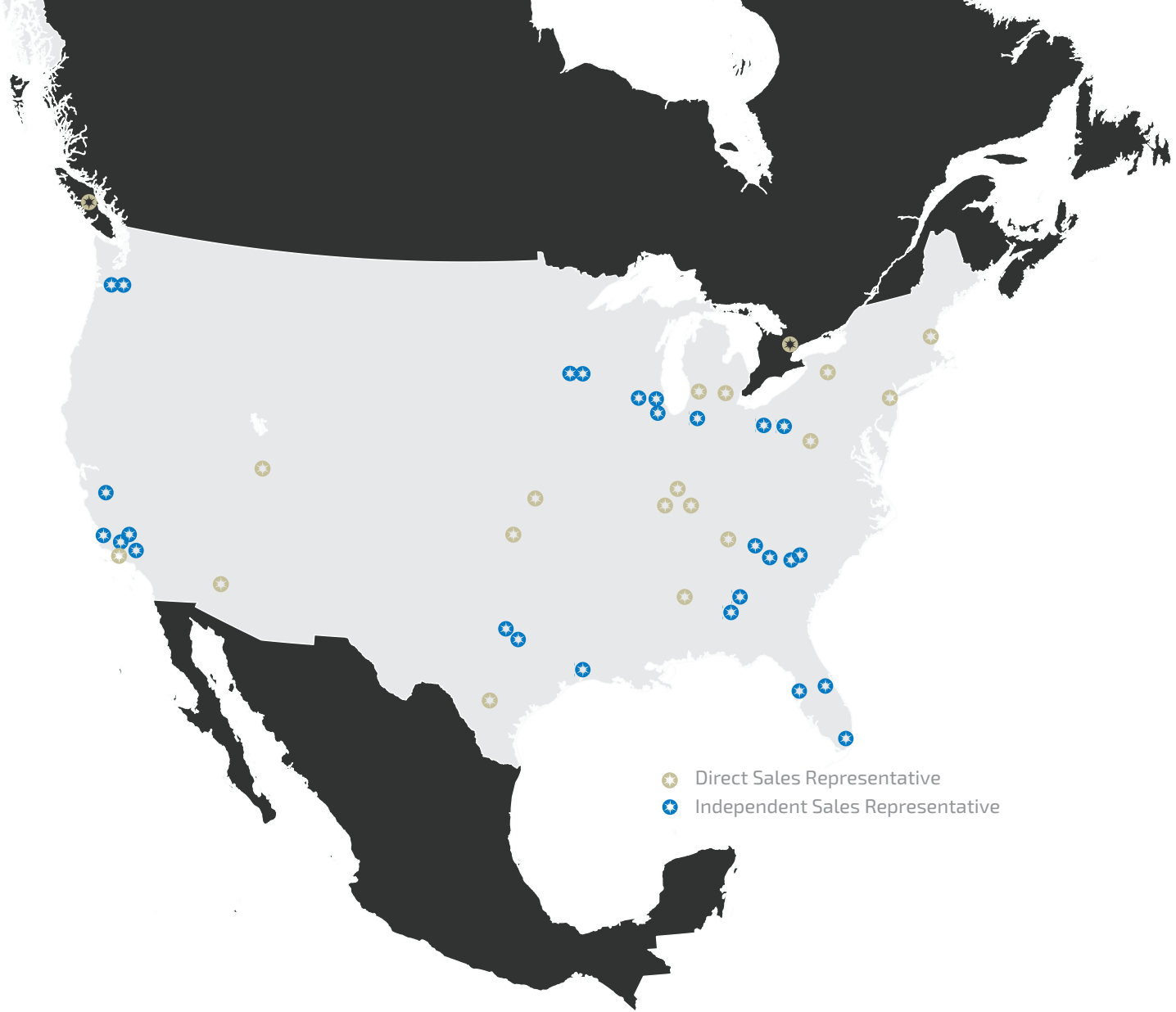
In-House Design

We are not your typical lighting company. From art to part, we design and manufacture custom lighting solutions based on your specific needs.

Luniform

Luniform is the technology to eliminate "dotted" appearances and reduce unwanted glare within light emitting diode fixtures.

See Page 413 for more info.



Distribution Network

Tresco® products are stocked with over 100 distributors in North America, giving you same day or next day delivery.

OEM Network

Our OEM network includes some of the largest and most respected manufacturers in the business. This helps us achieve economies of scale that result in cost savings for you.

Our Team

Representatives from the Tresco® Lighting Sales and Customer Service teams are in the field and ready to help you find the right product for your application.

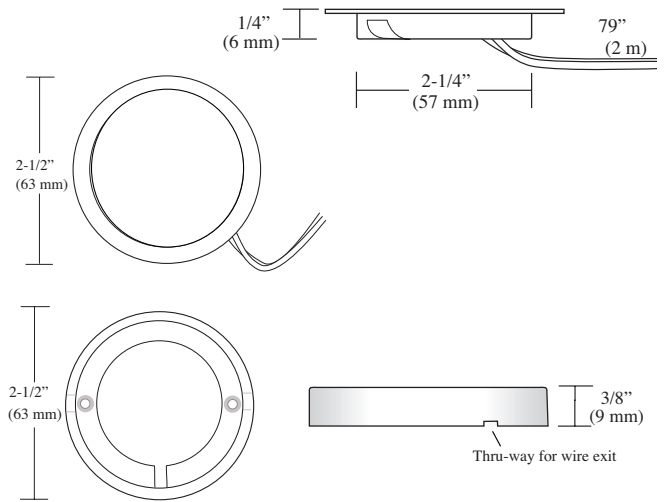
Power Pockit® 3W

12VDC

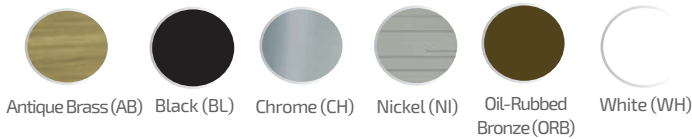
3W	234 Lumens	120°
<p>The Power Pockit® 3W is a versatile choice offering flood and task lighting that can be used for interior cabinets, under cabinets and store displays. This 3W energy efficient LED provides a crisp, uniform wash over illuminated objects.</p>		



Dimensions:



Available Finishes:

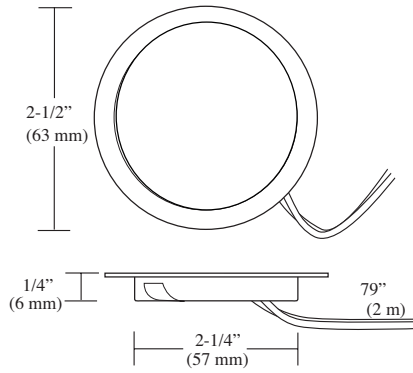


Specifications:

Wattage	Lumens	Efficacy (lm/W)	Input Voltage	Diode Life	Max Per 60W Power Supply	Mounting	Warranty	Beam Angle	
3W	234	78	12VDC	50,000 Hours	20 Fixtures	Recess/ Surface	5 Year	120°	
Photometric Data					Color Temperature				
	Height	Light Output	Beam Area						
	1ft (.3 m)	81.30Fc (875.1lx)	3.1ft L x 3.1ft W (1 m L x 1 m W)		2700K	3000K	4500K	5500K	6500K
	3ft (.9 m)	9.03Fc (97.2lx)	9.2ft L x 9.2ft W (2.8 m L x 2.8 m W)		▲ Warm (3000K)	▲ Neutral (3500K)	▲ Cool (5000K)		
6ft (1.8 m)	2.26Fc (24.3lx)	18.4ft L x 18.4ft W (5.6 m L x 5.6 m W)							
L-POC-3LEDSFR-C Tested									

● 12VDC 3W Power Pockit® Series

● Required
● Optional



Part #	Description	SLP
L-POC-3LEDSFR-CAB-1	3W 5000K Antique Brass LED Pockit® Light	\$89.80
L-POC-3LEDSFR-CBL-1	3W 5000K Black LED Pockit® Light	\$89.80
L-POC-3LEDSFR-CCH-1	3W 5000K Chrome LED Pockit® Light	\$89.80
L-POC-3LEDSFR-CNI-1	3W 5000K Nickel LED Pockit® Light	\$89.80
L-POC-3LEDSFR-CWH-1	3W 5000K White LED Pockit® Light	\$89.80
L-POC-3LEDSFR-NNI-1	3W 3500K Nickel LED Pockit® Light	\$89.80
L-POC-3LEDSFR-NBL-1	3W 3500K Black LED Pockit® Light	\$89.80
L-POC-3LEDSFR-WAB-1	3W 3000K Antique Brass LED Pockit® Light	\$89.80
L-POC-3LEDSFR-WBL-1	3W 3000K Black LED Pockit® Light	\$89.80
L-POC-3LEDSFR-WCH-1	3W 3000K Chrome LED Pockit® Light	\$89.80
L-POC-3LEDSFR-WNI-1	3W 3000K Nickel LED Pockit® Light	\$89.80
L-POC-3LEDSFR-WORB-1	3W 3000K Oil-Rubbed Bronze LED Pockit® Light	\$89.80
L-POC-3LEDSFR-WWH-1	3W 3000K White LED Pockit® Light	\$89.80

● 12VDC Power Supplies



Part #	Description	SLP
L-DC-ELT18-CON-1	18W 12VDC Power Supply w/6 Snap Mounting Block*	\$66.40
L-DC-SLELT30-1	30W 12VDC Power Supply w/6 Snap Mounting Block*	\$88.40
L-DC-SLELT60-1	60W 12VDC Power Supply w/6 Snap Mounting Block*	\$114.45
L-DC-ELT6WP-CON-1	6W 12VDC Wall Mount Power Supply w/3 Snap Block*	\$29.35
L-DC-ELT15WP-CON-1	15W 12VDC Wall Mount Power Supply w/6 Snap Block*	\$37.85
L-DC-EQ30-1	30W 12VDC Equiline Power Supply w/6 Snap Block*	\$61.65
L-DC-EQ60-1	60W 12VDC Equiline Power Supply w/6 Snap Block*	\$78.95
L-DCE30D-CON-1	30W 12VDC Hardwire Dimmable LED Power Supply†	\$114.30
L-DCE60D-CON-1	60W 12VDC Hardwire Dimmable LED Power Supply†	\$181.55
L-12DCH60X1-1	60W 12VDC Commercial/Industrial Metal Hardwire Dimmable Power Supply‡	\$181.80
L-12DCH60X3-1	180W 12VDC Commercial/Industrial Metal Hardwire Dimmable Power Supply‡	\$399.75

* Dimmable on trailing edge (12VDC side). Mounting block and power cord are included.

† Dimmable by LED line voltage (120V) wall dimmers. Mounting block included.

‡ Dimmable by LED line voltage (120V) wall dimmers. Mounting block not included

All hardwire power supplies require an electrician for install.



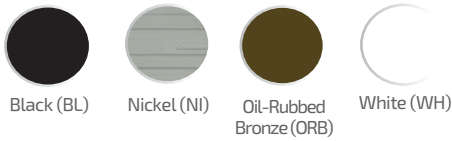
COMPONENTS: POWER SUPPLIES, CONTROLLERS & MORE SEE PAGE 478.


Power Pockit® 5W

12VDC



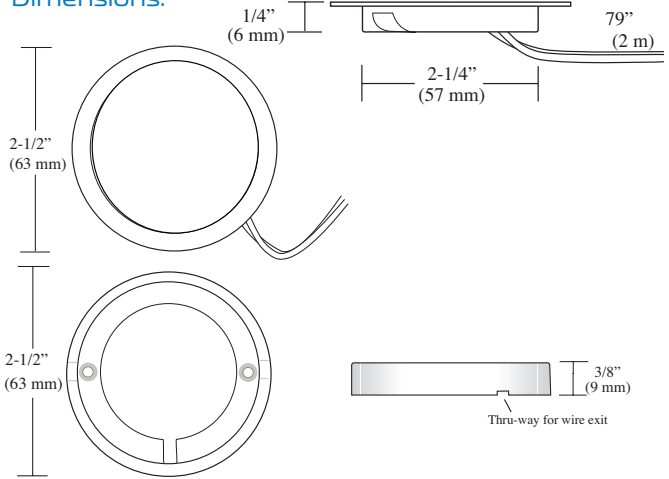
Available Finishes:




5W	290 Lumens	
<p>The next generation of Power Pockit® is an astounding 25% more output than our original industry leading 3W version. With Luniform technology, 290 lumens of light are evenly distributed and eliminate the "dotted" appearance on surfaces. At only 1/4" (6 mm) depth, the Power Pockit® 5W has the the maximum illumination required in a small package.</p>		



Dimensions:



Specifications:

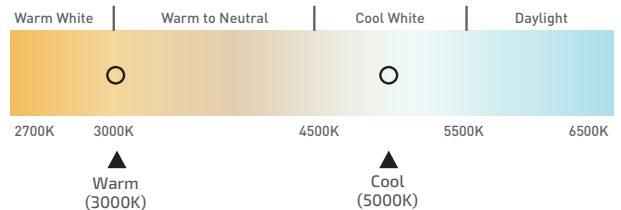
Wattage	Lumens	Efficacy (lm/W)	Input Voltage	Diode Life	Max Per 60W Power Supply	Mounting	Warranty	Beam Angle
5W	290	58	12VDC	50,000 Hours	12 Fixtures	Recess/ Surface	5 Year	

Photometric Data

Height	Light Output	Beam Area
1ft (.3 m)	115.90Fc (1247.5lx)	2.4ft L x 2.5ft W (.73 m L x .76 m W)
3ft (.9 m)	12.88Fc (138.6lx)	7.3ft L x 7.4ft W (2.2 m L x 2.3 m W)
6ft (1.8 m)	3.22Fc (34.7lx)	14.6ft L x 14.8ft W (4.5 m L x 4.5 m W)

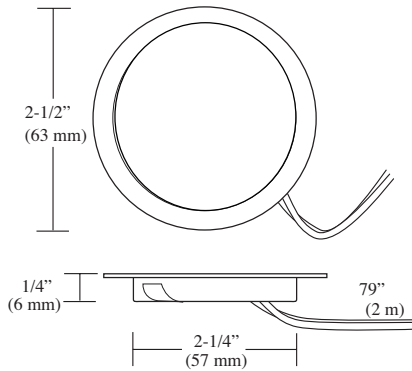
L-POC-SLED-C Tested

Color Temperature

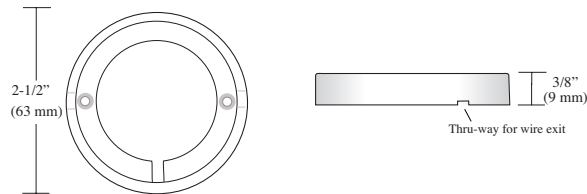


● Required
● Optional

● 12VDC 5W Power Pockit®



Surface Mount Ring is included with each light.



Part #	Description	SLP
L-POC-5LEDSCL-CBL-1	5W 5000K Black LED Pockit® Light	\$95.75
L-POC-5LEDSCL-CNI-1	5W 5000K Nickel LED Pockit® Light	\$95.75
L-POC-5LEDSCL-CWH-1	5W 5000K White LED Pockit® Light	\$95.75
L-POC-5LEDSCL-WBL-1	5W 3000K Black LED Pockit® Light	\$95.75
L-POC-5LEDSCL-WNI-1	5W 3000K Nickel LED Pockit® Light	\$95.75
L-POC-5LEDSCL-WORB-1	5W 3000K Oil-Rubbed Bronze LED Pockit® Light	\$95.75
L-POC-5LEDSCL-WWH-1	5W 3000K White LED Pockit® Light	\$95.75

2-1/4" (57 mm) hole required for recessed mounting.
Power Pockit® includes Surface Mount Ring, AMP® Connector, and 79" (2 m) input lead.

● 12VDC Power Supplies



Part #	Description	SLP
L-DC-ELT18-CON-1	18W 12VDC Power Supply w/6 Snap Mounting Block*	\$66.40
L-DC-SLELT30-1	30W 12VDC Power Supply w/6 Snap Mounting Block*	\$88.40
L-DC-SLELT60-1	60W 12VDC Power Supply w/6 Snap Mounting Block*	\$114.45
L-DC-ELT6WP-CON-1	6W 12VDC Wall Mount Power Supply w/3 Snap Block*	\$29.35
L-DC-ELT15WP-CON-1	15W 12VDC Wall Mount Power Supply w/6 Snap Block*	\$37.85
L-DC-EQ30-1	30W 12VDC Equiline Power Supply w/6 Snap Block*	\$61.65
L-DC-EQ60-1	60W 12VDC Equiline Power Supply w/6 Snap Block*	\$78.95
L-DCE30D-CON-1	30W 12VDC Hardwire Dimmable LED Power Supply†	\$114.30
L-DCE60D-CON-1	60W 12VDC Hardwire Dimmable LED Power Supply†	\$181.55
L-12DCH60X1-1	60W 12VDC Commercial/Industrial Metal Hardwire Dimmable Power Supply‡	\$181.80
L-12DCH60X3-1	180W 12VDC Commercial/Industrial Metal Hardwire Dimmable Power Supply‡	\$399.75

* Dimmable on trailing edge (12VDC side). Mounting block and power cord are included.
† Dimmable by LED line voltage (120V) wall dimmers. Mounting block included.
‡ Dimmable by LED line voltage (120V) wall dimmers. Mounting block not included.
All hardwire power supplies require an electrician for install.



COMPONENTS: POWER SUPPLIES, CONTROLLERS & MORE SEE PAGE 478.

Pockit[®] Point

12VDC

1W

69 Lumens

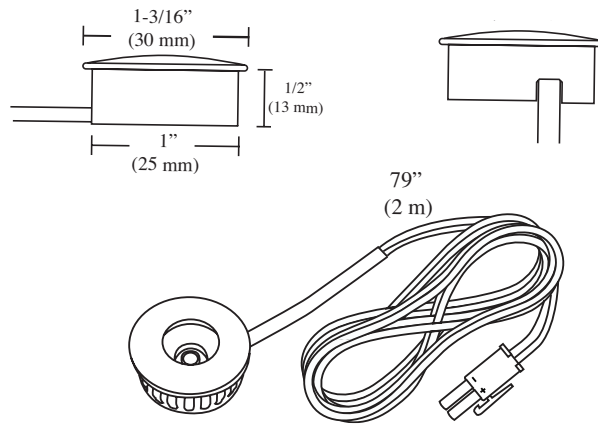


1W Pockit[®] Point is the smallest LED spotlight on the market. Its small diameter and focused light are perfect for highlighting items in tight spaces.

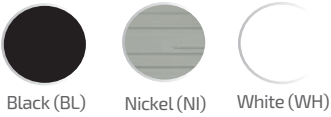
The Pockit[®] Point features a very low profile with a recess depth of only 1/2" (13 mm), a collar spring for quick recessing and a 79" (2 m) starter cord attached with a loose AMP[®] connector for easier wire routing.



Dimensions:



Available Finishes:

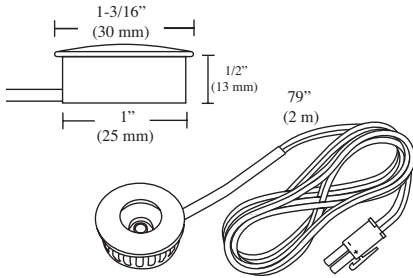


Specifications:

Wattage	Lumens	Efficacy (lm/W)	Input Voltage	Diode Life	Max Per 60W Power Supply	Mounting	Warranty	Beam Angle
1W	69	69	12VDC	30,000 Hours	50 Fixtures	Recess	1 Year	90°
Photometric Data					Color Temperature			
	Height	Light Output	Beam Area					
	1ft (.3 m)	37.60Fc (404.7lx)	19ft L x 1.9ft W (.58 m L x .58 m W)					
	3ft (.9 m)	4.18Fc (45lx)	5.8ft L x 5.8ft W (1.8 m L x 1.8 m W)					
6ft (1.8 m)	1.04Fc (11.2lx)	11.6ft L x 11.5ft W (3.5 m L x 3.5 m W)						
L-LED-1EB-C Tested								

● Required
● Optional

● 12VDC Pockit® Point LED Series



Part #	Description	SLP
L-LED-1EB-CBL-1	1W 12VDC Pockit® Point, 5000K, Black	\$52.55
L-LED-1EB-CNI-1	1W 12VDC Pockit® Point, 5000K, Nickel	\$52.55
L-LED-1EB-CWH-1	1W 12VDC Pockit® Point, 5000K, White	\$52.55
L-LED-1EB-WBL-1	1W 12VDC Pockit® Point, 3000K, Black	\$52.55
L-LED-1EB-WNI-1	1W 12VDC Pockit® Point, 3000K, Nickel	\$52.55
L-LED-1EB-WWH-1	1W 12VDC Pockit® Point, 3000K, White	\$52.55

1" (25 mm) hole required for recessed mounting.
Collar Spring, 79" (2 m) Starter Cord, and AMP® Connector are included with each light.

● 12VDC Power Supplies



Part #	Description	SLP
L-DC-ELT18-CON-1	18W 12VDC Power Supply w/6 Snap Mounting Block*	\$66.40
L-DC-SLELT30-1	30W 12VDC Power Supply w/6 Snap Mounting Block*	\$88.40
L-DC-SLELT60-1	60W 12VDC Power Supply w/6 Snap Mounting Block*	\$114.45
L-DC-ELT6WP-CON-1	6W 12VDC Wall Mount Power Supply w/3 Snap Block*	\$29.35
L-DC-ELT15WP-CON-1	15W 12VDC Wall Mount Power Supply w/6 Snap Block*	\$37.85
L-DC-EQ30-1	30W 12VDC Equiline Power Supply w/6 Snap Block*	\$61.65
L-DC-EQ60-1	60W 12VDC Equiline Power Supply w/6 Snap Block*	\$78.95
L-DCE30D-CON-1	30W 12VDC Hardwire Dimmable LED Power Supply†	\$114.30
L-DCE60D-CON-1	60W 12VDC Hardwire Dimmable LED Power Supply†	\$181.55
L-12DCH60X1-1	60W 12VDC Commercial/Industrial Metal Hardwire Dimmable Power Supply‡	\$181.80
L-12DCH60X3-1	180W 12VDC Commercial/Industrial Metal Hardwire Dimmable Power Supply‡	\$399.75

* Dimmable on trailing edge (12VDC side). Mounting block and power cord are included.
 † Dimmable by LED line voltage (120V) wall dimmers. Mounting block included.
 ‡ Dimmable by LED line voltage (120V) wall dimmers. Mounting block not included
 All hardwire power supplies require an electrician for install.



COMPONENTS: POWER SUPPLIES, CONTROLLERS & MORE SEE PAGE 478.

Economy Series

12VDC

3W EquiLine Puck

3W

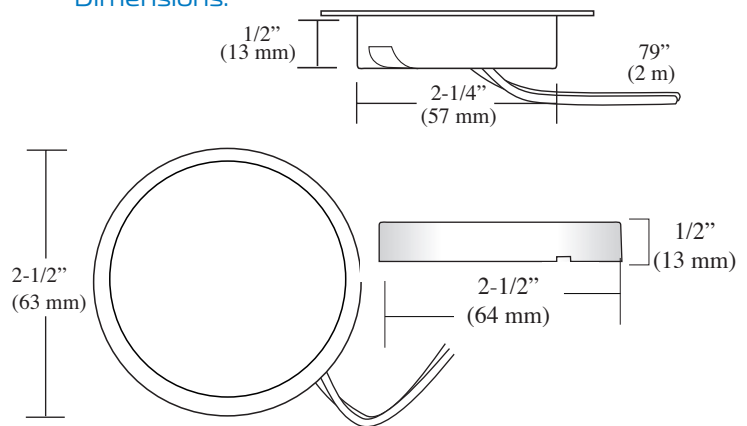
218 Lumens



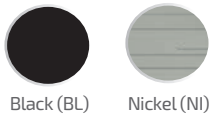
With recessed or surface mount ability, EquiLine LED Pucks are perfect for use in a wide range of applications. Designed for the economically conscious, they feature a slim profile and a 79" (2 m) starter cord attached with an unattached AMP® connector for easy wire routing.



Dimensions:



Available Finishes:

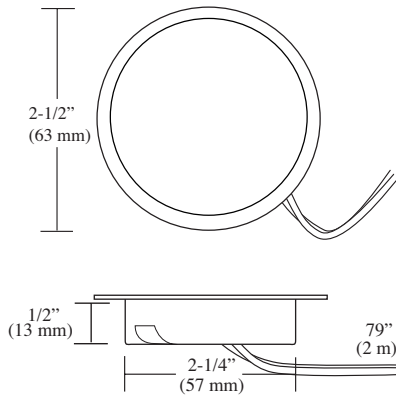


Specifications:

Wattage	Lumens	Efficacy (lm/W)	Input Voltage	Diode Life	Max Per 60W Power Supply	Mounting	Warranty	Beam Angle	
3W	218	73	12VDC	25,000 Hours	20 Fixtures	Recess/ Surface	2 Year	100°	
Photometric Data					Color Temperature				
	Height	Light Output	Beam Area						
	1ft (.3 m)	89.00Fc (958lx)	2ft diameter (.6 m diameter)		2700K	3000K	4500K	5500K	6500K
	3ft (.9 m)	9.89Fc (106.5lx)	7ft diameter (2.1 m diameter)		<p>Warm (3000K)</p>		<p>Cool (5000K)</p>		
6ft (1.8 m)	2.47Fc (26.6lx)	14ft diameter (4.3 m diameter)							
L-POC-3EQFR-C Tested									

● Required
● Optional

● 12VDC EquiLine Puck Light



Part #	Description	SLP
L-POC-3EQFR-CBL-1	3W EquiLine Puck 5000K - Black	\$35.50
L-POC-3EQFR-CNI-1	3W EquiLine Puck 5000K - Nickel	\$35.50
L-POC-3EQFR-WBL-1	3W EquiLine Puck 3000K - Black	\$35.50
L-POC-3EQFR-WNI-1	3W EquiLine Puck 3000K - Nickel	\$35.50

2-1/4" (57 mm) hole required for recessed mounting.
EquiLine includes starter cord 79" (2 m) and AMP® Connector with each light.
Surface mount ring sold separately.

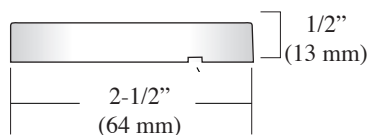
● 12VDC Power Supplies



Part #	Description	SLP
L-DC-ELT18-CON-1	18W 12VDC Power Supply w/6 Snap Mounting Block*	\$66.40
L-DC-SLELT30-1	30W 12VDC Power Supply w/6 Snap Mounting Block*	\$88.40
L-DC-SLELT60-1	60W 12VDC Power Supply w/6 Snap Mounting Block*	\$114.45
L-DC-ELT6WP-CON-1	6W 12VDC Wall Mount Power Supply w/3 Snap Block*	\$29.35
L-DC-ELT15WP-CON-1	15W 12VDC Wall Mount Power Supply w/6 Snap Block*	\$37.85
L-DC-EQ30-1	30W 12VDC Equiline Power Supply w/6 Snap Block*	\$61.65
L-DC-EQ60-1	60W 12VDC Equiline Power Supply w/6 Snap Block*	\$78.95
L-DCE30D-CON-1	30W 12VDC Hardwire Dimmable LED Power Supply†	\$114.30
L-DCE60D-CON-1	60W 12VDC Hardwire Dimmable LED Power Supply†	\$181.55
L-12DCH60X1-1	60W 12VDC Commercial/Industrial Metal Hardwire Dimmable Power Supply‡	\$181.80
L-12DCH60X3-1	180W 12VDC Commercial/Industrial Metal Hardwire Dimmable Power Supply‡	\$399.75

* Dimmable on trailing edge (12VDC side). Mounting block and power cord are included.
† Dimmable by LED line voltage (120V) wall dimmers. Mounting block included.
‡ Dimmable by LED line voltage (120V) wall dimmers. Mounting block not included.
All hardwire power supplies require an electrician for install.

● 12VDC EquiLine Puck Surface Ring



Part #	Description	SLP
L-SMR-2LED-BL-1	EquiLine Puck Surface Ring Black	\$5.80
L-SMR-2LED-NI-1	EquiLine Puck Surface Ring Nickel	\$5.80



COMPONENTS: POWER SUPPLIES, CONTROLLERS & MORE SEE PAGE 478.

Pockit® 120-M

120V

4W

270 Lumens



The Pockit® 120-M is the next generation of our popular Pockit® 120 linkable series. Featuring a smaller size, each fixture has a built-in dimmable driver and the commercial grade, all-metal construction provides optimal heatsinking with more than double the light output of the original Pockit® 120-L. No external power supply needed, just plug in and start linking away!



Available Finishes:



Black (BL)

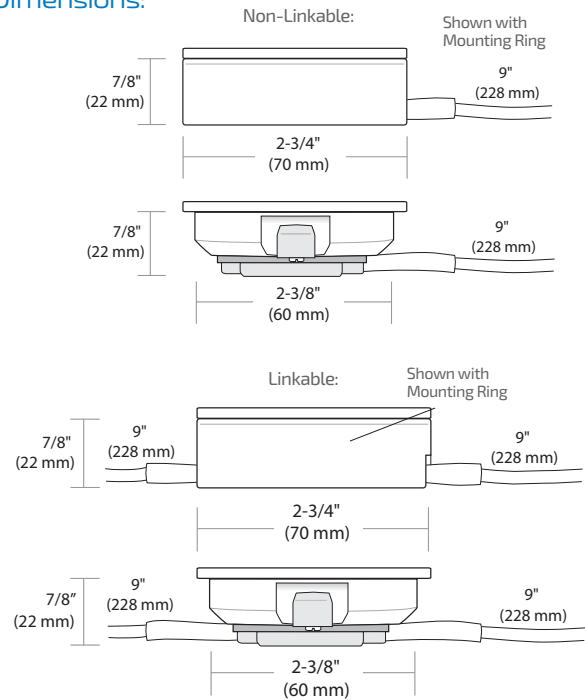


Nickel (NI)



White (WH)

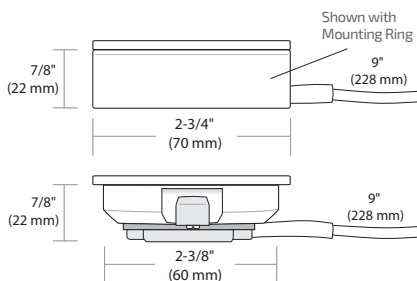
Dimensions:



Specifications: Dimmable up to 50%

Wattage	Lumens	Efficacy (lm/W)	Input Voltage	Diode Life	Max Continuous Run	Mounting	Warranty	Beam Angle
4W	270	67.5	120V	30,000 Hours	45 Fixtures	Recess/Surface	3 Year	100°
Photometric Data					Color Temperature			
	Height	Light Output	Beam Area					
	1ft (.3m)	110.5Fc (1189.4lx)	2.3ft L x 2.3ft W (.7 m L x .7 m W)		Warm White (3000K) Warm to Neutral Cool White (5000K) Daylight (6500K)			
	3ft (.9m)	12.28Fc (132.2lx)	6.9ft L x 6.9ft W (2.1 m L x 2.1 m W)					
6ft (1.8m)	3.07Fc (33.0lx)	13.9ft L x 13.8ft W (4.2 m L x 4.2 m W)						
L-MPOC-4W-120NL-C Tested								

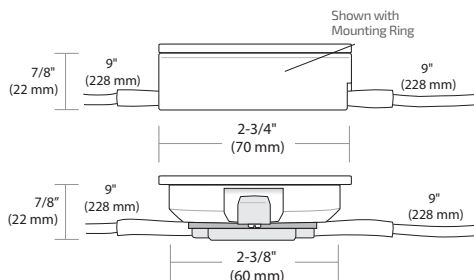
● 120V Pockit® 120-M-Non-Linkable



Part #	Description	SLP
L-MPOC-4W-120NL-CBL-1	120V Pockit® 120-M Non-Linkable, Cool, Black	\$77.85
L-MPOC-4W-120NL-CNI-1	120V Pockit® 120-M Non-Linkable, Cool, Nickel	\$77.85
L-MPOC-4W-120NL-CWH-1	120V Pockit® 120-M Non-Linkable, Cool, White	\$77.85
L-MPOC-4W-120NL-WBL-1	120V Pockit® 120-M Non-Linkable, Warm, Black	\$77.85
L-MPOC-4W-120NL-WNI-1	120V Pockit® 120-M Non-Linkable, Warm, Nickel	\$77.85
L-MPOC-4W-120NL-WWH-1	120V Pockit® 120-M Non-Linkable, Warm, White	\$77.85

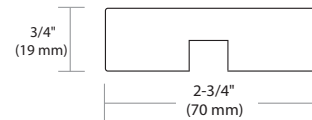
2-3/8" (60 mm) hole required for recessing.
Surface mount ring included with each light.
Dimmable to 50% by standard LED wall dimmers.

● 120V Pockit® 120-M-Linkable

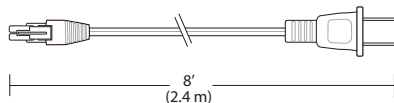


Part #	Description	SLP
L-MPOC-4W-120L-CBL-1	120V Pockit® 120-M Linkable, Cool, Black	\$77.85
L-MPOC-4W-120L-CNI-1	120V Pockit® 120-M Linkable, Cool, Nickel	\$77.85
L-MPOC-4W-120L-CWH-1	120V Pockit® 120-M Linkable, Cool, White	\$77.85
L-MPOC-4W-120L-WBL-1	120V Pockit® 120-M Linkable, Warm, Black	\$77.85
L-MPOC-4W-120L-WNI-1	120V Pockit® 120-M Linkable, Warm, Nickel	\$77.85
L-MPOC-4W-120L-WWH-1	120V Pockit® 120-M Linkable, Warm, White	\$77.85

2-3/8" (60 mm) hole required for recessing.
Surface mount ring included with each light.
Dimmable to 50% by standard LED wall dimmers.

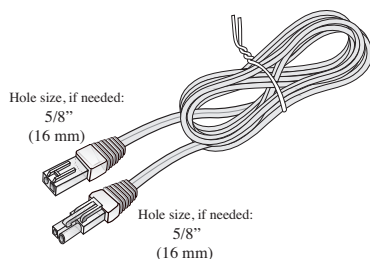


● 120V Pockit® 120-M Starter Cord



Part #	Description	SLP
L-MPOC-PKT8-BL-1	120V Pockit® 120-M, 8 ft. (2.4 m) Starter Cord, Black	\$11.60
L-MPOC-PKT8-WH-1	120V Pockit® 120-M, 8 ft. (2.4 m) Starter Cord, White	\$11.60

● 120V Link Cord/Extension

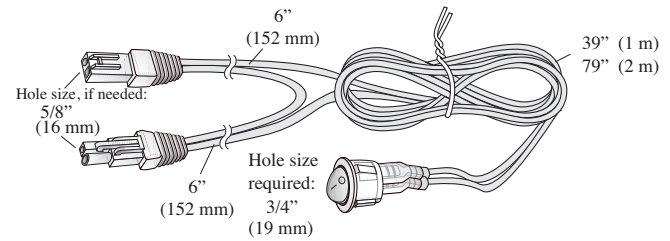
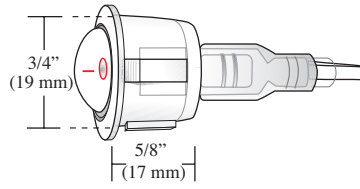
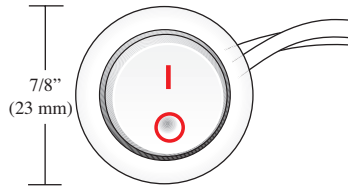


Part #	Description	SLP
L-FPOC-LINKA-25-BL-1	10" (25 cm) Black Pockit® 120-L/M Linking Cord	\$3.45
L-FPOC-LINKA-25-WH-1	10" (25 cm) White Pockit® 120-L/M Linking Cord	\$3.45
L-FPOC-LINKA-60-BL-1	24" (60 cm) Black Pockit® 120-L/M Linking Cord	\$4.50
L-FPOC-LINKA-60-WH-1	24" (60 cm) White Pockit® 120-L/M Linking Cord	\$4.50
L-FPOC-LINKA-120-BL-1	48" (120 cm) Black Pockit® 120-L/M Linking Cord	\$6.25
L-FPOC-LINKA-120-WH-1	48" (120 cm) White Pockit® 120-L/M Linking Cord	\$6.25
L-FPOC-LINKA-180-BL-1	72" (180 cm) Black Pockit® 120-L/M Linking Cord	\$7.95
L-FPOC-LINKA-180-WH-1	72" (180 cm) White Pockit® 120-L/M Linking Cord	\$7.95



COMPONENTS: POWER SUPPLIES, CONTROLLERS & MORE SEE PAGE 478.

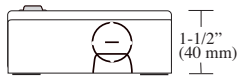
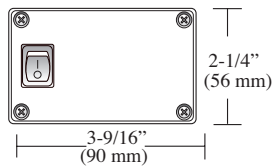
● 120V Round Switch



Part #	Description	SLP
L-RDSW-1M-120-BL-1	120V Black Round Rocker Switch w/ 39" (1 m) Lead	\$17.15
L-RDSW-1M-120-WH-1	120V White Round Rocker Switch w/ 39" (1 m) Lead	\$17.15
L-RDSW-2M-120-BL-1	120V Black Round Rocker Switch w/ 79" (2 m) Lead	\$17.15
L-RDSW-2M-120-WH-1	120V White Round Rocker Switch w/ 79" (2 m) Lead	\$17.15

3/4" (19 mm) hole required.

● 120V Hardwire Boxes



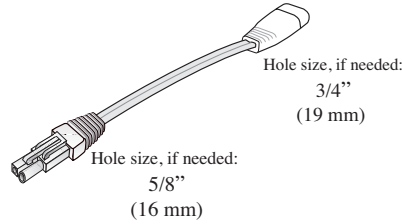
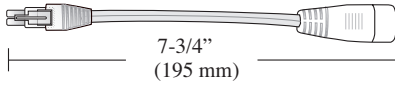
Part #	Description	SLP
L-HWB-BL-T5-1	T5 Black Hardwire Box, without Switch	\$16.20
L-HWB-WH-T5-1	T5 White Hardwire Box, without Switch	\$16.20
L-HWB-BL-T5-S-1	T5 Black Hardwire Box, with Switch	\$16.20
L-HWB-WH-T5-S-1	T5 White Hardwire Box, with Switch	\$16.20

Maximum (10) light fixtures per hardwire box.
Must use Pocket® 120L/M Adaptor.

● **120V Pockit® 120-L/M Adaptor for Hardwire Box**

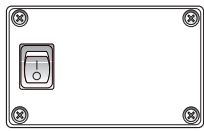
Part #	Description	SLP
L-FPOC-HWB-ADP-BL-1	Pockit® 120-M Adaptor for Hardwire Box, Black	\$3.30
L-FPOC-HWB-ADP-WH-1	Pockit® 120-M Adaptor for Hardwire Box, White	\$3.30

Required when using Hardwire Box.



NOTE: Must use hardwire box when used with a wall dimmer. Do not dim a receptacle.

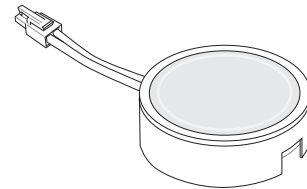
How to Connect Using Hardwire Box:



Hardwire Box



Pockit® 120-M Adaptor



● **120V LED Wall Dimmers**



For details see
Switches
on Page 485.

Part #	Description	SLP
L-DVCL-153P-WH-1	Lutron Diva® C-L™ 150W Dimmer w/o Plate	\$92.05
L-CTCL-153P-WH-1	Lutron Skylark Contour C-L™ 150W Dimmer w/o Plate	\$72.80
L-DSL06-1LZ-1	Leviton Decora 300W LED Dimmer w/WH-IV-LA Kit	\$74.65



COMPONENTS: POWER SUPPLIES, CONTROLLERS & MORE SEE PAGE 478.

Additional Puck Lighting

Visit trescolighting.com for more information



Pockit® Plus 1.5W

Pockit® Plus features clean and simple lines PLUS cutting-edge bulb technology that provide powerful, bright light without the energy consumption and heat. Performance and effortless installation for recess or surface mounting all at a competitive price — that's the power of PLUS.



Features:

Slim Profile - 1/4" (6 mm)

90° beam spread

Durable milled aluminum construction

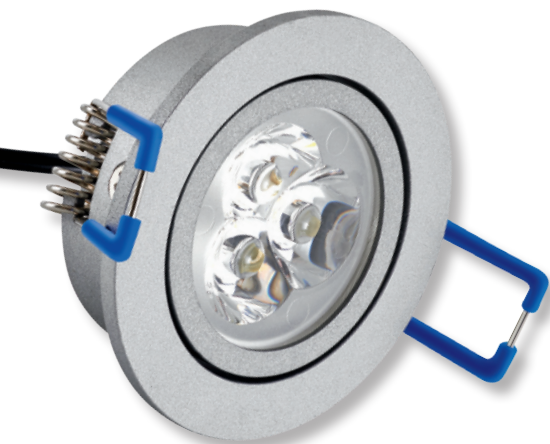
Recess or surface mount

Surface mount ring included

Four finishes available

Pockit® Spot

The 3W Pockit® Spot performs like a spotlight with a high focus output beam to keep countertops, kiosks and displays center stage. The fixture features an exceptionally low profile and two large springs for recess mounting in a depth of only 1-1/8" (29 mm). The 3W Pockit® Spot has the ability to swivel in either direction.



Features:

Compact 1-1/8" (29 mm) depth

Focused 30° beam spread with 12° of swivel

Extremely efficient at approximately 100 lumens per watt

All metal construction

Strong spring clip for recessing

Black or nickel finishes



Additional Puck Lighting

All product dimensions and specifications are subject to change without prior notice.



Pockit® Adapt

As the name suggests, this Pockit® is adaptable to specific applications using one of three included lenses. Whether your application calls for a narrow or wide angle spot, only a simple change of the lens is needed. The 5/8" depth (16 mm) makes this one of the lowest profile spot lights in the industry while generating a staggering 250 lumen output.



Features:

3 beam-angle changing lenses included: 25°, 45°, 60°

High output (250 lumens)

Aluminum die cast construction

Recess or surface mount – minimal 5/8" (16 mm) depth

Black, Nickel and White finishes available

NEW!

12VDC

FineLine 2.0

4.4W/ft.
(14.4W/m)

330 Lumens per ft.
(1082 per meter)



Pencil thin but still packing a big punch, FineLine is the unobtrusive way to provide stunning lighting to casework, displays, store fixtures and more. The low-profile design features a milk diffuser for even illumination, Luniform technology, and with optional manual or remote-control dimmers, creating the perfect atmosphere is effortless.

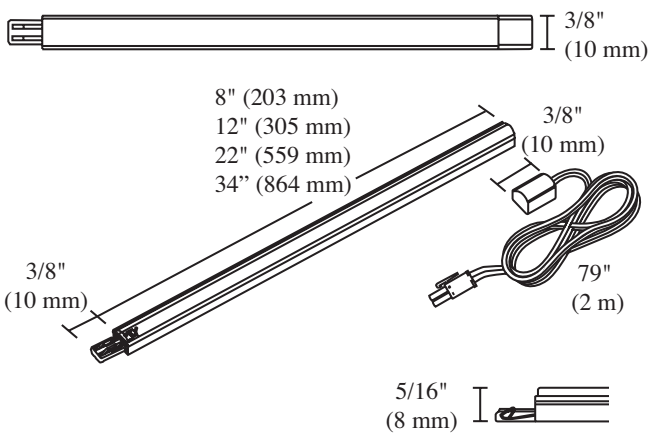


Available Finishes:



Aluminum (AL)

Dimensions:

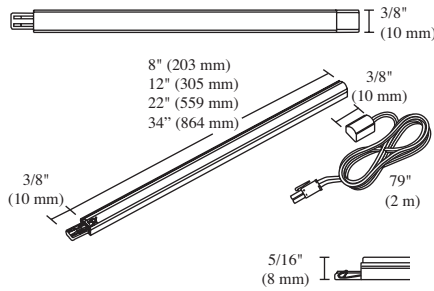


Specifications:

Wattage	Lumens	Efficacy (lm/W)	Input Voltage	Diode Life	Max Per 60W Power Supply	Max Continuous Run	Mounting	Warranty	Beam Angle
4.4W/ft. (14.4W/m)	330 per ft. (1082 per m)	75	12VDC	50,000 Hours	13' (4 m)	12' (3.66 m)	Surface	5 Year	120°

Photometric Data				Color Temperature	
	Height	Light Output	Beam Area		
	1ft (.3 m)	279Fc (3003.1lx)	3.4ft L x 3.6ft W (1 m L x 1.1 m W)	2700K	3000K
	3ft (.9 m)	31.0Fc (333.6lx)	10.3ft L x 10.8ft W (3.1 m L x 3.3 m W)	4500K	5500K
6ft (1.8 m)	7.75Fc (83.4lx)	20.5ft L x 21.6ft W (6.2 m L x 6.6 m W)	5000K	6500K	
L-STKH034-CNI-1 Tested				Warm (3000K)	Cool (5000K)

● 12VDC FineLine 2.0 LED Series



Part #	Description	SLP
L-STKHO8-CNI-1	8" (203 mm) Fineline 2.0, 5000K, Nickel	\$59.75
L-STKHO12-CNI-1	12" (305 mm) Fineline 2.0, 5000K, Nickel	\$71.10
L-STKHO22-CNI-1	22" (559 mm) Fineline 2.0, 5000K, Nickel	\$118.35
L-STKHO34-CNI-1	34" (864 mm) Fineline 2.0, 5000K, Nickel	\$156.35
L-STKHO8-WNI-1	8" (203 mm) Fineline 2.0, 3000K, Nickel	\$59.75
L-STKHO12-WNI-1	12" (305 mm) Fineline 2.0, 3000K, Nickel	\$71.10
L-STKHO22-WNI-1	22" (559 mm) Fineline 2.0, 3000K, Nickel	\$118.35
L-STKHO34-WNI-1	34" (864 mm) Fineline 2.0, 3000K, Nickel	\$156.35

Maximum continuous run of 12 ft. (3.7 m) to prevent voltage drop. Maximum 13 ft. (4 m) per 60W power supply. 79" (2 m) Starter Cord, AMP® Connector and mounting U-Clips are included with each light.

● 12VDC Power Supplies



Part #	Description	SLP
L-DC-ELT18-CON-1	18W 12VDC Power Supply w/6 Snap Mounting Block*	\$66.40
L-DC-SLELT30-1	30W 12VDC Power Supply w/6 Snap Mounting Block*	\$88.40
L-DC-SLELT60-1	60W 12VDC Power Supply w/6 Snap Mounting Block*	\$114.45
L-DC-ELT6WP-CON-1	6W 12VDC Wall Mount Power Supply w/3 Snap Block*	\$29.35
L-DC-ELT15WP-CON-1	15W 12VDC Wall Mount Power Supply w/6 Snap Block*	\$37.85
L-DC-EQ30-1	30W 12VDC Equiline Power Supply w/6 Snap Block*	\$61.65
L-DC-EQ60-1	60W 12VDC Equiline Power Supply w/6 Snap Block*	\$78.95
L-DCE30D-CON-1	30W 12VDC Hardwire Dimmable LED Power Supply†	\$114.30
L-DCE60D-CON-1	60W 12VDC Hardwire Dimmable LED Power Supply†	\$181.55
L-12DCH60X1-1	60W 12VDC Commercial/Industrial Metal Hardwire Dimmable Power Supply‡	\$181.80
L-12DCH60X3-1	180W 12VDC Commercial/Industrial Metal Hardwire Dimmable Power Supply‡	\$399.75

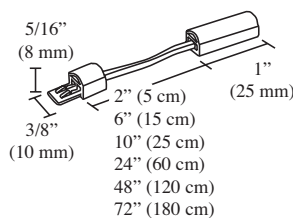
* Dimmable on trailing edge (12VDC side). Mounting block and power cord are included.

† Dimmable by LED line voltage (120V) wall dimmers. Mounting block included.

‡ Dimmable by LED line voltage (120V) wall dimmers. Mounting block not included

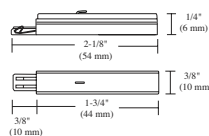
All hardwire power supplies require an electrician for install.

● 12VDC FineLine Link Cord



Part #	Description	SLP
L-LED-STKLNK-5-1	5 cm (2") 12VDC Stick Linking Cord	\$4.40
L-LED-STKLNK-15-1	15 cm (6") 12VDC Stick Linking Cord	\$4.85
L-LED-STKLNK-25-1	25 cm (10") 12VDC Stick Linking Cord	\$5.10
L-LED-STKLNK-60-1	60 cm (24") 12VDC Stick Linking Cord	\$6.25
L-LED-STKLNK-120-1	120 cm (48") 12VDC Stick Linking Cord	\$7.95
L-LED-STKLNK-180-1	180 cm (72") 12VDC Stick Linking Cord	\$9.70

● 12VDC FineLine Touch Dimmer



Part #	Description	SLP
L-LED-STKDIM-TD4-1	Inline Touch Dimmer, 4 Step	\$39.30

Controls up to 6 ft. (1.8 m) of FineLine 2.0 lights and 10 ft. (3 m) of EquiLine FineLine lights.



COMPONENTS: POWER SUPPLIES, CONTROLLERS & MORE SEE PAGE 478.

SimpLED 2.0

12VDC

5W/ft.
(16.4W/m)

470 Lumens
per ft.
(1541 per meter)



The SimpLED 2.0 sets the bar for light output and simplicity. With the patented push-in "H" connection system and inline control modules, you get the simplest and quickest installation possible. Use either straight or pivoting mounting clips, then snap the fixtures into place to let over 470 lumens per foot illuminate your project.

US PATENT NO: 8,545,045

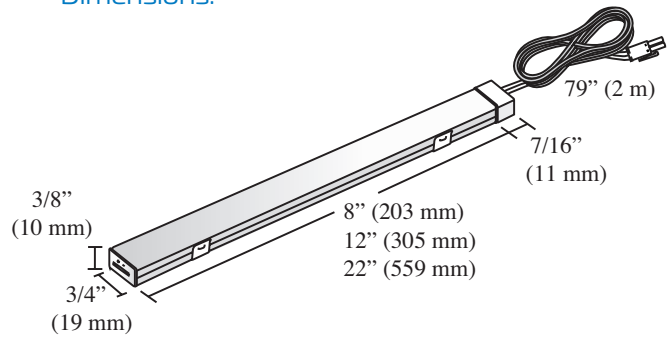


Available Finishes:



Aluminum (AL)

Dimensions:



Specifications:

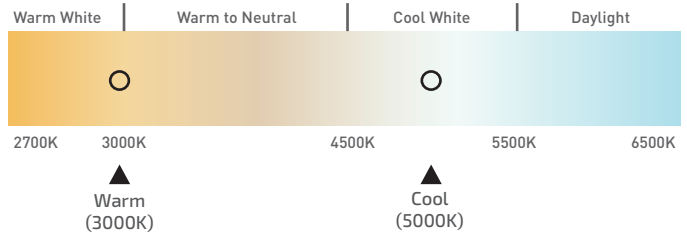
Wattage	Lumens	Efficacy (lm/W)	Input Voltage	Diode Life	Max Per 60W Power Supply	Max Continuous Run	Mounting	Warranty	Beam Angle
5W/ft. (16.4W/m)	470 per ft. (1541 per m)	94	12VDC	50,000 Hours	12' (3.7 m)	10' (3 m)	Surface	5 Year	110°

Photometric Data

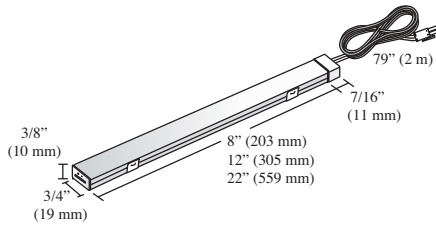
Height	Light Output	Beam Area
1ft (.3 m)	244.70Fc (2634lx)	2.7ft L x 2.8ft W (.82 m L x .85 m W)
3ft (.9 m)	27.19Fc (292.7lx)	8.2ft L x 8.3ft W (2.5 m L x 2.5 m W)
6ft (1.8 m)	6.80Fc (73.2lx)	16.4ft L x 16.5ft W (5 m L x 5 m W)

L-SMPH022-CNI-1 Tested

Color Temperature



● 12VDC SimpLED 2.0 Series



Part #	Description	SLP
L-SMPHO8-CNI-1	8" (203 mm) 12VDC SimpLED 2.0, 5000K Nickel	\$68.40
L-SMPHO12-CNI-1	12" (305 mm) 12VDC SimpLED 2.0, 5000K Nickel	\$92.65
L-SMPHO22-CNI-1	22" (559 mm) 12VDC SimpLED 2.0, 5000K Nickel	\$176.00
L-SMPHO8-WNI-1	8" (203 mm) 12VDC SimpLED 2.0, 3000K Nickel	\$68.40
L-SMPHO12-WNI-1	12" (305 mm) 12VDC SimpLED 2.0, 3000K Nickel	\$92.65
L-SMPHO22-WNI-1	22" (559 mm) 12VDC SimpLED 2.0, 3000K Nickel	\$176.00

Maximum continuous run 10 ft. (3 m) to prevent voltage drop. Maximum 12 ft. (3.6 m) per power supply.
79" (2 m) Starter Cord, AMP® Connector, H-Shaped Connector, and Mounting U-Clips are included with each light.
3 diffusers (Clear, Frosted and Milk/Opal) are included with each light.

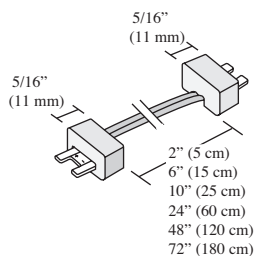
● 12VDC Power Supplies



Part #	Description	SLP
L-DC-ELT18-CON-1	18W 12VDC Power Supply w/6 Snap Mounting Block*	\$66.40
L-DC-SLELT30-1	30W 12VDC Power Supply w/6 Snap Mounting Block*	\$88.40
L-DC-SLELT60-1	60W 12VDC Power Supply w/6 Snap Mounting Block*	\$114.45
L-DC-ELT6WP-CON-1	6W 12VDC Wall Mount Power Supply w/3 Snap Block*	\$29.35
L-DC-ELT15WP-CON-1	15W 12VDC Wall Mount Power Supply w/6 Snap Block*	\$37.85
L-DC-EQ30-1	30W 12VDC Equiline Power Supply w/6 Snap Block*	\$61.65
L-DC-EQ60-1	60W 12VDC Equiline Power Supply w/6 Snap Block*	\$78.95
L-DCE30D-CON-1	30W 12VDC Hardwire Dimmable LED Power Supply†	\$114.30
L-DCE60D-CON-1	60W 12VDC Hardwire Dimmable LED Power Supply†	\$181.55
L-12DCH60X1-1	60W 12VDC Commercial/Industrial Metal Hardwire Dimmable Power Supply§	\$181.80
L-12DCH60X3-1	180W 12VDC Commercial/Industrial Metal Hardwire Dimmable Power Supply§	\$399.75

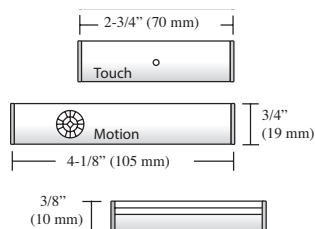
* Dimmable on trailing edge (12VDC side). Mounting block and power cord are included.
† Dimmable by LED line voltage (120V) wall dimmers. Mounting block included.
§ Dimmable by LED line voltage (120V) wall dimmers. Mounting block not included
All hardwire power supplies require an electrician for install.

● 12VDC SimpLED Link Cord



Part #	Description	SLP
L-LED-SMPLNK-5-1	5 cm (2") 12VDC SimpLED Linking Cord	\$5.45
L-LED-SMPLNK-15-1	15 cm (6") 12VDC SimpLED Linking Cord	\$5.80
L-LED-SMPLNK-25-1	25 cm (10") 12VDC SimpLED Linking Cord	\$6.25
L-LED-SMPLNK-60-1	60 cm (24") 12VDC SimpLED Linking Cord	\$7.35
L-LED-SMPLNK-120-1	120 cm (48") 12VDC SimpLED Linking Cord	\$9.25
L-LED-SMPLNK-180-1	180 cm (72") 12VDC SimpLED Linking Cord	\$11.25

● 12VDC SimpLED Control Modules



Part #	Description	SLP
L-LED-SMPTD4-1	27W Rectangle Inline Touch Dimmer	\$48.65
L-LED-SMPMOT-1	27W Rectangle Inline Motion Sensor	\$62.25

Controls up to 5.4 ft. (1.6 m) of SimpLED 2.0 lights and 6.0 ft. (1.8 m) of EquiLine SimpLED lights.
Max load 27W.



COMPONENTS: POWER SUPPLIES, CONTROLLERS & MORE SEE PAGE 478.

Eurolinx

12VDC

4W/ft.
(13.1W/m)

216 Lumens per ft.
(708 per meter)



The Eurolinx's flat profile blends in with any application. Using specialized diffuser and reflector technology to achieve Luniform output, this European style light is a perfect choice for all contemporary and high-end commercial applications. Use the optional magnetic U-Clips for metal shelving or office furniture mounting. At 4W per foot and over 200 lumens, Eurolinx is a top pick for sleek high illumination.

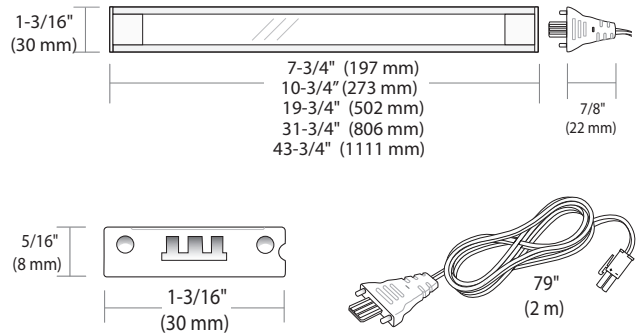


Available Finishes:



Aluminum (AL)

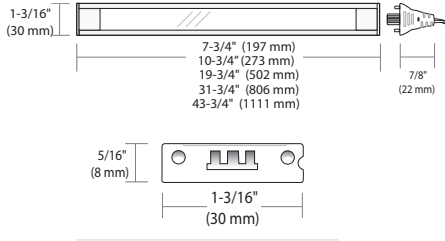
Dimensions:



Specifications:

Wattage	Lumens	Efficacy (lm/W)	Input Voltage	Diode Life	Max Per 60W Power Supply	Max Continuous Run	Mounting	Warranty	Beam Angle
4W/ft. (13.1W/m)	216 per ft. (708 per m)	54	12VDC	50,000 Hours	15' (4.6 m)	10' (3 m)	Surface	5 Year	
Photometric Data					Color Temperature				
	Height	Light Output	Beam Area		<div style="display: flex; justify-content: space-between;"> Warm White Warm to Neutral Cool White Daylight </div>				
	1ft (.3 m)	266.60Fc (2870lx)	2.9ft L x 3.3ft W (.88 m L x 1 m W)		2700K	3000K	4500K	5500K	6500K
	3ft (.9 m)	29.62Fc (318.8lx)	8.8ft L x 10ft W (2.7 m L x 3 m W)		<div style="display: flex; justify-content: space-around;"> ▲ Warm (3000K) ▲ Cool (5000K) </div>				
	6ft (1.8 m)	7.40Fc (79.6lx)	17.6ft L x 20ft W (5.4 m L x 6 m W)						
L-EUL15W-1111CAL-1 Tested									

● **12VDC Eurolinx Series**



Part #	Description	SLP
L-EUL3W-197CAL-1	197 mm (7.75") 12VDC 3W Eurolinx 5000K	\$87.00
L-EUL4W-273CAL-1	273 mm (10.75") 12VDC 4W Eurolinx 5000K	\$97.05
L-EUL7W-502CAL-1	502 mm (19.75") 12VDC 7W Eurolinx 5000K	\$112.30
L-EUL11W-806CAL-1	806 mm (31.75") 12VDC 11W Eurolinx 5000K	\$140.10
L-EUL15W-1111CAL-1	1111 mm (43.75") 12VDC 15W Eurolinx 5000K	\$168.05
L-EUL3W-197WAL-1	197 mm (7.75") 12VDC 3W Eurolinx 3000K	\$87.00
L-EUL4W-273WAL-1	273 mm (10.75") 12VDC 4W Eurolinx 3000K	\$97.05
L-EUL7W-502WAL-1	502 mm (19.75") 12VDC 7W Eurolinx 3000K	\$112.30
L-EUL11W-806WAL-1	806 mm (31.75") 12VDC 11W Eurolinx 3000K	\$140.10
L-EUL15W-1111WAL-1	1111 mm (43.75") 12VDC 15W Eurolinx 3000K	\$168.05

Maximum continuous run 10 ft. (3 m) to prevent voltage drop. Maximum 15 ft. (4.6 m) per 60W power supply. Each light includes 79" (2 m) cord, U-Clips, back to back connector.

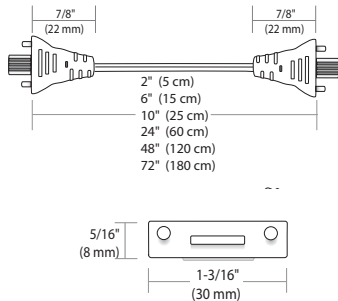
● **12VDC Power Supplies**



Part #	Description	SLP
L-DC-ELT18-CON-1	18W 12VDC Power Supply w/6 Snap Mounting Block*	\$66.40
L-DC-SLELT30-1	30W 12VDC Power Supply w/6 Snap Mounting Block*	\$88.40
L-DC-SLELT60-1	60W 12VDC Power Supply w/6 Snap Mounting Block*	\$114.45
L-DC-ELT6WP-CON-1	6W 12VDC Wall Mount Power Supply w/3 Snap Block*	\$29.35
L-DC-ELT15WP-CON-1	15W 12VDC Wall Mount Power Supply w/6 Snap Block*	\$37.85
L-DC-EQ30-1	30W 12VDC Equiline Power Supply w/6 Snap Block*	\$61.65
L-DC-EQ60-1	60W 12VDC Equiline Power Supply w/6 Snap Block*	\$78.95
L-DCE30D-CON-1	30W 12VDC Hardwire Dimmable LED Power Supply†	\$114.30
L-DCE60D-CON-1	60W 12VDC Hardwire Dimmable LED Power Supply†	\$181.55
L-12DCH60X1-1	60W 12VDC Commercial/Industrial Metal Hardwire Dimmable Power Supply‡	\$181.80
L-12DCH60X3-1	180W 12VDC Commercial/Industrial Metal Hardwire Dimmable Power Supply‡	\$399.75

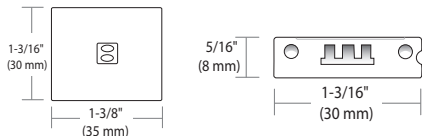
* Dimmable on trailing edge (12VDC side). Mounting block and power cord are included.
 † Dimmable by LED line voltage (120V) wall dimmers. Mounting block included.
 ‡ Dimmable by LED line voltage (120V) wall dimmers. Mounting block not included
 All hardwire power supplies require an electrician for install.

● **12VDC Euro Link Cord**



Part #	Description	SLP
L-EULNK-15-WH-1	15 cm (6") Eurolinx Linking Cord, White	\$9.35
L-EULNK-25-WH-1	25 cm (10") Eurolinx Linking Cord, White	\$9.70
L-EULNK-60-WH-1	60 cm (24") Eurolinx Linking Cord, White	\$11.35
L-EULNK-120-WH-1	120 cm (48") Eurolinx Linking Cord, White	\$13.35
L-EULNK-180-WH-1	180 cm (72") Eurolinx Linking Cord, White	\$16.20

● **12VDC Eurolinx Touch Dimmer**



Part #	Description	SLP
L-EUL-GTD-1	27W Eurolinx Gradual Inline Touch Dimmer	\$27.00

Controls up to 6.75 ft. (2 m) of Eurolinx Lights.
 Max load 27W.



COMPONENTS: POWER SUPPLIES, CONTROLLERS & MORE SEE PAGE 478.

Elli[®] Series

12VDC

3.6W/ft.
(11.8W/m)

200 Lumens
per ft.
(654 per meter)



The patented Elli[®] Series is available in six lengths and features a square or an angled design that fits easily over glue or staples commonly found in cabinet and casework construction. High-output, wide-angle LEDs and fixture-to-fixture linking capability make for perfect, even illumination.

US PATENT NO: D577,857 and D574,107

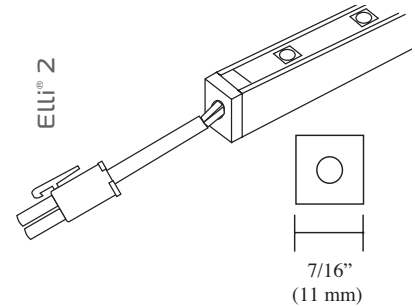
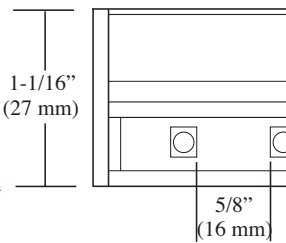
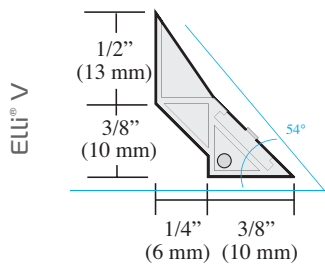


Available Finishes:



Aluminum (AL)

Dimensions:



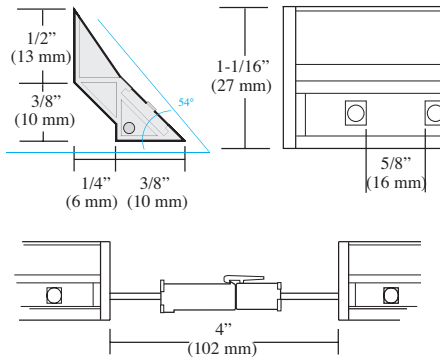
Specifications:

Wattage	Lumens	Efficacy (lm/W)	Input Voltage	Diode Life	Max Per 60W Power Supply	Max Continuous Run	Mounting	Warranty	Beam Angle
3.6W/ft. (11.8W/m)	200 per ft. (654 per m)	55.4	12VDC	50,000 Hours	16' (4.88 m)	12' (3.66 m)	Surface	5 Year	
Photometric Data					Color Temperature				
	Height	Light Output	Beam Area						
	1ft (.3 m)	282.60Fc (3041.9lx)	3ft L x 3ft W (.9 m L x .9 m W)						
	3ft (.9 m)	31.40Fc (338lx)	9ft L x 9ft W (2.7 m L x 2.7 m W)						
	6ft (1.8 m)	7.85Fc (84.5lx)	18ft L x 18.1ft W (5.5 m L x 5.5 m W)						

L-LED-SQPR-1016CAL-1 Tested

● Required
● Optional

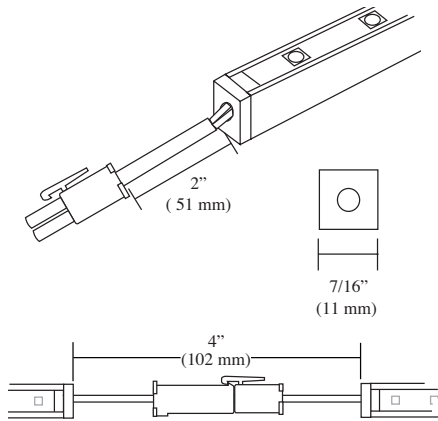
● 12VDC Elli® V Series



Part #	Description	SLP
L-LED-AGLPR-250CAL-1	279 mm (11") Elli® V LED, 4800K, Aluminum	\$73.85
L-LED-AGLPR-406CAL-1	432 mm (17") Elli® V LED, 4800K, Aluminum	\$105.90
L-LED-AGLPR-711CAL-1	737 mm (29") Elli® V LED, 4800K, Aluminum	\$164.75
L-LED-AGLPR-1016CAL-1	1041 mm (41") Elli® V LED, 4800K, Aluminum	\$225.10
L-LED-AGLPR-250WAL-1	279 mm (11") Elli® V LED, 3500K, Aluminum	\$73.85
L-LED-AGLPR-406WAL-1	432 mm (17") Elli® V LED, 3500K, Aluminum	\$105.90
L-LED-AGLPR-559WAL-1	584 mm (23") Elli® V LED, 3500K, Aluminum	\$136.20
L-LED-AGLPR-711WAL-1	737 mm (29") Elli® V LED, 3500K, Aluminum	\$164.75
L-LED-AGLPR-864WAL-1	889 mm (35") Elli® V LED, 3500K, Aluminum	\$200.35
L-LED-AGLPR-1016WAL-1	1041 mm (41") Elli® V LED, 3500K, Aluminum	\$225.10

Maximum continuous run 12 ft. (3.65 m) to prevent voltage drop. 16 ft. (4.88 m) maximum per power supply.

● 12VDC Elli 2 Series



Part #	Description	SLP
L-LED-SQPR-250CAL-1	279 mm (11") Elli® 2 LED, 4800K, Aluminum	\$73.85
L-LED-SQPR-559CAL-1	584 mm (23") Elli® 2 LED, 4800K, Aluminum	\$136.20
L-LED-SQPR-864CAL-1	889 mm (35") Elli® 2 LED, 4800K, Aluminum	\$200.35
L-LED-SQPR-1016CAL-1	1041 mm (41") Elli® 2 LED, 4800K, Aluminum	\$225.10
L-LED-SQPR-250WAL-1	279 mm (11") Elli® 2 LED, 3500K, Aluminum	\$73.85
L-LED-SQPR-406WAL-1	432 mm (17") Elli® 2 LED, 3500K, Aluminum	\$105.90
L-LED-SQPR-559WAL-1	584 mm (23") Elli® 2 LED, 3500K, Aluminum	\$136.20
L-LED-SQPR-711WAL-1	737 mm (29") Elli® 2 LED, 3500K, Aluminum	\$164.75
L-LED-SQPR-864WAL-1	889 mm (35") Elli® 2 LED, 3500K, Aluminum	\$200.35
L-LED-SQPR-1016WAL-1	1041 mm (41") Elli® 2 LED, 3500K, Aluminum	\$225.10

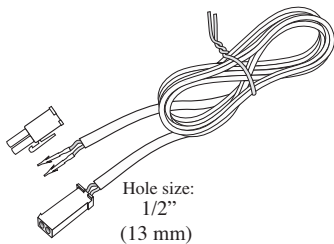
Maximum continuous run 12 ft. (3.65 m) to prevent voltage drop. 16 ft. (4.88 m) maximum per power supply.

● Power Supplies



For details see Power Supplies on Page 478.

● 12VDC Starter Cord / Link Cord



Part #	Description	SLP
L-LED-LINKD-8-1	8 cm (3") 12VDC Starter/Link/Extension Cord	\$3.45
L-LED-LINKD-15-1	15 cm (6") 12VDC Starter/Link/Extension Cord	\$4.25
L-LED-LINKD-25-1	25 cm (10") 12VDC Starter/Link/Extension Cord	\$6.05
L-LED-LINKD-60-1	60 cm (24") 12VDC Starter/Link/Extension Cord	\$7.00
L-LED-LINKD-120-1	120 cm (48") 12VDC Starter/Link/Extension Cord	\$8.50
L-LED-LINKD-180-1	180 cm (72") 12VDC Starter/Link/Extension Cord	\$10.40
L-LED-LINKD-245-1	245 cm (96") 12VDC Starter/Link/Extension Cord	\$12.55

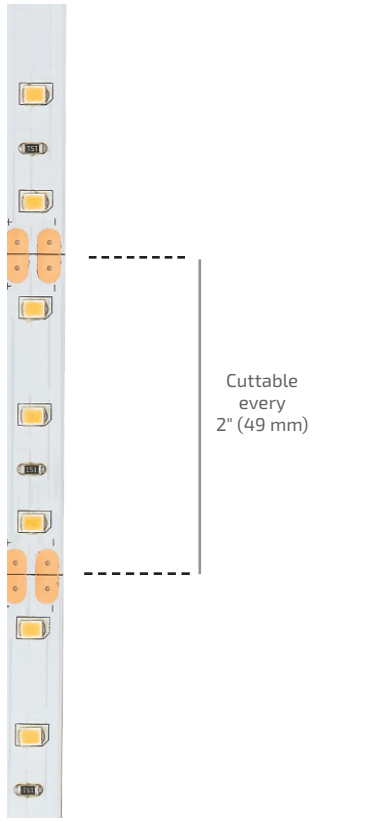


COMPONENTS: POWER SUPPLIES, CONTROLLERS & MORE SEE PAGE 478.

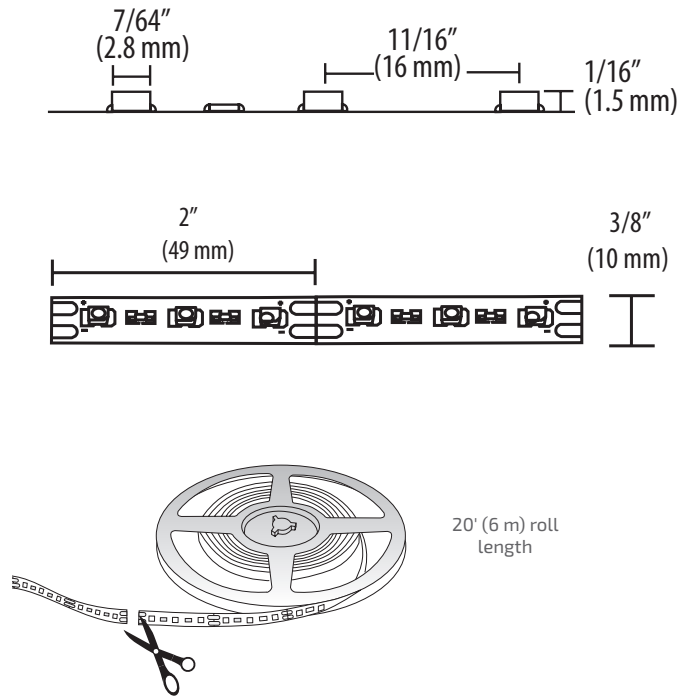
12VDC

FlexTape® 1.5W

1.5W/ft. (4.9W/m)	150 Lumens per ft. (492 per meter)	 115°
-----------------------------	---	--




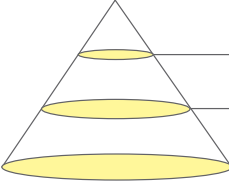



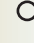




Dimensions:



Specifications:



Wattage	Lumens	Efficacy (lm/W)	Input Voltage	Diode Life	Max Per 60W Power Supply	Max Continuous Run	Mounting	Warranty	Beam Angle
1.5W/ft. (4.9W/m)	150 per ft. (492 per m)	100	12VDC	50,000 Hours	40' (12 m)	20' (6 m)	Surface	5 Year	

Photometric Data				Color Temperature				
	Height	Light Output	Beam Area	Warm White	Warm to Neutral	Cool White	Daylight	
	1ft (.3 m)	49.2Fc (529.6lx)	3.3ft L x 3.3ft W (1 m L x 1 m W)					
	3ft (.9 m)	5.47Fc (58.9lx)	9.8ft L x 10ft W (3 m L x 3 m W)	2700K ▲ Warm (2700K)	3000K ▲ Warm (3000K)	3500K ▲ Neutral (3500K)	4800K ▲ Cool (4800K)	6500K ▲ Daylight (6500K)
6ft (1.8 m)	1.37Fc (14.7lx)	19.5ft L x 20ft W (5.9 m L x 6.1 m W)						
L-LED-FLXTPE-CROLL-1 Tested				 Red Available  Blue Available				

12VDC

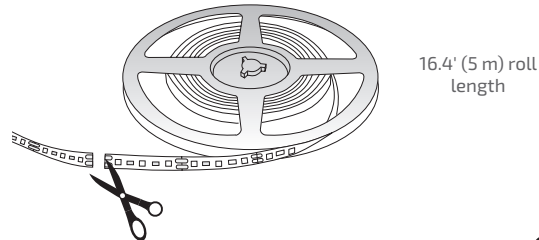
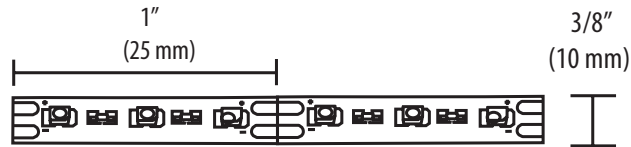
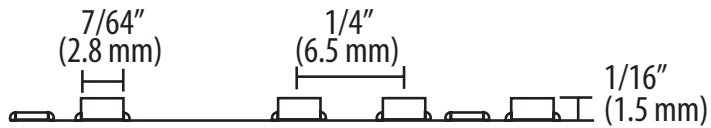
FlexTape® 3W

3W/ft.
(9.8W/m)

365 Lumens
per ft.
(1197 per meter)



Dimensions:



16.4' (5 m) roll length



Cuttable every 1" (25 mm)

Specifications:



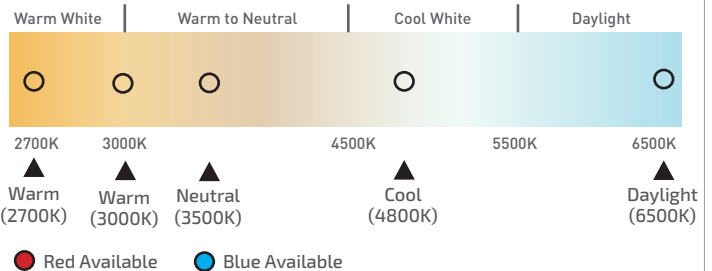
Wattage	Lumens	Efficacy (lm/W)	Input Voltage	Diode Life	Max Per 60W Power Supply	Max Continuous Run	Mounting	Warranty	Beam Angle
3W/ft. (9.8W/m)	365 per ft. (1197 per m)	120	12VDC	50,000 Hours	20' (6 m)	16.4' (5 m)	Surface	5 Year	

Photometric Data

Height	Light Output	Beam Area
1ft (.3 m)	120Fc (1219.7lx)	3.4ft L x 3.3ft W (1.1 m L x 1 m W)
3ft (.9 m)	13.3Fc (143.2lx)	10.1ft L x 9.8ft W (3.1 m L x 3 m W)
6ft (1.8 m)	3.33Fc (35.8lx)	20.2ft L x 19.6ft W (6.2 m L x 6 m W)


L-LED-FLXTPE-CRHO-1 Tested

Color Temperature



FlexTape® 4.4W

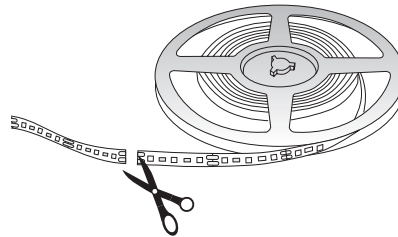
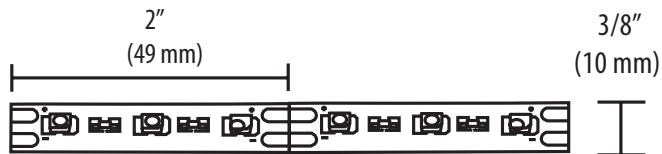
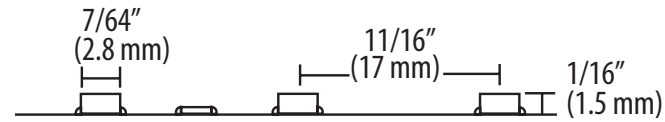
12VDC

4.4W/ft. (14.4W/m)	420 Lumens per ft. (1378 per meter)	 115°
------------------------------	--	--



Cuttable every 2" (49 mm)


Dimensions:

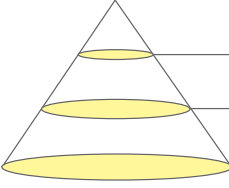


13' (3.96 m) roll length

Specifications:



Wattage	Lumens	Efficacy (lm/W)	Input Voltage	Diode Life	Max Per 60W Power Supply	Max Continuous Run	Mounting	Warranty	Beam Angle
4.4W/ft. (14.4W/m)	420 per ft. (1378 per m)	95	12VDC	50,000 Hours	13' (3.96 m)	13' (3.96 m)	Surface	5 Year	

Photometric Data				Color Temperature			
	Height	Light Output	Beam Area	Warm White	Warm to Neutral	Cool White	Daylight
	1ft (.3 m)	140Fc (1507lx)	3.2ft L x 3.3ft W (.98 m L x .91 m W)	2700K	3000K	4500K	6500K
	3ft (.9 m)	15.5Fc (166.8lx)	9.7ft L x 9.8ft W (3 m L x 3 m W)	Warm (2700K)	Warm (3000K)	Neutral (3500K)	Cool (4800K)
	6ft (1.8 m)	3.88Fc (41.8lx)	19.4ft L x 19.7ft W (5.9 m L x 6 m W)	Warm (2700K)	Warm (3000K)	Neutral (3500K)	Cool (4800K)
L-FLXTPE-CRV-1 Tested							

12VDC

FlexTape® 5.5W

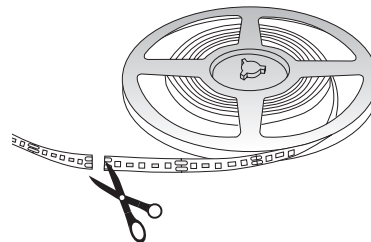
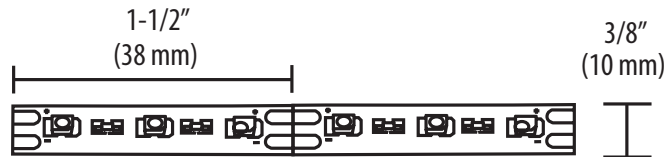
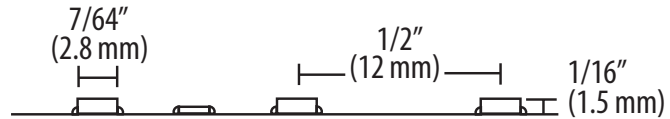
5.5W/ft. (18W/m)	615 Lumens per ft. (2017 per meter)	 115°
----------------------------	--	--

Only to be used with Infinex



Cuttable every 1-1/2" (38 mm)


Dimensions:



10' (3 m) roll length

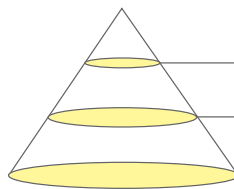
Specifications:



Wattage	Lumens	Efficacy (lm/W)	Input Voltage	Diode Life	Max Per 60W Power Supply	Max Continuous Run	Mounting	Warranty	Beam Angle
5.5W/ft. (18W/m)	615 per ft. (2017 per m)	112	12VDC	50,000 Hours	10' (3 m)	10' (3 m)	Surface	5 Year*	

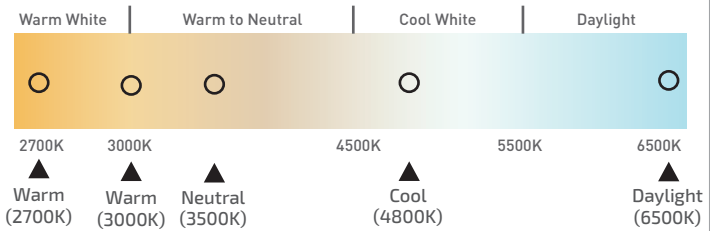
Photometric Data

Height	Light Output	Beam Area
1ft (.3m)	205Fc (2207lx)	3.3ft L x 3.1ft W (1 m L x .94 m W)
3ft (.9m)	22.8Fc (245lx)	10ft L x 9.3ft W (3 m L x 2.8 m W)
6ft (1.8 m)	5.69Fc (61.3lx)	19.9ft L x 18.6ft W (6 m L x 5.6 m W)



L-FLXTPE-48RU-1 Tested

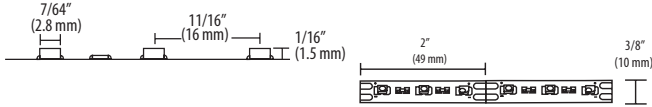
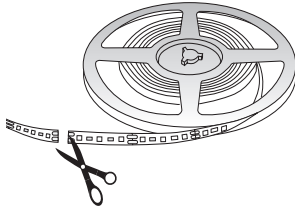
Color Temperature



*MUST USE PROPER HEAT SINK (i.e. Infinex Aluminum Extrusions)

● Required
● Optional

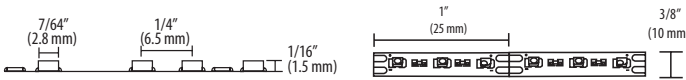
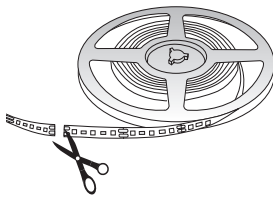
● 12VDC FlexTape® 1.5W



Part #	Description	SLP
L-LED-FLXTPE-WROLL-1	20' (6 m) 12VDC 2700K FlexTape® Roll	\$266.40
L-FLXTPE-30RS-1	20' (6 m) 12VDC 3000K FlexTape® Roll	\$266.40
L-LED-FLXTPE-NROLL-1	20' (6 m) 12VDC 3500K FlexTape® Roll	\$266.40
L-LED-FLXTPE-CROLL-1	20' (6 m) 12VDC 4800K FlexTape® Roll	\$266.40
L-LED-FLXTPE-DRROLL-1	20' (6 m) 12VDC 6500K FlexTape® Roll	\$266.40
L-LED-FLXTPE-BROLL-1	20' (6 m) 12VDC Blue FlexTape® Roll	\$266.40
L-LED-FLXTPE-RROLL-1	20' (6 m) 12VDC Red FlexTape® Roll	\$266.40

Maximum continuous run is 20' (6 m). Maximum per power supply is 40' (12 m). Mounts with adhesive backing. Cuttable every 2" (49 mm). To be used on clean, smooth surfaces. Pressure must be applied for proper 3M™ tape adhesion.

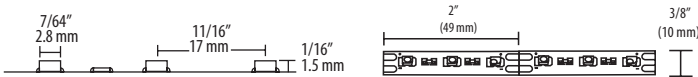
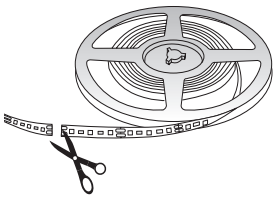
● 12VDC FlexTape® 3W



Part #	Description	SLP
L-LED-FLXTPE-WRHO-1	16.4' (5 m) 12VDC 2700K High Output FlexTape® Roll	\$261.05
L-FLXTPE-30RH-1	16.4' (5 m) 12VDC 3000K High Output FlexTape® Roll	\$261.05
L-LED-FLXTPE-NRHO-1	16.4' (5 m) 12VDC 3500K High Output FlexTape® Roll	\$261.05
L-LED-FLXTPE-CRHO-1	16.4' (5 m) 12VDC 4800K High Output FlexTape® Roll	\$261.05
L-LED-FLXTPE-DRHO-1	16.4' (5 m) 12VDC 6500K High Output FlexTape® Roll	\$261.05
L-LED-FLXTPE-RRHO-1	16.4' (5 m) 12VDC Red High Output FlexTape® Roll	\$261.05
L-LED-FLXTPE-BRHO-1	16.4' (5 m) 12VDC Blue High Output FlexTape® Roll	\$261.05

Maximum continuous run is 16.4' (5 m). Maximum per power supply is 20' (6 m). Mounts with adhesive backing. Cuttable every 1" (25 mm). To be used on clean, smooth surfaces. Pressure must be applied for proper 3M™ tape adhesion.

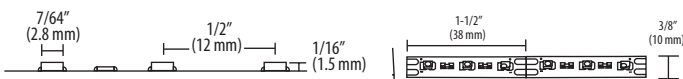
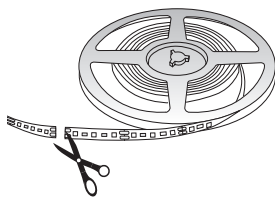
● 12VDC FlexTape® 4.4W



Part #	Description	SLP
L-FLXTPE-WRV-1	13' (4 m) 12VDC 2700K High Output FlexTape® Roll	\$238.60
L-FLXTPE-30RV-1	13' (4 m) 12VDC 3000K High Output FlexTape® Roll	\$238.60
L-FLXTPE-NRV-1	13' (4 m) 12VDC 3500K High Output FlexTape® Roll	\$238.60
L-FLXTPE-CRV-1	13' (4 m) 12VDC 4800K High Output FlexTape® Roll	\$238.60
L-FLXTPE-DRV-1	13' (4 m) 12VDC 6500K High Output FlexTape® Roll	\$238.60

Maximum continuous run is 13' (4 m). Maximum per power supply is 13' (4 m). Mounts with adhesive backing. Cuttable every 2" (49 mm). To be used on clean, smooth surfaces. Pressure must be applied for proper 3M™ tape adhesion.

● 12VDC FlexTape® 5.5W



Part #	Description	SLP
L-FLXTPE-27RU-1	10' (3 m) 12VDC 2700K Ultra Output FlexTape® Roll	\$183.65
L-FLXTPE-30RU-1	10' (3 m) 12VDC 3000K Ultra Output FlexTape® Roll	\$183.65
L-FLXTPE-35RU-1	10' (3 m) 12VDC 3500K Ultra Output FlexTape® Roll	\$183.65
L-FLXTPE-48RU-1	10' (3 m) 12VDC 4800K Ultra Output FlexTape® Roll	\$183.65
L-FLXTPE-65RU-1	10' (3 m) 12VDC 6500K Ultra Output FlexTape® Roll	\$183.65

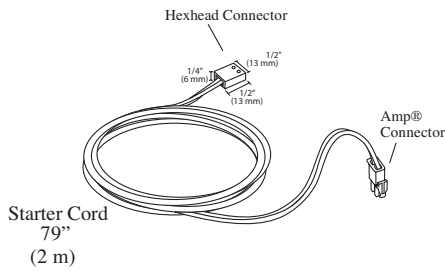
Maximum continuous run is 10' (3 m). Maximum per power supply is 10' (3 m). Mounts with adhesive backing. Cuttable every 1-1/2" (38 mm). To be used on clean, smooth surfaces. Pressure must be applied for proper 3M™ tape adhesion. **MUST USE PROPER HEAT SINK (i.e. Infinex Aluminum Extrusions)**

Power Supplies



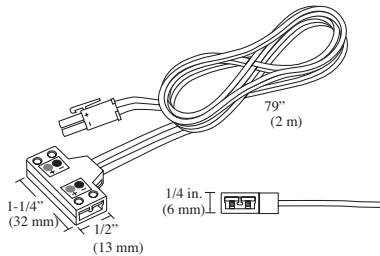
For details see Power Supplies on Page 478.

● 12VDC Starter Cord for Single Color Tape



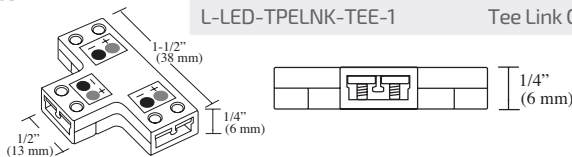
Part #	Description	SLP
L-LED-TPEPKT-2M-1	2 m (79") FlexTape® Straight Starter Lead	\$9.95
L-TPEPKT-2IN-1	50 mm (2") FlexTape® Straight Starter Lead	\$7.00

● 12VDC Tee Starter Cord for Single Color Tape



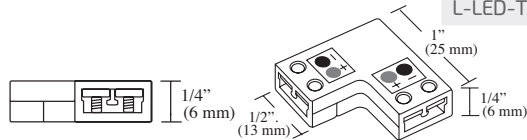
Part #	Description	SLP
L-LED-TPEPKT-2M-TEE-1	2 m (79") FlexTape® Tee Starter Lead	\$14.90

● 12/24VDC Tee Connector for Single Color Tape



Part #	Description	SLP
L-LED-TPELNK-TEE-1	Tee Link Connector	\$4.95

● 12/24VDC Right Angle Connector for Single Color Tape



Part #	Description	SLP
L-LED-TPELNK-CON90-1	90° Link Connector	\$4.95

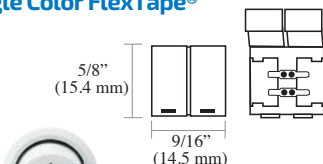
● 12/24VDC Link Cord for Single Color Tape



Positive and negative contacts on FlexTape® and FlexConnects should match-up to maintain proper polarity.

Part #	Description	SLP
L-LED-TPELNK-5-1	5 cm (2") FlexTape® Link Cord	\$4.95
L-LED-TPELNK-15-1	15 cm (6") FlexTape® Link Cord	\$4.95
L-LED-TPELNK-25-1	25 cm (10") FlexTape® Link Cord	\$7.45
L-LED-TPELNK-60-1	60 cm (24") FlexTape® Link Cord	\$7.45
L-LED-TPELNK-120-1	120 cm (48") FlexTape® Link Cord	\$7.45
L-LED-TPELNK-180-1	180 cm (72") FlexTape® Link Cord	\$7.45

● 12VDC Back-to-Back Connector for Single Color FlexTape®



Part #	Description	SLP
L-TPELNK-BTB-1	Back-to-Back Connector	\$2.70

To be used with non-COB single color tapes.

COMPONENTS: POWER SUPPLIES, CONTROLLERS & MORE SEE PAGE 478.

Economy Series

12VDC

EquiLine Tape LED 1.5W

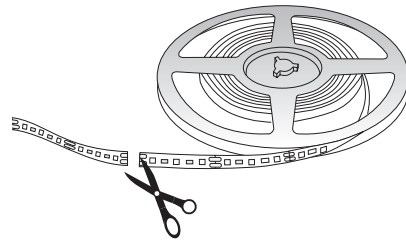
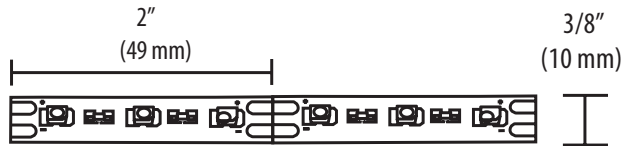
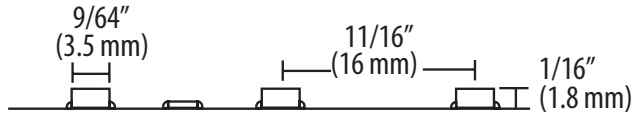
1.5W/ft.
(4.9W/m)

135 Lumens
per ft.
(443 per meter)



Cuttable every 2" (49 mm)

Dimensions:



20' (6 m) roll length



Specifications:

Wattage	Lumens	Efficacy (lm/W)	Input Voltage	Diode Life	Max Per 60W Power Supply	Max Continuous Run	Mounting	Warranty	Beam Angle
1.5W/ft. (4.9W/m)	135 per ft. (443 per m)	90	12VDC	25,000 Hours	40' (12 m)	20' (6 m)	Surface	2 Year	115°

Photometric Data				Color Temperature				
	Height	Light Output	Beam Area					
	1ft (.3 m)	44.1Fc (474.6lx)	3.1ft L x 3.3ft W (.9 m L x 1 m W)	2700K	3000K	4500K	5500K	6500K
	3ft (.9 m)	4.9Fc (52.7lx)	9.4ft L x 9.8ft W (2.9 m L x 3 m W)	Warm (2700K)	Warm (3000K)	Neutral (3500K)	Cool (4800K)	Daylight (6500K)
6ft (1.8 m)	1.23Fc (13.3lx)	18.8ft L x 19.6ft W (5.7 m L x 6 m W)	L-TPELED-48SER-1 Tested					

Economy Series

EquiLine Tape LED 3W

12VDC

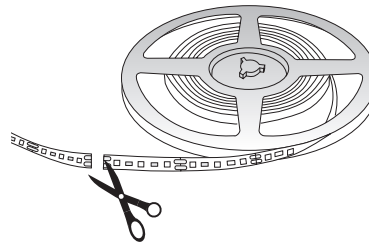
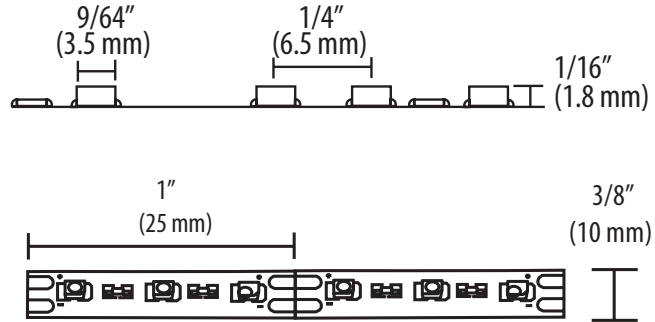
3W/ft.
(9.8W/m)

255 Lumens
per ft.
(836 per meter)



Cuttable every 1" (25 mm)

Dimensions:



16.4' (5 m) roll length



Specifications:

Wattage	Lumens	Efficacy (lm/W)	Input Voltage	Diode Life	Max Per 60W Power Supply	Max Continuous Run	Mounting	Warranty	Beam Angle
3W/ft. (9.8W/m)	255 per ft. (836 per m)	85	12VDC	25,000 Hours	20' (6 m)	16.4' (5 m)	Surface	2 Year	115°
Photometric Data					Color Temperature				
	Height	Light Output	Beam Area						
	1ft (.3m)	83.9Fc (903.1lx)	3.2ft L x 3.3ft W (1 m L x 1 m W)	2700K	3000K	4500K	5500K	6500K	
	3ft (.9m)	9.32Fc (100.3lx)	9.5ft L x 9.9ft W (2.9 m L x 3 m W)	Warm (2700K)	Warm (3000K)	Neutral (3500K)	Cool (4800K)	Daylight (6500K)	
	6ft (1.8m)	2.33Fc (25.1lx)	19.1ft L x 19.9ft W (5.8 m L x 6.1 m W)						
L-TPELED-48HER-1 Tested									

EquiLine Tape LED

Economy Series

EquiLine Tape LED 4.4W

12VDC

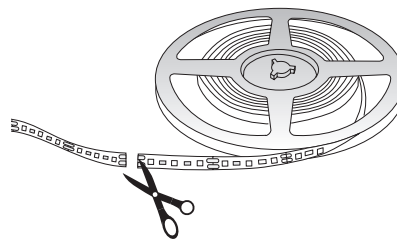
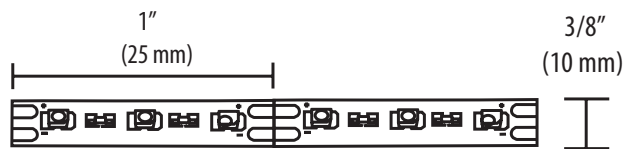
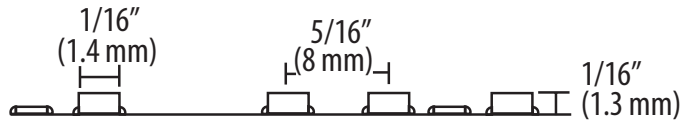
4.4W/ft.
(14.4W/m)

395 Lumens
per ft.
(1296 per meter)



Cuttable every 1" (25 mm)

Dimensions:



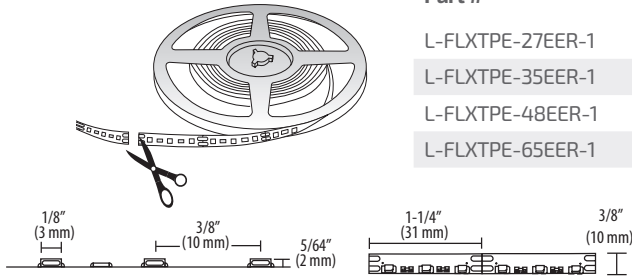
13' (3.96 m) roll length



Specifications:

Wattage	Lumens	Efficacy (lm/W)	Input Voltage	Diode Life	Max Per 60W Power Supply	Max Continuous Run	Mounting	Warranty	Beam Angle	
4.4W/ft. (14.4W/m)	395 per ft. (1296 per m)	89	12VDC	25,000 Hours	13' (3.96 m)	13' (3.96 m)	Surface	2 Year	115°	
Photometric Data					Color Temperature					
	Height	Light Output	Beam Area							
	1ft (.3 m)	135Fc (1453lx)	3.4ft L x 3.3ft W (1 m L x 1 m W)		2700K	3000K	3500K	4500K	5500K	6500K
	3ft (.9 m)	14.9Fc (160.4lx)	10.1ft L x 10ft W (3.1 m L x 3 m W)		Warm (2700K)	Warm (3000K)	Neutral (3500K)	Cool (4800K)		Daylight (6500K)
	6ft (1.8 m)	3.74Fc (40.3lx)	20.2ft L x 20.0ft W (6.2 m L x 6.1 m W)							
L-TPELED-48VER-1 Tested										

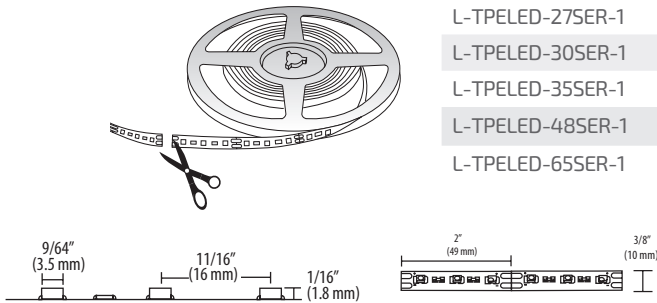
● 12VDC Edge Emitting FlexTape®



Part #	Description	SLP
L-FLXTPE-27EER-1	16.4' (5 m) 12VDC 2700K Edge Emitting FlexTape® LED Roll	\$318.95
L-FLXTPE-35EER-1	16.4' (5 m) 12VDC 3500K Edge Emitting FlexTape® LED Roll	\$318.95
L-FLXTPE-48EER-1	16.4' (5 m) 12VDC 4800K Edge Emitting FlexTape® LED Roll	\$318.95
L-FLXTPE-65EER-1	16.4' (5 m) 12VDC 6500K Edge Emitting FlexTape® LED Roll	\$318.95

Maximum continuous run is 16.4' (5 m). Maximum per power supply is 24' (7 m). Mounts with adhesive backing. Cuttable every 1-1/4" (31 mm). To be used on clean, smooth surfaces. Pressure must be applied for proper 3M™ tape adhesion.

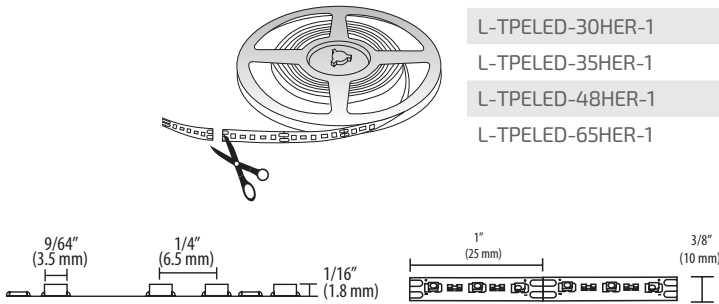
● 12VDC Equiline Tape LED 1.5W



Part #	Description	SLP
L-TPELED-27SER-1	Equiline 20' (6 m) Roll Tape LED 2700K	\$238.20
L-TPELED-30SER-1	Equiline 20' (6 m) Roll Tape LED 3000K	\$238.20
L-TPELED-35SER-1	Equiline 20' (6 m) Roll Tape LED 3500K	\$238.20
L-TPELED-48SER-1	Equiline 20' (6 m) Roll Tape LED 4800K	\$238.20
L-TPELED-65SER-1	Equiline 20' (6 m) Roll Tape LED 6500K	\$238.20

Maximum continuous run is 20' (6 m). Maximum per power supply is 40' (12 m). Mounts with adhesive backing. Cuttable every 2" (49 mm). To be used on clean, smooth surfaces. Pressure must be applied for proper 3M™ tape adhesion.

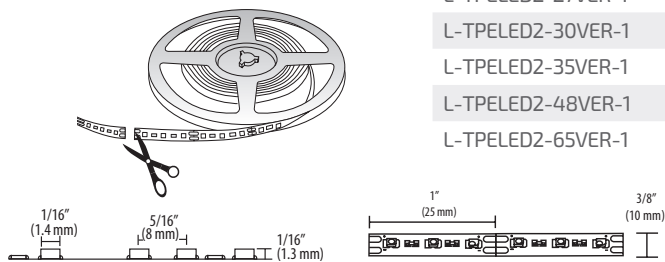
● 12VDC Equiline Tape LED 3W



Part #	Description	SLP
L-TPELED-27HER-1	Equiline 16.4' (5 m) Roll Tape LED 2700K	\$250.65
L-TPELED-30HER-1	Equiline 16.4' (5 m) Roll Tape LED 3000K	\$250.65
L-TPELED-35HER-1	Equiline 16.4' (5 m) Roll Tape LED 3500K	\$250.65
L-TPELED-48HER-1	Equiline 16.4' (5 m) Roll Tape LED 4800K	\$250.65
L-TPELED-65HER-1	Equiline 16.4' (5 m) Roll Tape LED 6500K	\$250.65

Maximum continuous run is 16.4' (5 m). Maximum per power supply is 20' (6 m). Mounts with adhesive backing. Cuttable every 1" (25 mm). To be used on clean, smooth surfaces. Pressure must be applied for proper 3M™ tape adhesion.

● 12VDC Equiline Tape LED 4.4W



Part #	Description	SLP
L-TPELED2-27VER-1	Equiline 13' (3.96 m) Roll Tape LED 2700K	\$255.50
L-TPELED2-30VER-1	Equiline 13' (3.96 m) Roll Tape LED 3000K	\$255.50
L-TPELED2-35VER-1	Equiline 13' (3.96 m) Roll Tape LED 3500K	\$255.50
L-TPELED2-48VER-1	Equiline 13' (3.96 m) Roll Tape LED 4800K	\$255.50
L-TPELED2-65VER-1	Equiline 13' (3.96 m) Roll Tape LED 6500K	\$255.50

Maximum continuous run is 13' (3.96 m). Maximum per power supply is 13' (3.96 m). Mounts with adhesive backing. Cuttable every 1" (25 mm). To be used on clean, smooth surfaces. Pressure must be applied for proper 3M™ tape adhesion.

● Power Supplies



For details see Power Supplies on Page 478.

FOR STARTER CORDS AND CONNECTORS SEE PAGE 445.

COMPONENTS: POWER SUPPLIES, CONTROLLERS & MORE SEE PAGE 478.



NEW!

COB FlexTape®

12VDC



Cuttable every
1 1/16" (18 mm)

4.4W/ft.
(14.5W/m)

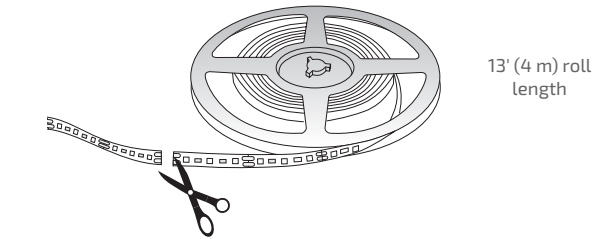
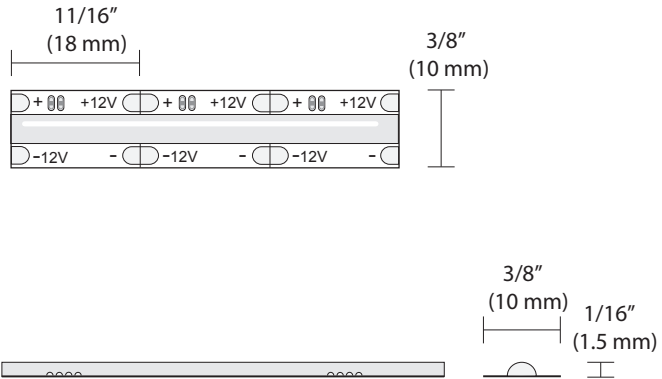
245 Lumens
per ft.
(809 per meter)



Chip on Board or "COB" LED tape is the latest advancement in tape lighting. With diodes directly mounted on a printed circuit board and a continuous fortified coating, this flexible, high density LED lighting strip creates our Luniform look without dark spots – no covers or filters needed!



Dimensions:

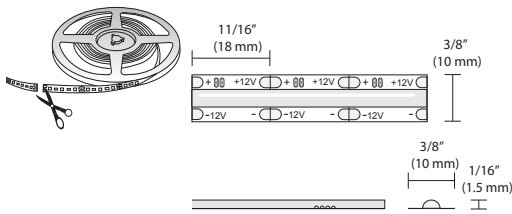


Specifications:

Wattage	Lumens	Efficacy (lm/W)	Input Voltage	Diode Life	Max Per Power Supply 60W (12VDC)	Max Continuous Run	Mounting	Warranty	Beam Angle	
4.4W/ft. (14.5W/m)	245 per ft. (809 per m)	55.7	12VDC	50,000 Hours	13' (4 m)	13' (4 m)	Surface	5 year	115°	
Photometric Data					Color Temperature					
	Height	Light Output	Beam Area							
	1ft (.3m)	74.7Fc (804lx)	3.1ft L x 10.9ft W (94m L x 33m W)							
	3ft (.9m)	8.3Fc (89.3lx)	9.3ft L x 32.6ft W (2.8m L x 9.9m W)							
	6ft (1.8m)	2.07Fc (22.3lx)	18.6ft L x 65.2ft W (5.7m L x 19.9m W)							
				Warm White	Warm to Neutral	Cool White	Daylight			
				2700K	3000K	4500K	5500K	6500K		
				▲ Warm (2700K)	▲ Warm (3000K)	▲ Neutral (3500K)	▲ Cool (4800K)	▲ Daylight (6500K)		

L-FLXCOB12-48RV-1 Tested

● 12VDC COB FlexTape® 4.4W



Part #	Description	SLP
L-FLXCOB12-27RV-1	12VDC 4.4W/FT 2700K COB FlexTape® 13' (4 m) Roll	\$256.95
L-FLXCOB12-30RV-1	12VDC 4.4W/FT 3000K COB FlexTape® 13' (4 m) Roll	\$256.95
L-FLXCOB12-35RV-1	12VDC 4.4W/FT 3500K COB FlexTape® 13' (4 m) Roll	\$256.95
L-FLXCOB12-48RV-1	12VDC 4.4W/FT 4800K COB FlexTape® 13' (4 m) Roll	\$256.95
L-FLXCOB12-65RV-1	12VDC 4.4W/FT 6500K COB FlexTape® 13' (4 m) Roll	\$256.95

Maximum continuous run is 13' (4 m). Maximum per power supply is 13' (4 m). Mounts with adhesive backing. Cuttable every 11/16" (18 mm). To be used on clean, smooth surfaces. Pressure must be applied for proper 3M™ tape adhesion.

● 12VDC Power Supplies



Part #	Description	SLP
L-DC-ELT18-CON-1	18W 12VDC Power Supply w/6 Snap Mounting Block*	\$66.40
L-DC-SLELT30-1	30W 12VDC Power Supply w/6 Snap Mounting Block*	\$88.40
L-DC-SLELT60-1	60W 12VDC Power Supply w/6 Snap Mounting Block*	\$114.45
L-DC-ELT6WP-CON-1	6W 12VDC Wall Mount Power Supply w/3 Snap Block*	\$29.35
L-DC-ELT15WP-CON-1	15W 12VDC Wall Mount Power Supply w/6 Snap Block*	\$37.85
L-DC-EQ30-1	30W 12VDC Equiline Power Supply w/6 Snap Block*	\$61.65
L-DC-EQ60-1	60W 12VDC Equiline Power Supply w/6 Snap Block*	\$78.95
L-DCE30D-CON-1	30W 12VDC Hardwire Dimmable LED Power Supply†	\$114.30
L-DCE60D-CON-1	60W 12VDC Hardwire Dimmable LED Power Supply†	\$181.55
L-12DCH60X1-1	60W 12VDC Commercial/Industrial Metal Hardwire Dimmable Power Supply‡	\$181.80
L-12DCH60X3-1	180W 12VDC Commercial/Industrial Metal Hardwire Dimmable Power Supply‡	\$399.75

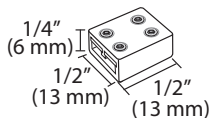
* Dimmable on trailing edge (12VDC side). Mounting block and power cord are included.

† Dimmable by LED line voltage (120V) wall dimmers. Mounting block included.

‡ Dimmable by LED line voltage (120V) wall dimmers. Mounting block not included

All hardwire power supplies require an electrician for install.

● 12/24VDC Back-to-Back Connector for COB



Part #	Description	SLP
L-XSBTB-1	10 mm, 2 Position Back-to-Back Connector, Clear	\$3.70

12VDC COB FLEXTAPE USES STANDARD FLEXTAPE® STARTER CORDS, LINK CORDS, TEE CONNECTOR AND 90-DEGREE CONNECTOR. SEE PAGE 445.



COMPONENTS: POWER SUPPLIES, CONTROLLERS & MORE SEE PAGE 478.

NEW!

COB FlexTape®

24VDC



Cuttable every
1-1/2"
(38 mm)

5.5W/ft.
(18.1W/m)

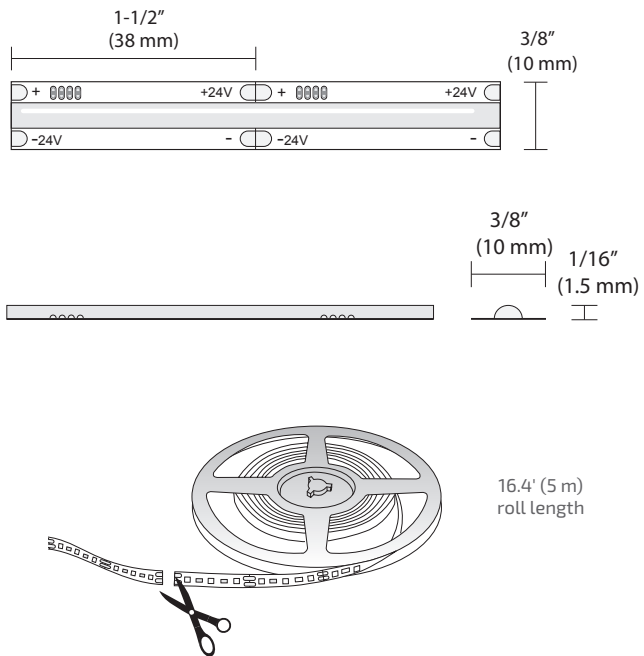
420 Lumens
per ft.
(1386 per meter)



Chip on Board or "COB" LED tape is the latest advancement in tape lighting. With diodes directly mounted on a printed circuit board and a continuous fortified coating, this flexible, high density LED lighting strip creates our Luniform look without dark spots – no covers or filters needed!



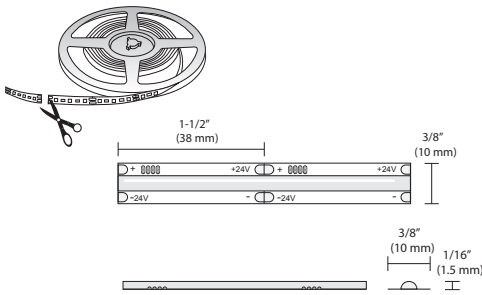
Dimensions:



Specifications:

Wattage	Lumens	Efficacy (lm/W)	Input Voltage	Diode Life	Max Per Power Supply 96W	Max Continuous Run	Mounting	Warranty	Beam Angle
5.5W/ft. (18.1W/m)	420 per ft (1386 per m)	76.4	24VDC	50,000 Hours	16.4' (5 m)	16.4' (5 m)	Surface	5 year	
Photometric Data					Color Temperature				
	Height	Light Output	Beam Area						
	1ft (.3m)	123Fc (1324lx)	3.1ft Lx8.5ft W (.94m Lx2.6m W)	Warm White	Warm to Neutral		Cool White	Daylight	
	3ft (.9m)	13.6Fc (146.3lx)	9.3ft Lx32.6ft W (2.9m Lx7.8m W)	2700K	3000K	3500K	4500K	5500K	6500K
	6ft (1.8m)	3.41Fc (36.7lx)	18.7ft Lx51.2ft W (5.7m Lx15.6m W)	▲ Warm (2700K)	▲ Warm (3000K)	▲ Neutral (3500K)	▲ Cool (4800K)	▲ Daylight (6500K)	
L-FLXCOB24-48RU-1 Tested									

● 24VDC COB FlexTape® 5.5W



Part #	Description	SLP
L-FLXCOB24-27RU-1	24VDC 5.5W/FT 2700K COB FlexTape® 16.4' (5 m) Roll	\$324.15
L-FLXCOB24-30RU-1	24VDC 5.5W/FT 3000K COB FlexTape® 16.4' (5 m) Roll	\$324.15
L-FLXCOB24-35RU-1	24VDC 5.5W/FT 3500K COB FlexTape® 16.4' (5 m) Roll	\$324.15
L-FLXCOB24-48RU-1	24VDC 5.5W/FT 4800K COB FlexTape® 16.4' (5 m) Roll	\$324.15
L-FLXCOB24-65RU-1	24VDC 5.5W/FT 6500K COB FlexTape® 16.4' (5 m) Roll	\$324.15

Maximum continuous run is 16.4' (5 m). Maximum per power supply is 16.4' (5 m). Mounts with adhesive backing. Cuttable every 1-1/2" (38 mm) . To be used on clean, smooth surfaces. Pressure must be applied for proper 3M™ tape adhesion.

● 24VDC Power Supplies



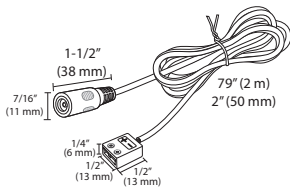
Part #	Description	SLP
L-24DCELT96-1	96W 24VDC Power Supply w/ 5 Barrel Out - White†	\$168.90
L-24DCELT48-BL-1	48W 24VDC Power Supply w/ 5 Barrel Out - Black†	\$134.20
L-24DCELT15WP-1	15W 24VDC Wall Mount Power Supply w/ Snap Connector*†	\$53.35
L-24DCH96X1-1	96W 24VDC Dimmable Hardwire Power Supply*§	\$270.65
L-24DCH96X3-1	288W 24VDC Dimmable Hardwire Power Supply*§	\$509.45
L-1BRL5-1	Extra 5 Output Barrel Splice	\$17.40

*Does not come with 5 Output Barrel Splice

†Dimmable on trailing edge (24VDC side)

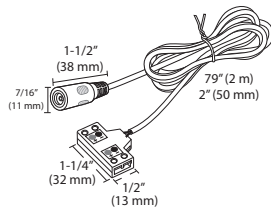
§Dimmable by LED line voltage (120V) wall dimmers

● 24VDC Starter Cord for COB



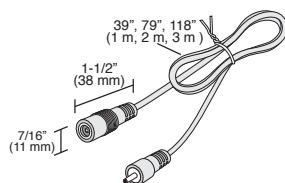
Part #	Description	SLP
L-24B2SPKT-2M-1	2 m (79") 24VDC FlexTape® Barrel/2 Screw Trml Starter Lead, White	\$15.50

● 24VDC Tee Starter Cord for COB



Part #	Description	SLP
L-24B2SPKT-2M-TEE-1	2 m (79") 24VDC FlexTape® Barrel/2 Screw Trml Tee Starter Lead, White	\$20.60

● 24VDC Extension Lead



Part #	Description	SLP
L-24BBEXT-1M-1	1 m (39") 24VDC ML/FML Barrel Extension, White	\$7.70
L-24BBEXT-2M-1	2 m (79") 24VDC ML/FML Barrel Extension, White	\$11.35
L-24BBEXT-3M-1	3 m (119") 24VDC ML/FML Barrel Extension, White	\$15.50

24VDC COB FLEXTAPE USES STANDARD FLEXTAPE® LINK CORDS, TEE CONNECTOR AND 90-DEGREE CONNECTOR. SEE PAGE 445. SEE PAGE 451 FOR COB BACK TO BACK CONNECTOR.



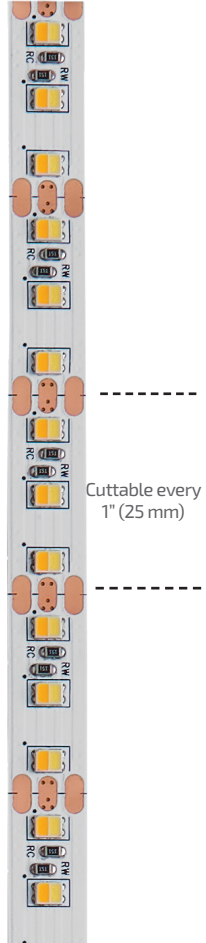
COMPONENTS: POWER SUPPLIES, CONTROLLERS & MORE SEE PAGE 478.



12VDC

NEW!

White Tunable FlexTape®



3W/ft.
(9.8W/m)

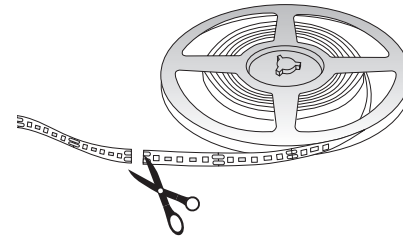
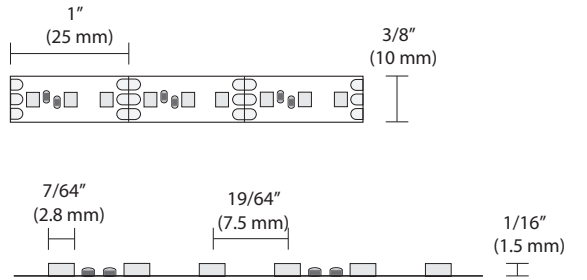
345 Lumens
per ft.
(1132 per meter)



Changing your light source's color temperature is easy with Tresco® White Tunable CCT FlexTape® lighting solution. Select between warmer lighting that highlights natural wood grains and earth tones or cool lighting to highlight whites; perfect for cabinet, task or accent lighting and store fixtures. The low profile and adhesive 3M™ backing give this LED lighting solution the versatility to install in a multitude of places. Eliminate the guesswork and get the LED that pairs perfectly with your general lighting and overall design.



Dimensions:



16.4' (5 m)
roll length

Specifications:

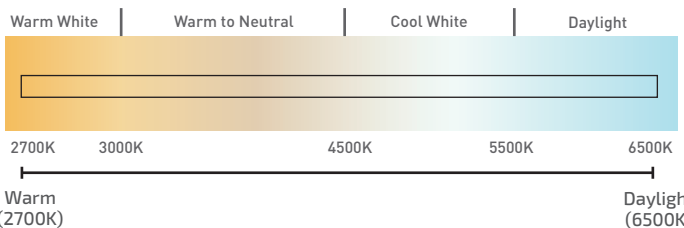
Wattage	Lumens	Efficacy (lm/W)	Input Voltage	Diode Life	Max Per Power Supply 60W	Max Continuous Run	Mounting	Warranty	Beam Angle
3W/ft. (9.8W/m)	345 per ft. (1132 per m)	115	12VDC	50,000 Hours	20' (6 m)	16.4' (5 m)	Surface	5 Year	

Photometric Data

Height	Light Output	Beam Area
1ft (.3 m)	114Fc (1227lx)	3.2ft L x 3ft W (.97 m L x .91 m W)
3ft (.9 m)	12.7Fc (136.7lx)	9.7ft L x 9ft W (2.9 m L x 2.7 m W)
6ft (1.8 m)	3.17Fc (34.1lx)	19.4ft L x 18.1ft W (5.9 m L x 5.5 m W)

L-FLXTPE-12CCT-1 Tested at 4600K

Color Temperature

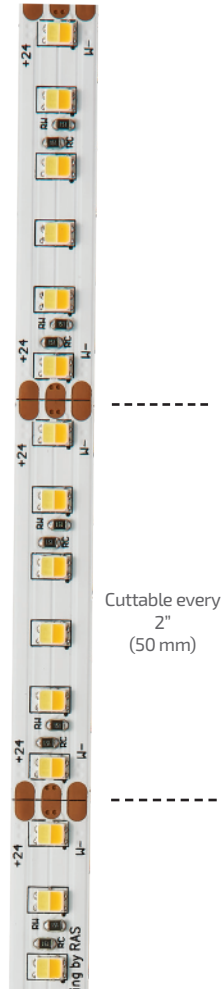




24VDC

NEW!

White Tunable FlexTape®



3W/ft.
(9.8W/m)

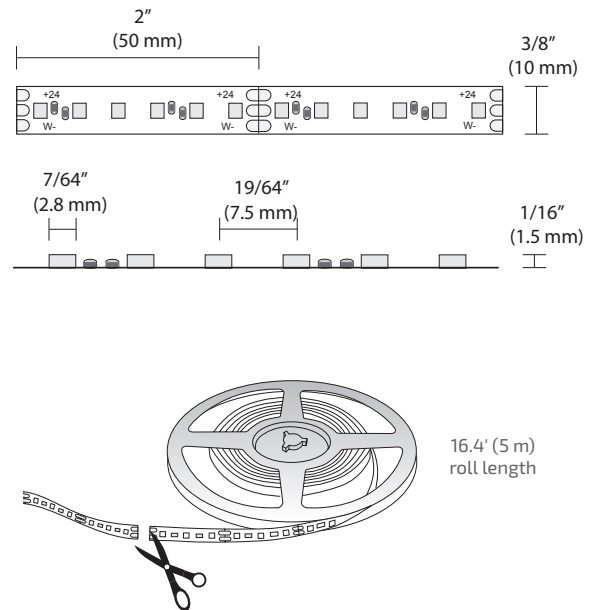
345 Lumens
per ft.
(1132 per meter)



Changing your light source's color temperature is easy with Tresco® White Tunable CCT FlexTape® lighting solution. Select between warmer lighting that highlights natural wood grains and earth tones or cool lighting to highlight whites; perfect for cabinet, task or accent lighting and store fixtures. The low profile and adhesive 3M™ backing give this LED lighting solution the versatility to install in a multitude of places. Eliminate the guesswork and get the LED that pairs perfectly with your general lighting and overall design.



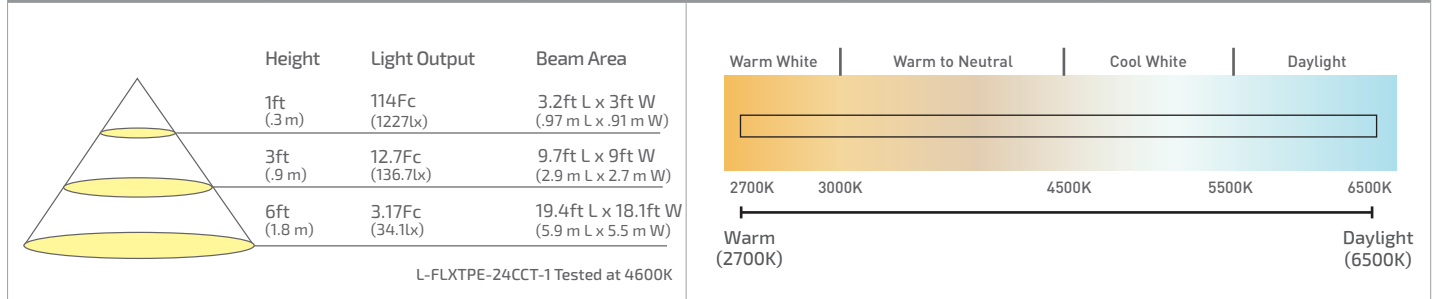
Dimensions:



Specifications:

Wattage	Lumens	Efficacy (lm/W)	Input Voltage	Diode Life	Max Per Power Supply 96W	Max Continuous Run	Mounting	Warranty	Beam Angle
3W/ft. (9.8W/m)	345 per ft. (1132 per m)	115	24VDC	50,000 Hours	30'(9m)	16.4' (5 m)	Surface	5 Year	115°

Photometric Data	Color Temperature
------------------	-------------------

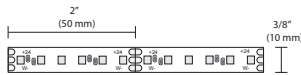


12/24VDC White Tunable FlexTape®

12VDC:



24VDC:



Part #	Description	SLP
L-FLXTPE-12CCT-1	12VDC 3W/FT CCT FlexTape® 16.4' (5 m) Roll	\$257.30
L-FLXTPE-24CCT-1	24VDC 3W/FT CCT FlexTape® 16.4' (5 m) Roll	\$257.30

Maximum continuous run is 16.4' (5 m). Maximum per power supply is 12VDC: 20' (6 m), 24VDC: 30' (5 m). Mounts with adhesive backing. 12VDC is cuttable every 1" (25 mm), 24VDC is cuttable every 2" (50 mm). To be used on clean, smooth surfaces. Pressure must be applied for proper 3M™ tape adhesion.

12/24VDC Power Supplies



For details see Power Supplies on Page 478.

Power supplies for 12VDC work with 12VDC CCT FlexTape®, Power supplies for 24VDC work with 24VDC CCT FlexTape®

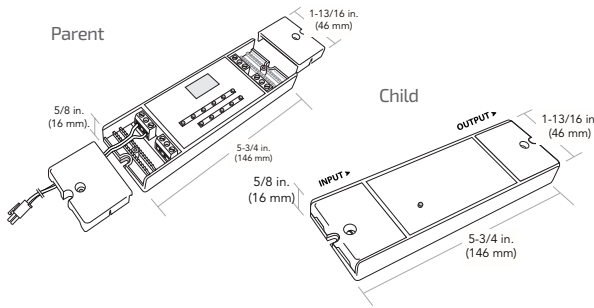
12/24VDC CCT Starter Cord



Part #	Description	SLP
L-TPEPKT-2M-CCT-1	2 m (79") FlexTape CCT Starter Lead	\$11.60
L-TPEPKT-2IN-CCT-1	50 mm (2") FlexTape CCT Starter Lead	\$6.65

5/8" (16 mm) hole required.
Maximum linear run of White Tunable FlexTape® LED from one starter cord is 16.4' (5 m).

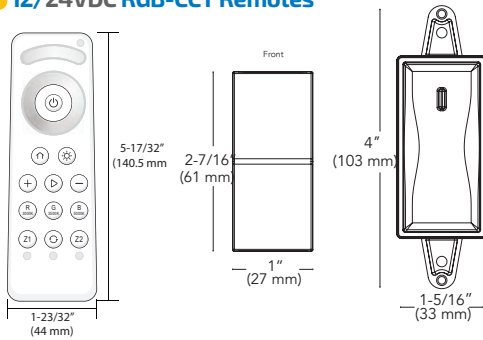
12/24VDC RGB-CCT Receivers



Part #	Description	SLP
L-RGBCCT1-PREC-1	12/24VDC RGBCCT Parent Controller/Receiver	\$134.45
L-RGBCCT1-CREC-1*	12/24VDC RGBCCT Child Controller/Receiver	\$121.65

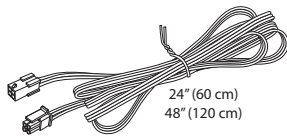
*Child Receiver is optional
6 output adaptor sold separately

12/24VDC RGB-CCT Remotes



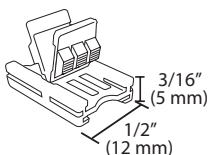
Part #	Description	SLP
L-RGBCCT-RMT-1	RGBCCT Wireless Remote	\$85.55
L-WLD-CCT-WH-1	CCT FREEDiM Deco Wall Dimmer White	\$137.85
L-WLD-RGB-WH-1	RGB FREEDiM Deco Wall Dimmer White	\$137.85

12/24VDC Starter CCT Extension Leads



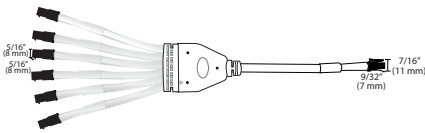
Part #	Description	SLP
L-CCTEXT-60-1	60 cm (24") CCT FlexTape Starter Extension Lead	\$8.05
L-CCTEXT-120-1	120 cm (48") CCT FlexTape Starter Extension Lead	\$9.95

12/24VDC CCT Back-to-Back Connector



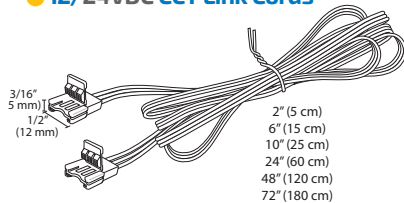
Part #	Description	SLP
L-TPE-BTB-CCT-1	CCT FlexTape® Back-to-Back Connector	\$2.00

● 12/24VDC 6 Output Adaptor



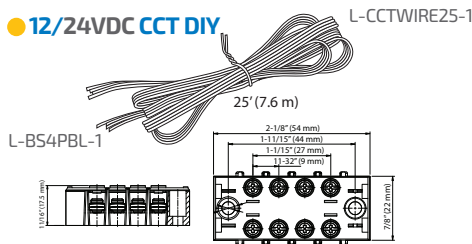
Part #	Description	SLP
L-4P60-1	4 Position, 6 Output Adaptor - White	\$31.85

● 12/24VDC CCT Link Cords



Part #	Description	SLP
L-TPELNK5-CCT-1	5 cm (2") CCT FlexTape® Link Cord	\$3.45
L-TPELNK15-CCT-1	15 cm (6") CCT FlexTape® Link Cord	\$4.15
L-TPELNK25-CCT-1	25 cm (10") CCT FlexTape® Link Cord	\$4.50
L-TPELNK60-CCT-1	50 cm (24") CCT FlexTape® Link Cord	\$5.70
L-TPELNK120-CCT-1	120 cm (48") CCT FlexTape® Link Cord	\$7.00
L-TPELNK180-CCT-1	180 cm (72") CCT FlexTape® Link Cord	\$8.50

● 12/24VDC CCT DIY



Part #	Description	SLP
L-CCTWIRE25-1	25' (7.6 m) 20AWG CCT Wire Roll	\$16.10
L-BS4PBL-1	12/24VDC Barrier Splice 4 Position Black	\$7.10



COMPONENTS: POWER SUPPLIES, CONTROLLERS & MORE SEE PAGE 478.

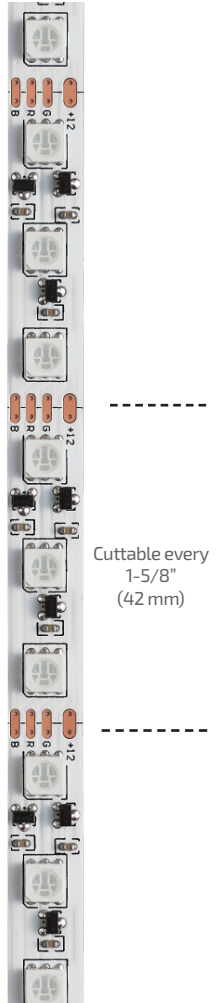


12VDC

NEW!

RGB Tunable FlexTape®

BALANCE



Cuttable every 1-5/8" (42 mm)

4.4W/ft.
(14.4W/m)

Red	Green	Blue
48 Lumens per ft. (157 per meter)	121 Lumens per ft. (397 per meter)	35 Lumens per ft. (115 per meter)



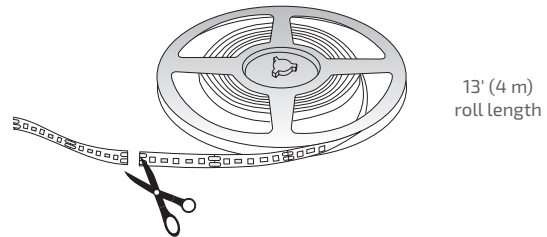
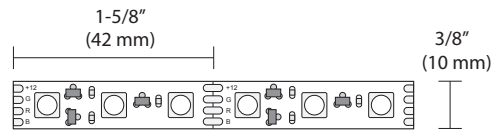
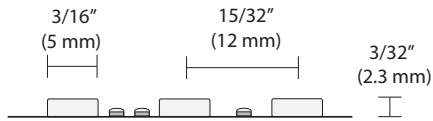
Tresco's RGB Balance FlexTape® goes the distance, with 16 million color variations and On-Board Constant Current Regulators creating consistent dramatic lighting is a reality. Created for high-end projects including residential, hospitality and commercial.

Why Balance

All tape lighting has inherent voltage drop. This voltage drop can cause color shift in longer runs of RGB. The On-Board Constant Current Regulators prevent this from happening resulting in balanced color from start to finish.

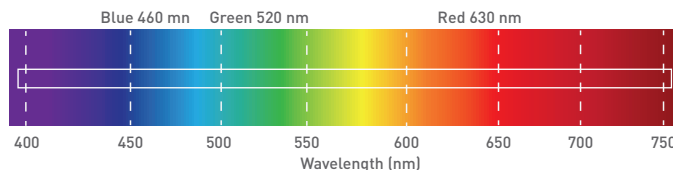


Dimensions:



Specifications:

Wattage	Lumens	Input Voltage	Diode Life	Max Per Power Supply 60W	Max Continuous Run	Mounting	Warranty	Beam Angle
4.4W/ft. (14.4W/m)	Red: 48 per ft. (157 per m) Green: 121 per ft. (397 per m) Blue: 35 per ft. (115 per m)	12VDC	50,000 Hours	13' (4 m)	13' (4 m)	Surface	5 Year	120°



Wavelengths are averages.

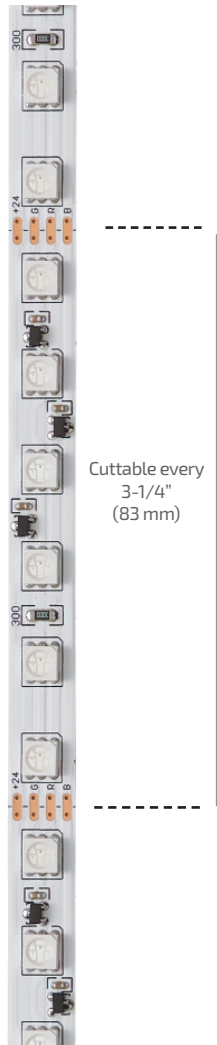


NEW!

RGB Tunable FlexTape®

BALANCE

24V DC



Cutttable every
3-1/4"
(83 mm)

4.4W/ft.
(14.4W/m)

Red	Green	Blue
51 Lumens per ft. (167 per meter)	117 Lumens per ft. (384 per meter)	41 Lumens per ft. (135 per meter)



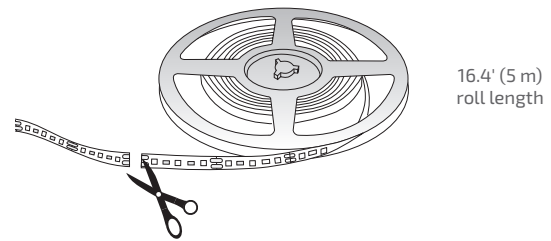
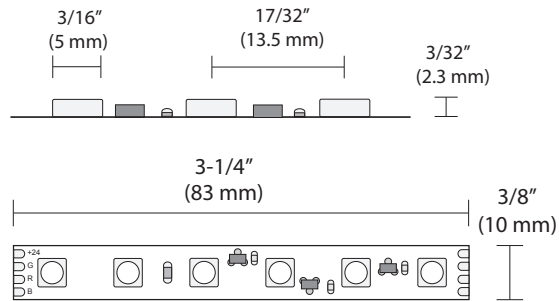
Tresco®'s RGB Balance FlexTape® goes the distance, with 16 million color variations and On-Board Constant Current Regulators creating consistent dramatic lighting is a reality. Created for high-end projects including residential, hospitality and commercial

Why Balance

All tape lighting has inherent voltage drop. This voltage drop can cause color shift in longer runs of RGB. The On-Board Constant Current Regulators prevent this from happening resulting in balanced color from start to finish.

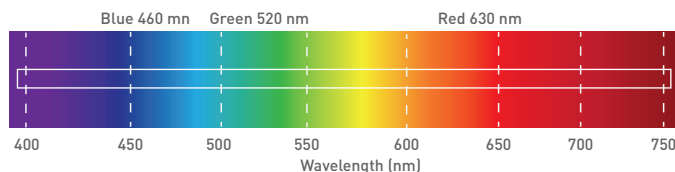


Dimensions:



Specifications:

Wattage	Lumens	Input Voltage	Diode Life	Max Per Power Supply 96W	Max Continuous Run	Mounting	Warranty	Beam Angle
4.4W/ft. (14.4W/m)	Red: 51 per ft. (167 per m) Green: 117 per ft. (384 per m) Blue: 41 per ft. (135 per m)	24VDC	50,000 Hours	21' (6.4 m)	16.4' (5 m)	Surface	5 Year	



Wavelengths are averages.





24VDC

NEW!

RGB Tunable FlexTape[®]

STANDARD

4.4W/ft.
(14.4W/m)

Red	Green	Blue
51 Lumens per ft. (167 per meter)	117 Lumens per ft. (384 per meter)	41 Lumens per ft. (135 per meter)

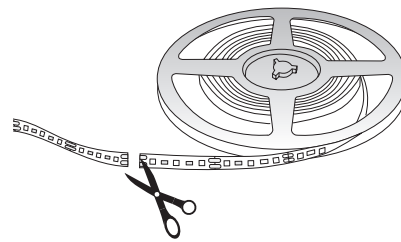
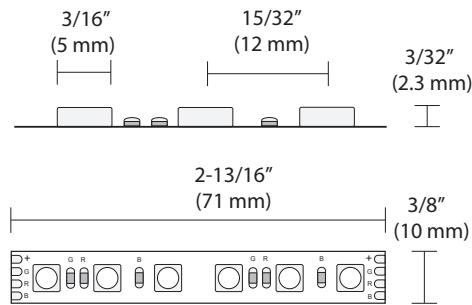


Creating dramatic lighting with 16 million colors is a reality with Tresco Lightings RGB Standard color-changing FlexTape[®]. Created and priced for everyday projects.



Cuttable every 2-13/16" (71 mm)

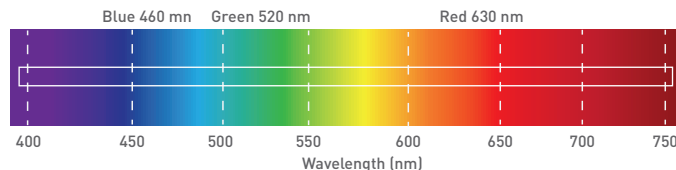
Dimensions:



16.4' (5 m) roll length

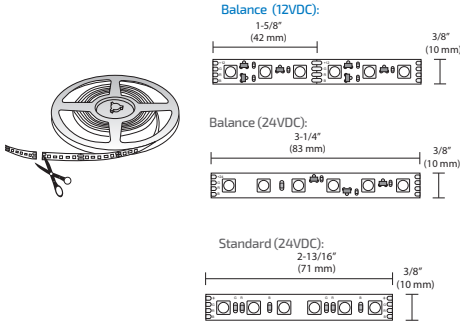
Specifications:

Wattage	Lumens	Input Voltage	Diode Life	Max Per Power Supply 96W	Max Continuous Run	Mounting	Warranty	Beam Angle
4.4W/ft. (14.4W/m)	Red: 51 per ft. (167 per m) Green: 117 per ft. (384 per m) Blue: 41 per ft. (135 per m)	24VDC	50,000 Hours	21' (6.4 m)	16.4' (5 m)	Surface	5 Year	120°



Wavelengths are averages.

● 12/24VDC RGB Tunable FlexTape®



Part #	Description	SLP
L-FLXTPE-12RGB-1	12VDC 4.4W/FT RGB FlexTape W/IC 13' (4 m) Roll	\$397.65
L-FLXTPE-24RGB-1	24VDC 4.4W/FT RGB FlexTape W/IC 16.4' (5 m) Roll	\$447.35
L-TPELED-24RGB-1	24VDC 4.4W/FT RGB Tape LED 16.4' (5 m) Roll	\$197.75

Maximum continuous run is 13' (4 m) for 12VDC and 16.4' (5 m) for 24VDC. Maximum per power supply is 12VDC: 13' (4 m), 24VDC: 16.4' (5 m). Mounts with adhesive backing. Standard 24VDC is cuttable every 2-13/16" (71 mm), RGB Balance 12VDC is cuttable every 1-5/8" (42 mm), RGB Balance 24VDC is cuttable every 3-1/4" (83 mm). To be used on clean, smooth surfaces. Pressure must be applied for proper 3M™ tape adhesion.

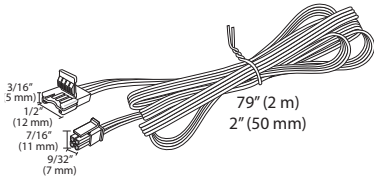
● 12/24VDC Power Supplies



For details see Power Supplies on Page 478.

Power supplies for 12VDC work with 12VDC RGB FlexTape®, Power supplies for 24VDC work with 24VDC RGB FlexTape®

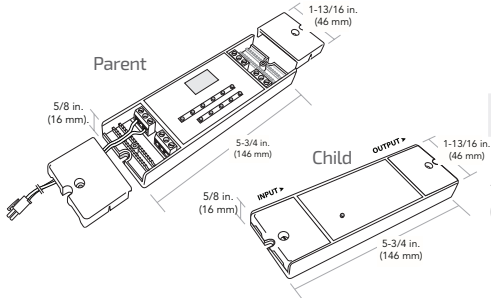
● 12/24VDC RGB Starter Cord



Part #	Description	SLP
L-TPEPKT-2IN-RGB-1	50 mm (2") FlexTape RGB Starter Lead	\$6.65
L-TPEPKT-2M-RGB-1	2 m (79") FlexTape RGB Starter Lead	\$11.60

5/8" (16 mm) hole required.
Maximum linear run of RGB Tunable FlexTape® LED from one starter cord is 16.4' (5 m).

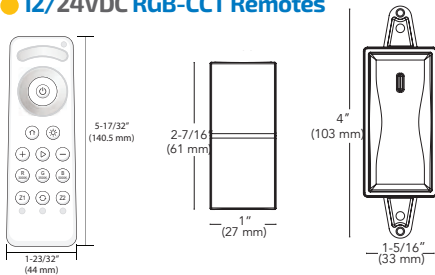
● 12/24VDC RGB-CCT Receivers



Part #	Description	SLP
L-RGBCCT1-PREC-1	12/24VDC RGBCCT Parent Controller/Receiver	\$134.45
L-RGBCCT1-CREC-1*	12/24VDC RGBCCT Child Controller/Receiver	\$121.65

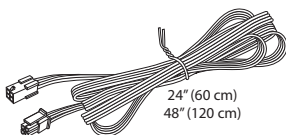
*Child Receiver is optional
6 output adaptor sold separately.

● 12/24VDC RGB-CCT Remotes



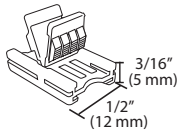
Part #	Description	SLP
L-RGBCCT-RMT-1	RGBCCT Wireless Remote	\$85.55
L-WLD-CCT-WH-1	CCT FREEDiM Deco Wall Dimmer White	\$137.85
L-WLD-RGB-WH-1	RGB FREEDiM Deco Wall Dimmer White	\$137.85

● 12/24VDC RGB Starter Extension Leads



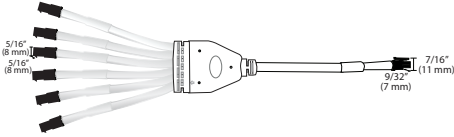
Part #	Description	SLP
L-RGBEXT-60-1	60 cm (24") RGB FlexTape Starter Extension Lead	\$8.05
L-RGBEXT-120-1	120 cm (48") RGB FlexTape Starter Extension Lead	\$9.95

● 12/24VDC RGB Back-to-Back Connector



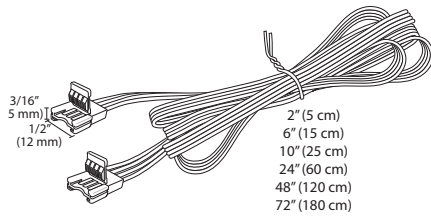
Part #	Description	SLP
L-TPE-BTB-RGB-1	RGB FlexTape® Back-to-Back Connector	\$2.00

● 12/24VDC 6 Output Adaptor



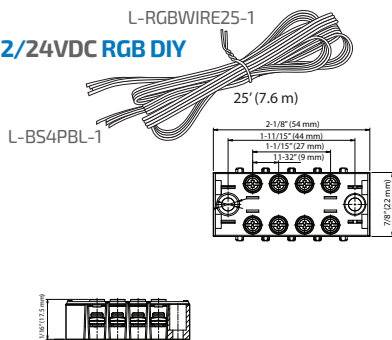
Part #	Description	SLP
L-4P6O-1	4 Position, 6 Output Adaptor - White	\$31.85

● 12/24VDC RGB Link Cord



Part #	Description	SLP
L-TPELNK5-RGB-1	5 cm (2") RGB FlexTape® Link Cord	\$3.45
L-TPELNK15-RGB-1	15 cm (6") RGB FlexTape® Link Cord	\$4.15
L-TPELNK25-RGB-1	25 cm (10") RGB FlexTape® Link Cord	\$4.50
L-TPELNK60-RGB-1	60 cm (24") RGB FlexTape® Link Cord	\$5.70
L-TPELNK120-RGB-1	120 cm (48") RGB FlexTape® Link Cord	\$7.00
L-TPELNK180-RGB-1	180 cm (72") RGB FlexTape® Link Cord	\$8.50

● 12/24VDC RGB DIY



Part #	Description	SLP
L-RGBWIRE25-1	25' (7.6 m) 22AWG RGB Wire Roll	\$16.10
L-BS4PBL-1	12/24VDC Barrier Splice 4 Position Black	\$7.10



COMPONENTS: POWER SUPPLIES, CONTROLLERS & MORE SEE PAGE 478.



12VDC

24VDC

Infinex

EXTRUSION STYLES AND FEATURES

Infinex is the innovative, patented, LED aluminum extrusion system by Tresco Lighting. Gone are the days of set fixture sizes, simply choose your style, cut to desired length and assemble to create a customized LED fixture. Designed by our in-house engineers and made in the USA, Infinex carries a UL safety certification and is available in six profiles with an array of installation options.

Infinex is designed for easy DIY application. We also offer prefabricated custom solutions with a minimum quantity order.

US PATENT NO: D783,533 and 9,618,194

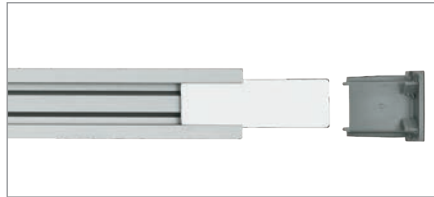
SQUARE



MOUNTING



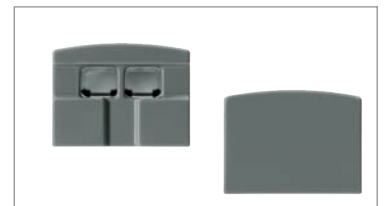
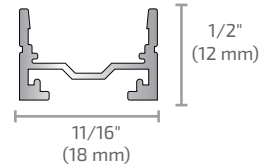
U-Clips sold separately



Couplers Sold Separately



Profile



End Caps Sold Separately

Features

- Surface mount using magnets, U-Clips or screws
- Easily slide magnets into channel on bottom of light
- Uses Infinex starter leads

Available stock finishes



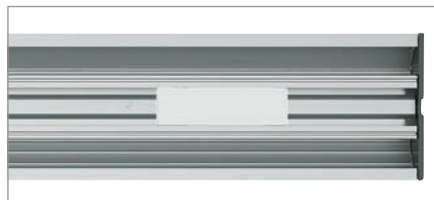
CURVE



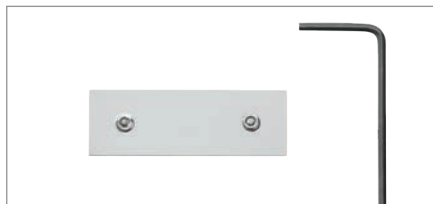
MOUNTING



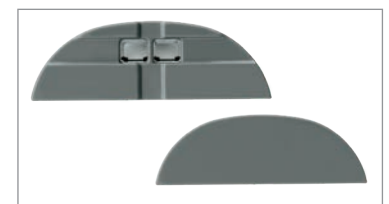
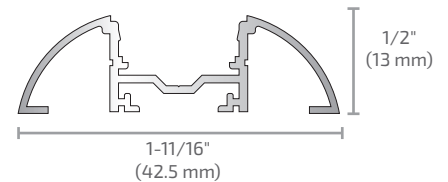
U-Clips sold separately



Couplers Sold Separately



Profile



End Caps Sold Separately

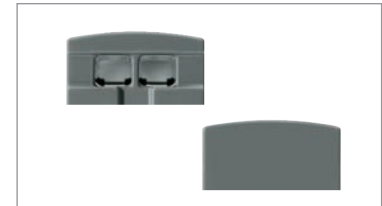
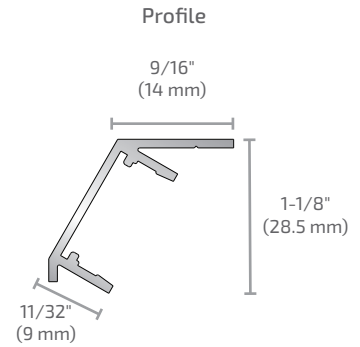
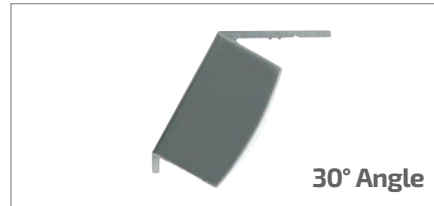
Features

- Surface mount using magnets, U-Clips or screws
- Easily slide magnets into channel on bottom of light
- Uses Infinex starter leads

Available stock finishes



ANGLE

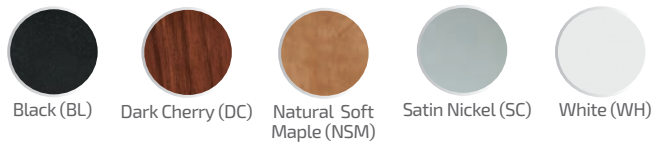


End Caps Sold Separately

Features

- For corner mounting with screws only
- Fixture directs light at 30° angle
- Uses Infinex starter leads

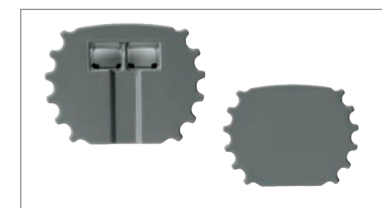
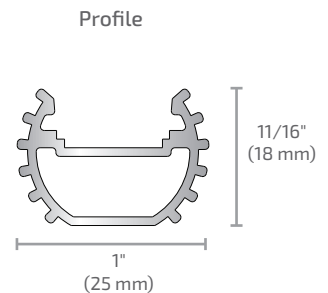
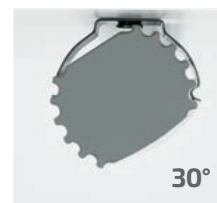
Available stock finishes



ROUND



U-Clips sold separately

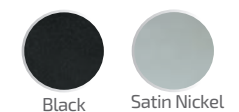


End Caps Sold Separately

Features

- U-Clip mounting allows fixture to be rotated in 15° increments either direction (30°, 15°, 0°, -15°, -30°)
- Uses Infinex starter leads

Available finishes



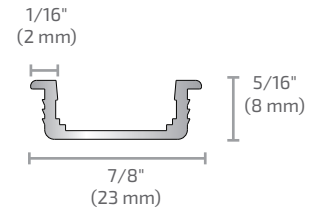
RECESSED



Mounting



Profile



End Caps Sold Separately

Features

Grooved sides allow extrusion to pressure fit into place*

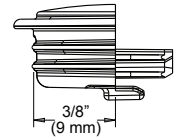
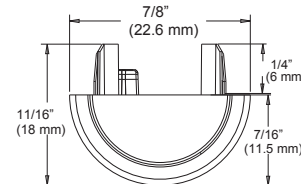
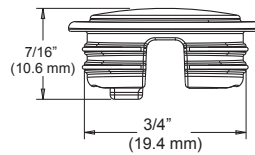
Uses standard FlexTape® starter lead

*With Endcap: Route a channel in wood 21/64" (8.33 mm) depth minimum x .750" (19 mm) width and pressure fit this extrusion in place.

Without Endcap: Route a channel in wood 9/32" (7.14 mm) depth minimum x .750" (19 mm) width and pressure fit this extrusion in place.

Recessed extrusion uses standard FlexTape® starter lead. (L-LED-TPEPKT-2M-1, L-24B2SPKT-2M-1)

Recessed End Cap Dimensions:



Available finishes



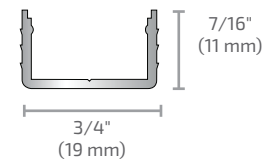
FLUSH



Mounting



Profile



No End Caps

Features

No end caps...this extrusion is meant for channels that go the entire width or height of the casework

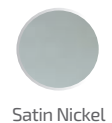
Comes with milk diffuser (unattached)

Uses standard FlexTape® starter lead

*Route a channel in wood 7/16" (11 mm) depth x 3/4" (19 mm) width and pressure fit this extrusion in place.

Flush extrusion uses standard FlexTape® starter lead. (L-LED-TPEPKT-2M-1, L-24B2SPKT-2M-1)

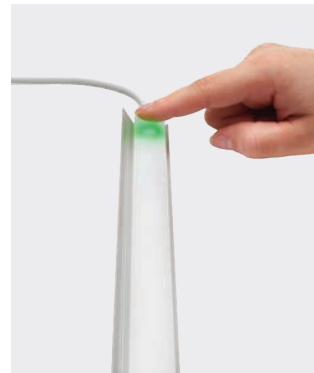
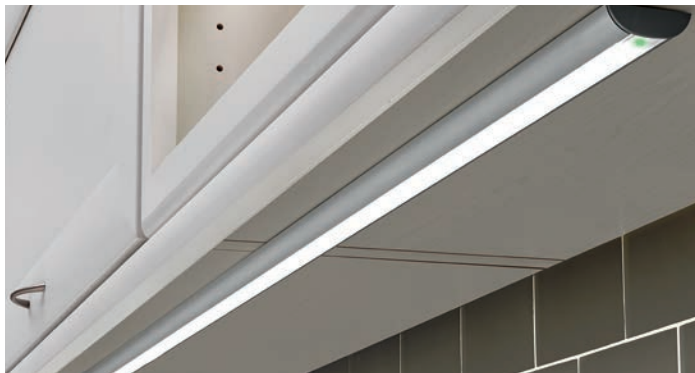
Available finishes



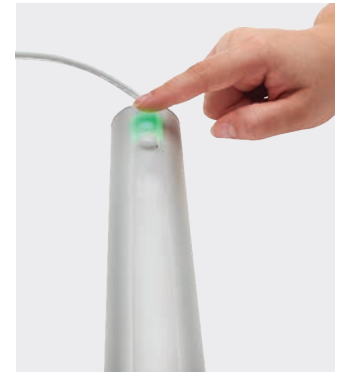
Satin Nickel



NEW! INFINEX INTEGRATED CONTROL OPTIONS



Dimmer Only



Dimmer/Motion Combo

Features:

Controls are elegantly and fully integrated into the made-to-order Infinox fixture

ON/OFF and dimming controls use a glowing digital button for easy visual recognition

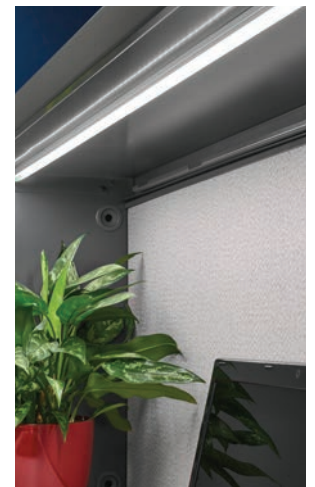
An optional fully-integrated occupancy sensor available to automatically turn the fixture off after 30-minutes of no activity or Tresco® can customize the desired time delay

Easily switch between manual and occupancy sensor modes

Returns to last setting when turned on

Typical Applications:

- Hospitality applications utilizing the integrated occupancy sensor for:
 - Hotel or hospital closet, vanity or headboard lighting
 - Task lighting for nurses' stations
- Attach under: furniture and bathroom cabinetry
- Office furniture: task lighting under overhead shelves, bins, cabinets and privacy booths
- Under residential or commercial cabinetry to illuminate a countertop and/or backsplash
- Retail: utilize the integrated occupancy sensor to turn display lighting on when customers approach



Dimmer Only

- Touch ON/OFF
- Gradual dimming from 100%-5%
- Power failure memory (retains last setting)
- 10 hour automatic energy saving shutoff

Dimmer/Motion Sensor Combo

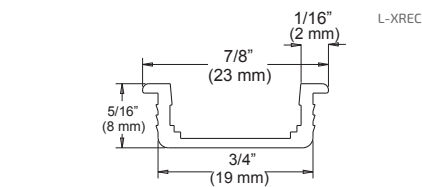
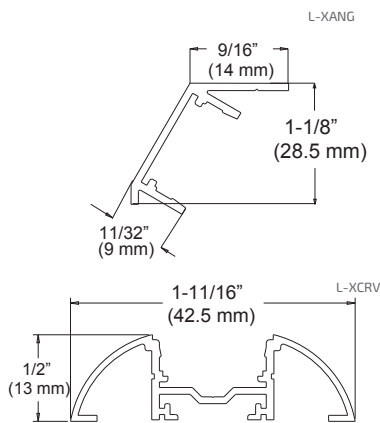
- 4 step dimming 100/75/50/25
- 30 minute preset motion sensor*
- Motion sensor can be deactivated
- Dimmer works in motion sensor mode or standalone mode
- 10 hour automatic energy saving shutoff in dimmer only mode

*Motion sensor time can be customized by Tresco® Lighting

Not sold individually for DIY Infinox

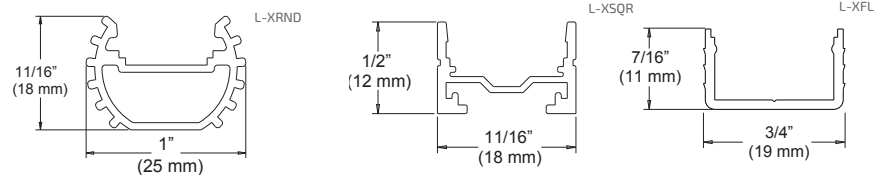


Extrusions



Part #	Description	SLP	Required	Optional
L-XANG72-SC-1	72" (1.8 m) Angled Extrusion Satin Clear	\$37.50	●	●
L-XANG72-**-1	72" (1.8 m) Angled Extrusion Other Finishes	\$56.55	●	●
L-XCRV72-SC-1	72" (1.8 m) Curved Extrusion Satin Clear	\$55.40	●	●
L-XCRV72-**-1	72" (1.8 m) Curved Extrusion Other Finishes	\$66.15	●	●
L-XREC72-SC-1	72" (1.8 m) Recessed Extrusion Satin Clear	\$32.45	●	●
L-XREC94-SC-1	94" (2.4 m) Recessed Extrusion Satin Clear	\$44.75	●	●
L-XREC72-BL-1	72" (1.8 m) Recessed Extrusion Black	\$38.80	●	●
L-XRND72-SC-1	72" (1.8 m) Round Extrusion Satin Clear	\$44.95	●	●
L-XRND72-BL-1	72" (1.8 m) Round Extrusion Black	\$53.00	●	●
L-XSQR72-SC-1	72" (1.8 m) Square Extrusion Satin Clear	\$33.35	●	●
L-XSQR72-**-1	72" (1.8 m) Square Extrusion Other Finishes	\$52.05	●	●
L-XFL72-SC-1	72" (1.8 m) Flush Extrusion Satin Clear with Milk Diffuser	\$47.95	●	●
L-XFL94-SC-1	94" (2.4 m) Flush Extrusion Satin Clear with Milk Diffuser	\$62.25	●	●

**Insert BL for Black, WH for White, DC for Dark Cherry, NSM for Natural Soft Maple



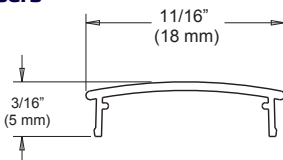
Power Supplies



For details see Power Supplies on Page 478.

Infinex works with all Tresco 12VDC and 24VDC power supplies.

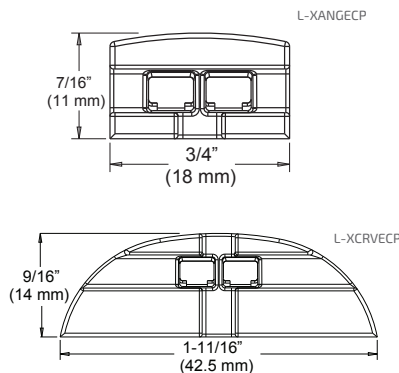
Diffusers



Part #	Description	SLP 72"	SLP 94"
L-X**-DIFF-CL-1	Diffuser Clear	\$15.05	\$19.65
L-X**-DIFF-FR-1	Diffuser Frosted	\$15.05	\$19.65
L-X**-DIFF-MLK-1	Diffuser Milk	\$16.70	\$21.80

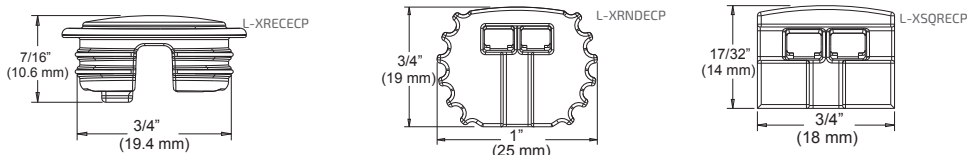
**Insert 72 for 72" (1.8 m) length, or 94 for 94" (2.4 m) length

End Cap Sets

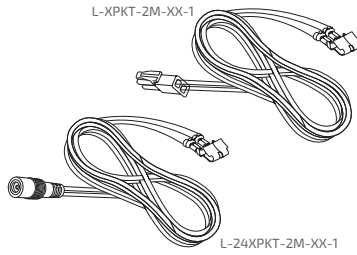


Part #	Description	SLP
L-XANGECP-GY-1	Angled end cap set, Gray	\$3.30
L-XANGECP-**-1	Angled end cap set, Other Colors	\$3.80
L-XCRVECP-GY-1	Curved end cap set, Gray	\$3.30
L-XCRVECP-**-1	Curved end cap set, Other Colors	\$3.80
L-XRECECP-GY-1	Recessed end cap set, Gray	\$3.30
L-XRECECP-BL-1	Recessed end cap set, Black	\$3.80
L-XRNDCECP-GY-1	Round end cap set, Gray	\$3.80
L-XRNDCECP-BL-1	Round end cap set, Black	\$3.80
L-XSQRECP-GY-1	Square end cap set, Gray	\$3.30
L-XSQRECP-**-1	Square end cap set, Other Colors	\$3.80

**Insert BL for Black, WH for White, B1 for Dark Brown, B2 for Tan
Flush extrusion does not take end caps.



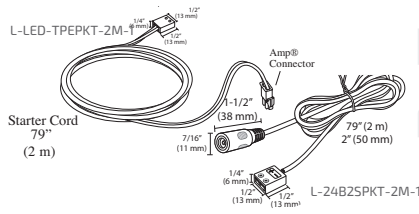
● **12/24VDC Infinex Starter Cords**



Part #	Description	SLP
L-XPKT-2M-BL-1	79" (2 m) 12VDC Infinex Starter Cord Black	\$9.70
L-XPKT-2IN-BL-1	2" (50 mm) 12VDC Infinex Starter Cord Black	\$4.50
L-XPKT-2M-WH-1	79" (2 m) 12VDC Infinex Starter Cord White	\$9.70
L-XPKT-2IN-WH-1	2" (50 mm) 12VDC Infinex Starter Cord White	\$4.50
L-24XPKT-2M-BL-1	79" (2 m) 24VDC Infinex Starter Cord Black	\$9.70
L-24XPKT-2M-WH-1	2" (50 mm) 24VDC Infinex Starter Cord Black	\$9.70

To be used with square, curved, round and angled extrusions only.

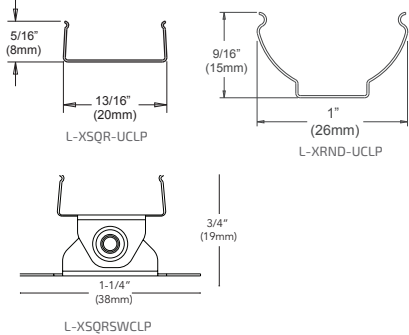
● **12/24VDC Standard FlexTape® Starter Cords**



Part #	Description	SLP
L-LED-TPEPKT-2M-1	79" (2 m) 12VDC FlexTape® Straight Starter Lead	\$9.95
L-TPEPKT-2IN-1	2" (50 mm) 12VDC FlexTape® Straight Starter Lead	\$7.00
L-24B2SPKT-2M-1	2 m (79") 24VDC FlexTape® Barrel/2 Screw Trml Starter Lead, White	\$15.50

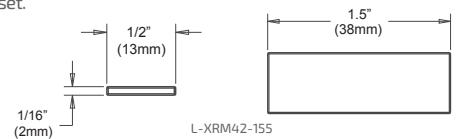
Recessed and Flush extrusions uses standard FlexTape® starter lead.

● **U-Clips/Magnets**

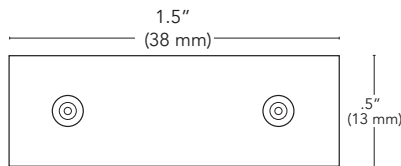


Part #	Description	SLP
L-XRND-UCLP-1	Round U-Clips Set (2 Clips)	\$2.35
L-XSQR-UCLP-1	Square/Curved U-Clips Set (2 Clips)	\$2.35
L-XSQRSWCPL-1	Square/Curved Swivel Clips Set (2 Clips)	\$4.25
L-XRM42-155-1	Set of 2 Magnets	\$5.10
L-EXTMP-VHB-1	Set of 2 Mounting Plates	\$5.45

One U-Clip/magnet is recommended for every 1 ft. (.3 m) of extrusion. No. #4 Phillips flat head screws are included with each U-Clip set. Mounting Plates to be used with magnet mounted Infinex.



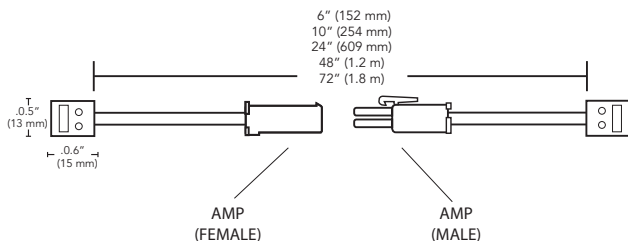
● **Couplers**



Part #	Description	SLP
L-EXTBTB10-1	Pack of 10 Couplers	\$20.60

To be used on square and curved extrusions only.

● **12/24VDC Linking Cords**



Part #	Description	SLP
L-XLNK-15-**-1	6" (15 cm) Infinex Linking Cord	\$10.20
L-XLNK-25-**-1	10" (25 cm) Infinex Linking Cord	\$10.65
L-XLNK-60-**-1	24" (60 cm) Infinex Linking Cord	\$12.05
L-XLNK-120-**-1	48" (120 cm) Infinex Linking Cord	\$13.35
L-XLNK-180-**-1	72" (180 cm) Infinex Linking Cord	\$15.15

** Insert BL for Black and WH for White

End Caps not used on linked extrusion ends.




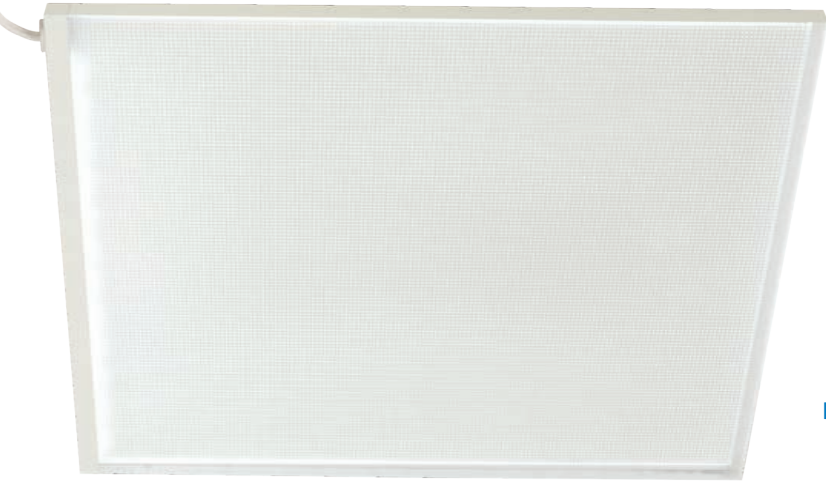
COMPONENTS: POWER SUPPLIES, CONTROLLERS & MORE SEE PAGE 478.



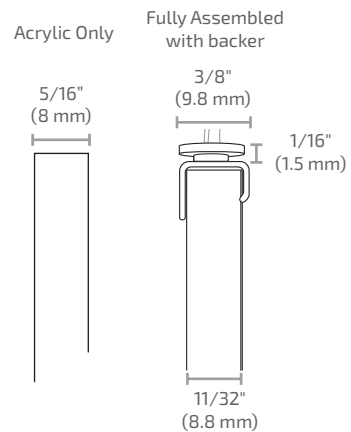
12VDC

Etch Panels provide the perfect solution for commercial and residential backlighting and shelf lighting applications with high light output, uniform intensity and an extremely low profile between the LED panel and the illuminated material. Order it fully constructed or pre-etched panels only.

US PATENT NO: 10,113,708 and 10,473,305

Dimensions:

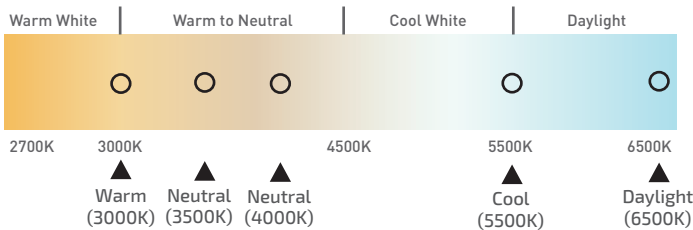


Thicknesses are subject to the industry standard of +/-10% for acrylic

Specifications:

Wattage	Lumens	Input Voltage	Diode Life	Mounting	Minimum Size	Maximum Size	Environment	Warranty
5W/ft. (16.4W/m) Per LED populated edge of panel	100 per watt	12VDC	50,000 Hours	Surface	4" x 4" (102 mm x 102 mm)	48" x 96" (1219 mm x 2438 mm)	Dry and damp locations only	3 Year

Color Temperature



(Custom color with minimum order)



Unique patented edge-lighting and LED process provides high output with even illumination



Made in the USA at Tresco's manufacturing facility in Louisville, KY



Requires zero separation between the light panel and the backlit surface

Specifications by Size

Size	LED Strip	Wattage	Wire Exits
6" x 6" (152 mm x 152 mm)	1 Edge	2.5W	1
12" x 12" (305 mm x 305 mm)	1 Edge	5W	1
24" x 24" (610 mm x 610 mm)	2 or 4 Edges	20W/40W	1
36" x 36" (915 mm x 915 mm)	2 or 4 Edges	30W/60W	2
48" x 48" (1219 mm x 1219 mm)	2 or 4 Edges	40W/80W	2
48" x 96" (1219 mm x 2438 mm)	2 Edges	60W	2

How to Select Number of LED Edges

One Edge



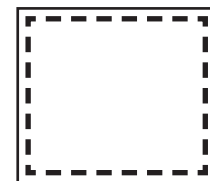
Panel width up to 15" (381 mm)

Two Edges



Panel width over 15" (381 mm)

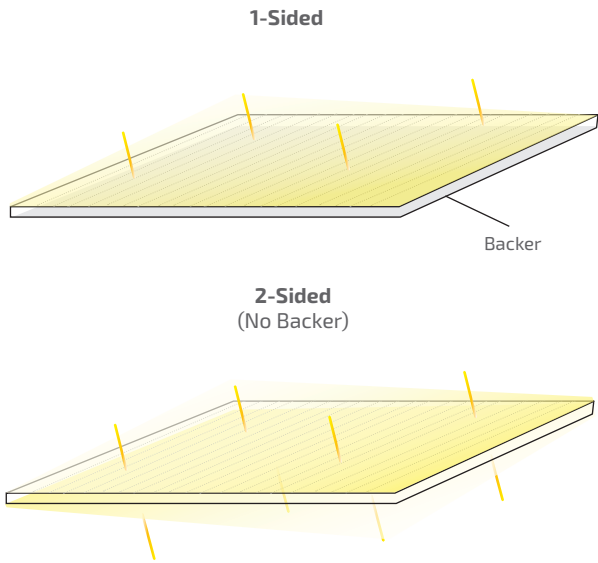
All Edges



Typically used for perfect squares and larger sizes.

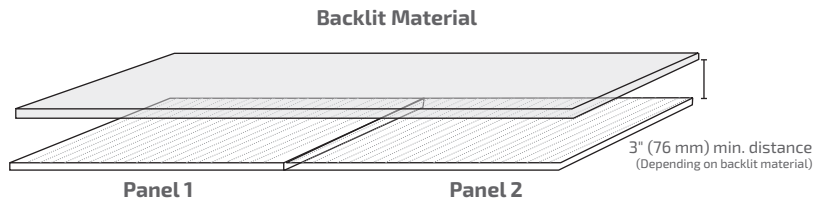
Etch

1 or 2 Sided Illumination



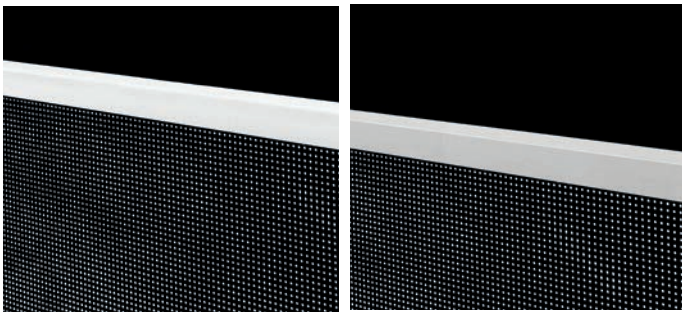
Minimize Seams When Tiling

Minimum distance to minimize seams between material and Etch panels.



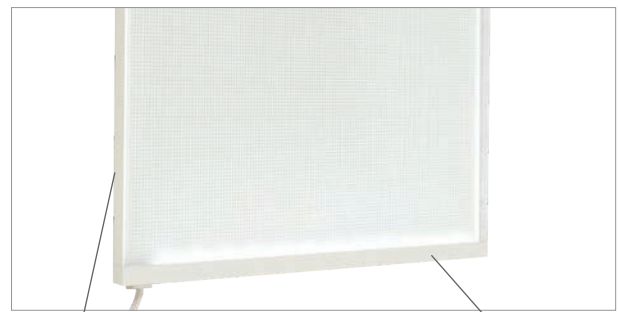
Cosmetic Tape Color

The cosmetic tape hides the LEDs and reflects light back into the panel. Cosmetic tape overlaps the face of the panel only along the LED edge. On all edges without LEDs, the cosmetic tape only runs along the edge of the panel.



White

Silver



Flush with side

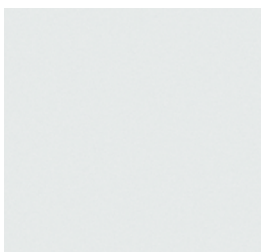
Covers LEDs on LED edge

Decorative Diffusers

Decorative diffusers are an optional addition for one illuminated side of panel. They are useful for both diffusing the light emitted from the panel and for their unique aesthetic designs. Common applications are for decorative shelving and facades.

Rigid White/Milk up to 48" x 96"
(1219 mm x 2438 mm)

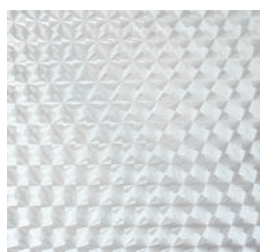
Decorative film up to 24" x 72" (610 mm x 1829 mm)



RIGID WHITE/MILK



2.5 MM HEXAGON PATTERN



10 MM HEXAGON PATTERN



TRI-PYRAMID PATTERN

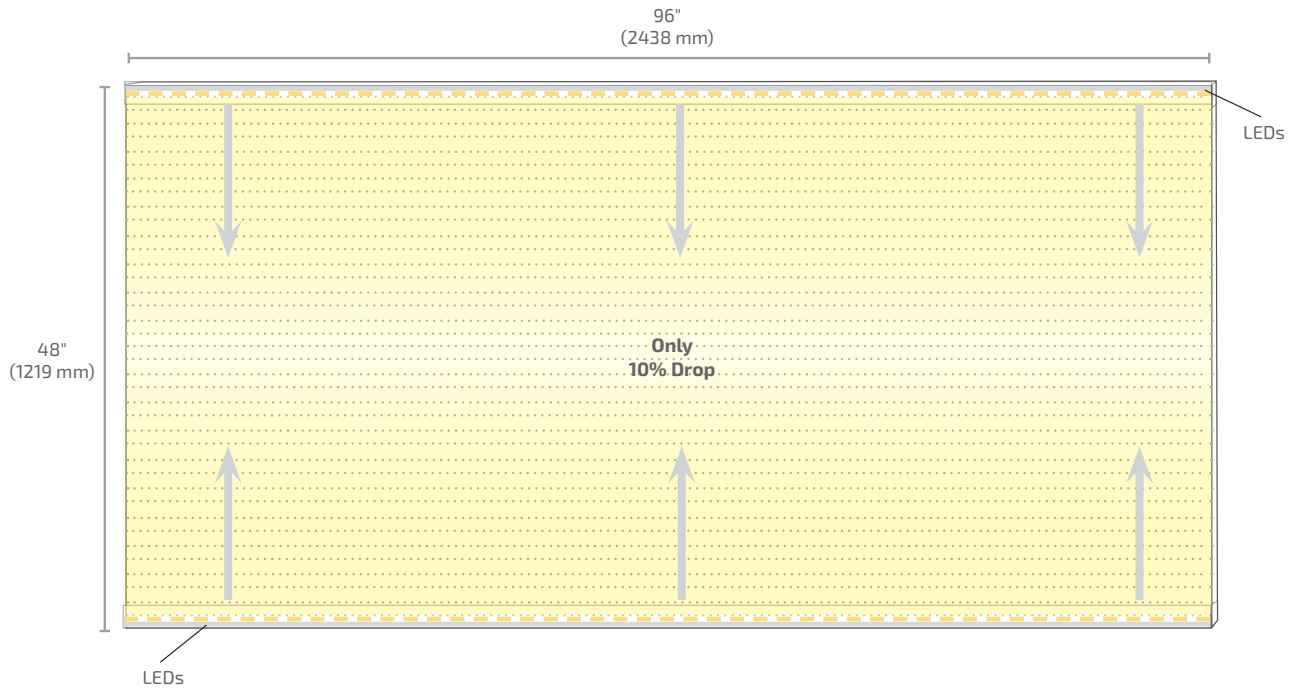


TRIPLE WAVE PATTERN

*Rigid diffuser available up to 48" x 96" (1219 mm x 2438 mm). Available in White/Milk only.

Typical Surface Brightness Measure

Only 10% drop in surface illuminance from edge of panel to center (based on largest panel size).



BUILD YOUR OWN

Choose our Build Your Own Program, featuring pre-etched acrylic panels in (4) sizes and pre-soldered LED tapes in (5) color temperatures in (4) lengths up to 96" (2438 mm), for the perfect Do-It-Yourself LED panel. Simply purchase your preferred Etch size and tape color temperature and install in your own frame.

Etched Panels Only - to be cut down to size

Part #	Description
L-ACR6M-4X8-1	48" X 96"* (1219 mm x 2438 mm) 6 mm Etched Acrylic
L-ACR8M-4X8-1	48" X 96"* (1219 mm x 2438 mm) 8 mm Etched Acrylic
L-ACR6M-4X4-1	48" X 48"* (1219 mm x 1219 mm) 6 mm Etched Acrylic
L-ACR8M-4X4-1	48" X 48"* (1219 mm x 1219 mm) 8 mm Etched Acrylic
L-ACR6M-2X2-1	24" X 24" (610 mm x 610 mm) 6 mm Etched Acrylic
L-ACR8M-2X2-1	24" X 24" (610 mm x 610 mm) 8 mm Etched Acrylic
L-ACR6M-1X1-1	12" X 12" (305 mm x 305 mm) 6 mm Etched Acrylic
L-ACR8M-1X1-1	12" X 12" (305 mm x 305 mm) 8 mm Etched Acrylic

*Standard dot pattern optimized for up to 24" (610 mm) width with LEDs on 2 edges
Thicknesses are subject to the industry standard of +/-10 % for acrylic

Note: Pre-etched panels are optimized for up to 24" (610 mm) with LED on (2) edges. Use (1) edge LED strip for 15" (381 mm) width and under. For widths greater than 24" (610 mm) call for custom options.

Tape LED for Pre-Etched Panels

Part #	Description	SLP
L-TPE6-12IN-**K-1	12" (305 mm) 5.5W/ft, 6 mm Pre-Soldered Tape LED w/ 79" (2 m) White input Lead	\$18.70
L-TPE6-24IN-**K-1	24" (610 mm) 5.5W/ft, 6 mm Pre-Soldered Tape LED w/ 79" (2 m) White input Lead	\$28.65
L-TPE6-48IN-**K-1	48" (1219 mm) 5.5W/ft, 6 mm Pre-Soldered Tape LED w/ 79" (2 m) White input Lead	\$48.65
L-TPE6-96IN-**K-1	96" (2438 mm) 5.5W/ft, 6 mm Pre-Soldered Tape LED w/ 79" (2 m) White input Lead	\$88.50

** = color temperature (30 for 3000K, 35 for 3500K, 40 for 4000K, 55 for 5500K, 65 for 6500K)
*Custom wire lead available upon request

Snap

24VDC

Standard:
8W/ft²
High:
15W/ft²

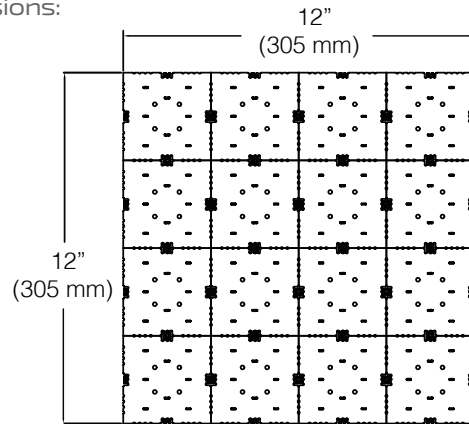
Standard:
900 Lumens
High:
1670 Lumens



Customized lighting solutions are just a "snap" away with the Snap Panels. Sold in 12" x 12" (305 mm x 305 mm) squares, the razor-thin panels can be snapped down to 3" x 3" (76 mm x 76 mm) squares and connected back into any configuration, creating the perfect solution with complete light uniformity.



Dimensions:



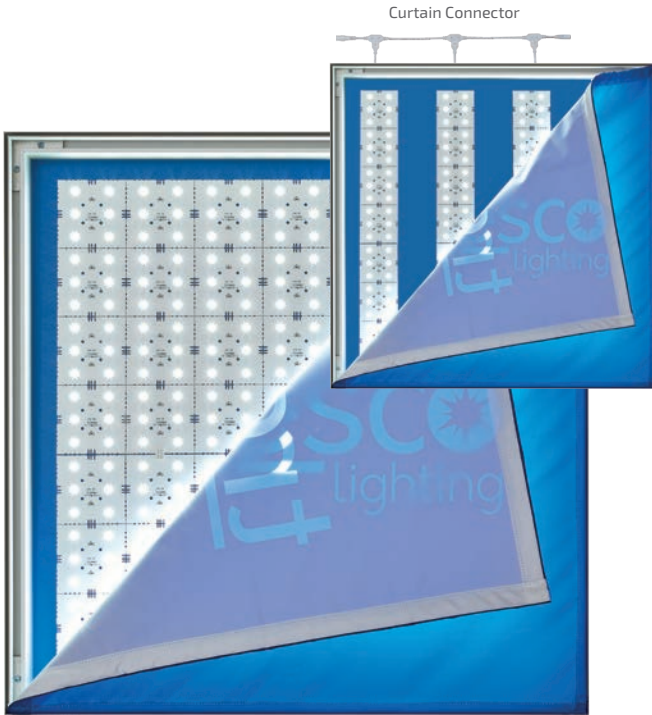
Specifications:

	Wattage	Lumens	Efficacy (lm/W)	Input Voltage	Diode Life	Max Per 96W Power Supply	Mounting	Warranty	Beam Angle
High Standard	8W/ft ² (.5W per 3" square)	900	112	24VDC	50,000 Hours	12ft ²	Surface	5 Year	
	15w/ft ² (.94W per 3" square)	1670	111			6.4ft ²			

Photometric Data				Color Temperature			
	Height	Standard	High				
	2 in (5 cm)	10,202Fc (109,813lx)	18,995Fc (204,460lx)				
	4 in (10 cm)	2,708Fc (29,148lx)	5,401Fc (54,260lx)				
	6 in (15 cm)	1179Fc (12,690lx)	2,196Fc (23,637lx)				
	1 ft (.3 m)	295Fc (3,175lx)	549Fc (5,909lx)				
	3 ft (.9 m)	33Fc (353lx)	61Fc (656lx)				
	6 ft (1.8 m)	8Fc (88lx)	15Fc (163lx)				

Warm White	Warm to Neutral	Cool White	Daylight
2700K	3000K	4500K	5500K
	▲ Warm (3000K)	▲ Neutral (4000K)	▲ Cool (5000K)
			▲ Daylight (6500K)

L-SP8WA-50K-1 (Standard), L-SP15WA-50K-1 (High) Tested



Just 2" (51 mm) of separation on average required between Snap and backlit surfaces. (8W or 15W)

OR Just 4" (102 mm) of separation required between Snap and backlit surfaces when strips are spaced 3" (76 mm) apart. (15W only)

Curtain connectors can be used to create rows (L-SP3TCS-1 and L-SP6TCS-1).

Mounting

Adhesive mount clips and screws are included with each panel for mounting purposes.



Linking

Panel squares are tileable using our simple DIY connectors (no soldering necessary)

L-SP90BTB4-1



90-Degree Back-to-Back Link

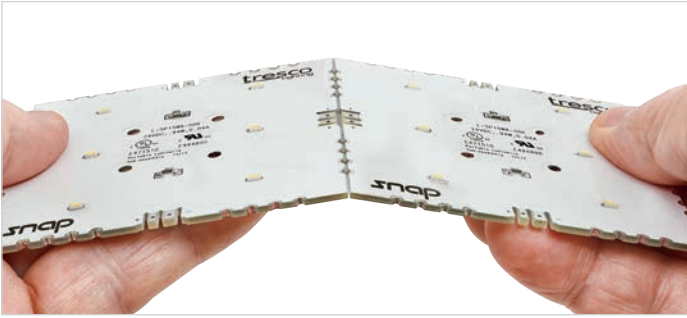


Back to Back Link
L-SPBTB10-1



Link Cord
L-SPLNK8-1
L-SPLNK25-1
L-SPLNK60-1
L-SPLNK120-1

Snap

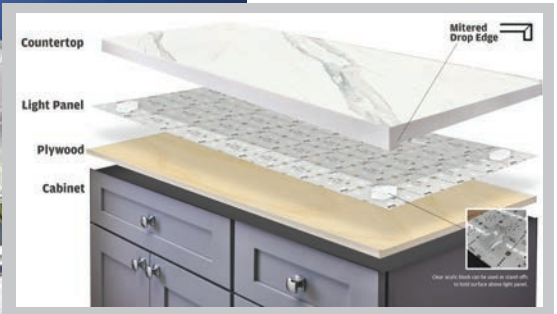


Sold as 12" x 12" (305 mm x 305 mm) panels with (16) 3" x 3" (76 mm x 76 mm) snappable squares on each panel

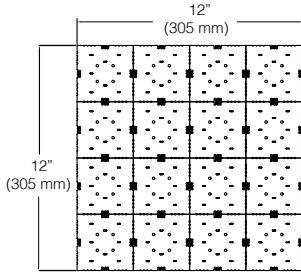


Great for backlighting translucent countertops

Applications



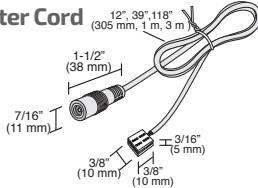
24VDC Light Panel



Part #	Description	SPL
L-SP8WA-30K-1	24VDC 8W 12" (305 mm) Square Snap Panel 3000K	\$128.50
L-SP8WA-40K-1	24VDC 8W 12" (305 mm) Square Snap Panel 4000K	\$128.50
L-SP8WA-50K-1	24VDC 8W 12" (305 mm) Square Snap Panel 5000K	\$128.50
L-SP8WA-65K-1	24VDC 8W 12" (305 mm) Square Snap Panel 6500K	\$128.50
L-SP15WA-30K-1	24VDC 15W 12" (305 mm) Square Snap Panel 3000K	\$128.50
L-SP15WA-40K-1	24VDC 15W 12" (305 mm) Square Snap Panel 4000K	\$128.50
L-SP15WA-50K-1	24VDC 15W 12" (305 mm) Square Snap Panel 5000K	\$128.50
L-SP15WA-65K-1	24VDC 15W 12" (305 mm) Square Snap Panel 6500K	\$128.50

Mounting clips and screws included. Starter cords sold separately.

24VDC Starter Cord



Part #	Description	SLP
L-SPPKT-305MM-1	305 mm (12") Snap Panel Starter Lead	\$5.55
L-SPPKT-1M-1	1 m (39") Snap Panel Starter Lead	\$8.05
L-SPPKT-3M-1	3 m (118") Snap Panel Starter Lead	\$16.35

24VDC Power Supplies

For details see
Power Supplies on
Page 478.

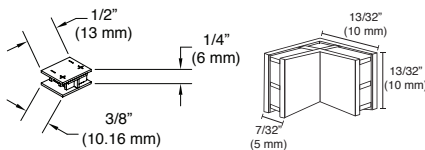
Part #	Description	SLP
L-24DCELT96-1	96W 24VDC Power Supply w/ 5 Barrel Out - White†	\$168.90
L-24DCELT48-BL-1	48W 24VDC Power Supply w/ 5 Barrel Out - Black†	\$134.20
L-24DCELT15WP-1	15W 24VDC Wall Mount Power Supply w/ Snap Connector*†	\$53.35
L-24DCH96X1-1	96W 24VDC Dimmable Hardwire Power Supply*§	\$270.65
L-24DCH96X3-1	288W 24VDC Dimmable Hardwire Power Supply*§	\$509.45
L-1BRL5-1	Extra 5 Output Barrel Splice	\$17.40

*Does not come with 5 Output Barrel Splice

†Dimmable on trailing edge (24VDC side)

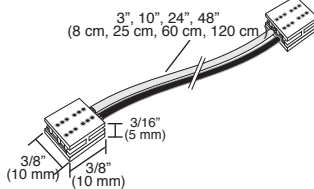
§Dimmable by LED line voltage (120V) wall dimmers

Snap Connectors



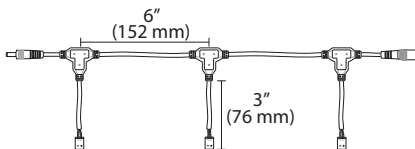
Part #	Description	SLP
L-SPBTB10-1	Snap Panel Back-to-Back Links (10 pcs)	\$8.90
L-SP90BTB4-1	Snap Panel 90° Back-to-Back Link (4 pcs)	\$15.40

Snap Link Cord



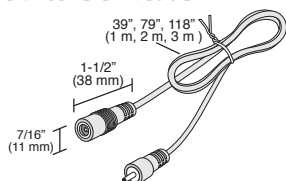
Part #	Description	SLP
L-SPLNK8-1	3" (8 cm) Snap Panel Link Cord	\$2.70
L-SPLNK25-1	10" (25 cm) Snap Panel Link Cord	\$5.80
L-SPLNK60-1	24" (60 cm) Snap Panel Link Cord	\$9.60
L-SPLNK120-1	48" (120 cm) Snap Panel Link Cord	\$15.85

24VDC Curtain Connectors



Part #	Description	SLP
L-SP3TCS-1	Three Way Curtain Starter Lead	\$27.80
L-SP6TCS-1	Six Way Curtain Starter Lead	\$50.75

24VDC Extension Leads

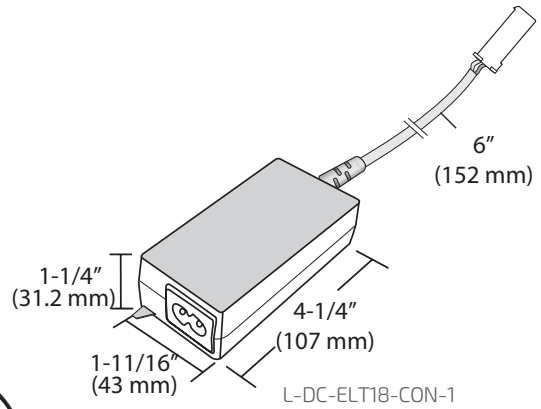


Part #	Description	SLP
L-24BBEXT-1M-1	1 M (39") 24VDC ML/FML Barrel Extension, White	\$7.70
L-24BBEXT-2M-1	2 M (79") 24VDC ML/FML Barrel Extension, White	\$11.35
L-24BBEXT-3M-1	3 M (119") 24VDC ML/FML Barrel Extension, White	\$15.50

Power Supplies

12VDC Commercial Plug-in Power Supplies

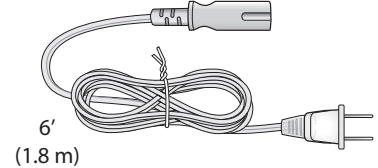
18W 12VDC
100V - 240V



L-DC-ELT18-CON-1

Cord

Hole Size, if Needed:
5/8\"/>



Mounting Block



Features:

12VDC constant voltage output

Short circuit protection*

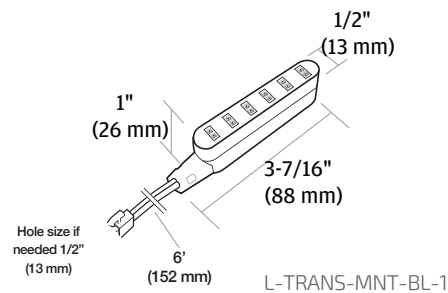
Overcurrent protection

Overload protection*

RFI protection

Dimmable on trailing edge (12VDC side)

* Automatic reset (no fuses)

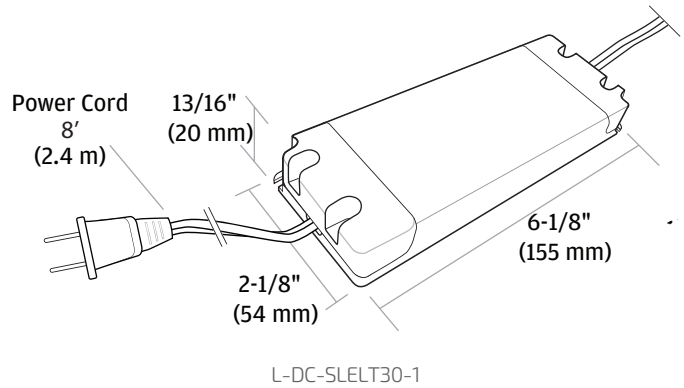


L-TRANS-MNT-BL-1

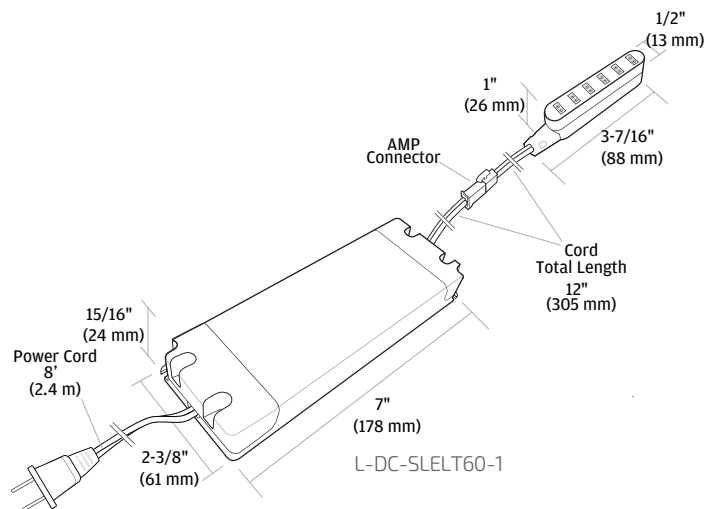
- ✓ Compatible with all Tresco® low voltage dimmers
- ✗ NOT compatible with hardwire wall dimmers

Part #	Description	SLP
L-DC-ELT18-CON-1	18W 12VDC Power Supply w/6 Snap Mounting Block	\$66.40
L-TRANS-MNT-BL-1	Extra 6 Snap Mounting Block	\$10.75

NEW! **30W 12VDC**
100V - 277V



NEW! **60W 12VDC**
100V - 277V



Features:

Slim design, under 1" height

(2) configurations: 30W or 60W

12VDC constant voltage output

High power factor (Pf > .95)

Short circuit protection*

Overcurrent protection

Overload protection*

RFI protection

Dimmable on trailing edge (12VDC side)

Class 2

✓ Compatible with all Tresco low voltage dimmers

⊘ NOT compatible with hardwire wall dimmers

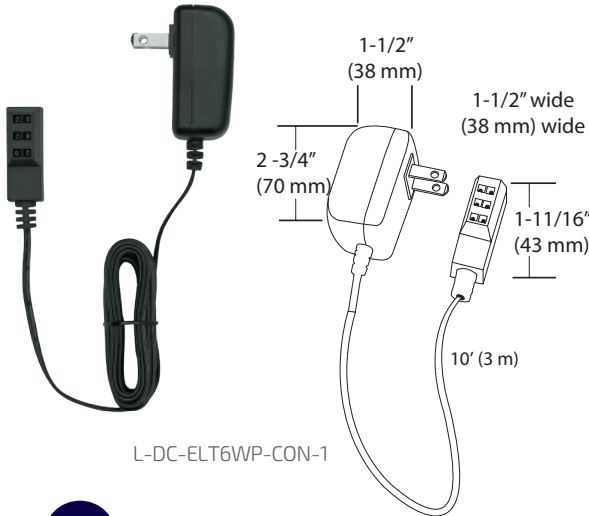
Part #	Description	SLP
L-DC-SLELT30-1	30W 12VDC Power Supply w/6 Snap Mounting Block	\$88.40
L-DC-SLELT60-1	60W 12VDC Power Supply w/6 Snap Mounting Block	\$114.45
L-TRANS-MNT-BL-1	Extra 6-Snap Mounting Block	\$10.75

* Automatic reset (no fuses)

Economy Series

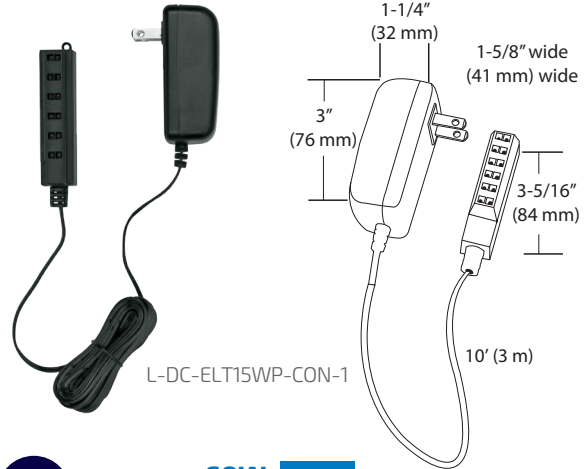
12VDC EquiLine Plug-in Power Supplies

6W 12VDC
100V - 240V



L-DC-ELT6WP-CON-1

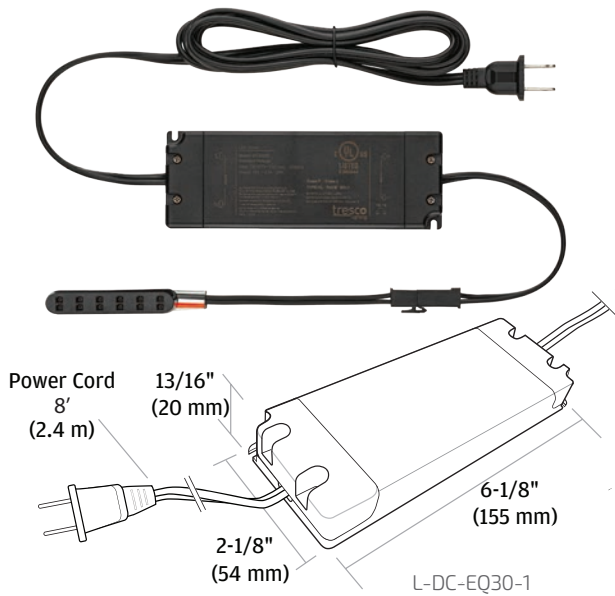
15W 12VDC
100V - 240V



L-DC-ELT15WP-CON-1

NEW!

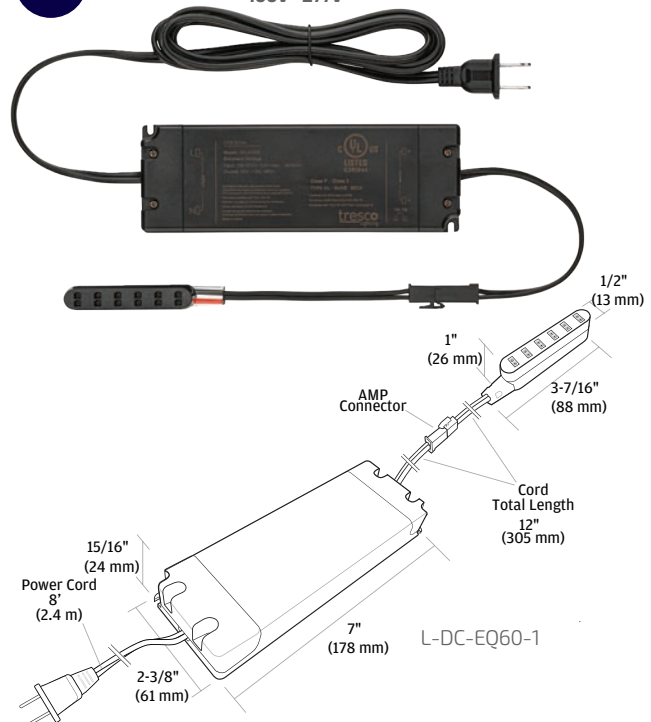
30W 12VDC
100V - 277V



L-DC-EQ30-1

NEW!

60W 12VDC
100V - 277V



L-DC-EQ60-1

Class 2

✓ Compatible with all Tresco® low voltage dimmers
⊗ NOT compatible with hardwire wall dimmers

Part #	Description	SLP
L-DC-ELT6WP-CON-1	6W 12VDC Wall Mount Power Supply w/3 Snap Block	\$29.35
L-DC-ELT15WP-CON-1	15W 12VDC Wall Mount Power Supply w/6 Snap Block	\$37.85
L-DC-EQ30-1	30W 12VDC EquiLine Power Supply w/6 Snap Block	\$61.65
L-DC-EQ60-1	60W 12VDC EquiLine Power Supply w/6 Snap Block	\$78.95
L-TRANS-MNT-BL-1	Extra 6-Snap Mounting Block	\$10.75

Features:

- (4) Configurations: 6-60 Watt
- 12VDC constant voltage output
- Short circuit protection*
- Overload protection*
- RFI Protection
- Dimmable on trailing edge (12VDC side)
- Class 2
- 2-Year warranty

12VDC Commercial Wall Dimmable Hardwire Power Supplies

30W 12VDC
100V - 277V

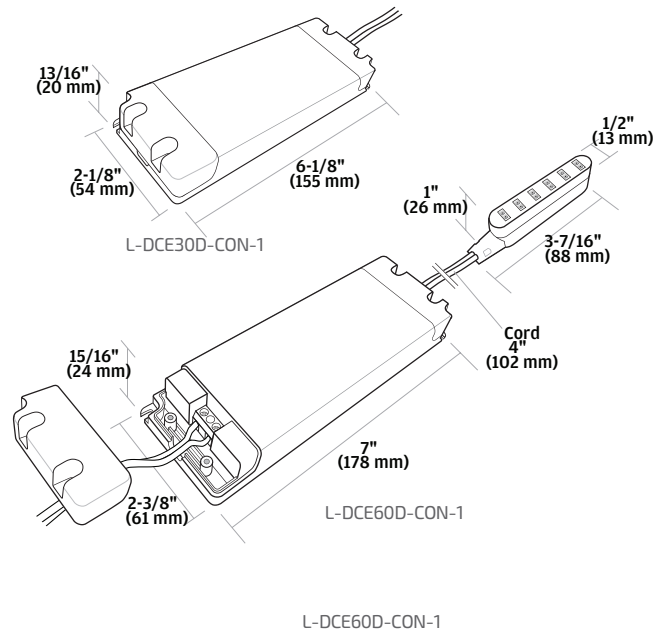


60W 12VDC
100V - 277V



Features:

- Under 1" height
- (2) configurations: 30W or 60W
- 12VDC constant voltage output
- High power factor (Pf > .95)
- Dimmable by standard LED wall dimmers
- Continuous smooth dimming
- Wire directly into unit
- Electronic units are lower profile and generate less heat than magnetic transformers
- Quiet operation
- Works with all Tresco® 12VDC dimmable LED fixtures
- One 6-snap mounting block included
- RFI Protection
- Class 2 with short circuit and automatic reset



- ✓ Compatible with all Tresco® low voltage dimmers
- ✓ Compatible with hardwired LED wall dimmers



Part #	Description	SLP
L-DCE30D-CON-1	30W 12VDC Hardwire Dimmable LED Power Supply	\$114.30
L-DCE60D-CON-1	60W 12VDC Hardwire Dimmable LED Power Supply	\$181.55
L-TRANS-MNT-BL-1	Extra 6-Snap Mounting Block	\$10.75

Compatible Tresco Wall Dimmers (page 485).



Dimmable by LED compatible line voltage (120V) wall dimmers. Mounting block included. Requires electrician to install.

NEW!

12VDC Industrial Wall Dimmable Hardwire Power Supplies

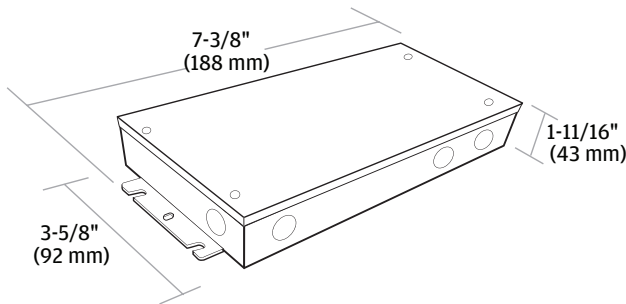
(1x 60W output)

60W 12VDC
100V - 277V

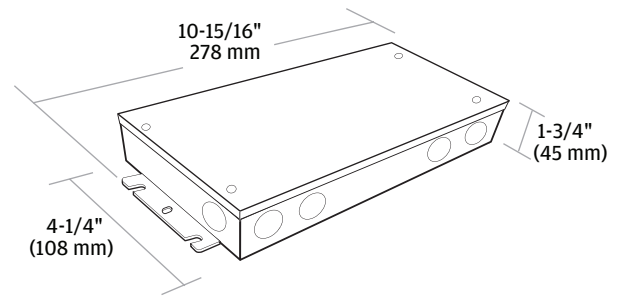


(3x 60W output)

180W 12VDC
100V - 277V



L-12DCH60X1-1



L-12DCH60X3-1



Features:

- Slim design, under 2" height
- (2) configurations: 60W or 180W
- 12VDC constant voltage output
- High power factor (Pf > .95)
- Built-in hardwire compartment
- All metal construction
- Short circuit protection*
- Overcurrent protection
- Overload protection*
- RFI protection
- Dimmable by standard LED wall dimmers
- Class 2

- ✓ Compatible with all Tresco® low voltage dimmers
- ✓ Compatible with hardwired LED wall dimmers

* Automatic reset (no fuses)

Part #	Description	SLP
L-12DCH60X1-1*	60W 12VDC Commercial/Industrial Metal Hardwire Dimmable Power Supply	\$181.80
L-12DCH60X3-1*	180W 12VDC Commercial/Industrial Metal Hardwire Dimmable Power Supply	\$399.75
L-TRANS-MINT-BL-1	Extra 6-Snap Mounting Block	\$10.75

* Does not include 6-snap mounting block
Dimmable by LED line voltage (120V) wall dimmers. Mounting block not included
Requires electrician to install.

Compatible Tresco Wall Dimmers (page 485).

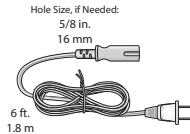


24VDC Commercial Plug-in Power Supplies

NEW!

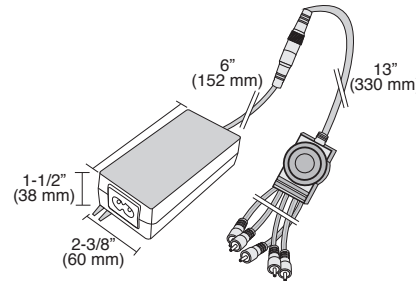


48W 24VDC
100V - 240V

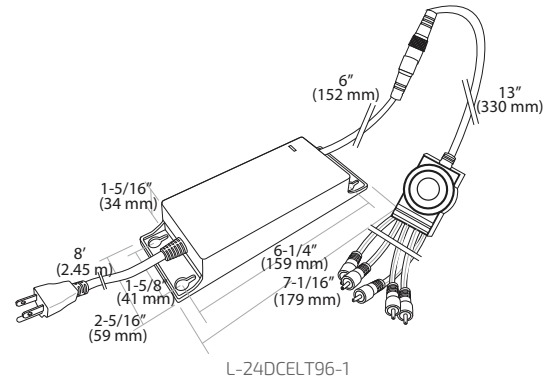


96W 24VDC
100V - 240V

- Class 2
- Features:
- Slim design, under 1.6" height
 - 24VDC constant voltage output
 - High power factor (Pf > .95) **96W only**
 - (5) barrel output (included)
 - Short circuit protection*
 - Overcurrent protection
 - Overload protection*
 - RFI protection
 - Dimmable on trailing edge (24VDC side)
 - Class 2
 - * Automatic reset (no fuses)



L-24DCELT48-BL-1



L-24DCELT96-1

- Compatible with all Tresco low voltage dimmers
- NOT compatible with hardwire wall dimmers

Part #	Description	SLP
L-24DCELT48-BL-1	48W 24VDC Power Supply w/ 5 Barrel Out - Black	\$134.20
L-24DCELT96-1	96W 24VDC Power Supply w/ 5 Barrel Out - White	\$168.90
L-1BRL5-1	Extra 5 Output Barrel Splice	\$17.40

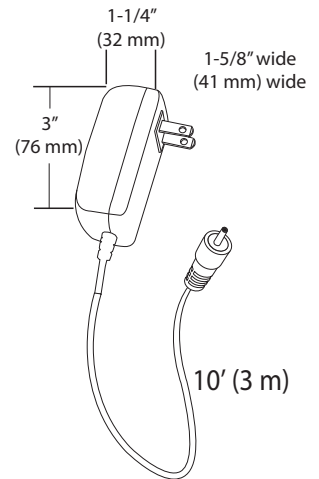
Economy Series

24VDC EquiLine Plug-in Power Supply

NEW!

15W 24VDC
100V - 240V

- Features:
- 24VDC constant voltage output
 - Fully enclosed wall mount plastic case
 - Single barrel connector output
 - Short circuit protection*
 - Overcurrent protection
 - Overload protection*
 - RFI protection
 - Dimmable on trailing edge (24VDC side)
 - Class 2
 - 2-Year warranty



*Automatic Reset (no fuses)

- Class 2

Part #	Description	SLP
L-24DCELT15WP-1	15W 24VDC Wall Mount Power Supply w/ barrel connector	\$53.35
L-1BRL5-1	Extra 5 Output Barrel Splice	\$17.40

- Compatible with all Tresco low voltage dimmers
- NOT compatible with hardwire wall dimmers

NEW!

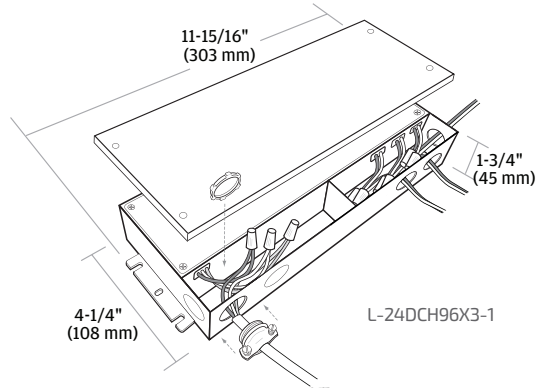
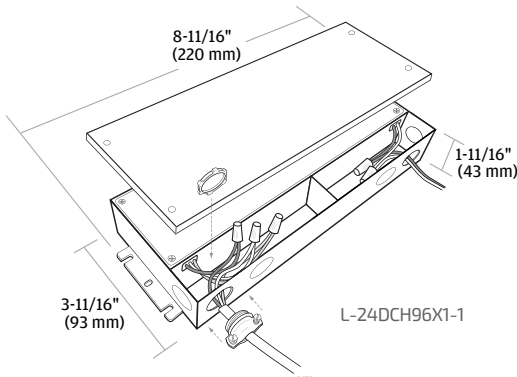
24VDC Industrial Wall Dimmable Hardwire Power Supplies

(1x 96W output)

96W 24VDC
100V - 277V

(3x 96W output)

288W 24VDC
100V - 277V



Features:

- Slim design, under 2" height
- 24VDC constant voltage output
- High power factor (PF>.95)
- Built-in hardwire compartment
- All metal construction
- Short circuit protection*
- Overcurrent protection
- Overload protection*
- RFI protection
- Dimmable by standard LED wall dimmers
- Class 2
- * Automatic reset (no fuses)



- ✓ Compatible with all Tresco® low voltage dimmers
- ✓ Compatible with hardwired LED wall dimmers

Part #	Description	SLP
L-24DCH96X1-1*	24VDC 96W Commercial/Industrial Metal Hardwire Dimmable Power Supply	\$270.65
L-24DCH96X3-1*	24VDC 288W Commercial/Industrial Metal Hardwire Dimmable Power Supply	\$509.45
L-1BRLS-1	Extra 5 Output Barrel Splice	\$17.40

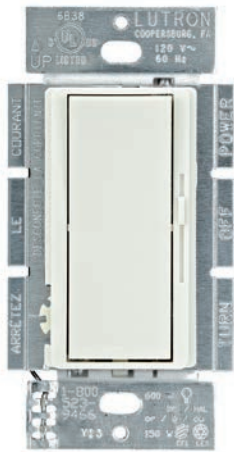
*Does not include 5 Output Barrel.
Dimmable by LED line voltage (120V) wall dimmers.
Mounting block not included
Requires electrician to install.



120V LED Wall Dimmers

120V

Lutron Diva® C-L™ Dimmer



150W

Lutron Skylark Contour C-L™ Dimmer



150W

Leviton Decora® 300W LED Dimmer



300W

Lutron Diva® C-L™ Dimmer 150W

- Large paddle switch with a captive linear-slide dimmer for a standard designer wall plate opening
- Switch returns light to preset light level
- Offers more reliable dimming performance over standard dimmers
- HED™ technology with advanced dimming circuitry designed for compatibility with most high-efficiency light bulbs
- Adjustment switch to modify the minimum light level in order to maximize the dimming range if flickering occurs at lower dimming levels

Lutron Skylark Contour C-L™ Dimmer 150W

- On/off rocker switch with a captive linear-slide dimmer for a standard designer wallplate opening
- Switch returns light to preset light level
- Offers more reliable dimming performance over standard dimmers
- HED™ technology with advanced dimming circuitry designed for compatibility with most high-efficiency light bulbs
- Low-end adjustment dial

Leviton Decora® 300W

- Large paddle switch with a captive linear-slide dimmer for a standard designer wall plate opening
- Packaged with White, Ivory, and Light Almond color change kits
- Switch returns light to preset light level
- No neutral wire required for installation
- Adjustment switch to modify the minimum light level in order to maximize the dimming range if flickering occurs at lower dimming levels

Part #	Description	SLP
L-DVCL-153P-WH-1	Lutron Diva® 150W C-L™ Dimmer w/out plate	\$92.05
L-CTCL-153P-WH-1	Lutron Skylark Contour C-L™ 150W Dimmer w/out plate	\$72.80
L-DSL06-1LZ-1	Leviton® Decora® 300W LED Dimmer w/WH-IV-LA Kit	\$74.65

Compatible with Tresco 12VDC and 24VDC Wall Dimmable Power Supplies (previous pages)

Controllers

Single color control

FREEDiM

WIRELESS CONTROL



FREEDiM Series Universal Receiver

12VDC
24VDC

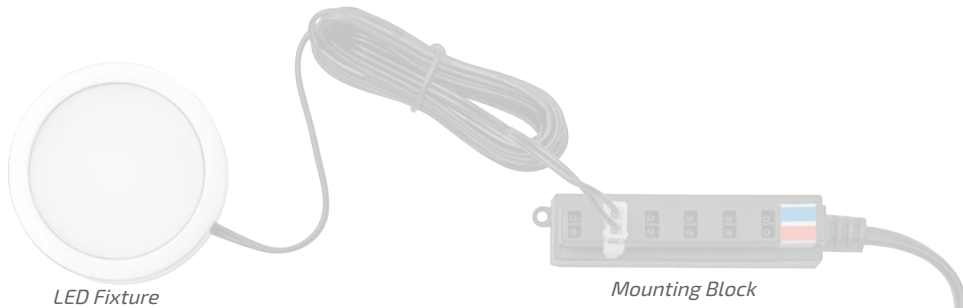
Features:

60W Capacity (12VDC); 96W Capacity (24VDC)

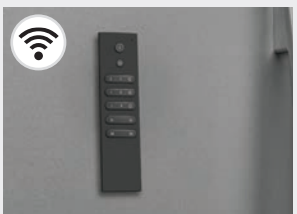
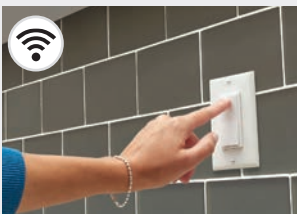
Power failure memory

Multiple receivers can be used in a single power supply or within a room to achieve multiple zones of control

Simple one button pairing with dimmers

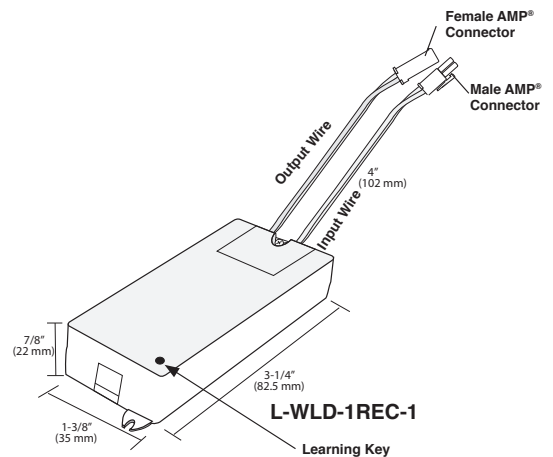
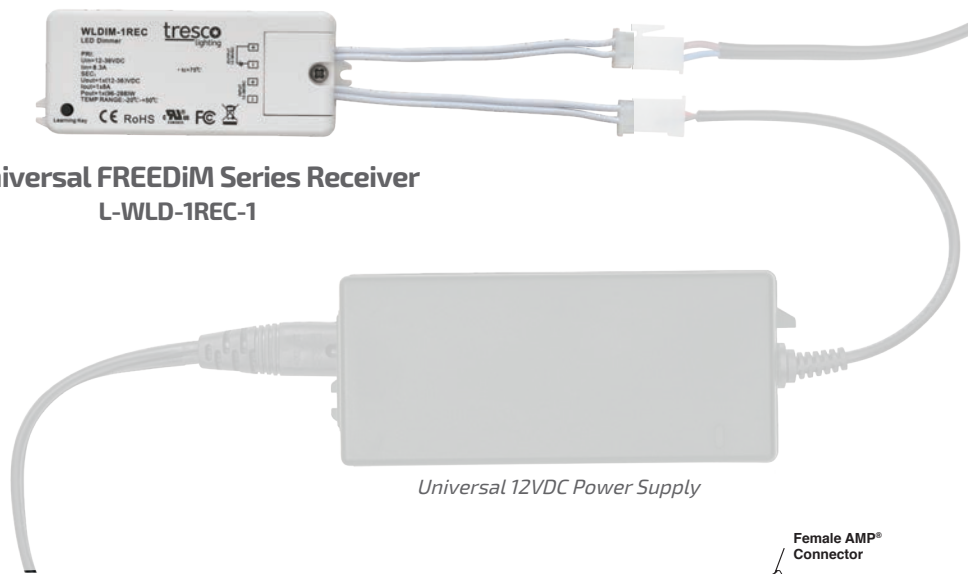


Compatible with all single color FREEDiM Series controllers



Universal FREEDiM Series Receiver

L-WLD-1REC-1



Part #	Description	SLP
L-WLD-1REC-1	12/24VDC FREEDiM Series Receiver	\$85.90

A single receiver can be programmed to up to 8 different FREEDiM Series remotes/dimmers

All product dimensions and specifications are subject to change without prior notice.

Single Color Controllers

PATENT NO. 9,818,559 B2

FREEDiM Series Deco Wall Dimmer

Features:

Available in single and 2-zone

Can be programmed to multiple receivers for more lighting control

Black, white, or light almond finish

Fits Decora® style wall plates

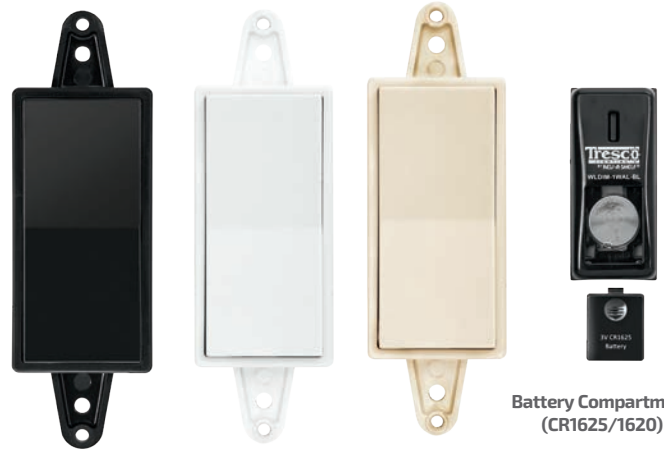
65 ft. range of control from dimmer to receiver

Controls all Tresco® 12/24VDC dimmable low voltage lights

Unlike traditional hardwire dimmers, you can control the same set of lights from multiple Deco Wall Dimmers

FREEDiM

WIRELESS CONTROL

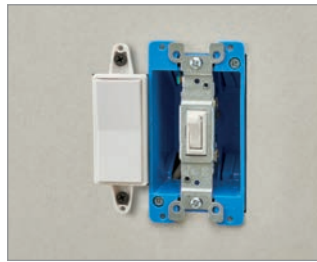


Battery Compartment (CR1625/1620)



Easily remove switch from docking tray to replace batteries or use as a remote dimmer

Also available in 2-Zone:



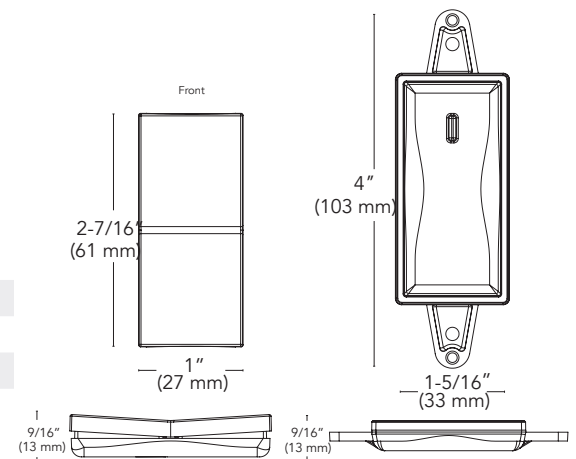
Can be mounted to standard wall electrical boxes or to drywall

Part #	Description	SLP
L-WLD-1WAL-**-1	FREEDiM Series Deco Wall Dimmer	\$126.85
L-WLD-2WAL-**-1	FREEDiM Series Two-Zone Deco Wall Dimmer	\$137.85
L-WLD-1REC-1	12/24VDC FREEDiM Series Receiver	\$85.90

**Insert BL for Black (only available in single zone), WH for White, LA for Light Almond

A single dimmer can be programmed to up to 10 different receivers.
Must have at least one receiver (L-WLD-1REC-1) to operate

A single receiver can be programmed to up to 8 different FREEDiM Series remotes/dimmers



FREEDiM Series Wireless Controllers



FREEDiM Series Micro Dimmer

Features:

Single zone wireless dimmer

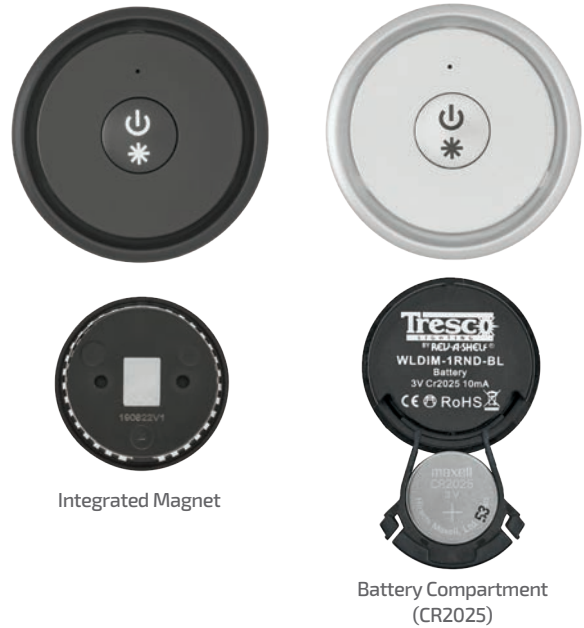
Black or Nickel finish

Easy to replace, long life lithium battery

65 ft. (20 m) range of control from dimmer to receiver

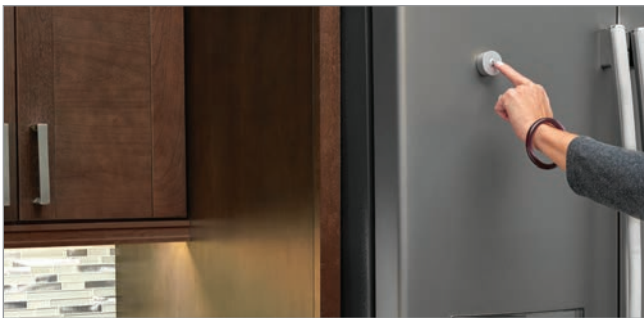
Controls all Tresco® 12VDC/24VDC dimmable low voltage lights

Recess or surface mount



Integrated Magnet

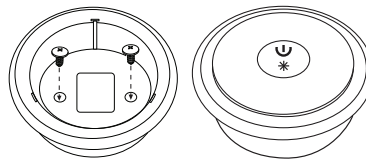
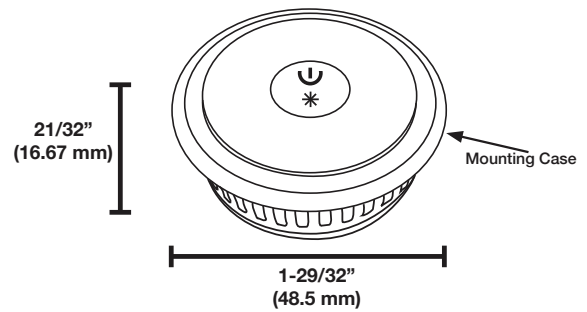
Battery Compartment (CR2025)



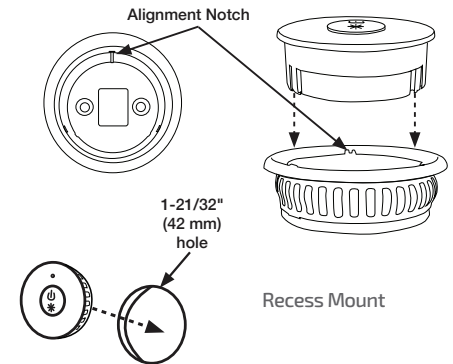
Integrated magnet allows for mounting to refrigerator or other metallic surfaces



Easy 2 screw installation



Surface Mount



Recess Mount

Part #	Description	SLP
L-WLD-1RND-BL-1	FREEDiM Series Micro Dimmer, Black	\$38.70
L-WLD-1RND-NI-1	FREEDiM Series Micro Dimmer, Nickel	\$38.70
L-WLD-1REC-1	12/24VDC FREEDiM Series Receiver	\$85.90

A single dimmer can be programmed to up to 10 different receivers.
Must have at least one receiver (L-WLD-1REC-1) to operate

A single receiver can be programmed to up to 8 different FREEDiM Series remotes/dimmers
 Must purchase 12VDC to 24VDC Controller Adaptor Cord Set for 24VDC LED fixtures.

FREEDiM Series 3 Zone Remote

Features:

Independent control of 3 lighting zones from single remote

Program additional receivers to separate the lighting in a room into multiple zones that you can control independently

Set brightness levels of all of the zones to a desired level then save as a "scene"

65 ft. (20 m) range of control from remote to receiver

Controls all Tresco® 12/24VDC dimmable low voltage lights



Integrated magnet allows for mounting to refrigerator or other metallic surfaces.



Docking tray can be screw mounted. Remotes attach to tray magnetically.

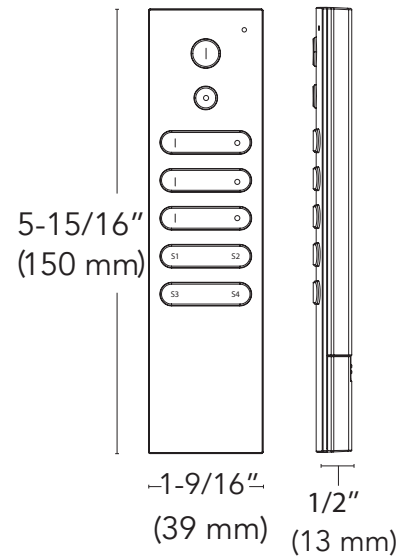
FREEDiM
WIRELESS CONTROL



3-Zone
(CR2032 Battery)



Battery Compartment
(CR2032 Battery)



Part #	Description	SLP
L-WLD-3RMT-BL-1	FREEDiM Series 3-Zone remote, Black	\$65.35
L-WLD-1REC-1	12/24VDC FREEDiM Series Receiver	\$85.90

Must have at least one receiver (L-WLD-1REC-1) to operate

A single receiver can be programmed to up to 8 different FREEDiM Series remotes/dimmers

NEW!

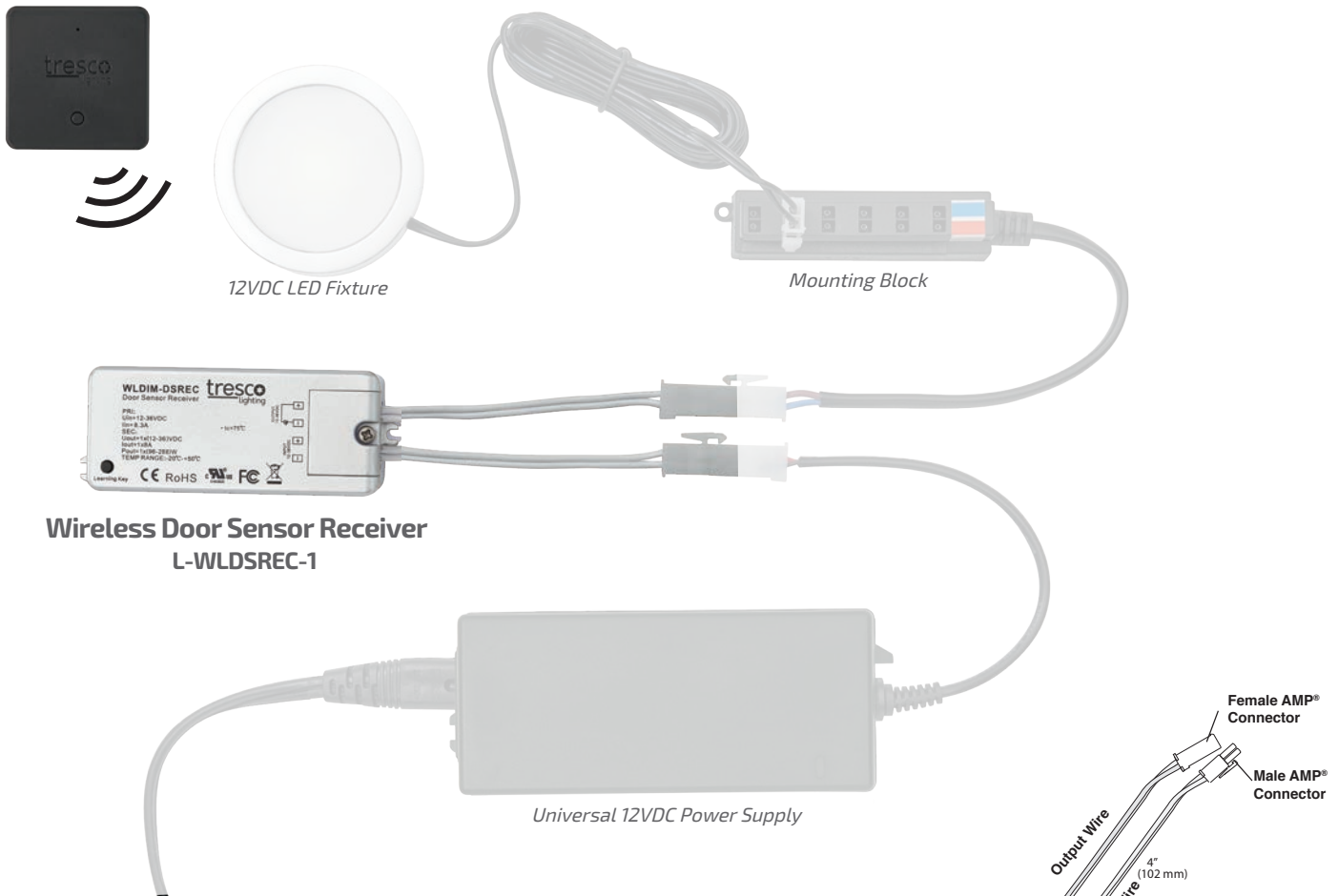
Wireless Door Sensor Receiver

12VDC
24VDC

FREEDiM
WIRELESS CONTROL

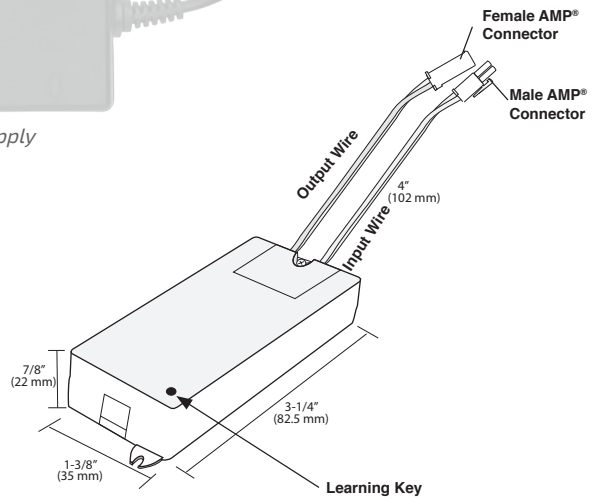
Features:

- 60W capacity (12VDC); 96W capacity (24VDC)
- Power failure memory
- Install inline between power supply and lights
- Simple one button pairing with Wireless Door Sensors
- Single receiver can be programmed with up to (4) sensors
(Allows for up to 4 doors to control the same light fixtures.)



Wireless Door Sensor Receiver
L-WLDSREC-1

Universal 12VDC Power Supply



Part #	Description	SLP
L-WLDSREC-1	12/24VDC Wireless Door Sensor Receiver	\$85.90

Single receiver can be programmed with up to 4 door sensors.

NEW!

Wireless Door Sensor

Features:

- Allows light to be controlled by multiple doors
- Black or Nickel
- Simple push-button pairing with receiver (sold separately)
- Program up to (4) sensors to a single L-WLDSREC-1 receiver
- No cumbersome, messy wires to have to hide inside your cabinetry
- Mounting hardware (included)



Activated by a magnet; simply adhere to the inside of cabinet door with included double-stick adhesive



Comes with (3) stick-on magnet covers in black, brown and white

Part #	Description	SLP
L-WLDS-BL-1	FREEDiM Black Wireless Door Sensor	\$61.05
L-WLDS-NI-1	FREEDiM Nickel Wireless Door Sensor	\$61.05

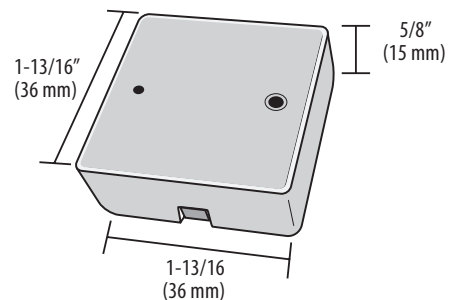
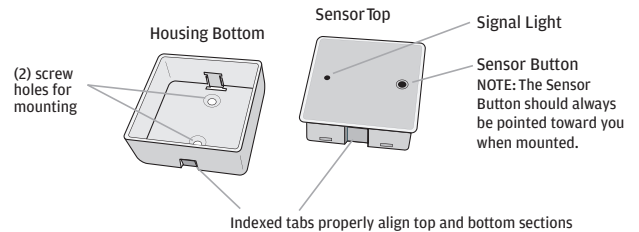
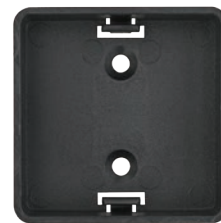
Must have at least one receiver (L-WLDSREC-1) to operate

FREEDiM

WIRELESS CONTROL



Long-lasting CR2025 battery



NEW!

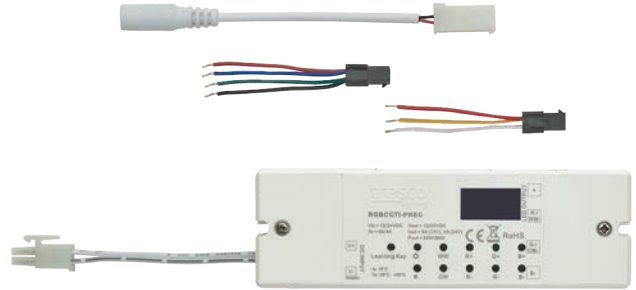
RGB-CCT Controller/Receivers

12VDC
24VDC

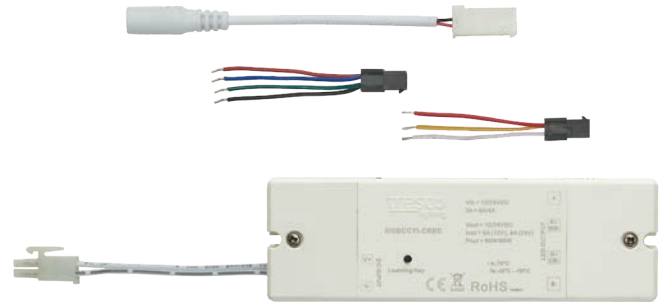


Features:

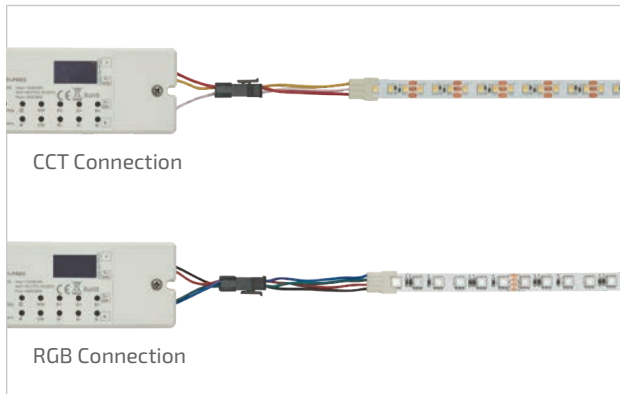
- 60W capacity (12VDC); 96W capacity (24VDC)
- Digital user interface
- Power failure memory
- Simple one-button programming of FREEDiM Series wireless controls
- Compatible Tresco® FREEDiM series RGB or CCT hand and wall controllers (sold separately)
- Works with any 12/24VDC Tresco® RGB or CCT low voltage lights
- Complete with pigtails for RGB or CCT connection
- Tuning of the RGB or Color temperature from 2700K-6500K



Parent Controller/Receiver
L-RGBCCT1-PREC-1



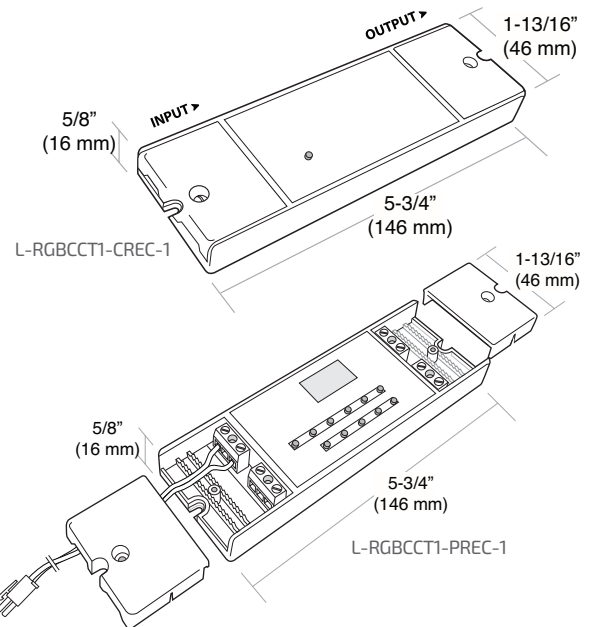
Child Controller/Receiver
L-RGBCCT1-CREC-1



Display in RGB mode. RGB values can be tuned in increments of 1

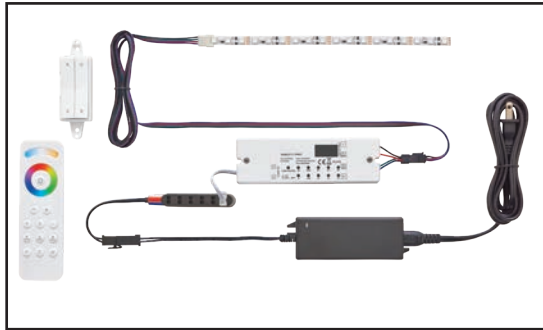


Display in CCT mode. CCT values can be tuned in increments of 15-16K (Color temperature is range)

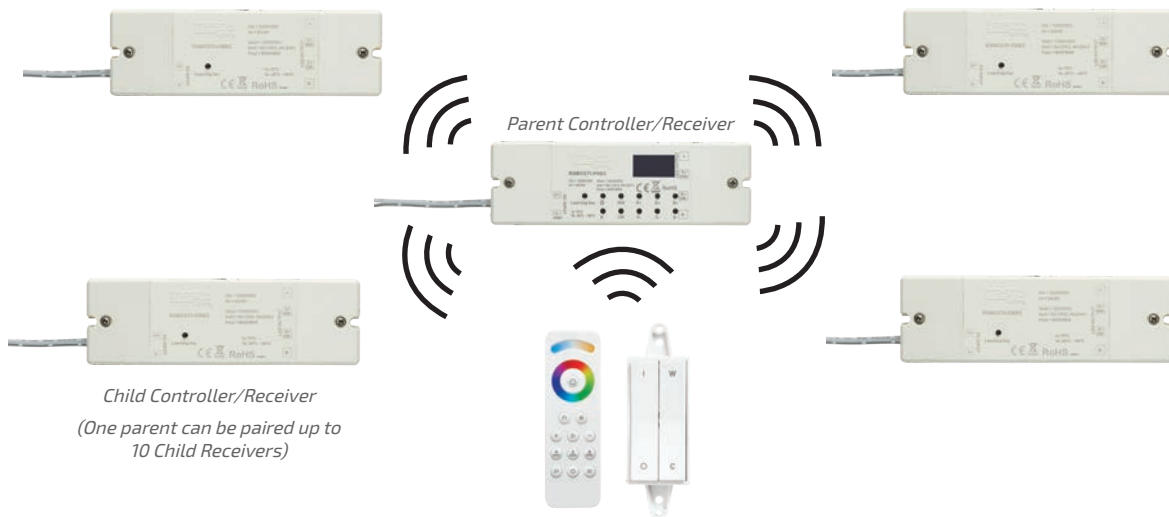
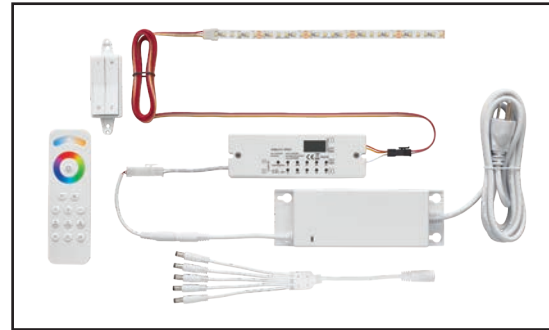


Part #	Description	SLP
L-RGBCCT1-PREC-1	12VDC/24VDC RGB-CCT Parent Controller/Receiver	\$134.45
L-RGBCCT1-CREC-1	12VDC/24VDC RGB-CCT Child Controller/Receiver	\$121.65

12VDC Setup



24VDC Setup



Child Controller/Receiver
(One parent can be paired up to 10 Child Receivers)

Wireless remote controls 1 parent per zone and 10 child receivers per parent

RGB-CCT Wall Controllers



PATENT NO. 9,818,559 B2

- (2) configurations: RGB or CCT (White tunable)
 - Can be programmed with up to (1) parent and (10) child receivers
 - Fits Decora® style wall plates
 - 65 ft. (19 m) range of control from dimmer to receiver
 - Controls all Tresco RGB or CCT low voltage lights
 - RGB/CCT receivers required (sold separately)
 - Long-lasting CR1625/1620 battery (included)
- RGB**
Easy touch Red, Green, Blue and on/off/dimming controls
- CCT - White tunable**
Easy touch warm 2700K to daylight 6500K and on/off/dimming controls



Part #	Description	SLP
L-WLD-CCT-WH-1	CCT FREEDiM Deco Wall Dimmer White	\$137.85
L-WLD-RGB-WH-1	RGB FREEDiM Deco Wall Dimmer White	\$137.85

NEW!

RGB-CCT Wireless Remote



Features:

Intuitive and ergonomic design

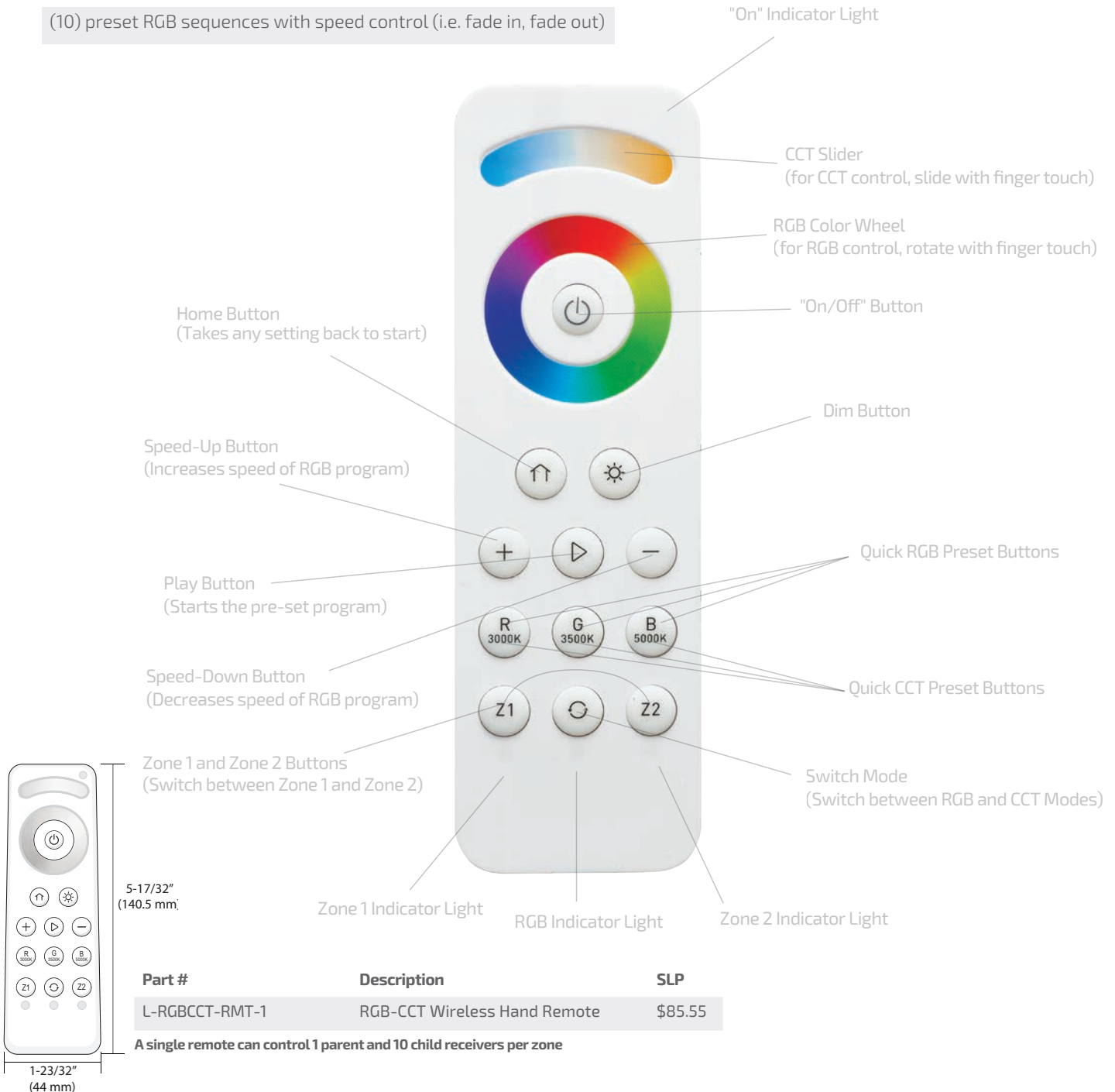
Can control RGB and CCT

Touch control for color mixing

Quick set buttons for common CCT and static RGB values

Program up to (2) separate zones and control independently

(10) preset RGB sequences with speed control (i.e. fade in, fade out)



Part #	Description	SLP
L-RGBCCT-RMT-1	RGB-CCT Wireless Hand Remote	\$85.55

A single remote can control 1 parent and 10 child receivers per zone

Wireless Remote Control Dimmers

12VDC
24VDC

Remote Control LED Dimmers feature radio-frequency, remote-control dimming to adjust lights from anywhere in the room up to 30' (9 m). The remote control provides on/off power and dims lights from 100%-1%.



Universal Remote Dimmer

Controls up to 12VDC/60W or 24VDC/96W of LED lighting

Features a built-in memory that recalls the last setting when turned on

Comes with two remote controls (one as a backup)

No line of sight required

Can control multiple dimmers in same room with single remote control for universal dimming

Dims lights from 100%-1%

Dedicated Remote Control Dimmer

Controls up to 12VDC/60W or 24VDC/96W of LED lighting

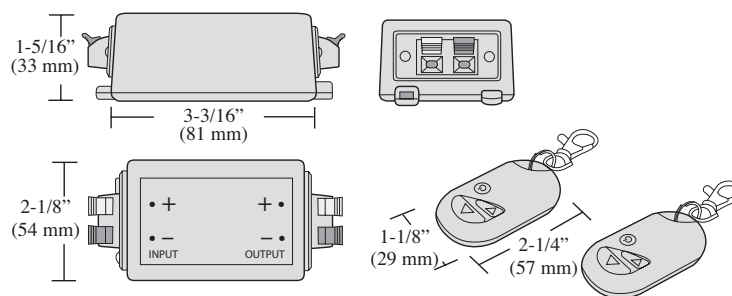
Features a built-in memory that recalls the last setting when turned on

No line of sight required

Comes with two remote controls (one extra, as a backup) that are synchronized to control the same dimmer

Can use multiple independently controlled dimmers in the same room

Dims lights from 100%-1%



Part #	Description	SLP
L-LED-DIMRMT-12V8A-1	LED Dedicated Remote Control Dimmer, 12/24VDC	\$63.90
L-LED-DIMRMT-12V8A-U-1*	LED Universal Remote Control Dimmer, 12/24VDC	\$63.90
L-24VDC3INADP-BL-1	12VDC to 24VDC Controller Adaptor Cord Set Black	\$10.75
L-24VDC3INADP-WH-1	12VDC to 24VDC Controller Adaptor Cord Set White	\$10.75

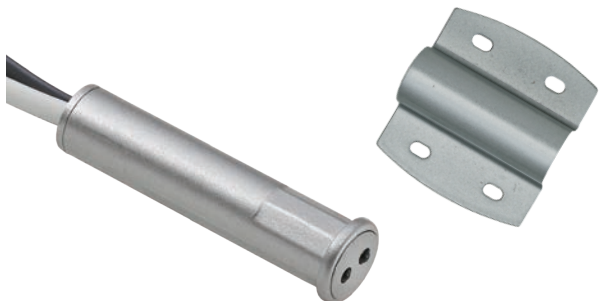
Adaptor Cord Set required for 24VDC operation.

***Recommended not to exceed 3 per room**

Placement of multiple dimmers in a room may be critical for proper function depending on set-up and obstacles.

Oval Controllers

12VDC



Door Sensor Controller

Door open, light on; door closed, light off

- Max wattage: 60W
- Sensor range: 1/4" - 2" (6 mm - 50 mm)
- Cable input: 79" (2 m)
- Cable output: 6" (152 mm)
- Finish: Black/Nickel

Motion Controller

Turns on when human motion is detected

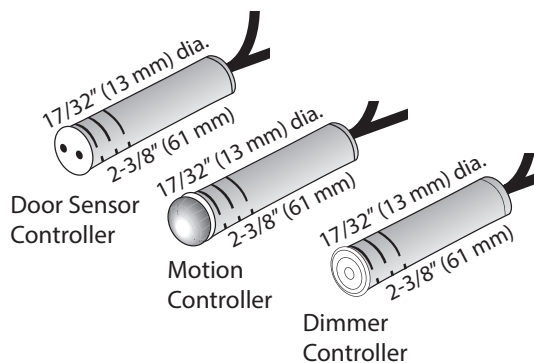
- Max wattage: 60W
- Sensor range: 0-5' (1500 mm)
- Viewing degree: 100°
- Time on: 30 secs if no motion
- Cable input: 79" (2 m)
- Cable output: 6" (152 mm)
- Finish: Black/Nickel



Dimmer Controller

Touch on/off and 0-100% dimming control

- Max wattage: 60W
- Cable input: 79" (2 m)
- Cable output: 6" (152 mm)
- Finish: Black/Nickel
- * Hold finger down for dimming



Part #	Description	SLP
L-LED-OVLTD-**-1	60W 12VDC Oval Recess/Surface Mnt. Touch Dimmer	\$42.70
L-LED-OVLDS-**-1	60W 12VDC Oval Recess/Surface Mnt. Door Sensor	\$40.95
L-LED-OVLMS-**-1	60W 12VDC Oval Recess/Surface Mnt. Motion Sensor	\$45.55
L-DB1732-1	17/32" (13.5 mm) Drill Bit for Recess Mount	\$44.25

**Available in Black (BL) and Nickel (NI)
Surface mount plate packaged with each controller.

NEW!

Profile Controllers

12VDC
24VDC



(5) profiles to choose from – angled, curved, recessed, round or square

Capacity: 12VDC/60W; 24VDC/96W

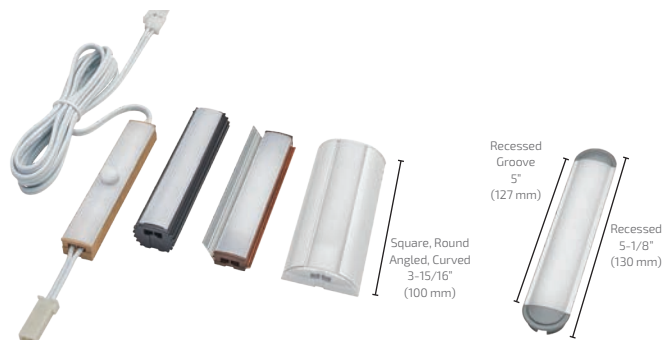
(2) configurations: Touch Dimmer and Touch Dimmer/Motion Combo

Power failure memory (retains last setting)

79" (2 m) input and 3" (76 mm) output

Controls all Tresco® dimmable low voltage lights

Various finishes available



Touch Dimmer Controller

Touch ON/OFF

Gradual dimming from 100%-5%

Power failure memory (retains last setting)

10-hour automatic energy-saving shutoff

Touch Dimmer and Motion Controller Combo

Premium Panasonic motion sensor

Touch dimmer function 100/75/50/25/Off

(3) time settings: 30 seconds, 3 minutes, 30 minutes or customization available

Motion sensor can be bypassed

Dimming function works in motion sensor mode or stand-alone mode

10-hour automatic energy-saving shut off in dimmer only mode

*Motion sensor time can be customized by Tresco®

Part #	Description	SLP
L-XSQRDIMA-XX-1	Dimmer Module for Square Profile	\$68.55
L-XCRVDIMA-XX-1	Dimmer Module for Curved Profile	\$68.55
L-XANGDIMA-XX-1	Dimmer Module for Angled Profile	\$61.90
L-XRNDDIMA-XX-1	Dimmer Module for Round Profile	\$64.05
L-XRECDIMA-XX-1	Dimmer Module for Recessed Profile	\$61.90
L-XSQRCBOYY-XX-1	Dimmer/Motion Sensor Combo for Square Profile	\$80.15
L-XCRVCBOYY-XX-1	Dimmer/Motion Sensor Combo for Curved Profile	\$80.15
L-XANGCBOYY-XX-1	Dimmer/Motion Sensor Combo for Angled Profile	\$73.50
L-XRNDCCBOYY-XX-1	Dimmer/Motion Sensor Combo for Round Profile	\$75.65
L-XRECCBOYY-XX-1	Dimmer/Motion Sensor Combo for Recessed Profile	\$73.50

All controllers are 3-15/16" (100 mm) in length except recessed profiles which are 5-1/8" (130 mm)

XX= Insert SC for Satin Clear, BL for Black, WH for White, DC for Dark Cherry, NSM for Natural Soft Maple
Round and recessed profiles only available in Satin Clear and Black

30 second, 3 minute, and 30 minute versions of Dimmer/Motion Sensor Combo available.
YY = 30S (30 second), 3M (3 minute) or 30M (30 minute)

Mounting:

(Mounting accessories are dependent upon the profile)

Square/Curved: Magnet mount (magnet already built-in) with metal plate and u-clips

Round: U-Clips

Angled: Screw-in

Recessed: Route a channel in wood 21/64" (8.33 mm) minimum depth x .75" (19 mm) width x 5" (127 mm) length and pressure fit this extrusion in place.

Manual In-Line Rotary Dimmer

12VDC
24VDC

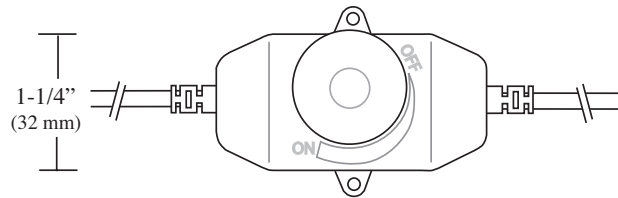
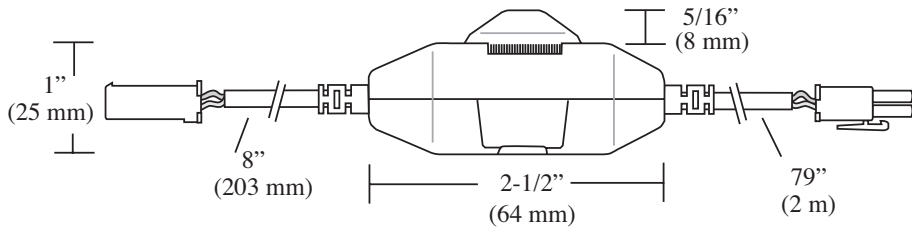
Features:

Capacity: 12VDC/48W; 24VDC/96W

100-0% dimming and on/off power

79" (2 m) input lead and 8" (203 mm) output lead

(2) screws for mounting



Part #	Description	SLP
L-LED-DIMCON-BL-1	LED Black Inline Rotary Dimmer, 12VDC/24VDC	\$40.00
L-LED-DIMCON-WH-1	LED White Inline Rotary Dimmer, 12VDC/24VDC	\$40.00
L-24VDC3INADP-BL-1	12VDC to 24VDC Controller Adaptor Cord Set Black	\$10.75
L-24VDC3INADP-WH-1	12VDC to 24VDC Controller Adaptor Cord Set White	\$10.75

Adaptor Cord Set required for 24VDC operation.

Round Switch

12VDC
24VDC

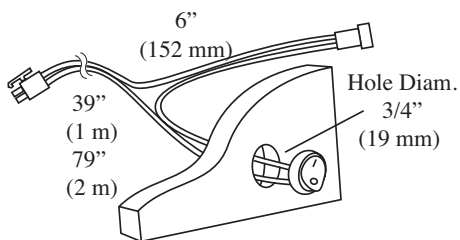
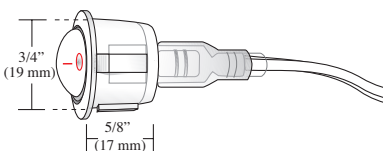
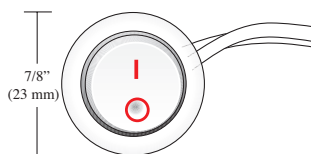
Capacity: 12VDC/60W; 24VDC/96W



Front View



Available in
Black and
White



Part #	Description	SLP
L-RDSW-1M-BL-1	Black Rocker Switch w/ 39" (1 m) Lead, 12/24VDC	\$17.15
L-RDSW-1M-WH-1	White Rocker Switch w/ 39" (1 m) Lead, 12/24VDC	\$17.15
L-RDSW-2M-BL-1	Black Rocker Switch w/ 79" (2 m) Lead, 12/24VDC	\$19.65
L-RDSW-2M-WH-1	White Rocker Switch w/ 79" (2 m) Lead, 12/24VDC	\$19.65
L-24VDC3INADP-BL-1	12VDC to 24VDC Controller Adaptor Cord Set Black	\$10.75
L-24VDC3INADP-WH-1	12VDC to 24VDC Controller Adaptor Cord Set White	\$10.75

3/4" (19 mm) hole required.
Adaptor Cord Set required for 24VDC operation.

Install Accessories

Wire Channel



Features:

Plastic channel for wire management

Available in (3) finishes: Black, Brown and White

Sold in 5' (1.5 m) lengths

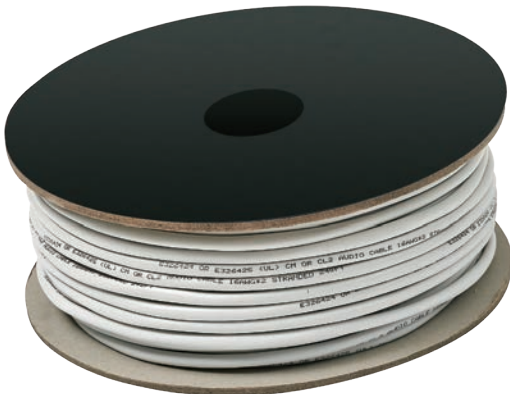
Easily cut to size in the field

Durable adhesive mounting

Part #	Description	SLP
L-WM5-BL-1	5' (1.5 m) Wire Management Channel Black	\$12.30
L-WM5-BR-1	5' (1.5 m) Wire Management Channel Brown	\$12.30
L-WM5-WH-1	5' (1.5 m) Wire Management Channel White	\$12.30

12VDC/24VDC Class 2 Wire and DIY Connectors

Part #	Description	SLP
L-16CL2-WH50-1	50' (15 m) Roll 16 AWG 12/24VDC Class 2 Wire White	\$73.50
L-LED-WCON-WH-1	12/24VDC DIY Barrel Connectors White (1 bag of 10)	\$47.80
L-LED-WCON-BL-1	12/24VDC DIY Barrel Connectors Black (1 bag of 10)	\$47.80



Wire rated for low-voltage in-wall use



AMP® Connector and Extractor



Part #	Description	SLP
L-PINEXT-1	AMP® Connector Extraction Tool	\$37.40
L-MALE-AMP-10-1	AMP® Connector for Light Fixture (box of 10)	\$10.65

Pin Extractor safely removes AMP® Connectors.

VHB Tape



Part #	Description	SLP
L-VHBTPE-1134-1	7/16" (11 mm) x 111-1/2' (34 m) VHB Adhesive Tape Roll	\$93.25

Automotive grade VHB tape can be used to mount all fixtures or as a base layer for mounting Tape LED products.

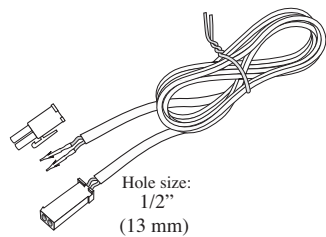
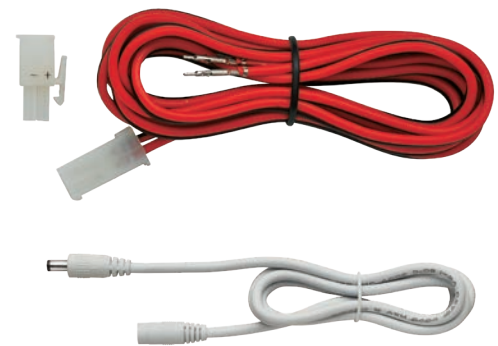
Starter/Extension Cord

Features:

Low-voltage wire

Used to extend the starter leads for any Tresco® lights

7 lengths (12VDC) 3 lengths (24VDC)

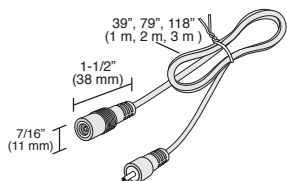


12VDC

Part #	Description	SLP
L-LED-LINKD-8-1	8 cm (3") 12VDC Starter/Link/Extension Cord	\$3.45
L-LED-LINKD-15-1	15 cm (6") 12VDC Starter/Link/Extension Cord	\$4.25
L-LED-LINKD-25-1	25 cm (10") 12VDC Starter/Link/Extension Cord	\$6.05
L-LED-LINKD-60-1	60 cm (24") 12VDC Starter/Link/Extension Cord	\$7.00
L-LED-LINKD-120-1	120 cm (48") 12VDC Starter/Link/Extension Cord	\$8.50
L-LED-LINKD-180-1	180 cm (72") 12VDC Starter/Link/Extension Cord	\$10.40
L-LED-LINKD-245-1	245 cm (96") 12VDC Starter/Link/Extension Cord	\$12.55

24VDC

Part #	Description	SLP
L-24BBEXT-1M-1	1 m (39") 24VDC ML/FML Barrel Extension, White	\$7.70
L-24BBEXT-2M-1	2 m (79") 24VDC ML/FML Barrel Extension, White	\$11.35
L-24BBEXT-3M-1	3 m (119") 24VDC ML/FML Barrel Extension, White	\$15.50



Drill Bit



Part #	Description	SLP
L-DB1732-1	17/32" (13 mm) Drill Bit	\$44.25

For installing Oval Controllers

Phillips Screwdriver



Part #	Description	SLP
L-P1SCRWDR-1	#1 Phillips Screwdriver	\$9.00

Mini Flathead Screwdriver



Part #	Description	SLP
L-MFSCRWDR-1	Mini Flathead Screwdriver	\$3.80

Tools of the Trade Starter Kit



Starter Kit Includes:

2 mount blocks	Mini flathead screwdriver	(1) 17/32" drill bit
50' (15 m) roll of class 2 wire	AMP® extractor	VHB tape
10 AMP® connectors	10 barrel connectors	15" (381 mm) canvas bag
Phillips screwdriver	10 wire management clips	



Starter Kit:

Part #	Description	SLP
L-TOOLKIT-1	Tools of the Trade Tool Bag Starter Kit	\$253.15

Replacement Items:

Part #	Description	SLP
L-16CL2-WH50-1	50' (15 m) Roll 16 AWG 12/24VDC Class 2 Wire White	\$73.50
L-TRANS-MNT-BL-1	Extra 6-Snap Mounting Block	\$10.75
L-MALE-AMP-10-1	AMP® Connector for Light Fixture (1 bag of 10)	\$10.65
L-WCLP-WH-1	Wire Management Adhesive Clips White (1 bag of 10)	\$8.75
L-LED-WCON-WH-1	12/24VDC DIY Barrel Connectors White (1 bag of 10)	\$47.80
L-LED-WCON-BL-1	12/24VDC DIY Barrel Connectors Black (1 bag of 10)	\$47.80
L-DB1732-1	17/32" (13 mm) Drill Bit	\$44.25
L-P1SCRWDR-1	#1 Phillips Screwdriver	\$9.00
L-MFSCRWDR-1	Mini Flathead Screwdriver	\$3.80
L-PINEXT-1	AMP® Connector Extraction Tool	\$37.40
L-VHBTPE-1134-1	7/16" (11 mm) x 111-1/2' (34 m) VHB Adhesive Tape Roll	\$93.25

Battery Lighting

Visit trescolighting.com for more information

Fit

FIT is the light that epitomizes form and function with its slim profile. Recessed in a depth of just 10 mm, it blends into the cabinet creating a clean appearance uncommon in other wireless fixtures, making it the picture perfect light that begs to be seen.



Features:

Battery operated (5 x AAA included)

Integrated motion sensor

Slim profile

Recessed installation



Alpha

Enlightenment begins with Alpha. The hassle-free wireless installation, high capacity USB rechargeable battery and slim profile of this all-purpose ecological light allows illumination of areas that are frequently left in the dark. The Alpha light is perfect for utility closets, drawers and cabinets.



Features:

USB rechargeable battery

Integrated Motion Sensor

"Twist-n-lock mounting bracket

Pivoting light face

Slim profile



Product Index Guide

3072-04-6.....	358	432-BFBBSC-6C.....	141	448-08SC-SRI-1.....	149, 151	486-30VSBSC-BM-1.....	115, 259
3472-04-6.....	359	432-BFSC-3C.....	142	448-11SC-SRI-1.....	151	486-30VSBSC-SM-1.....	115, 259
4235-11-5.....	131	432-BFSC-6C.....	142	448-BBSCWC-5C.....	231	499-18-LWN.....	86
6022-04-4.....	362, 398	432-BFSC-9C.....	142	448-BBSCWC-6C.....	231	499-18-RWN.....	86
6942-04-4.....	364	432-TF39-6C.....	180	448-BBSCWC-8C.....	231	4ASR-15.....	235
3001-18-**..12.....	358	432-TF45-6C.....	180	448-BBSCWC-9C.....	231	4ASR-15BIN-10.....	235
3001-20-**..12.....	358	432-VF26SC-3.....	271	448-BBSCWC36-5C.....	231	4ASR-18.....	235
3001-24-**..12.....	358	432-VF26SC-6.....	271	448-BBSCWC36-8C.....	231	4ASR-18BIN-10.....	235
3001-28-**..12.....	358	432-VF30SC-3.....	271	448-BC-11C.....	148, 149	4ASR-21.....	235
3071-18-**..52.....	358	432-VF30SC-6.....	271	448-BC-14C.....	148, 149	4ASR-21BIN-10.....	235
3071-20-**..52.....	358	432-WF-3C.....	239	448-BC-5C.....	148, 149	4ASR-25STD-20.....	235
3071-24-**..52.....	358	432-WF-6C.....	239	448-BC-6C.....	148, 149	4ASR-31STD-20.....	235
3071-28-**..52.....	358	432-WF33-3C.....	239	448-BC-8C.....	148, 149	4ASR-37STD-20.....	235
3072-04-18-6.....	358	432-WF33-6C.....	239	448-BC19SC-5C.....	151	4B-10-8.....	378, 400
3072-18-**..52.....	358	432-WF36-3C.....	239	448-BC19SC-8C.....	151	4B-7-8.....	378, 400
3072-20-**..52.....	358	432-WF36-6C.....	239	448-BCBBSC-5C.....	148, 149	4BM1-04-52.....	400
3072-24-**..52.....	358	432-WF39-3C.....	239	448-BCBBSC-8C.....	148, 149	4BM1-18-52.....	400
3072-28-**..52.....	358	432-WF39-6C.....	239	448-BCSC-11C.....	151	4BS-10-8.....	379, 380, 400
3073-04-18-431-4.....	358	432-WF42-3C.....	239	448-BCSC-14C.....	151	4BS-7-8.....	379, 380, 400
3073-04-18-436-4.....	358	432-WF42-6C.....	239	448-BCSC-5C.....	151	4CDI-18-KCUP-1.....	219
3073-18-**..531.....	358	432-WFBBSC30-3C.....	239	448-BCSC-6C.....	151	4CDI-24-KCUP-1.....	219
3073-18-**..536.....	358	432-WFBBSC30-6C.....	239	448-BCSC-8C.....	151	4CW2-18SC-1.....	119
3073-20-**..531.....	358	432-WFBBSC33-3C.....	239	448-BCSC-9C.....	151	4CW2-24SC-1.....	119
3073-20-**..536.....	358	432-WFBBSC33-6C.....	239	448-BCSCSD-5C.....	151	4DMCB-15.....	130
3150-11BR.....	243	432-WFBBSC36-3C.....	239	448-BCSCSD-8C.....	151	4DMCB-15P.....	130
3150-11CR.....	243	432-WFBBSC36-6C.....	239	448-BDDSC-11C.....	151	4DMCB-18.....	130
3150-11ORB.....	243	432-WFBBSC39-3C.....	239	448-BDDSC-5C.....	151	4DMCB-18P.....	130
3150-11SN.....	243	432-WFBBSC39-6C.....	239	448-BDDSC-8C.....	151	4DPB-2421.....	213
3150-16BR.....	243	432-WFBBSC42-3C.....	239	448-HP-523C.....	231	4DPB-3021.....	213
3150-16CR.....	243	432-WFBBSC42-6C.....	239	448PTH-BCSC-6C.....	118	4DPB-3921.....	213
3150-16ORB.....	243	432TB-BFBBSC-3C.....	135	448PTH-BCSC-8C.....	118	4DPBG-2421-1.....	213
3150-16SN.....	243	432TB-BFBBSC-6C.....	135	448-SR11-1.....	149	4DPBG-3021-1.....	213
3150-18BR.....	243	433-BF-9C.....	143	448-SR8-1.....	149	4DPBG-3921-1.....	213
3150-18CR.....	243	433-BFBBSC-9C.....	143	448-TP43-11-1.....	179	4DPS-2421.....	213
3150-18ORB.....	243	434-BF-3SS.....	145	448-TP43-14-1.....	179	4DPS-3021.....	213
3150-18SN.....	243	434-BF-6SS.....	145	448-TP43-5-1.....	179	4DPS-3921.....	213
3250BR.....	243	434-BFBBSC-3SS.....	145	448-TP43-8-1.....	179	4DPS-PEG-4.....	213
3250CR.....	243	434-BFBBSC-6SS.....	145	448-TP51-11-1.....	179	4DPS-PEG-WN-4.....	213
3250ORB.....	243	434-D3-5.....	145	448-TP51-14-1.....	179	4DPS-WN-2421.....	213
3250SN.....	243	434-D6-5.....	145	448-TP51-5-1.....	179	4DPS-WN-3021.....	213
3401-24-**..12.....	359	434-PEG3-6.....	145	448-TP51-8-1.....	179	4DPS-WN-3921.....	213
3401-28-**..12.....	359	434-PEG6-6.....	145	448-TP58-11-1.....	179	4FSCO-18SC-1.....	140
3401-32-**..12.....	359	434-S3-5.....	145	448-TP58-14-1.....	179	4FSCO-24SC-1.....	140
3450-11BR.....	243	434-S6-5.....	145	448-TP58-5-1.....	179	4FWI-16SS-1.....	217
3450-11CR.....	243	434-TF39-6SS.....	181	448-TP58-8-1.....	179	4HD-15-1.....	256
3450-11ORB.....	243	434-TF39R-6SS.....	181	448-VC20SC-8.....	273	4HDBM2-04-52.....	380, 400
3450-11SN.....	243	434-TF45-6SS.....	181	448-VC25SC-8.....	273	4KCB-18HSC-1.....	209
3471-24-**..52.....	359	434-TF45R-6SS.....	181	448-WC-5C.....	231	4KCB-21HSC-1.....	209
3471-28-**..52.....	359	434-WF-3SS.....	248	448-WC-8C.....	231	4KCB-24HSC-1.....	209
3471-32-**..52.....	359	438-BC-3C.....	146	448KB-BCSC-11C.....	154	4KCB-419HFLSC-1.....	209
3472-24-**..52.....	359	438-BC-6C.....	146	448KB-BCSC-5C.....	154	4MR-18-1.....	233
3472-28-**..52.....	359	438-BCSC-3C.....	146	448KB-BCSC-8C.....	154	4MR-18W-1.....	233
3472-32-**..52.....	359	438-BCSC-6C.....	146	448KB-BCSC-9C.....	154	4PIL-18SC-2.....	138, 139, 176, 177
4231-08-52.....	131	441-12VSBSC-1.....	116, 260	448OXO-BCSC-8C.....	152	4PIL-18SC-3.....	138, 139, 176, 177
4231-11-52.....	131	441-15VSBSC-1.....	116, 260	448UT-BCSC-5C.....	153	4PIL-18SC-SC-2.....	176
4231-14-52.....	131	444-BBSCWC-5SS.....	249	448UT-BCSC-8C.....	153	4PIL-18SC-SV-2.....	138, 139, 177
4231-20-52.....	131	444-BC-8SS.....	147	449-BCSC-10C.....	157	4PIL-18SC-SV-3.....	138, 139, 176, 177
4235-14-5.....	131	444-BCSC-8SS.....	147	449-BCSC-5C.....	157	4PIL-21-1.....	139, 177
4235-20-5.....	131, 191	444-WC-5SS.....	249	449-BCSC-7C.....	157	4PIL-21-10.....	139, 177
4265-20-50.....	195	445-VBOSC-8C.....	252	449-BCSC-8C.....	157	4PIL-21-SV-1.....	139, 177
4265-22-52.....	191	445-VCG20SC-8.....	272	449KB-BCSC-8C.....	157	4PIL-21-SV-10.....	139, 177
432-BF-3C.....	141	445-VCG25SC-8.....	272	449UT-BCSC-10C.....	157	4PIL-24SC-2.....	138, 139, 176, 177
432-BF-6C.....	141	4465-24-50.....	195	449UT-BCSC-5C.....	157	4PIL-24SC-3.....	138, 139, 176, 177
432-BF-9C.....	141	447-BCSC-5C.....	155	449UT-BCSC-7C.....	157	4PIL-24SC-SV-2.....	138, 139, 176, 177
432-BFBBSC-3C.....	141	447-BCSC-8C.....	155	449UT-BCSC-8C.....	157	4PIL-24SC-SV-3.....	138, 139, 176, 177

4PIL-BUTTON-1.....	139, 177	4WC-WN-18DM2-SC.....	59	4WCTM-WNRM-1850DM-1.....	69	4WLS401-24-8.....	380
4PIL-BUTTON-12.....	139, 177	4WC-WN-2150DM2-SC.....	59	4WCTM-WNRM-2150DM-2.....	69	4WLS401-28-52.....	380
4SB-10-1.....	401	4WCBM-1550DM-1.....	61	4WD-22-1.....	221	4WLS401-28-8.....	380
4SB-10-10.....	401	4WCBM-15DM-1.....	61	4WD-22SH-1.....	221	4WLS401-28-B552.....	380
4SB-7-1.....	401	4WCBM-18DM-2.....	61	4WD-22SH-WN-1.....	221	4WLS401-32-52.....	380
4SB-7-10.....	401	4WCBM-2150DM-2.....	61	4WDB-1218SC-1.....	136	4WLS401-32-8.....	380
4SBS-10-1.....	401	4WCBM-2430DM-2.....	61	4WDB-1222SC-1.....	136	4WLS401-32-B552.....	380
4SBS-10-10.....	401	4WCCB-18HSC-1.....	203	4WDB-1522SC-1.....	136	4WLS421-24-52.....	195
4SBS-7-1.....	401	4WCCB-419HFLSC-1.....	203	4WDB-1822SC-1.....	136	4WLS441-24-8.....	380
4SBS-7-10.....	401	4WCDB-18HFLSC-1.....	208	4WDB-2122SC-1.....	136	4WLS441-28-8.....	380
4SBSU-15.....	109, 129	4WCDB-18HSC-1.....	208	4WDB4-18SC-1.....	137	4WLS441-32-8.....	380
4SBSU-18.....	109, 129	4WCSC-128-19-1.....	263	4WDB4-24SC-1.....	137	4WLS472-24-52.....	380
4SBSU-21.....	109, 129	4WCSC-1532DM16-1.....	63, 262	4WDB4-PIL-18SC-1.....	138, 139, 176, 177	4WLS472-28-52.....	380
4SDI-18.....	218	4WCSC-1535DM-1.....	63	4WDB4-PIL-24SC-1.....	138, 139, 176, 177	4WLS472-32-52.....	380
4SDI-24.....	218	4WCSC-1535DM19-1.....	63, 262	4WDB7-18SC-1.....	137	4WLS6072-04-4.....	378, 379
4SDI-36-1.....	218	4WCSC-1550DM-1.....	63	4WDB7-24SC-1.....	137	4WLS6073-04-436.....	378, 379
4SDI-WN-18-1.....	218	4WCSC-1835CK**2.....	41, 63	4WDB7-PIL-18SC-1.....	138, 139, 176, 177	4WLS6272-04-4.....	380
4SDI-WN-24-1.....	218	4WCSC-1835DM-2.....	63	4WDB7-PIL-24SC-1.....	138, 139, 176, 177	4WLS882-32-570.....	89, 380
4SH-15-1.....	255	4WCSC-1835DMND-2.....	63	4WDKB-1.....	220	4WLS882-35-570.....	89, 380
4SOWC-8-1.....	72, 262	4WCSC-2135DM-2.....	63	4WDKB-WN-1.....	220	4WLS882-38-570.....	89, 380
4SPBD-15.....	109, 129	4WCSC-2150DM-2.....	63	4WDP18-45.....	183	4WLS901-24-52.....	381
4SPBD-18.....	109, 129	4WCSC-CK**1.....	41, 63	4WDP18-51.....	183	4WLS901-24-8.....	381
4SR-15.....	234	4WCSD-1535DM-1.....	63	4WDP18-57*.....	183	4WLS901-2433-8.....	381
4SR-18.....	234	4WCSD-1550DM-1.....	63	4WFR-15-1.....	237	4WLS901-28-52.....	381
4SR-21.....	234	4WCSD-1835DM-2.....	63	4WFR-18-1.....	237	4WLS901-28-8.....	381
4TMBIN-15-6.....	46	4WCSD-2150DM-2.....	63	4WFR-21-1.....	237	4WLS901-31-52.....	381
4TMBIN-17-6.....	46	4WCT-1.....	215	4WH-RM-15DM-1.....	264	4WLS901-31-8.....	381
4TMBIN-6.....	46	4WCT-1SH.....	215	4WH-VCSC-21DM-1.....	263, 334	4WLS940-04P-24-4.....	381
4TT-2133-1.....	211	4WCT-3.....	215	4WKB-1.....	221	4WLS940-04P-28-4.....	381
4VCOS-22-1.....	254	4WCT-3SH.....	215	4WLS001-10-B52.....	378	4WLS940-04P-31-4.....	381
4VDO-12SC-1.....	210, 258	4WCT-WN-1SH.....	215	4WLS001-18-52.....	378	4WLS942-2433-52.....	381
4VDO-15SC-1.....	210, 258	4WCT-WN-3SH.....	215	4WLS001-18-8.....	378	4WLS942-24P-52.....	381
4VDO-18SC-1.....	210, 258	4WCTM-12BBSCDM1.....	68	4WLS001-18-B52.....	378	4WLS942-28P-52.....	381
4VDO-267FLSC-1.....	210, 258	4WCTM-12CK**SCDM1.....	41, 68	4WLS001-20-52.....	378	4WLS942-31P-52.....	381
4VDO-343FLSC-1.....	210, 258	4WCTM-12DM1.....	68	4WLS001-20-8.....	378	4WP18-45-KIT.....	183
4VDO-419FLSC-1.....	210, 258	4WCTM-12DM1-162.....	68	4WLS001-20-B52.....	378	4WP18-51-KIT.....	183
4VDOHT-12SC-1.....	210, 258	4WCTM-12DM1-175.....	68	4WLS001-22-8.....	378	4WP18-57-KIT.....	183
4VDOHT-15SC-1.....	210, 258	4WCTM-12DM1-343-FL.....	68	4WLS001-28-52.....	378	4WSP18-45.....	183
4VDOHT-18SC-1.....	210, 258	4WCTM-12INDM-1.....	68	4WLS001-28-8.....	378	4WSP18-51.....	183
4VDOHT-267FLSC-1.....	210, 258	4WCTM-1516DM-1.....	68	4WLS001-28-B52.....	378	4WSP18-57*.....	183
4VDOHT-343FLSC-1.....	210, 258	4WCTM-1550BBSCDM-1.....	68	4WLS001-32-52.....	378	4WTCD-15H-1.....	205
4VDOHT-419FLSC-1.....	210, 258	4WCTM-1550DM-1.....	68	4WLS001-32-8.....	378	4WTCD-15HSC-1.....	205
4VDOHT-419FLSC-1.....	210, 258	4WCTM-1550DM1-343-FL.....	68	4WLS001-32-B52.....	378	4WTCD-18H-1.....	205
4VDOT-12SC-1.....	210, 258	4WCTM-1550DM1-343-FL.....	68	4WLS041-18-8.....	378	4WTCD-18H-KCUP-1.....	207
4VDOT-15SC-1.....	210, 258	4WCTM-15BBSCDM2.....	68	4WLS041-20-8.....	378	4WTCD-18HSC-1.....	205
4VDOT-18SC-1.....	210, 258	4WCTM-15DM2.....	68	4WLS041-28-8.....	378	4WTCD-18HSC-KCUP-1.....	207
4VDOT-267FLSC-1.....	210, 258	4WCTM-15DM2-162.....	68	4WLS041-32-8.....	378	4WTCD-21H-1.....	205
4VDOT-343FLSC-1.....	210, 258	4WCTM-15DM2-343-FL.....	68	4WLS072-18-52.....	378	4WTCD-21HSC-1.....	205
4VDOT-419FLSC-1.....	210, 258	4WCTM-1816DM-1.....	68	4WLS072-20-52.....	378	4WTCD-24HSC-1.....	205
4VHTM-1520DM-1.....	264	4WCTM-1818DM-1-162.....	68	4WLS072-22-52.....	378	4WTCD-30H-1.....	206
4VLWCSC-1535DM-1.....	65	4WCTM-1850DM-1.....	68	4WLS072-28-52.....	378	4WTCD-30HSC-1.....	206
4VLWCSC-1550DM-1.....	65	4WCTM-1850DM2-419-FL.....	68	4WLS072-32-52.....	378	4WTCD-343HFL-1.....	205
4VLWCSC-1835DM-2.....	65	4WCTM-18BBSCDM2.....	68	4WLS073-18-536.....	378	4WTCD-343HFLSC-1.....	205
4VLWCSC-2135DM-2.....	65	4WCTM-18CK**SCDM2.....	41, 68	4WLS073-20-536.....	378	4WTCD-36H-1.....	206
4VLWCSC-2150DM-2.....	65	4WCTM-18DM2.....	68	4WLS201-20-52.....	379	4WTCD-36HSC-1.....	206
4VOD-18FLSC-1.....	253	4WCTM-18DM2-162.....	68	4WLS201-20-8.....	379	4WTCD-419HFL-1.....	205
4VOD-18SC-1.....	253	4WCTM-18DM2-175.....	68	4WLS201-20-B552.....	379	4WTCD-419HFLSC-1.....	205
4VR-12-1.....	133, 261	4WCTM-18DM2-419-FL.....	68	4WLS201-20-B58.....	379	4WTCD-495HFL-1.....	205
4VR-15-1.....	133, 261	4WCTM-18INDM-2.....	68	4WLS201-22-B552.....	379	4WTCD-495HFLSC-1.....	205
4VR-18-1.....	133	4WCTM-2150BBSCDM-2.....	68	4WLS201-22-B58.....	379	4WTCD-572HFL-1.....	205
4VR-21-1.....	133	4WCTM-2150DM-2.....	68	4WLS201-31-52.....	379	4WTCD-572HFLSC-1.....	205
4VR-24-1.....	133, 261	4WCTM-21DM2.....	68	4WLS201-31-8.....	379	4WTCD-724HFL-1.....	206
4WBDP18-25.....	132	4WCTM-21DM2-162.....	68	4WLS201-31-B552.....	379	4WTCD-724HFLSC-1.....	206
4WBP18-25-KIT.....	132	4WCTM-21DM2-495-FL.....	68	4WLS201-31-B58.....	379	4WTCD-876HFL-1.....	206
4WBSP18-25.....	132	4WCTM-24DM2.....	68	4WLS221-20-52.....	195	4WTCD-876HFLSC-1.....	206
4WC-15DM1.....	58	4WCTM-24DM2-162.....	68	4WLS241-20-8.....	379	4WTCDD-30HSC-1.....	202
4WC-18DM2.....	58	4WCTM-27-4.....	68	4WLS241-31-8.....	379	4WTCDD-36HSC-1.....	202
4WC-24DM2-SC.....	58	4WCTM-27-4-597-FL.....	68	4WLS272-20-52.....	379	4WTCDD-724HFLSC-1.....	202
4WC-TOKIT-12.....	59, 63, 73	4WCTM-RM-1835DM-1.....	69	4WLS272-22-52.....	379	4WTCDD-876HFLSC-1.....	202
4WC-TOKIT-15.....	59, 63, 73	4WCTM-RM-1850DM-1.....	69	4WLS272-31-52.....	379	4WTMD-24HSC-1.....	201
4WC-TOKIT-18.....	59, 63, 73	4WCTM-RM-2135DM-2.....	69	4WLS273-20-536.....	379	4WUT-1.....	217
4WC-WN-1550DM1-SC.....	59	4WCTM-RM-2150DM-2.....	69	4WLS401-24-52.....	380	4WUT-1SH.....	217
4WC-WN-15DM1-SC.....	59	4WCTM-SP-KIT.....	68				

4WUT-3.....	217	53472-32FOG-1.....	392	53PSP-18SC-FOG.....	85	5786-33CR.....	114
4WUT-3SH.....	217	53472-32GR-1.....	392	53PSP3-15SC**.....	85	5789CR.....	167
4WUT-WN-1SH.....	217	53472-32MP-1.....	392	53PSP3-18SC**.....	85	582-18-LMP.....	81
4WUT-WN-3SH.....	217	5349-1527DM-2.....	53	53TM-1835GSCDM2-FL.....	56	582-18-RMP.....	81
4WV-15MP.....	134	5349-1527DM-217.....	53	53TM-1850GSCDM2-FL.....	56	5881-33CR-1.....	91, 396
4WV-15WN.....	134	5349-1550DM-1.....	53	53TM-18GSCDM3-FL.....	56	596-10CR-52.....	122, 240
4WV-18MP.....	134	5349-1550DM-117.....	53	53TM-24GSCDM4-FL.....	56	597-12-10.....	123, 241
4WV-18WN.....	134	5349-15CK**-1.....	41, 53	53TMVH-24SCDM-2-FL.....	265	597-12-52.....	123, 241
5149-1527DM-211.....	51	5349-15DM-1.....	53	53WC-1527SCDM-212.....	55	597-12CR-10.....	123, 241
5149-1527DM-217.....	51	5349-15DM-117.....	53	53WC-1527SCDM-213.....	55	597-12CR-52.....	123, 241
5149-1550DM-111.....	51	5349-15DM-18-1.....	53	53WC-1527SCDM-217.....	55	597-18-10.....	123
5149-1550DM-117.....	51	5349-15DM-18-117.....	53	53WC-1535SCDM-112.....	55	597-18-52.....	123
5149-15DM-111.....	51	5349-18CK**2.....	41, 53	53WC-1535SCDM-113.....	55	597-18CR-10.....	123
5149-15DM-117.....	51	5349-18DM-2.....	53	53WC-1535SCDM-117.....	55	597-18CR-52.....	123
5149-15DM18-111.....	51, 275	5349-18DM-217.....	53	53WC-1550SCDM-112.....	55	599-18-LMP.....	87
5149-15DM18-117.....	51, 275	5349-2150DM-2.....	53	53WC-1550SCDM-113.....	55	599-18-RMP.....	87
5149-18DM-211.....	51	5349-2150DM-217.....	53	53WC-1550SCDM-117.....	55	5BBSC-WMDM24-C.....	57
5149-18DM-217.....	51	5350-08**.....	187	53WC-1835SCDM-212.....	55	5BBSC-WMDM24-W.....	57
5149-2150DM-211.....	51	5350-10**.....	187	53WC-1835SCDM-213.....	55	5CC-915S-11-1.....	95
5149-2150DM-217.....	51	5350-13**.....	187	53WC-1835SCDM-217.....	55	5CC-915S-13-1.....	95
5190-15RM-111.....	268	5350-16**.....	187	53WC-2150SCDM-212.....	55	5CC-915S-18-1.....	95
5190-15RM-117.....	268	5350-19**.....	187	53WC-2150SCDM-213.....	55	5CCSO12-11-1.....	94
5190-LINER.....	268	5358-08**.....	187	53WC-2150SCDM-217.....	55	5CCSO12-13-1.....	94
5225-09-MP.....	165	5358-10**.....	187	544-10C-1.....	110	5CCSO12-18-1.....	94
5258-09-MP.....	185	5358-13**.....	187	5472-28 CR.....	395	5CHB-LINER.....	269, 336
5258-14-MP.....	185	5358-16**.....	187	5472-32 CR.....	395	5CW2-1222-CR.....	128
5272-20 CR.....	394	5358-19**.....	187	548-06CR-1.....	124	5CW2-1222SC-CR.....	128
5272-32 CR.....	394	5365-08-FOG.....	236	548-10CR-1.....	108	5CW2-2122-CR.....	128
5273-09-MP.....	185	5365-10-FOG.....	236	548-BC-8C.....	165	5CW2-2122SC-CR.....	128
5273-14-MP.....	185	5365-14-FOG.....	236	563-32.....	96	5DCD-1-CR.....	213
5273-20-536 CR.....	394	5371-15**L.....	79	563-32 C.....	96	5DCH-2-1-CR.....	213
53-401-32BSFOG-1.....	392	5371-15**R.....	79	563-47.....	96	5DL1-CR.....	213
53-401-32BSGR-1.....	392	5371-15-FOG-L.....	77	563-47 C.....	96	5KCUP-432-1.....	239
53-401-32BSMP-1.....	392	5371-15-FOG-R.....	77	563-51-C.....	96	5LB-12300GMP-113.....	49
5322-BCSC-11-GR.....	158, 159	5371-18**L.....	79	565-10-52.....	236	5LB-12300GWN-113.....	49
5322-BCSC-11-MP.....	158, 159	5371-18**R.....	79	565-14-52.....	236	5LB-1230SSBL-118.....	49
5322-BCSC-5-GR.....	158, 159	5371-18-FOG-L.....	77	565-8-52.....	236	5LB-15350GMP-113.....	49
5322-BCSC-5-MP.....	158, 159	5371-18-FOG-R.....	77	57-EXTEND-1.....	187, 189	5LB-15350GWN-113.....	49
5322-BCSC-6-FOG.....	158, 159	5371-21**L.....	79	5707-15CR.....	88	5LB-15500GMP-113.....	49
5322-BCSC-6-GR.....	158, 159	5371-21**R.....	79	5707-18CR.....	88	5LB-15500GWN-113.....	49
5322-BCSC-6-MP.....	158, 159	5371-21-FOG-L.....	77	5708-15CR.....	232	5LB-1550SSBL-118.....	49
5322-BCSC-8-GR.....	158, 159	5371-21-FOG-R.....	77	5722-36CR.....	190	5LB-18350GMP-213.....	49
5322-BCSC-8-MP.....	158, 159	5371-SC-KIT-1.....	77, 79	5730-12CR.....	166, 167	5LB-18350GWN-213.....	49
5322-BCSC-9-FOG.....	158, 159	5372-15**L.....	79	5730-15CR.....	166, 167	5LB-1835SSBL-218.....	49
5322-BCSC-9-GR.....	158, 159	5372-15**R.....	79	5730-21CR.....	166, 167	5LB-18500GMP-213.....	49
5322-BCSC-9-MP.....	158, 159	5372-15-FOG-L.....	77	5730-33CR.....	166, 167	5LB-18500GWN-213.....	49
5322KB-BCSC-11-GR.....	160, 161	5372-15-FOG-R.....	77	5743-04-CR-1.....	189	5LB-1850SSBL-218.....	49
5322KB-BCSC-11-MP.....	160, 161	5372-18**L.....	79	5743-08-CR-1.....	189	5LB-TOKIT-12.....	49, 73
5322KB-BCSC-6-FOG.....	160, 161	5372-18**R.....	79	5743-10-CR-1.....	189	5LB-TOKIT-15.....	49, 73
5322KB-BCSC-6-GR.....	160, 161	5372-18-FOG-L.....	77	5743-14-CR-1.....	189	5LB-TOKIT-18.....	49, 73
5322KB-BCSC-6-MP.....	160, 161	5372-18-FOG-R.....	77	5743-16-CR-1.....	189	5LBSD-KIT-1.....	49
5322KB-BCSC-8-GR.....	160, 161	5372-21**L.....	79	5743-20-CR-1.....	189	5LSF018-8CR.....	396
5322KB-BCSC-8-MP.....	160, 161	5372-21**R.....	79	5750-04-CR-1.....	189	5LSF018-CR.....	396
5322KB-BCSC-9-GR.....	160, 161	5372-21-FOG-L.....	77	5750-08-CR-1.....	189	5LSF020-8CR.....	396
5322KB-BCSC-9-MP.....	160, 161	5372-21-FOG-R.....	77	5750-10-CR-1.....	189	5LSF020-CR.....	396
5322UT-BCSC-6-FOG.....	162, 163	5372-SC-KIT-2.....	77, 79	5750-14-CR-1.....	189	5LSF028-8CR.....	396
5322UT-BCSC-6-GR.....	162, 163	5373-08**.....	187	5750-16-CR-1.....	189	5LSF028-CR.....	396
5322UT-BCSC-6-MP.....	162, 163	5373-10**.....	187	5750-20-CR-1.....	189	5LSF032-8CR.....	396
5322UT-BCSC-8-GR.....	162, 163	5373-13**.....	187	5758-04-CR-1.....	189	5LSF032-CR.....	396
5322UT-BCSC-8-MP.....	162, 163	5373-16**.....	187	5758-08-CR-1.....	189	5LSF424-8CR.....	396
5330-12BCSC**.....	169	5373-19**.....	187	5758-10-CR-1.....	189	5LSF424-CR.....	396
5330-15BCSC**.....	169	5374-18FL-FOG.....	184	5758-14-CR-1.....	189	5LSF428-8CR.....	396
5330-21BCSC**.....	169	5374-24FL-FOG.....	184	5758-16-CR-1.....	189	5LSF428-CR.....	396
5330-33BCSC**.....	169	5375-40WR-1CR.....	164	5758-20-CR-1.....	189	5LSF432-8CR.....	396
5330-33BCSCFL-FOG.....	169	5386-30BCSC**.....	113	5773-04-CR-1.....	189	5LSF432-CR.....	396
5343-08**.....	187	5386-30BCSCFL-FOG.....	113	5773-08-CR-1.....	189	5PD-24CRN.....	245
5343-10**.....	187	5386-33BCSC**.....	113	5773-10-CR-1.....	189	5PD-24FOG.....	245
5343-13**.....	187	5386-33BCSCFL-FOG.....	113	5773-14-CR-1.....	189	5PD-36CRN.....	245
5343-16**.....	187	53PSP-15SC**.....	85	5773-16-CR-1.....	189	5PD-36FOG.....	245
5343-19**.....	187	53PSP-15SC-FOG.....	85	5773-20-CR-1.....	189	5PSP-15-CR.....	83
5345-DM-KIT-1.....	53	53PSP-18SC**.....	85	5786-30CR.....	114	5PSP-15SC-CR.....	83

5PSP-18-CR.....	83	6072-04-52.....	398	65*1-31-5.....	105	6942-24.**-52.....	364
5PSP-18SC-CR.....	83	6072-16.**-52.....	363	6541-36.**-4.....	103	6942-28.**-52.....	364
5PSP3-15SC-CR.....	83	6072-18.**-52.....	363	6541-36.**-50.....	103	6950-07P-52.....	399
5PSP3-18SC-CR.....	83	6072-20.**-52.....	363	6541-36.**-52.....	103	7001-20.**-4.....	362
5SBWC-815S-1.....	72, 111, 276	6072-24.**-52.....	363	6541-36.**-ETH.....	103	7012-20.**-52.....	362
5SBWCC-8S-1.....	111, 276	6072-28.**-52.....	363	6541-36SC-11-50.....	104	7013-20.**-52.....	362
5UPD-24CRN.....	247	6072-32.**-52.....	363	6541-36SC-15-50.....	104	8-010212-14.....	70, 274, 323
5WB-DMKIT.....	47, 72, 95, 111, 127, 128, 276	6073-04-536.....	398	6542-11.**-4.....	103	8-010314-15.....	70, 274, 323
5WB1-0918CR-1.....	127	6073-18.**-536.....	363	6542-11.**-52.....	103	8-010412-15.....	70, 274, 323
5WB1-1218CR-1.....	127	6073-20.**-536.....	363	6542-14.**-4.....	103	8-060-11SS.....	73
5WB1-1220CR-1.....	127	6221-20.**-52.....	194, 363	6542-14.**-52.....	103	8-060-15SS.....	73
5WB1-1222CR-1.....	127	6221-22.**-52.....	363	6542-97.**-4.....	103	8-700411-20.....	70, 274
5WB1-1520CR-1.....	127	6230-MB-11-1.....	99, 131	6542-ETH.**-10.....	103	8-785-30-2SS.....	71
5WB1-1522CR-1.....	127	6232-08.**-52.....	99	6551-36.**-50.....	101	8-785-30-DM2SS.....	71
5WB1-1820CR-1.....	127	6232-14.**-52.....	99	6551-36.**-52.....	101	BDC-200.**.....	225
5WB1-1822CR-1.....	127	6232-20.**-52.....	99	6551-36.**-ETH.....	101	BDC-200-20.....	225
5WB1-2120CR-1.....	127	6232-26-4528-52.....	99, 131, 193	6551-36SC-11-50.....	104	BDC24.**.....	225
5WB1-2122CR-1.....	127	6232-58-4528-52.....	99, 131, 191, 192	6551-36SC-15-50.....	104	BDC24-20.....	225
5WB1-2422CR-1.....	127	6235-08.**-52.....	99	6552-94-0220-4.....	107	BM1-04-52.....	363, 364, 400
5WB2-0918CR-1.....	127	6235-14.**-52.....	99, 193	6552-95-0220-4.....	107	BM1-18-52.....	363, 364, 400
5WB2-0922CR-1.....	127	6235-20.**-52.....	99, 192	6552-97.**-4.....	101	BM1-VL-04-52.....	358, 359, 363, 400
5WB2-1218CR-1.....	127	6260-38-1.....	399	6552-ETH.**-10.....	101	BM1-VL-18-52.....	358, 359, 363, 400
5WB2-1222CR-1.....	127	6265-04-52.....	399	6552-ETH-10.....	107	BM1-VL-18-LHUB-12.....	359
5WB2-1522CR-1.....	127	6265-20.**-50.....	194	6561-11.**-4.....	102	BM1-VL-18-LHUB-6.....	400
5WB2-1822CR-1.....	127	6265-22.**-52.....	192	6561-14.**-4.....	102	BM1-VL-18-SHUB-6.....	400
5WB2-2122CR-1.....	127	6271-20.**-52.....	363	6562-11.**-52.....	102	BM1-VL-4-LHUB-12.....	358, 359, 400
5WB2-2422CR-1.....	127	6271-22.**-52.....	363	6562-14.**-52.....	102	BM1-VL-4-SHUB-12.....	358, 400
5WBR-18CR-1.....	175	6272-04-52.....	399	6571-36.**-4.....	101, 237	BRC-12CR.....	303
5WBR-18CR-5.....	175	6272-20.**-52.....	363	6571-60-52.....	101, 237	BRC-12NS-CR.....	306
5WBR-24CR-1.....	175	6272-22.**-52.....	363	6571-61-52.....	101, 237	BRC-12NS-ORB.....	306
5WBR-24CR-5.....	175	6273-20.**-536.....	363	6571-72.**-4.....	101, 237	BRC-12NS-SN.....	306
5WBR-30CR-1.....	175	6273-22.**-536.....	363	6572-11.**-4.....	102	BRC-12ORB.....	303
5WBR-30CR-5.....	175	6360-05-7008-26-52.....	399	6572-11.**-52.....	102	BRC-12SN.....	303
5WCOR-18CR-1.....	174	6370-96-7008-26-52.....	194, 195, 399	6572-14.**-4.....	102	BRC-14CR.....	303
5WCOR-24CR-1.....	174	6421-18.**-52.....	194, 364	6572-14.**-52.....	102	BRC-14ORB.....	303
5WCOR-30CR-1.....	174	6421-24.**-52.....	194, 364	6581-11.**-4.....	102	BRC-14SN.....	303
5WSCR-18CR-1.....	175	6421-28.**-52.....	364	6581-14.**-4.....	102	BRCPOSL-14-BZ-1.....	296
5WSCR-18CR-5.....	175	6421-32.**-52.....	364	6581-25SC-52.....	104	BRCPOSL-14-CR-1.....	296
5WSCR-24CR-1.....	175	6465-18.**-50.....	194	6581-28SC-52.....	104	BRCPOSL-14-SN-1.....	296
5WSCR-24CR-5.....	175	6465-24.**-50.....	194	6581-31SC-52.....	104	BRCSL-14NS-CR-1.....	304
5WSCR-30CR-1.....	175	6470-96-4008-26-52.....	399	6591-11.**-4.....	102	CA-LGORG-1.....	343
5WSCR-30CR-5.....	175	6471-18.**-52.....	364	6591-14.**-4.....	102	CA-NECKLACE-1.....	343
6000-05-7200-2-52.....	398	6471-24.**-52.....	364	6621-16.**-52.....	363	CA-SMORG-1.....	343
6000-07P-52.....	398	6471-28.**-52.....	364	6621-18.**-52.....	363	CB-181207CR.*.....	284
6000-37-52.....	398	6471-32.**-52.....	364	6621-20.**-52.....	363	CB-181211CR.*.....	284
6001-18.**-4.....	362	6472-18.**-52.....	364	6621-24.**-52.....	363	CB-181218CR.*.....	284
6001-20.**-4.....	362	6472-24.**-4S.....	364	6621-28.**-52.....	363	CB-181407CR.*.....	284
6001-24.**-4.....	362	6472-24.**-52.....	364	6621-32.**-52.....	363	CB-181411CR.*.....	284
6001-28.**-4.....	362	6472-28.**-4S.....	364	6700-61-13-52.....	46	CB-181418CR.*.....	284
6012-18.**-52.....	362	6472-28.**-52.....	364	6700-61-17-52.....	46	CB-181607CR.*.....	284
6012-20.**-52.....	362	6472-32.**-4S.....	364	6700-61-18-52.....	46	CB-181611CR.*.....	284
6012-24.**-52.....	362	6472-32.**-52.....	364	6700-61-6.....	46	CB-181618CR.*.....	284
6012-28.**-52.....	362	65*1-10-4.....	105	6841-04-52.....	402	CB-182007CR.*.....	284
6013-18.**-526.....	362	65*1-10-5.....	105	6842-04-570.....	402	CB-182011CR.*.....	284
6013-20.**-526.....	362	65*1-11-4.....	105	6842-31.**-570.....	90, 365	CB-182018CR.*.....	284
6020-04P-4.....	398	65*1-11-5.....	105	6842-33.**-570.....	90, 365	CB-241207CR.*.....	284
6020-04P-426.....	398	65*1-13-4.....	105	6842-39.**-570.....	90, 365	CB-241211CR.*.....	284
6020-04P-52.....	398	65*1-13-5.....	105	6881-31.**-52.....	90, 365	CB-241218CR.*.....	284
6020-96-3100-2.....	398	65*1-14-4.....	105	6881-33.**-52.....	90, 365	CB-241407CR.*.....	284
6020-96-3600-2.....	398	65*1-14-5.....	105	6881-39.**-52.....	90, 365	CB-241411CR.*.....	284
6022-04-426.....	398, 362	65*1-16-4.....	105	6882-04-52.....	402	CB-241418CR.*.....	284
6022-04-52.....	398	65*1-16-5.....	105	6882-1008-04-52.....	90, 365, 402	CB-241607CR.*.....	284
6022-04-52-526.....	398	65*1-19-4.....	105	6882-31.**-570.....	90, 365	CB-241611CR.*.....	284
6065-16.**-52.....	193	65*1-19-5.....	105	6882-33.**-570.....	90, 365	CB-241618CR.*.....	284
6065-18.**-52.....	193	65*1-22-4.....	105	6882-39.**-570.....	90, 365	CB-242007CR.*.....	284
6071-16.**-52.....	363	65*1-22-5.....	105	6901-24.**-4.....	364	CB-242011CR.*.....	284
6071-18.**-52.....	363	65*1-25-4.....	105	6901-28.**-4.....	364	CB-242018CR.*.....	284
6071-20.**-52.....	363	65*1-25-5.....	105	6940-04-28P-4.....	372, 399	CB-301207CR.*.....	284
6071-24.**-52.....	363	65*1-28-4.....	105	6940-04-28P-52.....	399	CB-301211CR.*.....	284
6071-28.**-52.....	363	65*1-28-5.....	105	6942-04-28-4.....	364	CB-301218CR.*.....	284
6071-32.**-52.....	363	65*1-31-4.....	105	6942-04-28-52.....	399	CB-301407CR.*.....	284

CB-301411CR*.....	284	CBLSL-181410-T-1.....	292	CHBI-241418*.....	286	CPSPD-14.....	323
CB-301418CR*.....	284	CBLSL-181417-T-1.....	292	CHBI-241618*.....	286	CPSPD-6.....	323
CB-301607CR*.....	284	CBLSL-241405-T-1.....	292	CHBI-242018*.....	286	CSR-17CR-10.....	322
CB-301611CR*.....	284	CBLSL-241410-T-1.....	292	CHBI-301418*.....	286	CSR-17ORB-10.....	322
CB-301618CR*.....	284	CBLSL-241417-T-1.....	292	CHBI-301618*.....	286	CSR-17SN-10.....	322
CBL-181207-B*.....	287	CBLSL-301405-T-1.....	292	CHDSL-8128-BZ-1.....	339	CSR-23CR-10.....	322
CBL-181207-T*.....	288	CBLSL-301410-T-1.....	292	CHDSL-8128-BZ-25.....	339	CSR-23ORB-10.....	322
CBL-181211-B*.....	287	CBLSL-301417-T-1.....	292	CHDSL-8128-SN-1.....	339	CSR-23SN-10.....	322
CBL-181211-T*.....	288	CBM-181407-P*.....	289	CHDSL-8128-SN-25.....	339	CSR-29CR-10.....	322
CBL-181218-B*.....	287	CBM-181411-P*.....	289	CHDSL-896-BZ-1.....	339	CSR-29ORB-10.....	322
CBL-181218-T*.....	288	CBM-181418-P*.....	289	CHDSL-896-BZ-25.....	339	CSR-29SN-10.....	322
CBL-181407-B*.....	287	CBM-181607-P*.....	289	CHDSL-896-SN-1.....	339	CSR-35CR-10.....	322
CBL-181407-T*.....	288	CBM-181611-P*.....	289	CHDSL-896-SN-25.....	339	CSR-35ORB-10.....	322
CBL-181411-B*.....	287	CBM-181618-P*.....	289	CHDSL-9128-BZ-1.....	339	CSR-35SN-10.....	322
CBL-181411-T*.....	288	CBM-241407-P*.....	289	CHDSL-9128-BZ-25.....	339	CSRSL-18BZ-10.....	321
CBL-181418-B*.....	287	CBM-241411-P*.....	289	CHDSL-9128-SN-1.....	339	CSRSL-18CR-10.....	321
CBL-181418-T*.....	288	CBM-241418-P*.....	289	CHDSL-9128-SN-25.....	339	CSRSL-18SC-10.....	321
CBL-181607-B*.....	287	CBM-241607-P*.....	289	CHDSL-996-BZ-1.....	339	CSRSL-18SN-10.....	321
CBL-181607-T*.....	288	CBM-241611-P*.....	289	CHDSL-996-BZ-25.....	339	CSRSL-24BZ-10.....	321
CBL-181611-B*.....	287	CBM-241618-P*.....	289	CHDSL-996-SN-1.....	339	CSRSL-24CR-10.....	321
CBL-181611-T*.....	288	CBM-301407-P*.....	289	CHDSL-996-SN-25.....	339	CSRSL-24SC-10.....	321
CBL-181618-B*.....	287	CBM-301411-P*.....	289	CIB-16CR.....	333	CSRSL-24SN-10.....	321
CBL-181618-T*.....	288	CBM-301418-P*.....	289	CJD-2414.....	342	CSRSL-30BZ-10.....	321
CBL-182007-B*.....	287	CBM-301607-P*.....	289	CJD-241N.....	342	CSRSL-30CR-10.....	321
CBL-182007-T*.....	288	CBM-301611-P*.....	289	CJD-241S.....	342	CSRSL-30SC-10.....	321
CBL-182011-B*.....	287	CBM-301618-P*.....	289	CJD-DMB-KIT.....	342, 343	CSRSL-30SN-10.....	321
CBL-182011-T*.....	288	CBMSL-181405-P-1.....	292	CK-1117.**-1.....	41, 43, 46, 53, 63	CSRSL-36BZ-10.....	321
CBL-182018-B*.....	287	CBMSL-181410-P-1.....	292	CKBSL-31-BZ-1.....	339	CSRSL-36CR-10.....	321
CBL-182018-T*.....	288	CBMSL-241405-P-1.....	292	CKBSL-31-BZ-25.....	339	CSRSL-36SC-10.....	321
CBL-241207-B*.....	287	CBMSL-241410-P-1.....	292	CKBSL-31-SN-1.....	339	CSRSL-36SN-10.....	321
CBL-241207-T*.....	288	CBMSL-301405-P-1.....	292	CKBSL-31-SN-25.....	339	CSSL-HK-BZ-1.....	339
CBL-241211-B*.....	287	CBMSL-301410-P-1.....	292	CLSZ-M1-1.....	345	CSSL-HK-BZ-100.....	339
CBL-241211-T*.....	288	CBMSL-301410-P-1.....	292	CLSZ-M3-55-1.....	345	CSSL-HK-CR-1.....	339
CBL-241218-B*.....	287	CBMSL-301410-P-1.....	292	CLSZ-M5-96-1.....	345	CSSL-HK-CR-100.....	339
CBL-241218-T*.....	288	CBMSL-301410-P-1.....	292	CLSZ-W1-1.....	345	CSSL-HK-SC-1.....	339
CBL-241407-B*.....	287	CBMSL-301410-P-1.....	292	CLSZ-W3-55-1.....	345	CSSL-HK-SC-100.....	339
CBL-241407-T*.....	288	CBMSL-301410-P-1.....	292	CLSZ-W5-96-1.....	345	CSSL-HK-SN-1.....	339
CBL-241411-B*.....	287	CBMSL-301410-P-1.....	292	CLVSL-BZ-1.....	313	CSSL-HK-SN-100.....	339
CBL-241411-T*.....	288	CBMSL-301410-P-1.....	292	CLVSL-CR-1.....	313	CSWBRS-14-BZ-1.....	298
CBL-241418-B*.....	287	CBMSL-301410-P-1.....	292	CLVSL-SN-1.....	313	CSWBRS-14-CR-1.....	298
CBL-241418-T*.....	288	CBMSL-301410-P-1.....	292	CMSL-1424-SM-1.....	325	CSWBRS-14-SC-1.....	298
CBL-241607-B*.....	287	CBMSL-301410-P-1.....	292	CMSL-1448-BZ-1.....	325	CSWBRS-14-SN-1.....	298
CBL-241607-T*.....	288	CBMSL-301410-P-1.....	292	CMSL-1448-SM-1.....	325	CSWBRS-14-SM-1.....	331
CBL-241611-B*.....	287	CBMSL-301410-P-1.....	292	CMTWSL-1448-SM-1.....	325	CSWBRS-COVER-52.....	331
CBL-241611-T*.....	288	CBMSL-301410-P-1.....	292	CO-03S-1.....	174	CSWTRSL-14-BZ-1.....	299
CBL-241618-B*.....	287	CBMSL-301410-P-1.....	292	CO-05M-1.....	174	CSWTRSL-14-CR-1.....	299
CBL-241618-T*.....	288	CBMSL-301410-P-1.....	292	CO-07L-1.....	174	CSWTRSL-14-SC-1.....	299
CBL-242007-B*.....	287	CBMSL-301410-P-1.....	292	CO-SET-1.....	174	CSWTRSL-14-SN-1.....	299
CBL-242007-T*.....	288	CBMSL-301410-P-1.....	292	CP-BAGROLL-1.....	41, 43, 53, 63	CT-1*10.....	222
CBL-242011-B*.....	287	CBMSL-301410-P-1.....	292	CP-FILTER-1.....	41, 43, 53, 63	CT-1*52.....	222
CBL-242011-T*.....	288	CBMSL-301410-P-1.....	292	CPDR-1826.....	340	CT-2*20.....	222
CBL-242018-B*.....	287	CBMSL-301410-P-1.....	292	CPDR-2635.....	340	CT-2*52.....	222
CBL-242018-T*.....	288	CBMSL-301410-P-1.....	292	CPDR-2635ORB.....	340	CT-3*20.....	222
CBL-301207-B*.....	287	CBMSL-301410-P-1.....	292	CPDR-3548.....	340	CT-3*52.....	222
CBL-301207-T*.....	288	CBMSL-301410-P-1.....	292	CPDRSL-48SC.....	341	CT-4*10.....	222
CBL-301211-B*.....	287	CBMSL-301410-P-1.....	292	CPRF-16CR-52.....	320	CT-4*52.....	222
CBL-301211-T*.....	288	CBMSL-301410-P-1.....	292	CPRF-16ORB-52.....	320	CTMB-18*.....	289
CBL-301218-B*.....	287	CBMSL-301410-P-1.....	292	CPRF-16SN-52.....	320	CTMB-24*.....	289
CBL-301218-T*.....	288	CBMSL-301410-P-1.....	292	CPUIBSL-14-SM-1.....	327	CTMB-30*.....	289
CBL-301407-B*.....	287	CBMSL-301410-P-1.....	292	CPUIBSL-COVER-52.....	327	CTOHB-16-I-1.....	295
CBL-301407-T*.....	288	CBMSL-301410-P-1.....	292	CRCSL-BZ-1.....	305	CTOHB-161319-CR-52.....	294
CBL-301411-B*.....	287	CBMSL-301410-P-1.....	292	CRCSL-CR-1.....	305	CTOHB-161319-ORB-52.....	294
CBL-301411-T*.....	288	CBMSL-301410-P-1.....	292	CRCSL-SN-1.....	305	CTOHB-161319-SN-52.....	294
CBL-301418-B*.....	287	CBMSL-301410-P-1.....	292	CROIBSL-14-SM-1.....	329	CTOHB-21-I-1.....	295
CBL-301418-T*.....	288	CBMSL-301410-P-1.....	292	CROIBSL-COVER-52.....	329	CTOHB-211319-CR-52.....	294
CBL-301607-B*.....	287	CBMSL-301410-P-1.....	292	CRSL-96-BZ-1.....	305	CTOHB-211319-ORB-52.....	294
CBL-301607-T*.....	288	CBMSL-301410-P-1.....	292	CRSL-96-CR-1.....	305	CTOHB-211319-SN-52.....	294
CBL-301611-B*.....	287	CBMSL-301410-P-1.....	292	CRSL-96-SN-1.....	305	CTOHBSL-161419-CR-1.....	293
CBL-301611-T*.....	288	CBMSL-301410-P-1.....	292	CSFRSL-14-CR-1.....	304	CTOHBSL-211419-CR-1.....	293
CBL-301618-B*.....	287	CBMSL-301410-P-1.....	292	CSOHS-18-1.....	280	CTOHBSL-FS-1.....	293, 294
CBL-301618-T*.....	288	CBMSL-301410-P-1.....	292	CSOHS-24-1.....	280	CTOHL-16-1.....	292
CBLSL-181405-T-1.....	292	CH-241419-RM-211.....	269, 336	CSOHS-30-1.....	280	CTOHL-21-1.....	292
		CH-241419-RM-217.....	269, 336				

CTOHS1-18-1.....	293	CWTR-16-1.....	308	L-CCTEXT-60-1.....	456	L-FPOC-HWB-ADP-BL-1.....	429
CTOHS1-24-1.....	293	CWTR-16-1-10.....	308	L-CCTWIRE25-1.....	457	L-FPOC-HWB-ADP-WH-1.....	429
CTOHS1-30-1.....	293	CWTR-20-1.....	308	L-CTCL-153P-WH-1.....	429, 485	L-FPOC-LINKA-120-BL-1.....	427
CTOHT-16-I-1.....	295	CWTR-20-1-10.....	308	L-DB1732-1.....	496, 502, 503	L-FPOC-LINKA-120-WH-1.....	427
CTOHT-21-I-1.....	295	DPS-PEG-4SS.....	213	L-DC-ELT15WP-CON-1.....	419, 421, 423, 425, 433, 435, 437, 451, 480	L-FPOC-LINKA-180-BL-1.....	427
CTR-12-CR.....	302	GLD-CV14-1.....	337	L-DC-ELT18-CON-1.....	419, 421, 423, 425, 433, 435, 437, 451, 478	L-FPOC-LINKA-180-WH-1.....	427
CTR-12-ORB.....	302	GLD-CV14B-1.....	337	L-DC-ELT6WP-CON-1.....	419, 421, 423, 425, 433, 435, 437, 451, 480	L-FPOC-LINKA-25-BL-1.....	427
CTR-12-SN.....	302	GLD-HK-2-**-5.....	121, 197	L-DC-EQ30-1.....	419, 421, 423, 425, 433, 435, 437, 451, 480	L-FPOC-LINKA-25-WH-1.....	427
CTR-14-CR.....	302	GLD-HK-2-ZC-5.....	121, 197	L-DC-EQ60-1.....	419, 421, 423, 425, 433, 435, 437, 451, 480	L-FPOC-LINKA-60-BL-1.....	427
CTR-14-ORB.....	302	GLD-HK-L**-7.....	121, 197	L-DC-SLELT30-1.....	419, 421, 423, 425, 433, 435, 437, 451, 479	L-FPOC-LINKA-60-WH-1.....	427
CTR-14-SN.....	302	GLD-HK-L-ZC-7.....	121, 197	L-DC-SLELT60-1.....	419, 421, 423, 425, 433, 435, 437, 451, 479	L-HWB-BL-T5-1.....	428
CTRSL-14-BZ-1.....	301	GLD-HK-S**-7.....	121, 197	L-DCE30D-CON-1.....	419, 421, 423, 425, 433, 435, 437, 451, 481	L-HWB-WH-T5-1.....	428
CTRSL-14-CR-1.....	301	GLD-HK-S-ZC-7.....	121, 197	L-DCE60D-CON-1.....	419, 421, 423, 425, 433, 435, 437, 451, 481	L-HWB-WH-T5-S-1.....	428
CTRSL-14-SC-1.....	301	GLD-P22-SSW-5.....	121, 197	L-DSL06-1LZ-1.....	429, 485	L-LED-1EB-CBL-1.....	423
CTRSL-14-SN-1.....	301	GLD-W14-BC-5.....	121, 197	L-DVCL-153P-WH-1.....	429, 485	L-LED-1EB-CNI-1.....	423
CTWSL-HK-BZ-1.....	339	GLD-W14-SC-5.....	121, 197	L-EUL-GTD-1.....	437	L-LED-1EB-CWH-1.....	423
CTWSL-HK-BZ-100.....	339	GLD-W16-BC-5.....	121, 197	L-EUL11W-806CAL-1.....	437	L-LED-1EB-WBL-1.....	423
CTWSL-HK-CR-1.....	339	GLD-W22-BC-7.....	121, 197	L-EUL11W-806WAL-1.....	437	L-LED-1EB-WNI-1.....	423
CTWSL-HK-CR-100.....	339	GLD-W22-BG-7.....	121, 197	L-EUL15W-1111CAL-1.....	437	L-LED-1EB-WWH-1.....	423
CTWSL-HK-SC-1.....	339	GLD-W22-SC-7.....	121, 197	L-EUL15W-1111WAL-1.....	437	L-LED-AGLPR-1016CAL-1.....	439
CTWSL-HK-SC-100.....	339	HPB-03323-52.....	263, 264, 266, 334	L-EUL3W-197CAL-1.....	437	L-LED-AGLPR-1016WAL-1.....	439
CTWSL-HK-SN-1.....	339	HPRV-1520 S.....	266	L-EUL3W-197WAL-1.....	437	L-LED-AGLPR-250CAL-1.....	439
CTWSL-HK-SN-100.....	339	HPRV-1925 S.....	335	L-EUL4W-273CAL-1.....	437	L-LED-AGLPR-250WAL-1.....	439
CV-RING-1.....	343	HPRV-1925DM S.....	335	L-EUL4W-273WAL-1.....	437	L-LED-AGLPR-406CAL-1.....	439
CVJD-1814UM-1.....	343	HRV-1215 S.....	267	L-EUL7W-502CAL-1.....	437	L-LED-AGLPR-406WAL-1.....	439
CVJD-2414UM-1.....	343	HRV-1220 S.....	267	L-EUL7W-502WAL-1.....	437	L-LED-AGLPR-559WAL-1.....	439
CVJD-3014UM-1.....	343	HRV-1515 S.....	267	L-EULNK-120-WH-1.....	437	L-LED-AGLPR-711CAL-1.....	439
CVL-12-CR.....	314	HRV-1520 S.....	267	L-EULNK-15-WH-1.....	437	L-LED-AGLPR-711WAL-1.....	439
CVL-12-ORB.....	314	HRV-1520 S CR.....	267	L-EULNK-180-WH-1.....	437	L-LED-AGLPR-864WAL-1.....	439
CVL-12-SN.....	314	HRV-1520 LINER.....	267	L-EULNK-25-WH-1.....	437	L-LED-DIMCON-BL-1.....	498
CVLPOSL-12-CR-1.....	312	HUB-470X8.....	125, 270	L-EULNK-60-WH-1.....	437	L-LED-DIMCON-WH-1.....	498
CVLPOSL-14-BZ-1.....	312	HURV-1512 S.....	125, 270	L-EXTBTB10-1.....	469	L-LED-DIMRMT-12V8A-1.....	495
CVLPOSL-14-CR-1.....	312	IDRB-1.....	149, 179	L-EXTMP-VHB-1.....	469	L-LED-DIMRMT-12V8A-U-1*.....	495
CVLPOSL-14-SC-1.....	312	IRH-SM-1.....	281	L-FLXCOB12-27RV-1.....	451	L-LED-FLXTPE-BRHO-1.....	444
CVLPOSL-14-SN-1.....	312	JPE 301-12-020-1.....	402	L-FLXCOB12-30RV-1.....	451	L-LED-FLXTPE-BROLL-1.....	444
CVLSL-14-BZ-1.....	312	JPE 301-34-0**-1.....	402	L-FLXCOB12-35RV-1.....	451	L-LED-FLXTPE-CRHO-1.....	444
CVLSL-14-CR-1.....	312	JPE 301-58-0**-1.....	402	L-FLXCOB12-48RV-1.....	451	L-LED-FLXTPE-CROLL-1.....	444
CVLSL-14-SC-1.....	312	L-12DCH60X1-1.....	419, 421, 423, 425, 433, 435, 437, 451	L-FLXCOB12-65RV-1.....	451	L-LED-FLXTPE-DRHO-1.....	444
CVLSL-14-SN-1.....	312	L-12DCH60X1-1*.....	482	L-FLXCOB24-27RU-1.....	453	L-LED-FLXTPE-DROLL-1.....	444
CVR-12-CR.....	315	L-12DCH60X3-1.....	419, 421, 423, 425, 433, 435, 437, 451	L-FLXCOB24-30RU-1.....	453	L-LED-FLXTPE-NRHO-1.....	444
CVR-12-ORB.....	315	L-12DCH60X3-1*.....	482	L-FLXCOB24-35RU-1.....	453	L-LED-FLXTPE-NROLL-1.....	444
CVR-12-SN.....	315	L-16CL2-WH50-1.....	500, 503	L-FLXCOB24-48RU-1.....	453	L-LED-FLXTPE-RRHO-1.....	444
CVR-14-CR.....	315	L-1BRL5-1.....	453, 477, 483, 484	L-FLXCOB24-65RU-1.....	453	L-LED-FLXTPE-RROLL-1.....	444
CVR-14-ORB.....	315	L-24B2SPKT-2M-1.....	453, 469	L-FLXTPE-12CCT-1.....	456	L-LED-FLXTPE-WRHO-1.....	444
CVR-14-SN.....	315	L-24B2SPKT-2M-TEE-1.....	453	L-FLXTPE-12RGB-1.....	461	L-LED-FLXTPE-WROLL-1.....	444
CVRI-7-CR.....	314	L-24BBEXT-1M-1.....	453, 477, 501	L-FLXTPE-24CCT-1.....	456	L-LED-LINKD-120-1.....	439, 501
CVRI-7-ORB.....	314	L-24BBEXT-2M-1.....	453, 477, 501	L-FLXTPE-24RGB-1.....	461	L-LED-LINKD-15-1.....	439, 501
CVRI-7-SN.....	314	L-24BBEXT-3M-1.....	453, 477, 501	L-FLXTPE-27EER-1.....	449	L-LED-LINKD-180-1.....	439, 501
CVRI-DG.....	314	L-24DCELT15WP-1.....	453, 477, 483	L-FLXTPE-27RU-1.....	444	L-LED-LINKD-245-1.....	439, 501
CVRSL-14-BZ-1.....	313	L-24DCELT48-BL-1.....	453, 477, 483	L-FLXTPE-30RH-1.....	444	L-LED-LINKD-25-1.....	439, 501
CVRSL-14-CR-1.....	313	L-24DCELT96-1.....	453, 477, 483	L-FLXTPE-30RS-1.....	444	L-LED-LINKD-60-1.....	439, 501
CVRSL-14-SC-1.....	313	L-24DCH96X1-1.....	453, 477	L-FLXTPE-30RU-1.....	444	L-LED-LINKD-8-1.....	439, 501
CVRSL-14-SN-1.....	313	L-24DCH96X1-1*.....	484	L-FLXTPE-30RV-1.....	444	L-LED-OVLDS**-1.....	496
CWPR-2414-1.....	317	L-24DCH96X3-1.....	453, 477	L-FLXTPE-35EER-1.....	449	L-LED-OVLMS**-1.....	496
CWPR-3014-1.....	317	L-24DCH96X3-1*.....	484	L-FLXTPE-35RU-1.....	444	L-LED-OVLTD**-1.....	496
CWPTR-3014-1.....	317	L-24VDC3INADP-BL-1.....	495, 498, 499	L-FLXTPE-35RU-1.....	444	L-LED-SMPLNK-120-1.....	435
CWSBR-14-1.....	310	L-24VDC3INADP-WH-1.....	495, 498, 499	L-FLXTPE-48EER-1.....	449	L-LED-SMPLNK-15-1.....	435
CWSBR-20-1.....	310	L-24XPKT-2M-BL-1.....	469	L-FLXTPE-48RU-1.....	444	L-LED-SMPLNK-180-1.....	435
CWSTR-14-1.....	311	L-24XPKT-2M-WH-1.....	469	L-FLXTPE-48RU-1.....	444	L-LED-SMPLNK-25-1.....	435
CWSTR-14-1-10.....	311	L-4P60-1.....	457, 460, 462	L-FLXTPE-65EER-1.....	449	L-LED-SMPLNK-5-1.....	435
CWSTR-20-1.....	311	L-ACR6M-1X1-1.....	473	L-FLXTPE-65RU-1.....	444	L-LED-SMPLNK-60-1.....	435
CWSTR-20-1-10.....	311	L-ACR6M-2X2-1.....	473	L-FLXTPE-65RU-1.....	444	L-LED-SMPMOT-1.....	435
CWTBR-14B-1.....	309	L-ACR6M-4X4-1.....	473	L-FLXTPE-65RU-1.....	444	L-LED-SMPTD4-1.....	435
CWTR-2414-1.....	317	L-ACR6M-4X8-1.....	473	L-FLXTPE-65RU-1.....	444	L-LED-SQPR-1016CAL-1.....	439
CWTR-14-1.....	308	L-ACR8M-1X1-1.....	473	L-FLXTPE-65RU-1.....	444	L-LED-SQPR-1016WAL-1.....	439
CWTR-14-1-10.....	308	L-ACR8M-2X2-1.....	473	L-FLXTPE-65RU-1.....	444	L-LED-SQPR-250CAL-1.....	439
CWTR-14B-1.....	308	L-ACR8M-4X4-1.....	473	L-FLXTPE-CRV-1.....	444	L-LED-SQPR-250WAL-1.....	439
CWTR-14B-1-10.....	308	L-ACR8M-4X8-1.....	473	L-FLXTPE-DRV-1.....	444	L-LED-SQPR-406WAL-1.....	439
CWTR-14W-1.....	308	L-BS4PBL-1.....	457, 460, 462	L-FLXTPE-NRV-1.....	444	L-LED-SQPR-559CAL-1.....	439
CWTR-14W-1-10.....	308	L-CCTEXT-120-1.....	456	L-FLXTPE-WRV-1.....	444	L-LED-SQPR-559WAL-1.....	439
						L-LED-SQPR-711WAL-1.....	439

L-LED-SQPR-864CAL-1.....	439	L-RGBCCT1-CREC-1.....	492	L-TPELNK25-CCT-1.....	457	L-XSQR-UCLP-1.....	469
L-LED-SQPR-864WAL-1.....	439	L-RGBCCT1-CREC-1*.....	456, 461	L-TPELNK25-RGB-1.....	460, 462	L-XSQR72-**-1.....	468
L-LED-STKLNK-120-1.....	433	L-RGBCCT1-PREC-1.....	456, 461, 492	L-TPELNK5-CCT-1.....	457	L-XSQR72-SC-1.....	468
L-LED-STKLNK-15-1.....	433	L-RGBEXT-120-1.....	461	L-TPELNK5-RGB-1.....	460, 462	L-XSQRBOYY-XX-1.....	497
L-LED-STKLNK-180-1.....	433	L-RGBEXT-60-1.....	461	L-TPELNK60-CCT-1.....	457	L-XSQRDIMA-XX-1.....	497
L-LED-STKLNK-25-1.....	433	L-RGBWIRE25-1.....	460, 462	L-TPELNK60-RGB-1.....	460, 462	L-XSQRECP-**-1.....	468
L-LED-STKLNK-5-1.....	433	L-SMPHO12-CNI-1.....	435	L-TPEPKT-2IN-1.....	445, 469	L-XSQRECP-GY-1.....	468
L-LED-STKLNK-60-1.....	433	L-SMPHO12-WNI-1.....	435	L-TPEPKT-2IN-CCT-1.....	456	L-XSQRSWCPL-1.....	469
L-LED-TPELNK-120-1.....	445	L-SMPHO22-CNI-1.....	435	L-TPEPKT-2IN-RGB-1.....	461	LD-0220-45-40.....	106
L-LED-TPELNK-15-1.....	445	L-SMPHO22-WNI-1.....	435	L-TPEPKT-2M-CCT-1.....	456	LD-0220-50SC-40.....	106
L-LED-TPELNK-180-1.....	445	L-SMPHO8-CNI-1.....	435	L-TPEPKT-2M-RGB-1.....	461	LD-0220-50SCFO-40.....	106
L-LED-TPELNK-25-1.....	445	L-SMPHO8-WNI-1.....	435	L-TRANS-MNT-BL-1.....	478, 479, 480, 481, 482, 503	LD-20-04-5.....	352
L-LED-TPELNK-5-1.....	445	L-SMR-2LED-BL-1.....	425	L-VHBTPPE-1134-1.....	501, 503	LD-20-0431-5.....	352, 353, 401
L-LED-TPELNK-60-1.....	445	L-SMR-2LED-NI-1.....	425	L-WCLP-WH-1.....	503	LD-20-0436-5.....	352
L-LED-TPELNK-CON90-1.....	445	L-SP15WA-30K-1.....	477	L-WLD-1REC-1.....	486, 487, 488, 489	LD-2001-18-**-10.....	352
L-LED-TPELNK-TEE-1.....	445	L-SP15WA-40K-1.....	477	L-WLD-1RND-BL-1.....	488	LD-2001-24-**-10.....	352
L-LED-TPEPKT-2M-1.....	445, 469	L-SP15WA-50K-1.....	477	L-WLD-1RND-NI-1.....	488	LD-2001-28-**-10.....	352
L-LED-TPEPKT-2M-TEE-1.....	445	L-SP15WA-65K-1.....	477	L-WLD-1WAL-**-1.....	487	LD-2001-32-**-10.....	352
L-LED-WCON-BL-1.....	500, 503	L-SP3TCS-1.....	477	L-WLD-2WAL-**-1.....	487	LD-2061-18BM-**-1.....	352
L-LED-WCON-WH-1.....	500, 503	L-SP6TCS-1.....	477	L-WLD-3RMT-BL-1.....	489	LD-2061-24BM-**-1.....	352
L-MALE-AMP-10-1.....	503, 501	L-SP8WA-30K-1.....	477	L-WLD-CCT-WH-1.....	456, 461, 493	LD-2061-28BM-**-1.....	352
L-MFSCRWDR-1.....	502, 503	L-SP8WA-40K-1.....	477	L-WLD-RGB-WH-1.....	456, 461, 493	LD-2062-18-**-1.....	352
L-MPOC-4W-120L-CBL-1.....	427	L-SP8WA-50K-1.....	477	L-WLDS-BL-1.....	491	LD-2062-18BM-**-1.....	352
L-MPOC-4W-120L-CNI-1.....	427	L-SP8WA-65K-1.....	477	L-WLDS-NI-1.....	491	LD-2062-24-**-1.....	352
L-MPOC-4W-120L-CWH-1.....	427	L-SP90BTB4-1.....	477	L-WLDSREC-1.....	490	LD-2062-24BM-**-1.....	352
L-MPOC-4W-120L-WBL-1.....	427	L-SPBTB10-1.....	477	L-WM5-BL-1.....	500	LD-2062-28-**-1.....	352
L-MPOC-4W-120L-WNI-1.....	427	L-SPLNK120-1.....	477	L-WM5-BR-1.....	500	LD-2062-28BM-**-1.....	352
L-MPOC-4W-120L-WWH-1.....	427	L-SPLNK25-1.....	477	L-WM5-WH-1.....	500	LD-2062-32-**-1.....	352
L-MPOC-4W-120NL-CBL-1.....	427	L-SPLNK60-1.....	477	L-X**-DIFF-CL-1.....	468	LD-2062-32BM-**-1.....	352
L-MPOC-4W-120NL-CNI-1.....	427	L-SPLNK8-1.....	477	L-X**-DIFF-FR-1.....	468	LD-2063-1836-**-1.....	352
L-MPOC-4W-120NL-CWH-1.....	427	L-SPPKT-1M-1.....	477	L-X**-DIFF-MLK-1.....	468	LD-20BM1-04-10.....	352
L-MPOC-4W-120NL-WBL-1.....	427	L-SPPKT-305MM-1.....	477	L-XANG72-**-1.....	468	LD-20BM2-04-5.....	352
L-MPOC-4W-120NL-WNI-1.....	427	L-SPPKT-3M-1.....	477	L-XANG72-SC-1.....	468	LD-22-04-5.....	353
L-MPOC-4W-120NL-WWH-1.....	427	L-STKHO12-CNI-1.....	433	L-XANGCBOYY-XX-1.....	497	LD-2201-32-**-10.....	353
L-MPOC-PKT8-BL-1.....	427	L-STKHO12-WNI-1.....	433	L-XANGDIMA-XX-1.....	497	LD-2261-32BM-**-1.....	353
L-MPOC-PKT8-WH-1.....	427	L-STKHO22-CNI-1.....	433	L-XANGGECP-**-1.....	468	LD-2262-32-**-1.....	353
L-P1SCRWDR-1.....	502, 503	L-STKHO22-WNI-1.....	433	L-XANGGECP-GY-1.....	468	LD-2262-32BM-**-1.....	353
L-PINEXT-1.....	501, 503	L-STKHO34-CNI-1.....	433	L-XCRV72-**-1.....	468	LD-22BM1-04-10.....	353
L-POC-3EQFR-CBL-1.....	425	L-STKHO34-WNI-1.....	433	L-XCRV72-SC-1.....	468	LD-22BM2-04-5.....	353
L-POC-3EQFR-CNI-1.....	425	L-STKHO8-CNI-1.....	433	L-XCRVCBOYY-XX-1.....	497	LD-24-04-5.....	353, 401
L-POC-3EQFR-WBL-1.....	425	L-STKHO8-WNI-1.....	433	L-XCRVDIMA-XX-1.....	497	LD-24-0436-5.....	353, 401
L-POC-3EQFR-WNI-1.....	425	L-TOOLKIT-1.....	503	L-XCRVECP-**-1.....	468	LD-2401-18-**-10.....	353
L-POC-3LEDSFR-CAB-1.....	419	L-TPE-BTB-CCT-1.....	456	L-XCRVECP-GY-1.....	468	LD-2401-24-**-10.....	353
L-POC-3LEDSFR-CBL-1.....	419	L-TPE-BTB-RGB-1.....	460, 462	L-XFL72-SC-1.....	468	LD-2401-28-**-10.....	353
L-POC-3LEDSFR-CCH-1.....	419	L-TPE6-12IN-**-K-1.....	473	L-XFL94-SC-1.....	468	LD-2401-32-**-10.....	353
L-POC-3LEDSFR-CNI-1.....	419	L-TPE6-24IN-**-K-1.....	473	L-XLNK-120-**-1.....	469	LD-2472-18-**-1.....	353
L-POC-3LEDSFR-CWH-1.....	419	L-TPE6-48IN-**-K-1.....	473	L-XLNK-15-**-1.....	469	LD-2472-18BM-**-1.....	353
L-POC-3LEDSFR-CWB-1.....	419	L-TPE6-96IN-**-K-1.....	473	L-XLNK-180-**-1.....	469	LD-2472-24-**-1.....	353
L-POC-3LEDSFR-NBL-1.....	419	L-TPELED-24RGB-1.....	461	L-XLNK-25-**-1.....	469	LD-2472-24BM-**-1.....	353
L-POC-3LEDSFR-NNI-1.....	419	L-TPELED-27HER-1.....	449	L-XLNK-60-**-1.....	469	LD-2472-28-**-1.....	353
L-POC-3LEDSFR-WAB-1.....	419	L-TPELED-27SER-1.....	449	L-XPKT-2IN-BL-1.....	469	LD-2472-28BM-**-1.....	353
L-POC-3LEDSFR-WBL-1.....	419	L-TPELED-30HER-1.....	449	L-XPKT-2IN-WH-1.....	469	LD-2472-32-**-1.....	353
L-POC-3LEDSFR-WCH-1.....	419	L-TPELED-30SER-1.....	449	L-XPKT-2M-BL-1.....	469	LD-2472-32BM-**-1.....	353
L-POC-3LEDSFR-WNI-1.....	419	L-TPELED-35HER-1.....	449	L-XPKT-2M-WH-1.....	469	LD-2473-1836-**-1.....	353
L-POC-3LEDSFR-WORB-1.....	419	L-TPELED-35SER-1.....	449	L-XREC72-BL-1.....	468	LD-24BM1-04-10.....	353, 401
L-POC-3LEDSFR-WWH-1.....	419	L-TPELED-48HER-1.....	449	L-XREC72-SC-1.....	468	LD-24BM2-04-5.....	353, 401
L-POC-5LEDSCL-CBL-1.....	421	L-TPELED-48SER-1.....	449	L-XREC94-SC-1.....	468	LD-29-04-18-5.....	352
L-POC-5LEDSCL-CNI-1.....	421	L-TPELED-65HER-1.....	449	L-XRECCBOYY-XX-1.....	497	LD-29-04-5.....	352
L-POC-5LEDSCL-CWH-1.....	421	L-TPELED-65SER-1.....	449	L-XRECDIMA-XX-1.....	497	LD-2901-18-**-10.....	352
L-POC-5LEDSCL-WBL-1.....	421	L-TPELED2-27VER-1.....	449	L-XRECECP-BL-1.....	468	LD-2901-24-**-10.....	352
L-POC-5LEDSCL-WNI-1.....	421	L-TPELED2-30VER-1.....	449	L-XRECECP-GY-1.....	468	LD-2901-28-**-10.....	352
L-POC-5LEDSCL-WORB-1.....	421	L-TPELED2-35VER-1.....	449	L-XRM42-155-1.....	469	LD-2942-18-**-1.....	352
L-POC-5LEDSCL-WWH-1.....	421	L-TPELED2-48VER-1.....	449	L-XRND-UCLP-1.....	469	LD-2942-24-**-1.....	352
L-RDSW-1M-120-BL-1.....	428	L-TPELED2-65VER-1.....	449	L-XRND72-BL-1.....	468	LD-2942-28-**-1.....	352
L-RDSW-1M-120-WH-1.....	428	L-TPELNK-BTB-1.....	445	L-XRND72-SC-1.....	468	LD-4BW-001-18SB-1.....	372
L-RDSW-1M-BL-1.....	499	L-TPELNK120-CCT-1.....	457	L-XRND72-SC-1.....	468	LD-4BW-001-18SB-8.....	372
L-RDSW-1M-WH-1.....	499	L-TPELNK120-RGB-1.....	460, 462	L-XRNDDCBOYY-XX-1.....	497	LD-4BW-001-20SB-1.....	372
L-RDSW-2M-120-BL-1.....	428	L-TPELNK15-CCT-1.....	457	L-XRNDDCBOYY-XX-1.....	497	LD-4BW-001-20SB-8.....	372
L-RDSW-2M-120-WH-1.....	428	L-TPELNK15-RGB-1.....	460, 462	L-XRNDDECP-BL-1.....	468	LD-4BW-001-24SB-1.....	372
L-RDSW-2M-BL-1.....	499	L-TPELNK180-CCT-1.....	457	L-XRNDDECP-GY-1.....	468	LD-4BW-001-24SB-8.....	372
L-RDSW-2M-WH-1.....	499	L-TPELNK180-RGB-1.....	460, 462	L-XSQT-1.....	451		
L-RGBCCT-RMT-1.....	456, 461, 494						

LD-4BW-001-28SB-1.....	372	LD-4NW-073-1836-1.....	386	RAS 305-12-0**.....	402	RV-8-1719-1.....	46
LD-4BW-001-28SB-8.....	372	LD-4NW-201-20BS-1.....	387	RAS 305-34-0**.....	402	RV-9PB.....	43
LD-4BW-001-32SB-1.....	372	LD-4NW-201-20BS-8.....	387	RAS 305-58-0**.....	402	RV-9PB S.....	43
LD-4BW-001-32SB-8.....	372	LD-4NW-201-20TBS-1.....	387	RAS-CIB-COVER-R-52.....	333	RV-DM-FDKIT.....	227
LD-4BW-004-10.....	372, 401	LD-4NW-201-20TBS-6.....	387	RAS-FD-KIT.....	227	SBDT-2730-A-1.....	97
LD-4BW-004-4.....	372, 401	LD-4NW-201-28BS-1.....	387	RAS-FDSM-DM15-1.....	226	SBDT-2730-A-12.....	97
LD-4BW-00436-4.....	372, 401	LD-4NW-201-28BS-8.....	387	RAS-LGFD-52.....	227	SBDT-2730-OG-1.....	97
LD-4BW-004BM1-8.....	372, 401	LD-4NW-201-32BS-1.....	387	RAS-ML-HDCR.....	171	SBDT-2730-S-1.....	97
LD-4BW-004BM2-4.....	372, 401	LD-4NW-201-32BS-8.....	387	RAS-ML-HDSC.....	171	SBDT-2730-S-12.....	97
LD-4BW-041-18-8.....	372	LD-4NW-201-32TBS-1.....	387	RAS-ML-HDSCOG.....	171	SBDT-3336-A-1.....	97
LD-4BW-041-20-8.....	372	LD-4NW-201-32TBS-6.....	387	RAS-SMFD-52.....	227	SBDT-3336-A-12.....	97
LD-4BW-041-24-8.....	372	LD-4NW-241-20-8.....	387	RAS-VIB-COVER-52.....	257, 333	SBDT-3336-OG-1.....	97
LD-4BW-041-28-8.....	372	LD-4NW-241-20T-6.....	387	RL-201-1.....	98	SBDT-3336-S-1.....	97
LD-4BW-041-32-8.....	372	LD-4NW-241-28-8.....	387	RL-202-1.....	98	SBDT-3336-S-12.....	97
LD-4BW-062-18-1.....	372	LD-4NW-241-32-8.....	387	RUKD-1420RB-1.....	39	SBDT-3942-A-1.....	97
LD-4BW-062-20-1.....	372	LD-4NW-241-32T-6.....	387	RUKD-1432RB-1.....	39	SBDT-3942-A-12.....	97
LD-4BW-062-24-1.....	372	LD-4NW-272-20-1.....	387	RUKD-820-1.....	39	SBDT-3942-OG-1.....	97
LD-4BW-062-28-1.....	372	LD-4NW-272-28-1.....	387	RUKD-932-1.....	39	SBDT-3942-S-1.....	97
LD-4BW-062-32-1.....	372	LD-4NW-272-32-1.....	387	RV DM KIT.....	41, 43, 47, 125, 266, 267, 270	SBDT-3942-S-12.....	97
LD-4BW-063-1836-1.....	372	LD-4NW-401-28BS-1.....	388	RV DM17 KIT.....	39, 41, 44, 47, 266, 267, 270, 275	SBVDT-2124-A-1.....	277
LD-4BW-063-2036-1.....	372	LD-4NW-401-28BS-8.....	388	RV-1024-13-10.....	46	SBVDT-2124-A-12.....	277
LD-4BW-201-20SBS-1.....	373	LD-4NW-401-28TBS-1.....	388	RV-1024-17-10.....	46	SBVDT-2124-S-1.....	277
LD-4BW-201-20SBS-8.....	373	LD-4NW-401-28TBS-6.....	388	RV-1024-18-10.....	46	SBVDT-2124-S-12.....	277
LD-4BW-201-28SBS-1.....	373	LD-4NW-401-32BS-1.....	388	RV-1024W.....	46	SBVDT-2730-A-12.....	277
LD-4BW-201-28SBS-8.....	373	LD-4NW-401-32BS-8.....	388	RV-1216-CK**.....	41, 43	SBVDT-2730-S-1.....	277
LD-4BW-201-32SBS-1.....	373	LD-4NW-401-32TBS-1.....	388	RV-12KD-17C S.....	44	SBVDT-2730-S-12.....	277
LD-4BW-201-32SBS-8.....	373	LD-4NW-401-32TBS-6.....	388	RV-12KD-18C S.....	44	SBVDT-3336-A-1.....	277
LD-4BW-204-4.....	373, 401	LD-4NW-404-36-4.....	387, 388	RV-12KD-CK**S.....	41, 44	SBVDT-3336-A-12.....	277
LD-4BW-20436-4.....	373, 401	LD-4NW-404-4.....	387, 388	RV-12PB.....	43	SBVDT-3336-S-1.....	277
LD-4BW-204BM1-8.....	373, 401	LD-4NW-404T-3.....	387, 388	RV-12PB S.....	43	SHR-3684.....	346
LD-4BW-204BM2-4.....	373, 401	LD-4NW-441-18-8.....	388	RV-12PB-50.....	43	ST-97-**4.....	101, 237
LD-4BW-241-20-8.....	373	LD-4NW-441-28-8.....	388	RV-12PB-50 S.....	43	ST50-21*-12.....	224
LD-4BW-241-28-8.....	373	LD-4NW-441-28T-6.....	388	RV-12PB-L.....	43	ST50-21*-52.....	224
LD-4BW-241-32-8.....	373	LD-4NW-441-32-8.....	388	RV-12PB-LE.....	43	TBC-14TCR.....	306
LD-4BW-262-20-1.....	373	LD-4NW-441-32T-6.....	388	RV-15KD-17C S.....	44	TRC-12CR.....	307
LD-4BW-262-28-1.....	373	LD-4NW-472-18-1.....	388	RV-15KD-18C S.....	44	TRC-12NS-CR.....	306
LD-4BW-262-32-1.....	373	LD-4NW-472-28-1.....	388	RV-15PB-2 S.....	43	TRC-12NS-ORB.....	306
LD-4BW-263-2036-1.....	373	LD-4NW-882-32-1.....	89, 386	RV-18KD-17C S.....	44	TRC-12NS-SN.....	306
LD-4BW-401-28SBS-1.....	373	LD-4NW-882-35-1.....	89, 386	RV-18KD-18C S.....	44	TRC-14CR.....	307
LD-4BW-401-28SBS-8.....	374	LD-4NW-882-38-1.....	89, 386	RV-18PB-1.....	43	TRC-14ORB.....	307
LD-4BW-401-32SBS-1.....	373	LD-4NW-901-28-8.....	386	RV-18PB-2 S.....	43	TRC-14SN.....	307
LD-4BW-401-32SBS-8.....	374	LD-4NW-942-28-1.....	386	RV-20-14-6.....	46	TRCPOSL-14-BZ-1.....	297
LD-4BW-404-4.....	401	LD-4WLS940-04-28-4.....	386	RV-20-6.....	46	TRCPOSL-14-CR-1.....	297
LD-4BW-441-24-8.....	374	LD-597-12CR-1.....	122	RV-32-11-8.....	46	TRCPOSL-14-SN-1.....	297
LD-4BW-441-28-8.....	374	LD-597-12CR-10.....	122	RV-32-14-1.....	46	TRCSL-14NS-CR-1.....	304
LD-4BW-441-32-8.....	374	LD-597-18CR-1.....	122	RV-32-14-8.....	46	TWCSC-1550DM-1.....	50
LD-4BW-472-24-1.....	373	LD-597-18CR-10.....	122	RV-35-12-8.....	46	TWCSC-15DM-1.....	50
LD-4BW-472-28-1.....	373	LD-6591-22.**-1.....	100	RV-35-13-8.....	46	TWCSC-1850DM-2.....	50
LD-4BW-472-32-1.....	373	LD-6591-22.**-10.....	100	RV-35-15-52.....	46	TWCSC-18DM-2.....	50
LD-4BW-941-28-8.....	372	LD-6591-24.**-1.....	100	RV-35-17-8.....	46	TWCSC-2150DM-2.....	50
LD-4BW-942-28-1.....	372	LD-6591-24.**-10.....	100	RV-35-18-8.....	46	TWCSC-21DM-2.....	50
LD-4CT15-1.....	220	LD-6591-30.**-1.....	100	RV-35-8.....	46	TWCSD-1550DM-1.....	50
LD-4CT21-1.....	220	LD-6591-30.**-10.....	100	RV-35-LID-1.....	45	TWCSD-15DM-1.....	50
LD-4NW-001-18B-1.....	386	ML-MPHDSCCR-18.....	171	RV-35-LID-12-1.....	45	TWCSD-1850DM-2.....	50
LD-4NW-001-18B-8.....	386	ML-WNHDS COG-18FL.....	171	RV-35-LID-13-1.....	45	TWCSD-18DM-2.....	50
LD-4NW-001-24B-1.....	386	NLSL-KM-28S-7.....	393	RV-35-LID-17-1.....	45	TWCSD-2150DM-2.....	50
LD-4NW-001-24B-8.....	386	NLSL-KM-32S-7.....	393	RV-35-LID-18-1.....	45	UT-10*-10.....	223
LD-4NW-001-28B-1.....	386	PSC-1814CR.....	319	RV-35-LID-G-1.....	45	UT-10*-52.....	223
LD-4NW-001-28B-8.....	386	PSC-2414CR.....	319	RV-50-12-8.....	46	UT-12*-20.....	223
LD-4NW-001-32B-1.....	386	PSC-3014CR.....	319	RV-50-13-8.....	46	UT-12*-52.....	223
LD-4NW-001-32B-8.....	386	PSCSL-1814SC-BZ-1.....	318	RV-50-17-8.....	46	UT-15*-20.....	223
LD-4NW-004-4.....	386	PSCSL-1814SC-SC-1.....	318	RV-50-8.....	46	UT-15*-52.....	223
LD-4NW-041-18-8.....	386	PSCSL-1814SC-SN-1.....	318	RV-50-LID-1.....	45	UT-18*-10.....	223
LD-4NW-041-24-8.....	386	PSCSL-2414SC-SC-1.....	318	RV-50-LID-12-1.....	45	UT-18*-52.....	223
LD-4NW-041-28-8.....	386	PSCSL-2414SC-SN-1.....	318	RV-50-LID-13-1.....	45	VIB-20CR.....	257, 333
LD-4NW-041-32-8.....	386	PSCSL-3014SC-BZ-1.....	318	RV-50-LID-17-1.....	45		
LD-4NW-0436-1.....	386	PSCSL-3014SC-SC-1.....	318	RV-50-LID-18-1.....	45		
LD-4NW-072-18-1.....	386	PSCSL-3014SC-SN-1.....	318	RV-50-LID-G-1.....	45		
LD-4NW-072-24-1.....	386	RAL-101-1.....	98	RV-8-1711-1.....	46		
LD-4NW-072-28-1.....	386						
LD-4NW-072-32-1.....	386						



KITCHEN DEALER PROGRAM

Rev-A-Shelf's Kitchen Dealer Program is the perfect solution for cabinet shops and designers. Our program binder is designed to help you add value with Rev-A-Shelf® products to all of your kitchen projects. Members are sent quarterly updates on the latest innovations from Rev-A-Shelf®. Ask your authorized distributor to sign you up today!



DISPLAY PROGRAM

Our complete line of cabinet storage organizing accessories boast distinct advantages in strength, design, ease of installation and aesthetics that can only be sold effectively through working displays. Many of our customers experience great results by installing products in kitchen dealer, custom shops and home center kitchen and bath displays. We also have floor displays and salesman samples available that can further serve as effective tools.

Our Program: A 50% discount is available to you, the distributor, for each display product unit placed in a showroom or display unit placed in a showroom or display fixture. Verification of installment to claim the rebate should be handled through your Rev-A-Shelf® representative on a monthly basis. Proper documentation with contact info must be provided for each discounted product.

⚠️ PROP 65 FOR CALIFORNIA RESIDENTS

The safety of our customers and employees is of highest priority for Rev-A-Shelf. We want to assure you of our 30 + year commitment to offering among the highest quality and safest products in the industry. Rev-A-Shelf® has always abided by state and federal regulations. California voters approved Proposition 65 in 1986, creating the Safe Drinking Water and Toxic Enforcement Act. Despite differing opinions about recent California label requirements with this California law, Rev-A-Shelf® must honor these compliance regulations.

Most importantly, we promise to also honor the trust you have placed in us with your purchase or possible purchase of our products. We will honor your trust by offering organizational products of enduring quality, lasting beauty and uncompromising safety to you and your family.

DISCLAIMER

Rev-A-Shelf makes every effort to verify and ensure that our product specifications are correct and up to date. We reserve the right to make engineering changes that affect any critical product dimension without notice. Rev-A-Shelf® shall not be held liable for any cost related to such a change, misprint, instruction, or product template error.

WARRANTY

REV-A-SHELF® COMPANY, LLC ("REV-A-SHELF®") WARRANTS ITS PRODUCTS (INCLUDING BUT NOT LIMITED TO THOSE WITH THE REV-A-SHELF® AND TRESKO LIGHTING® BRANDS) (HEREIN, "PRODUCTS") TO BE FREE FROM DEFECTS IN MATERIAL AND WORKMANSHIP FOR A LIMITED PERIOD OF TIME FROM THE DATE OF ORIGINAL PURCHASE AS SPECIFIED IN THE REV-A-SHELF COMPANY, LLC LIMITED WARRANTY DURATION CHART ("DURATION CHART") AT www.rev-a-shelf.com/our-warranty. YOU MAY ALSO CONTACT REV-A-SHELF® AT 1.800.626.1126 FOR A COPY OF THE DURATION CHART. THIS WARRANTY IS LIMITED TO THE ORIGINAL END USER OF THE PRODUCTS.

BECAUSE REV-A-SHELF® CANNOT CONTROL THE QUALITY OF PRODUCTS SOLD BY UNAUTHORIZED SELLERS, THIS LIMITED WARRANTY APPLIES ONLY TO PRODUCTS THAT WERE PURCHASED FROM REV-A-SHELF OR A REV-A-SHELF® AUTHORIZED SELLER, UNLESS OTHERWISE PROHIBITED BY LAW. REV-A-SHELF® RESERVES THE RIGHT TO REJECT WARRANTY CLAIMS FOR PRODUCTS PURCHASED FROM UNAUTHORIZED SELLERS, INCLUDING UNAUTHORIZED INTERNET SITES.

THIS LIMITED WARRANTY ALSO DOES NOT COVER ANY DEFECTS DUE TO NORMAL WEAR AND TEAR, DAMAGE DUE TO MISUSE, ALTERATION TO THE PRODUCT, NEGLIGENCE, OR FOR ANY FAILURE OF THE PRODUCTS THAT RESULTS FROM EXTERNAL CAUSES SUCH AS: ACTS OF NATURE; PHYSICAL DAMAGE; EXPOSURE TO ADVERSE OR HAZARDOUS CHEMICAL OR OTHER SUBSTANCES, USE OF REACTIVE CLEANING AGENTS AND/OR HARSH CHEMICALS TO CLEAN THE PRODUCTS; ENVIRONMENTAL CONDITIONS; VANDALISM; FIRE; POWER FAILURE, IMPROPER POWER SUPPLY, POWER SURGES OR DIPS; IMPROPER USE, INSTALLATION, HANDLING, ALTERATION, STORAGE, THE FAILURE TO ABIDE BY ANY PRODUCT CLASSIFICATIONS OR CERTIFICATIONS, OR FAILURE TO COMPLY WITH ANY APPLICABLE STANDARDS, CODES, RECOMMENDATIONS, PRODUCT SPECIFICATION SHEETS OR INSTRUCTION SHEETS BY REV-A-SHELF®; FAILURES OR PERFORMANCE ISSUES ARISING FROM USE OF THE PRODUCTS WITH THIRD PARTY PRODUCTS, PROCESSES, OR MATERIALS SUPPLIED BY ANY END USER OR THIRD PARTY. THIS LIMITED WARRANTY ALSO DOES NOT COVER ANY REPLACEABLE BATTERIES INCLUDED WITH ITEMS OR CORDS OF ANY TYPE.



WARRANTY CONT'D

THERE ARE NO WARRANTIES WHICH EXTEND BEYOND THOSE STATED HEREIN. ANY IMPLIED WARRANTIES THAT MAY BE APPLICABLE TO PRODUCTS, INCLUDING IMPLIED WARRANTIES OF MERCHANTABILITY OR FITNESS FOR A PARTICULAR PURPOSE, ARE LIMITED IN DURATION TO THE DURATION OF THIS WARRANTY. SOME STATES DO NOT ALLOW LIMITATIONS ON HOW LONG AN IMPLIED WARRANTY LASTS, SO THE ABOVE LIMITATION MAY NOT APPLY TO YOU.

REV-A-SHELF SHALL NOT BE LIABLE FOR INCIDENTAL OR CONSEQUENTIAL LOSSES, DAMAGES OR EXPENSES, DIRECTLY OR INDIRECTLY ARISING FROM THE SALE, HANDLING OR USE OF THE PRODUCTS, OR FROM ANY OTHER CAUSE RELATING DIRECTLY OR INDIRECTLY THERETO, AND REV-A-SHELF'S LIABILITY IN ANY CASE IS EXPRESSLY LIMITED TO THE REPAIR OR REPLACEMENT (IN THE FORM ORIGINALLY SHIPPED) OF THE DEFECTIVE PRODUCTS, OR, AT REV-A-SHELF'S ELECTION, TO THE REPAYMENT OF, OR CREDIT OF, CLAIMANT WITH AN AMOUNT EQUAL TO THE PURCHASE PRICE OF SUCH PRODUCT, WHETHER SUCH CLAIMS ARE FOR BREACH OF WARRANTY, NEGLIGENCE, OR OTHERWISE. ANY ACTION FOR DAMAGE MUST BE COMMENCED AFTER THE ACCRUAL OF THE CAUSE OF ACTION. **SOME STATES DO NOT ALLOW THE EXCLUSION OR LIMITATION OF INCIDENTAL OR CONSEQUENTIAL DAMAGES, SO THE ABOVE LIMITATION OR EXCLUSION MAY NOT APPLY TO YOU. THIS WARRANTY GIVES YOU SPECIFIC LEGAL RIGHTS, AND YOU MAY ALSO HAVE OTHER RIGHTS WHICH VARY FROM STATE TO STATE.**

To make a warranty claim, please contact Rev-A-Shelf® at 1.800.626.1126 and be prepared to answer questions regarding the Product and its condition, the original date of purchase, and from whom you purchased the Product. Rev-A-Shelf® reserves the right to request proof of purchase, in its sole discretion.

Rev-A-Shelf® shall have the right to require the claimant, at claimant's expense, to return to a designated factory for inspection or repair any Product claimed to be defective. The determination of Rev-A-Shelf® as to the existence of a valid claim for replacement, repair, refund, or Rev-A-Shelf® credit under this warranty, shall be conclusive. Claimant shall be responsible for the labor costs in removing a defective Product. Claimant shall also be responsible for the shipping and handling costs associated with any repaired product or replacement product. In limited circumstances, Rev-A-Shelf®, in its sole discretion, may waive such fees. Replacement parts shall be furnished F.O.B. factory. Any Product that is returned without production code stickers or stamps will automatically be denied under these warranty terms.

DISCLAIMER

Warranty Effective Date: March 15th, 2020

Rev-A-Shelf makes every effort to verify and ensure that our product specifications are correct and up to date. However we reserve the right to make engineering changes that affect any critical product dimension without notice. Rev-A-Shelf shall not be held liable for any cost related to such change, misprint, instruction, or product template error.



WE ARE HONORED!

Rev-A-Shelf is a proud sponsor of the nonprofit organization, Homes for Our Troops, which builds specially adapted, mortgage-free homes nationwide for the most severely injured Veterans of Post 9/11, to enable them to rebuild their lives. During the three year partnership, Rev-A-Shelf will work with Homes for Our Troops' Veterans and general contractors to furnish all homes with cabinet storage and organization accessories, providing optimal accessibility for home recipients. "We are honored to participate in this program to support our nation's brave service members," said David Noe, general manager of Rev-A-Shelf, LLC. "Homes for Our Troops is doing an excellent service for America's injured Veterans, and we are proud to partner with this wonderful organization."

(HFOT) is a privately funded 501(c) (3) nonprofit organization that builds specially adapted, mortgage-free homes nationwide for the most severely injured Veterans from Iraq and Afghanistan. Most of these Veterans have sustained life-altering injuries including multiple limb amputations, partial or full paralysis, and/or severe traumatic brain injury (TBI). These homes restore some of the freedom and independence our Veterans sacrificed while defending our country, and enable them to focus on their family, recovery, and rebuilding their lives. Since its founding in 2004, nearly 90 cents of every dollar donated to HFOT has gone directly to our program services for Veterans. HFOT builds these homes where the Veteran chooses to live, and continues its relationship with the Veterans after home delivery to assist them with rebuilding their lives. For more information about Rev-A-Shelf's partnership with Homes for Our Troops, visit www.hfotusa.org.

